



US00D684465S

(12) **United States Design Patent**
Vernon et al.

(10) **Patent No.:** **US D684,465 S**
(45) **Date of Patent:** **** Jun. 18, 2013**

- (54) **FOOD CONTAINER**
- (71) Applicant: **Eco-Products, Inc.**, Boulder, CO (US)
- (72) Inventors: **Luke Vernon**, Boulder, CO (US); **Paul Santoski**, Boulder, CO (US); **Steve Rosse**, Boulder, CO (US)
- (73) Assignee: **Eco-Products, Inc.**, Boulder, CO (US)
- (**) Term: **14 Years**
- (21) Appl. No.: **29/434,120**
- (22) Filed: **Oct. 10, 2012**
- (51) **LOC (9) Cl.** **09-03**
- (52) **U.S. Cl.**
USPC **D9/432; D9/431; D9/421**
- (58) **Field of Classification Search**
USPC D9/430-433, 414, 418, 420-424; D3/272, D3/273, 302; 206/267, 269, 270, 273, 299, 206/737, 740, 822; 229/100, 101, 101.3, 229/106, 108-112
See application file for complete search history.

- D519,366 S * 4/2006 Epstein D9/431
- D561,023 S * 2/2008 Jacxsens D9/431
- D618,415 S * 6/2010 Greseth et al. D34/1
- D630,508 S * 1/2011 Hubbard et al. D9/433
- D631,742 S * 2/2011 Hubbard et al. D9/433
- 2004/0182916 A1* 9/2004 Roseth 229/155

* cited by examiner

Primary Examiner — Susan Bennett Hattan

Assistant Examiner — Vy Koenig

(74) *Attorney, Agent, or Firm* — Holland & Hart LLP

(57) **CLAIM**

The ornamental design for a food container, as shown and described.

DESCRIPTION

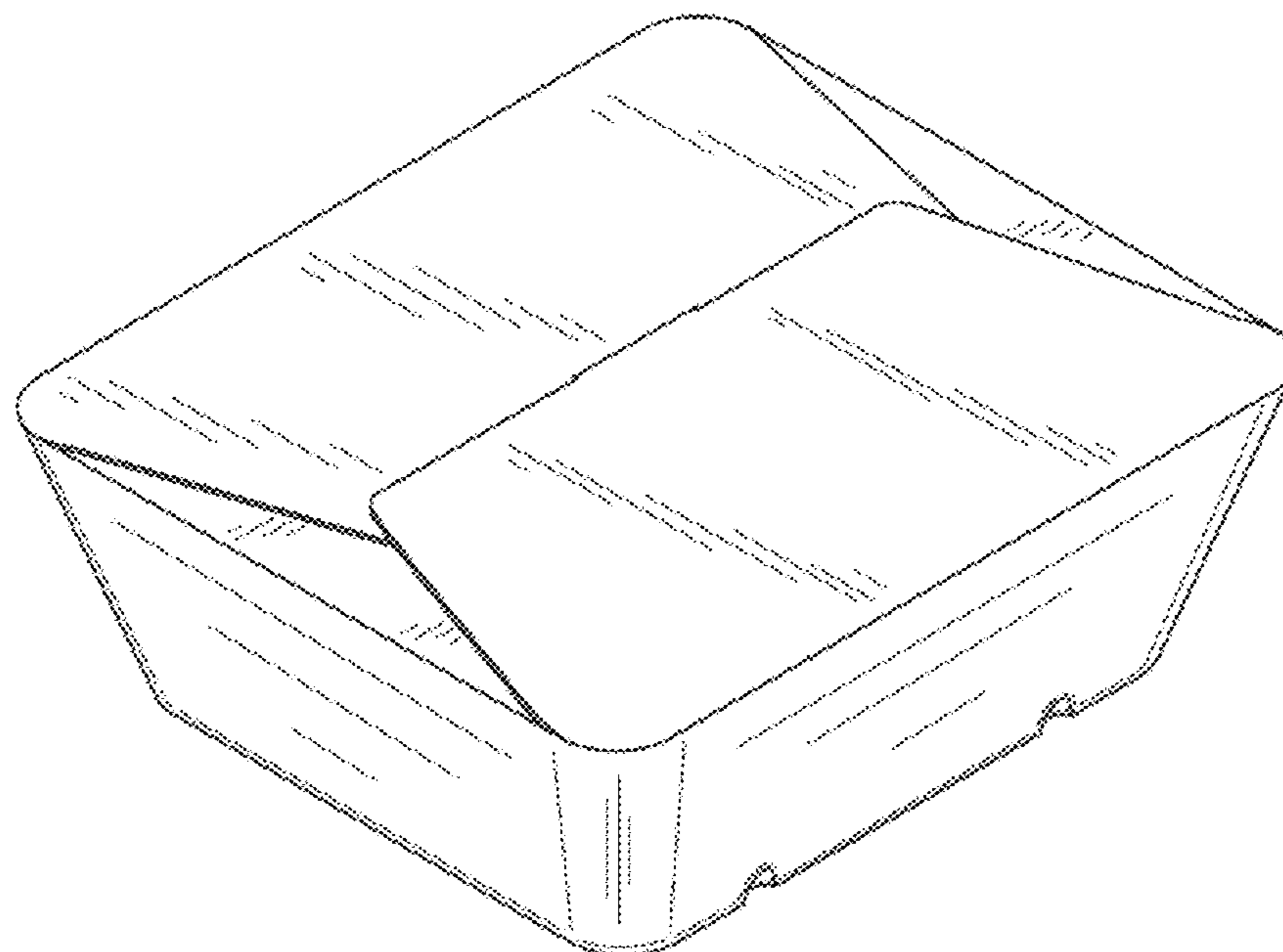
FIG. 1 is a top perspective view of the food container, showing my new design;
 FIG. 2 is a front elevation view of the design illustrated in FIG. 1;
 FIG. 3 is a rear elevation view of the design illustrated in FIG. 1;
 FIG. 4 is a right side elevation view of the design illustrated in FIG. 1;
 FIG. 5 is a left side elevation view of the design illustrated in FIG. 1;
 FIG. 6 is a top plan view of the design illustrated in FIG. 1;
 FIG. 7 is a bottom plan view of the design illustrated in FIG. 1; and,
 FIG. 8 is a top perspective view of the design illustrated in FIG. 1 showing the flaps of the design in an alternate position.

1 Claim, 6 Drawing Sheets

(56) **References Cited**

U.S. PATENT DOCUMENTS

- 1,908,251 A * 5/1933 Inman et al. 229/114
- 2,042,796 A * 6/1936 Murray 229/122.33
- 3,412,889 A * 11/1968 Eicholtz et al. 220/788
- D252,179 S * 6/1979 Cherry D7/629
- D278,412 S * 4/1985 Yeung D9/420
- D348,394 S * 7/1994 Dreyer D9/425
- 5,411,204 A * 5/1995 DeMay 229/114
- D422,412 S * 4/2000 Greene D3/314



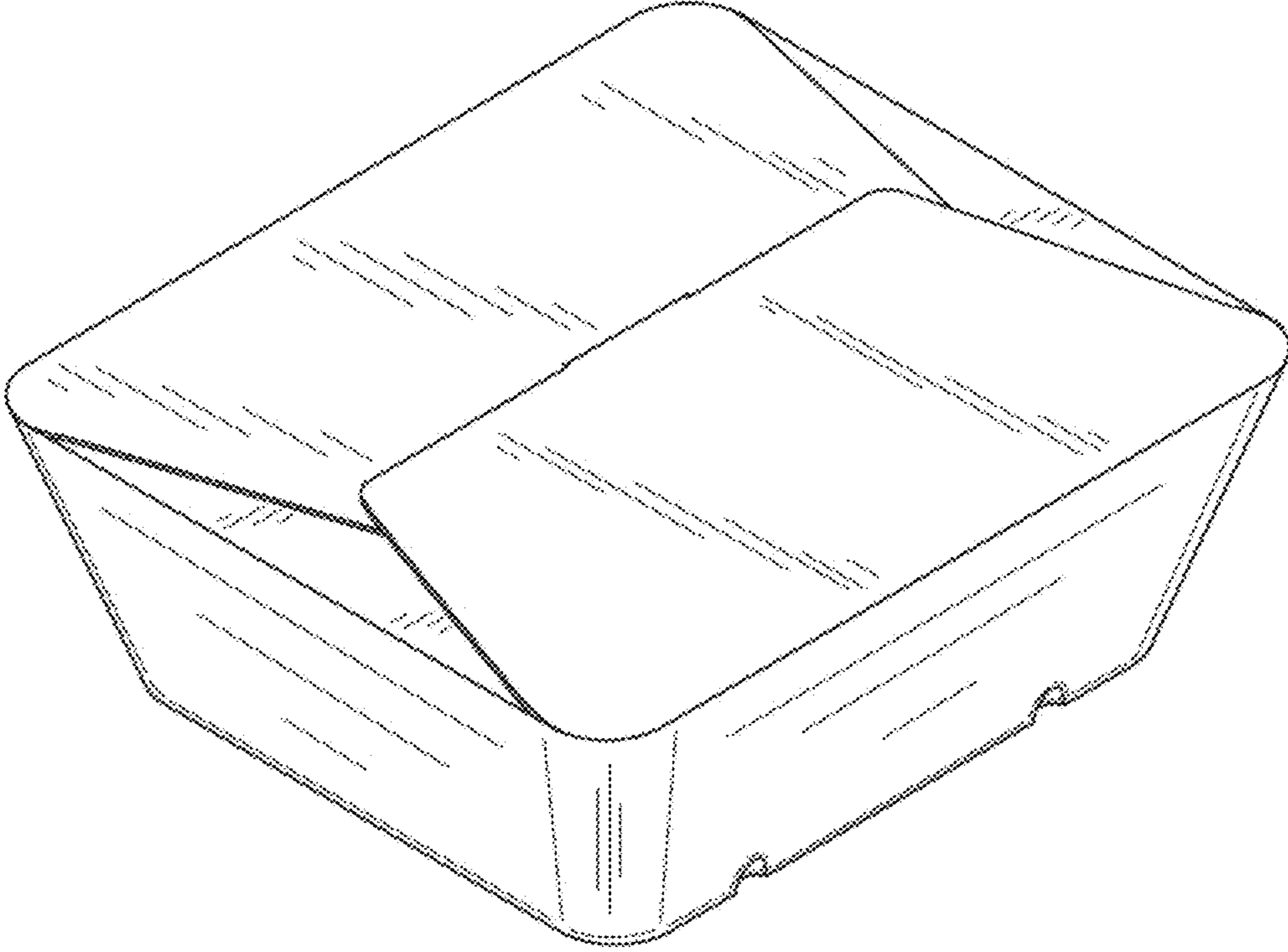


FIG. 1

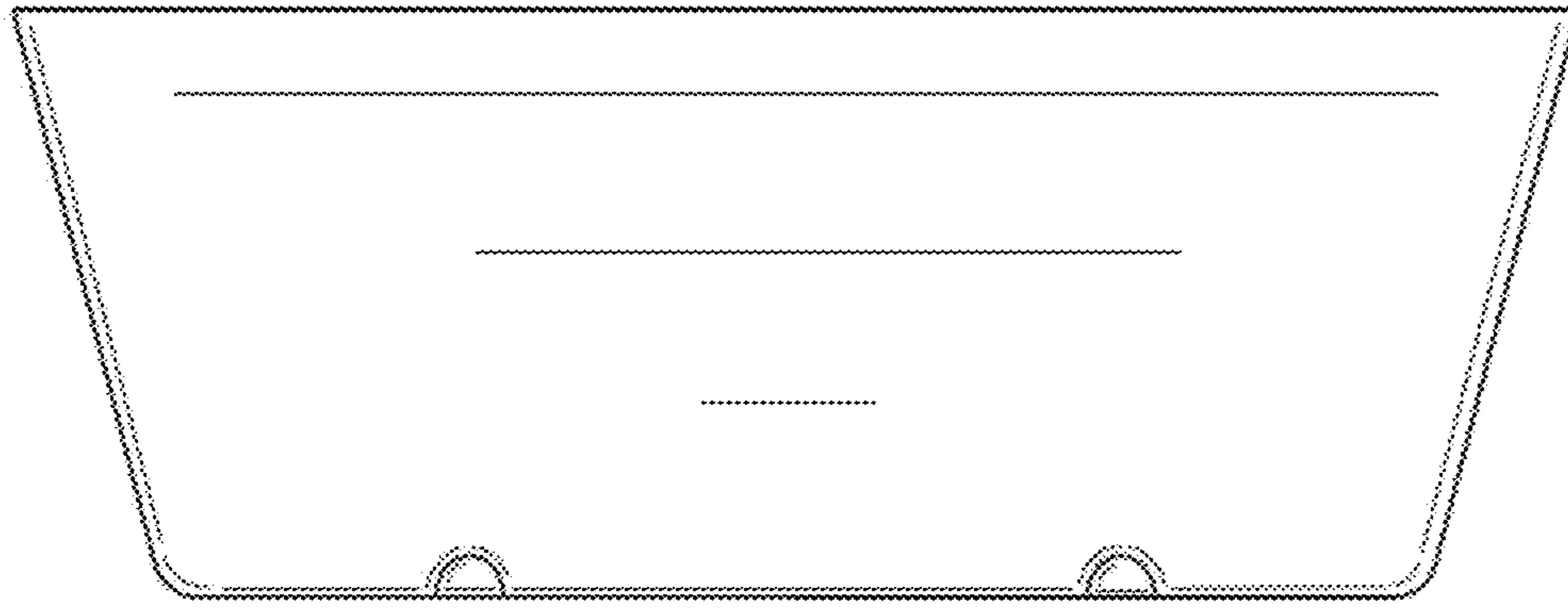


FIG. 2

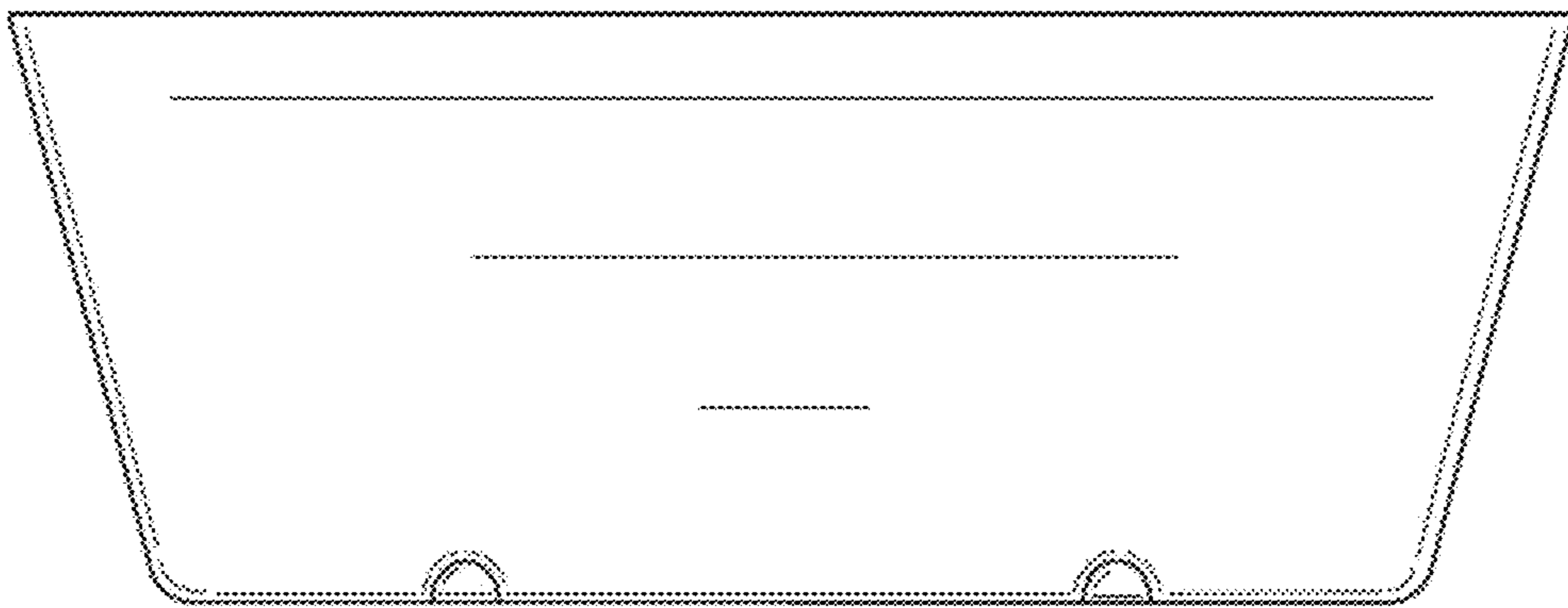


FIG. 3

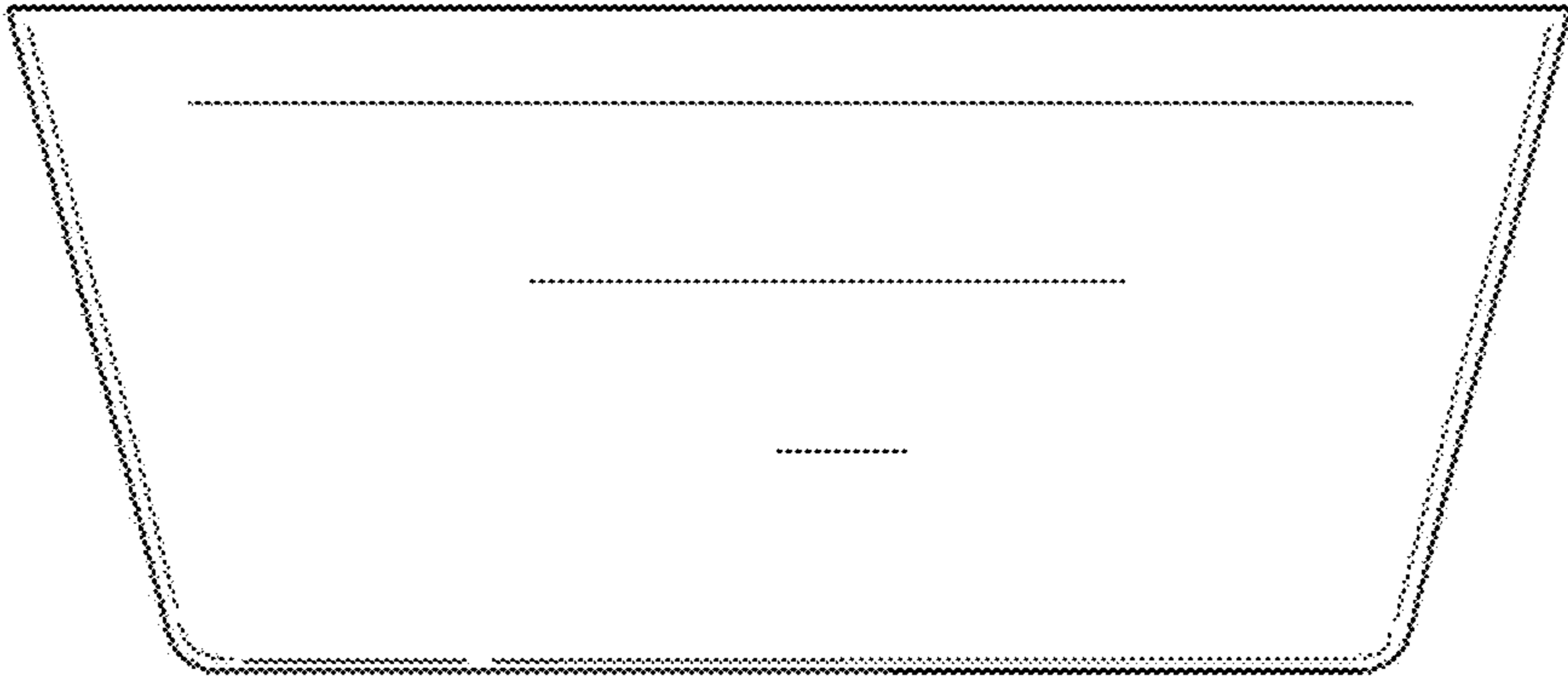


FIG. 4

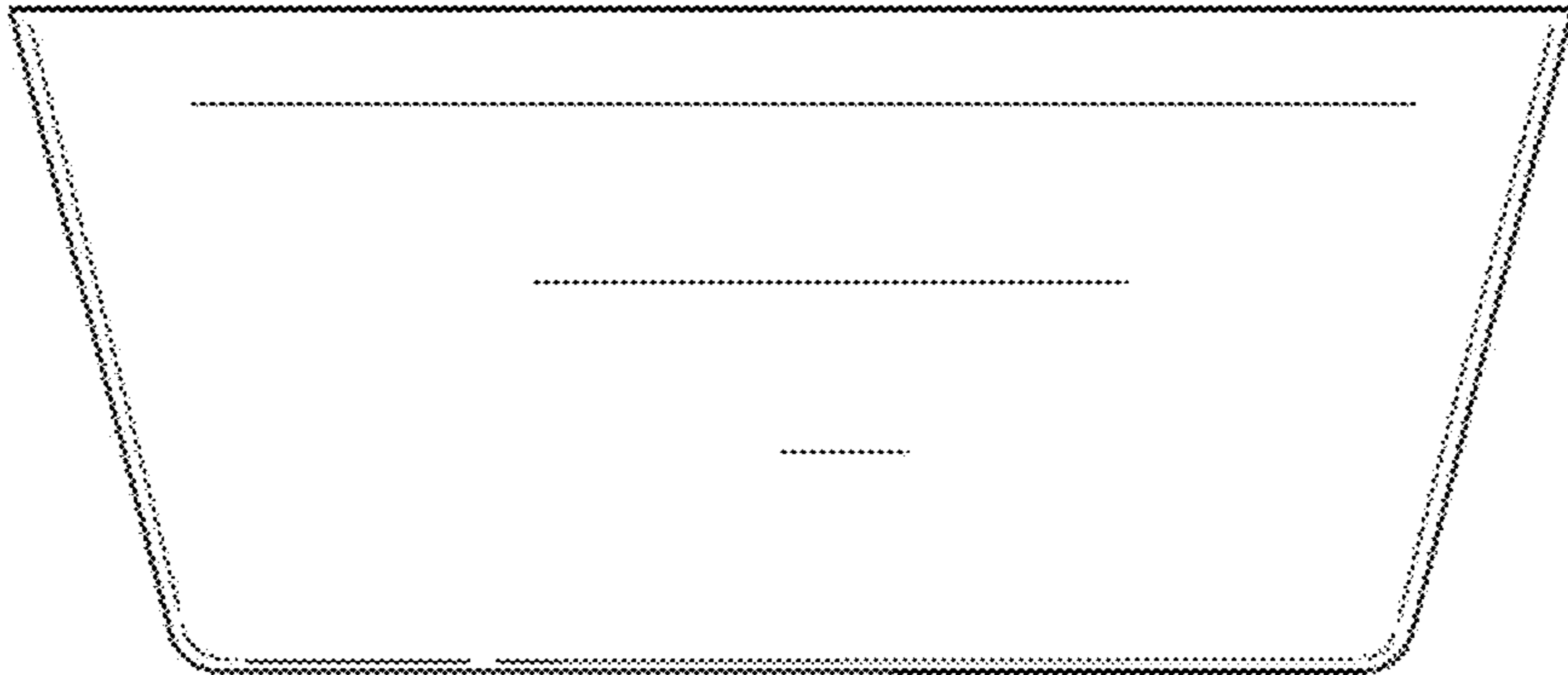


FIG. 5

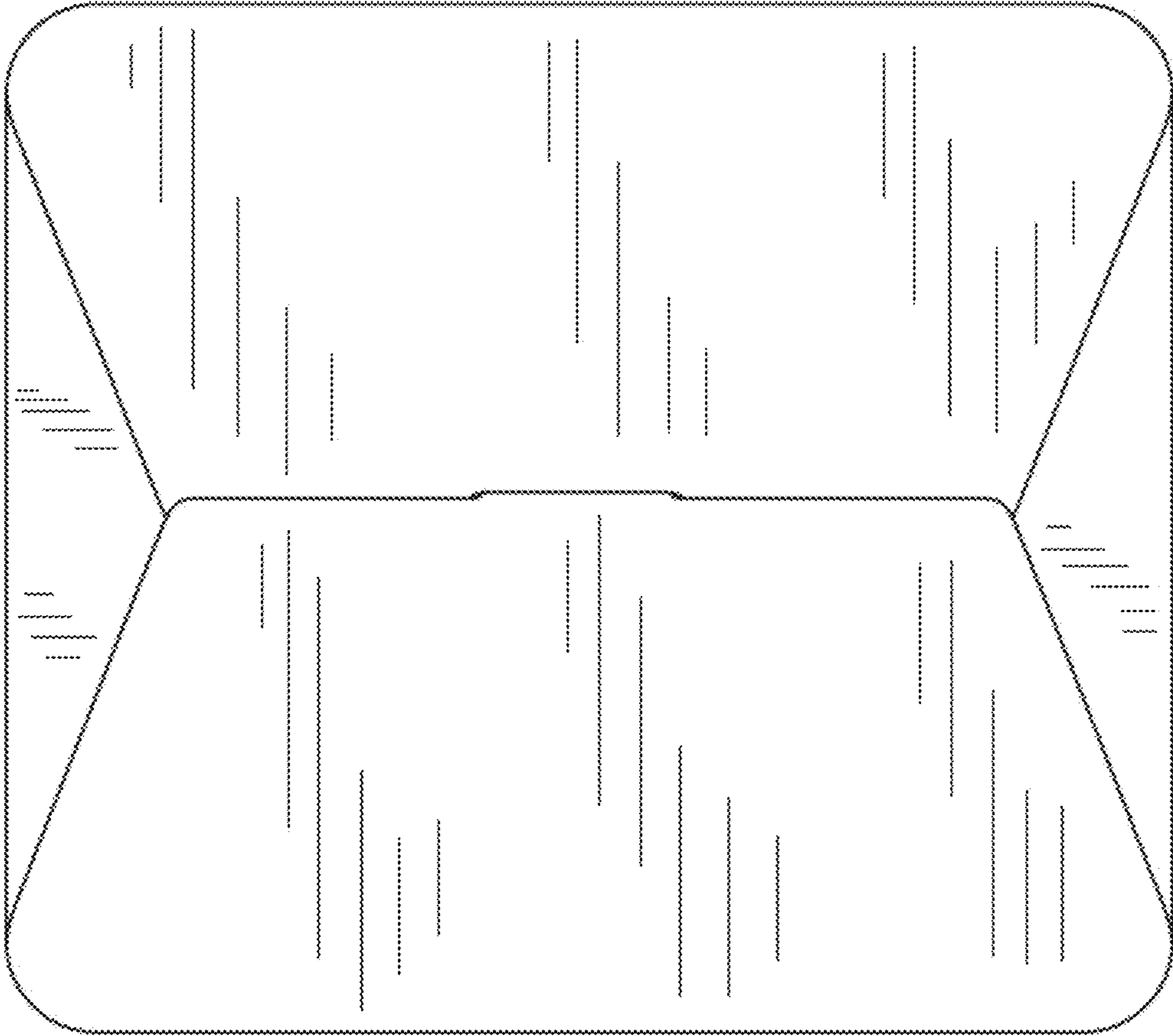


FIG. 6

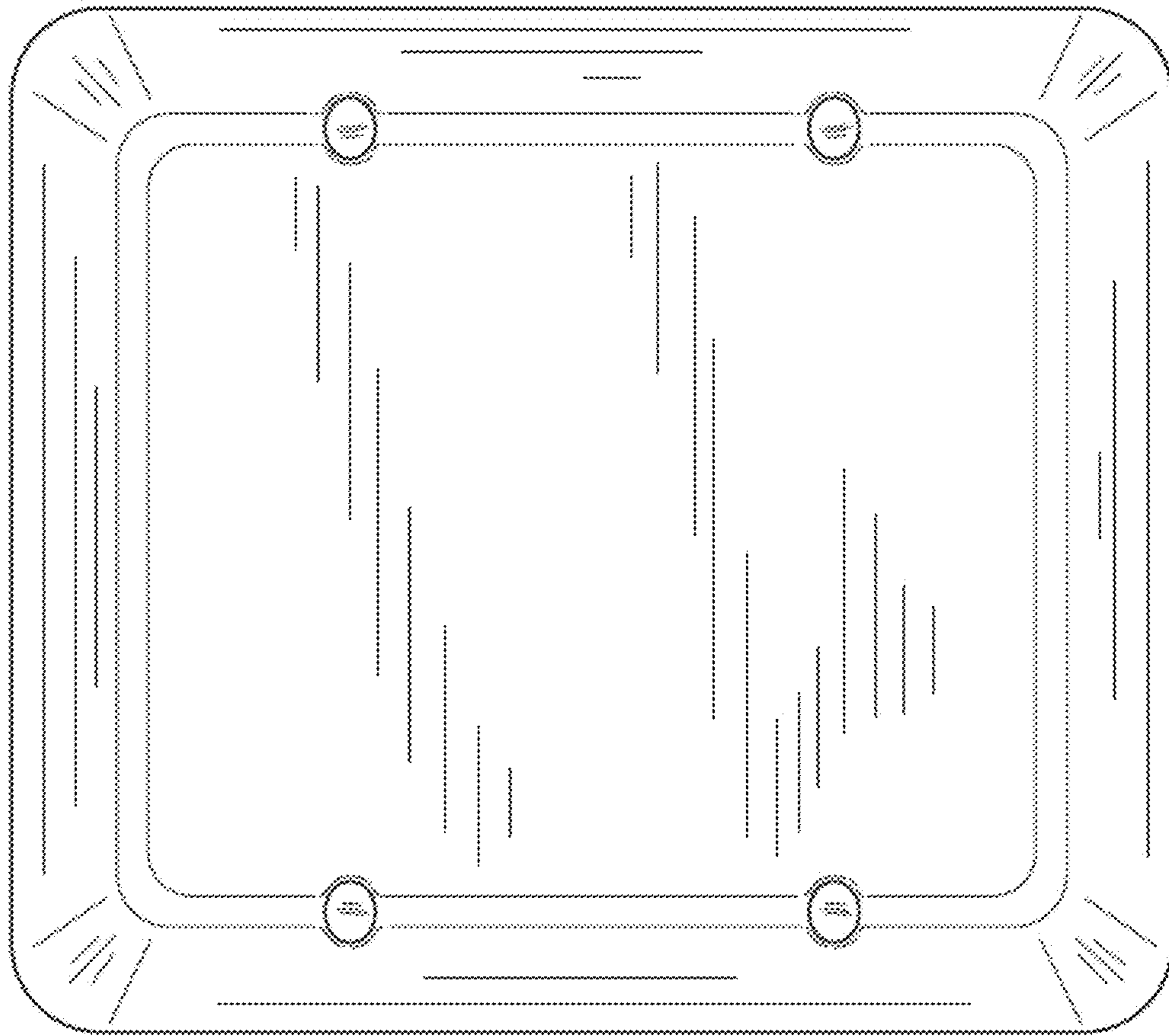


FIG. 7

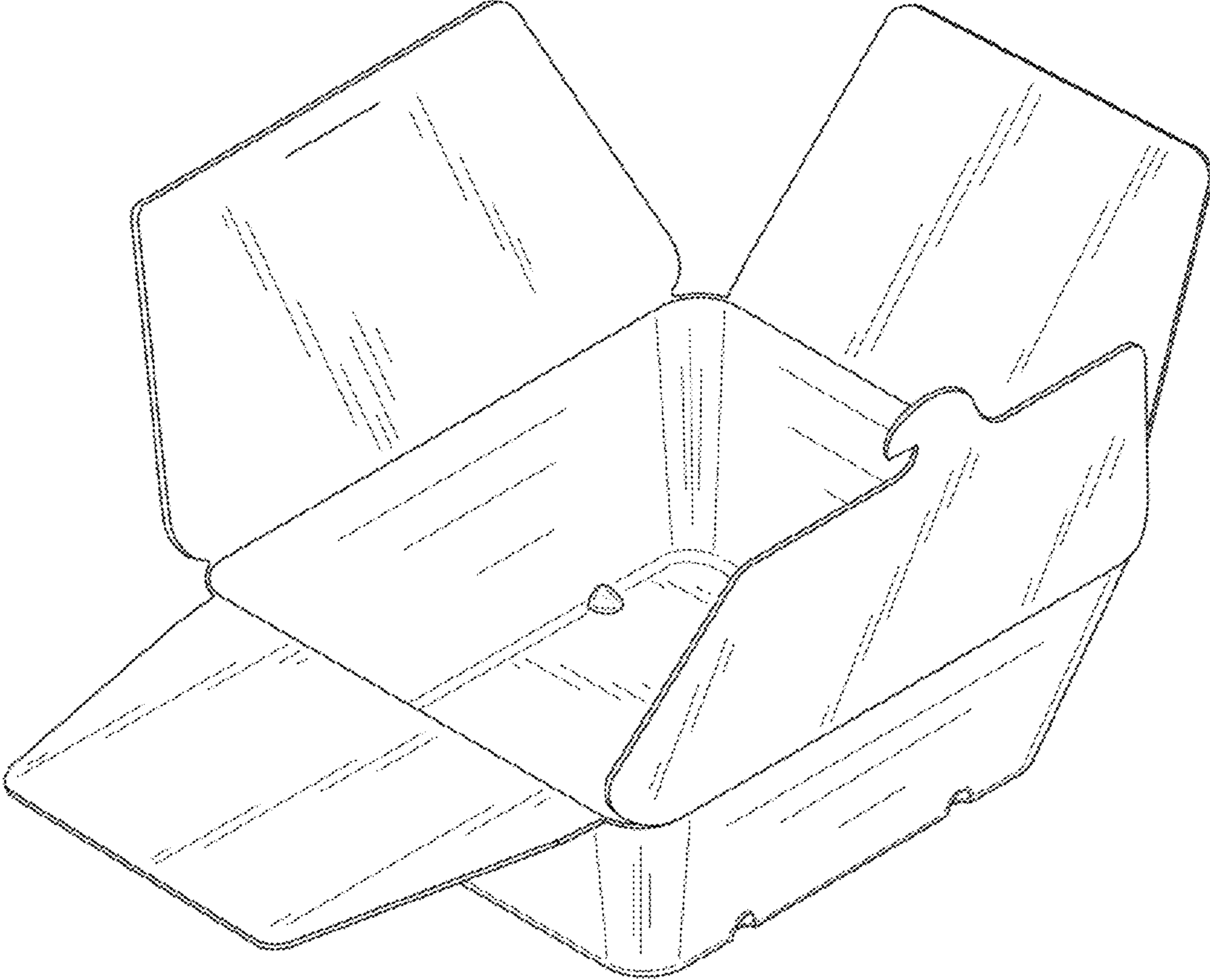


FIG. 8