



US00D684463S

(12) **United States Design Patent**
Elfstrum et al.

(10) **Patent No.:** **US D684,463 S**
(45) **Date of Patent:** **** Jun. 18, 2013**

(54) **DISPENSER**

(76) Inventors: **Erik Elfstrum**, Westfield, NJ (US);
John Dimond, New York, NY (US)

(**) Term: **14 Years**

(21) Appl. No.: **29/415,708**

(22) Filed: **Mar. 13, 2012**

(51) **LOC (9) Cl.** **09-03**

(52) **U.S. Cl.**
USPC **D9/430**

(58) **Field of Classification Search**
USPC D9/430-433, 414, 418, 420-424; D3/272,
D3/273, 302; 206/267, 269, 270, 273, 299,
206/737, 740, 822; 229/100, 101, 101.3,
229/106, 108-112
See application file for complete search history.

(56) **References Cited**

U.S. PATENT DOCUMENTS

1,457,770	A *	6/1923	Dodge	229/92
D139,882	S *	1/1945	Helbein	D9/426
2,410,161	A *	10/1946	Helbein	206/758
3,102,465	A	9/1963	Montesano		
3,482,760	A *	12/1969	Boehm et al.	229/115
3,824,322	A	7/1974	Fiorella		
3,891,136	A *	6/1975	Woeste	229/115
4,202,485	A *	5/1980	Fremion	229/112
4,253,601	A *	3/1981	Kossoff	229/115
D267,544	S *	1/1983	Neto et al.	D9/431
D309,263	S *	7/1990	Markovitz	D9/432
5,113,765	A *	5/1992	Carey et al.	102/336
5,125,534	A	6/1992	Rose et al.		
5,440,976	A	8/1995	Giuliano et al.		
5,809,868	A	9/1998	Milone		
5,866,185	A	2/1999	Burkett		
5,979,657	A	11/1999	Bumbera		
D437,221	S *	2/2001	Sagel et al.	D9/430
D439,838	S *	4/2001	Sagel et al.	D9/430

D463,976	S *	10/2002	Sipinen et al.	D9/733
D498,967	S	11/2004	White		
6,966,252	B2	11/2005	Hamiel et al.		
D529,815	S *	10/2006	Frasier et al.	D9/636
7,219,830	B2 *	5/2007	West	229/115
D575,635	S *	8/2008	Rozenzweig	D9/418
D586,454	S *	2/2009	Nishio et al.	D23/393
D637,904	S *	5/2011	Anderson et al.	D9/430
D650,271	S *	12/2011	Cluett et al.	D9/432
D672,233	S *	12/2012	Green	D9/431
2005/0241490	A1	11/2005	Hamiel et al.		
2008/0259718	A1	10/2008	Agardici et al.		
2011/0183042	A1	7/2011	Teng		

OTHER PUBLICATIONS

International Search Report dated Dec. 27, 2012 from PCT/US2012/058025.

* cited by examiner

Primary Examiner — Susan Bennett Hattan

Assistant Examiner — Vy Koenig

(74) *Attorney, Agent, or Firm* — Brad M. Behar & Assoc. PLLC

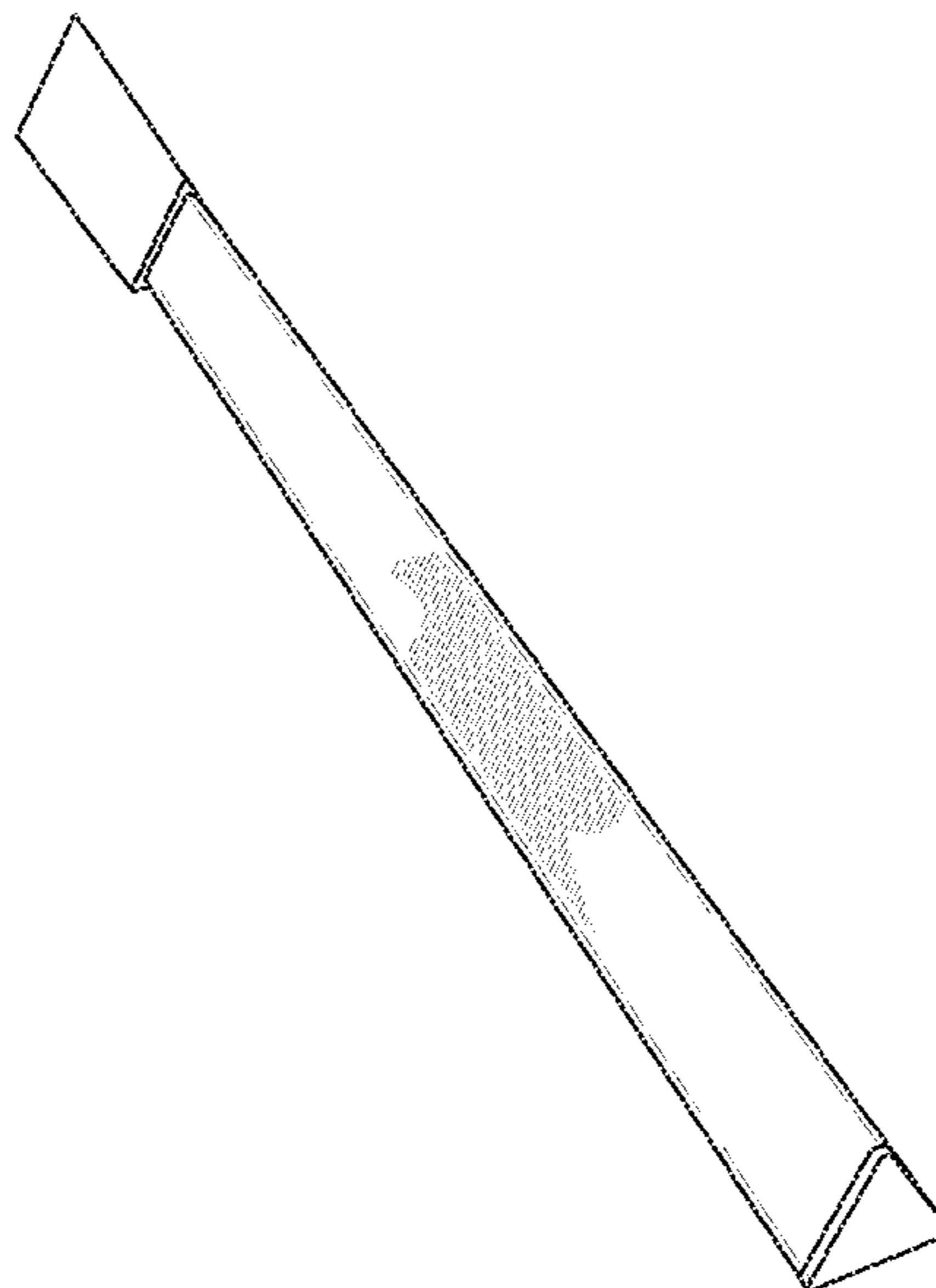
(57) **CLAIM**

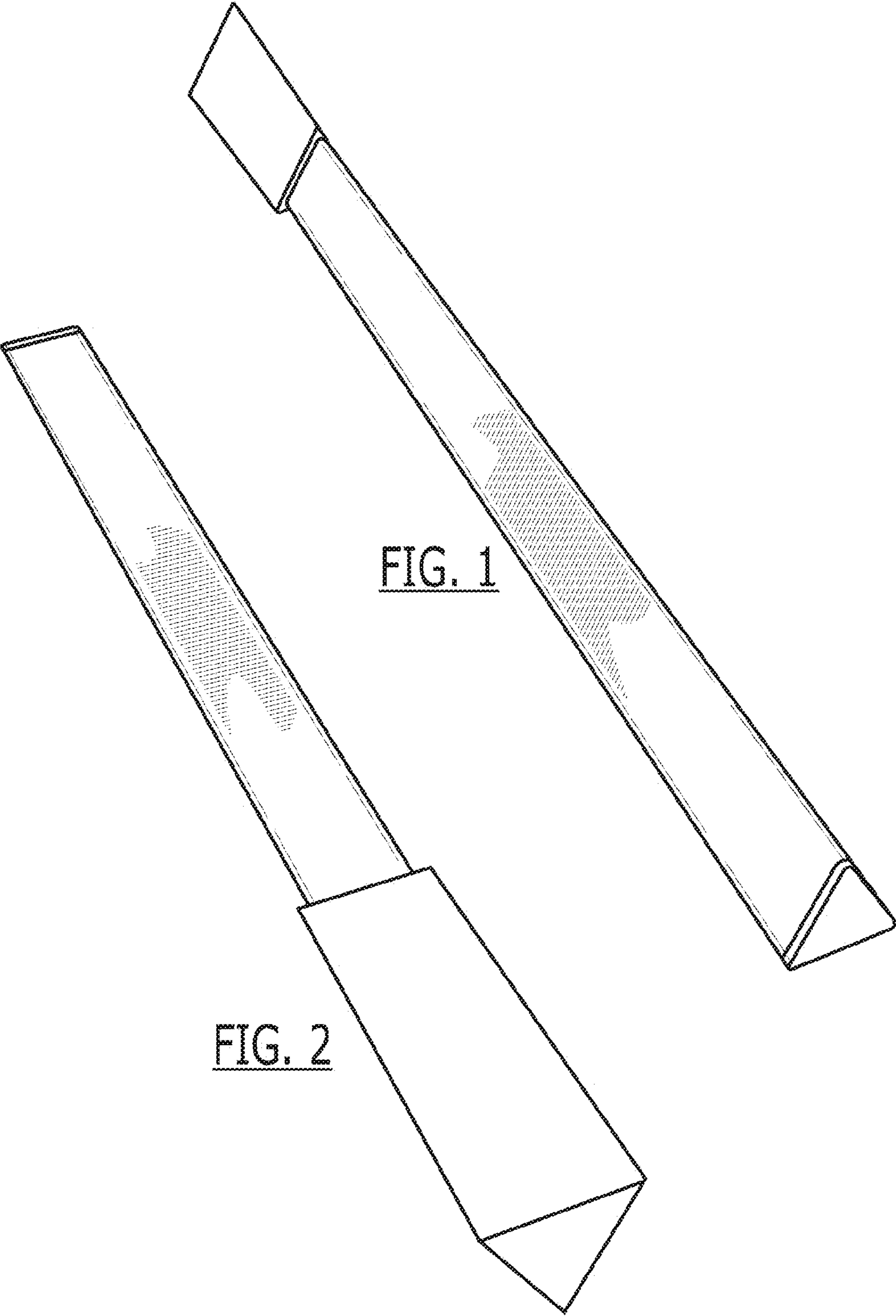
The ornamental design for a dispenser, as shown and described.

DESCRIPTION

FIG. 1 is a perspective view of an embodiment of a dispenser showing our new design;
FIG. 2 is an inverted perspective view thereof;
FIG. 3 is a front elevation view thereof;
FIG. 4 is a back elevation view thereof,
FIG. 5 is a right side elevation view thereof, the opposite side being identical;
FIG. 6 is a bottom elevation view thereof; and,
FIG. 7 is a top elevation thereof.

1 Claim, 3 Drawing Sheets





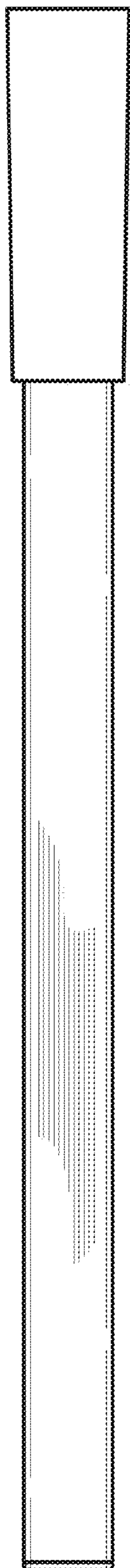


FIG. 3

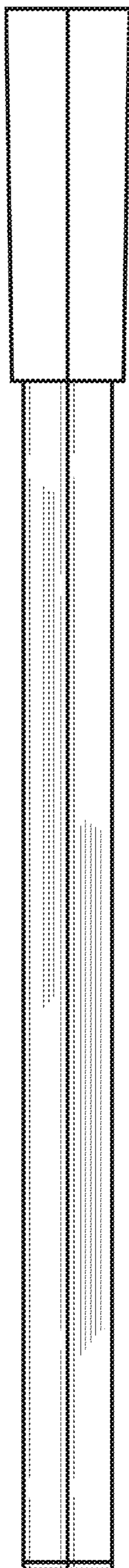


FIG. 4

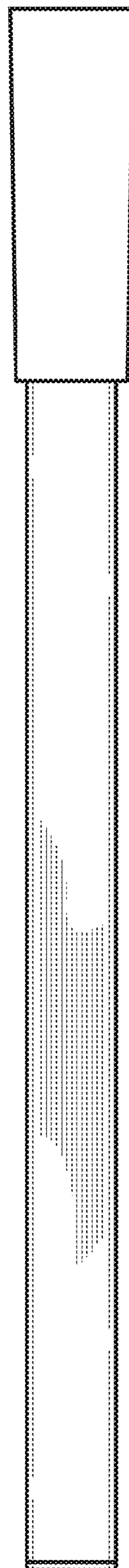


FIG. 5

