



US00D684462S

(12) **United States Design Patent**
Hite

(10) **Patent No.:** **US D684,462 S**
(45) **Date of Patent:** **** Jun. 18, 2013**

(54) **CONTAINER**

(75) Inventor: **Laura E. Hite**, Trabuco Canyon, CA
(US)

(73) Assignee: **Cosrich Group, Inc.**, Sun Valley, CA
(US)

(**) Term: **14 Years**

(21) Appl. No.: **29/417,115**

(22) Filed: **Mar. 30, 2012**

(51) **LOC (9) Cl.** **09-03**

(52) **U.S. Cl.**
USPC **D9/429; D9/418**

(58) **Field of Classification Search**
USPC 222/92; 206/6.1, 5.1, 303, 530-538,
206/566, 581, 823, 459.5; 220/8, 4.26, 4.27,
220/253, 288, 376, 380, 907; 229/4.5;
132/293-294, 315; D28/7-8, 76-82;
D3/203.1-203.8, 201, 205; D9/428, 414,
D9/420-424, 503, 504, 521, 337, 780; D21/312
See application file for complete search history.

(56) **References Cited**

U.S. PATENT DOCUMENTS

D348,589 S * 7/1994 Cautereels et al. D7/558
D444,351 S * 7/2001 Lillelund et al. D7/629
D480,303 S * 10/2003 Tompkins D9/428

D515,429 S * 2/2006 Pace D9/529
D531,036 S * 10/2006 Bried et al. D9/504
D611,340 S * 3/2010 Bizzell D9/756
D618,562 S * 6/2010 Bizzell et al. D9/756
D621,603 S * 8/2010 Traylor D3/203.2
D637,903 S * 5/2011 Ghiotti et al. D9/428
7,934,449 B2 * 5/2011 Anderson et al. 99/426
D665,252 S * 8/2012 Mulready D9/418
D666,461 S * 9/2012 Siegel D7/629
2008/0128313 A1 * 6/2008 Anderson et al. 206/565

* cited by examiner

Primary Examiner — Thomas Johannes

(74) *Attorney, Agent, or Firm* — Frost Brown Todd LLC

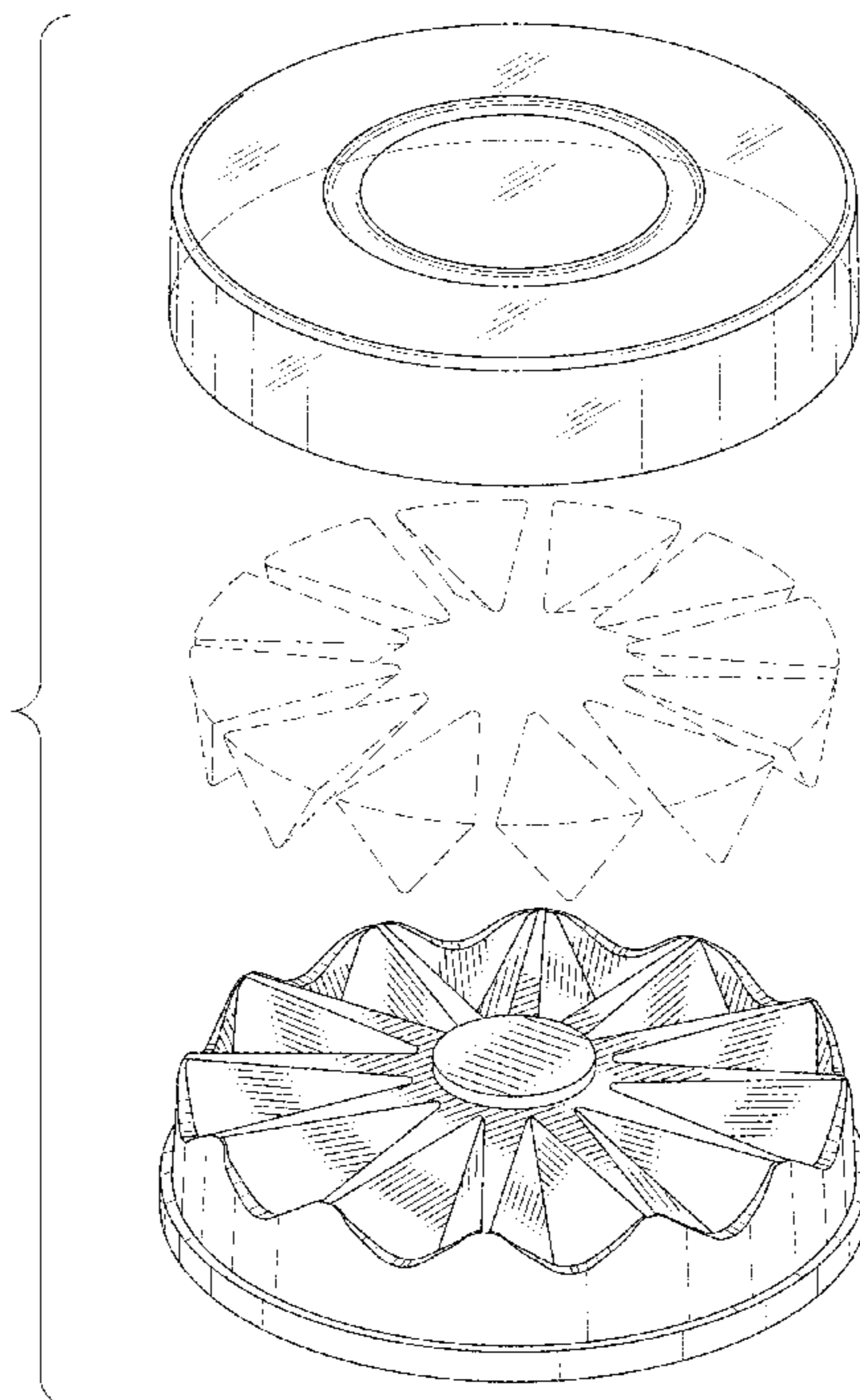
(57) **CLAIM**

The ornamental design for a container, as shown and described.

DESCRIPTION

FIG. 1 is a top, exploded perspective view of a container, showing my new design;
FIG. 2 is a bottom, exploded perspective view thereof;
FIG. 3 is a left elevational view thereof, the right, front, and back elevational views being mirror images thereof;
FIG. 4 is a top plan view thereof;
FIG. 5 is a bottom plan view thereof; and,
FIG. 6 is a top plan view of the base portion thereof.
The wedge crayons shown in broken lines are unclaimed environment, and form no part of the claimed design.

1 Claim, 6 Drawing Sheets



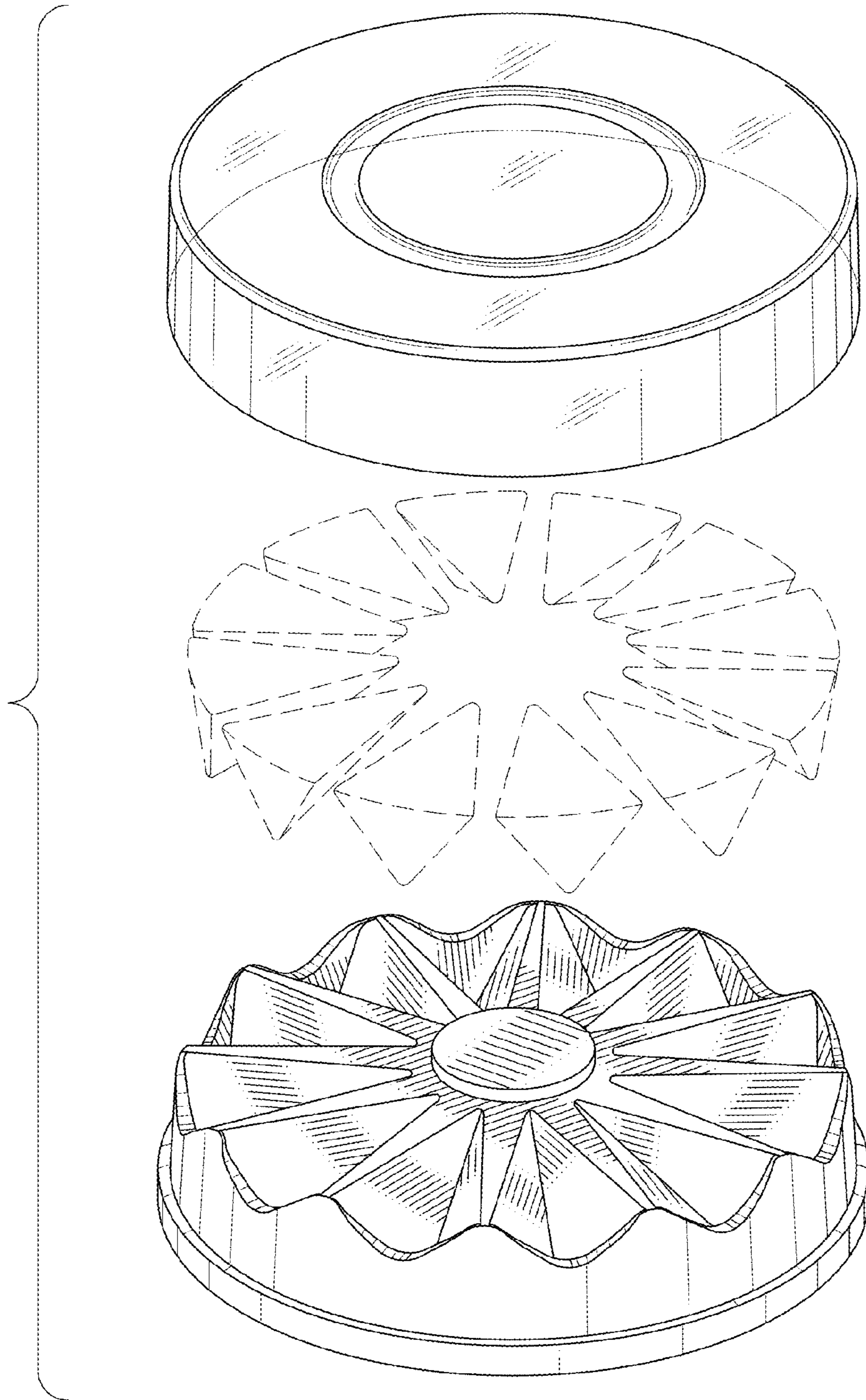


Fig. 1

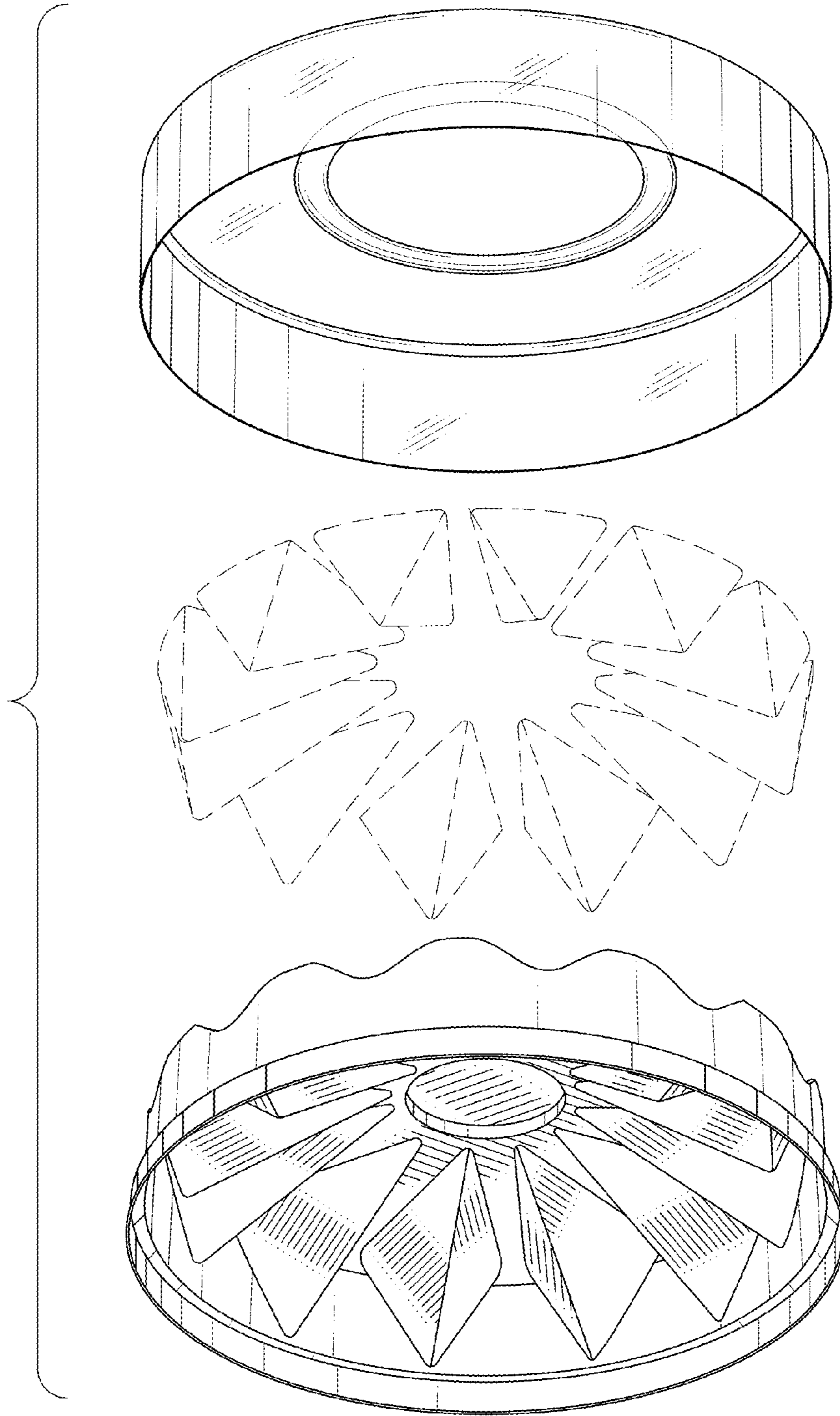


Fig.2

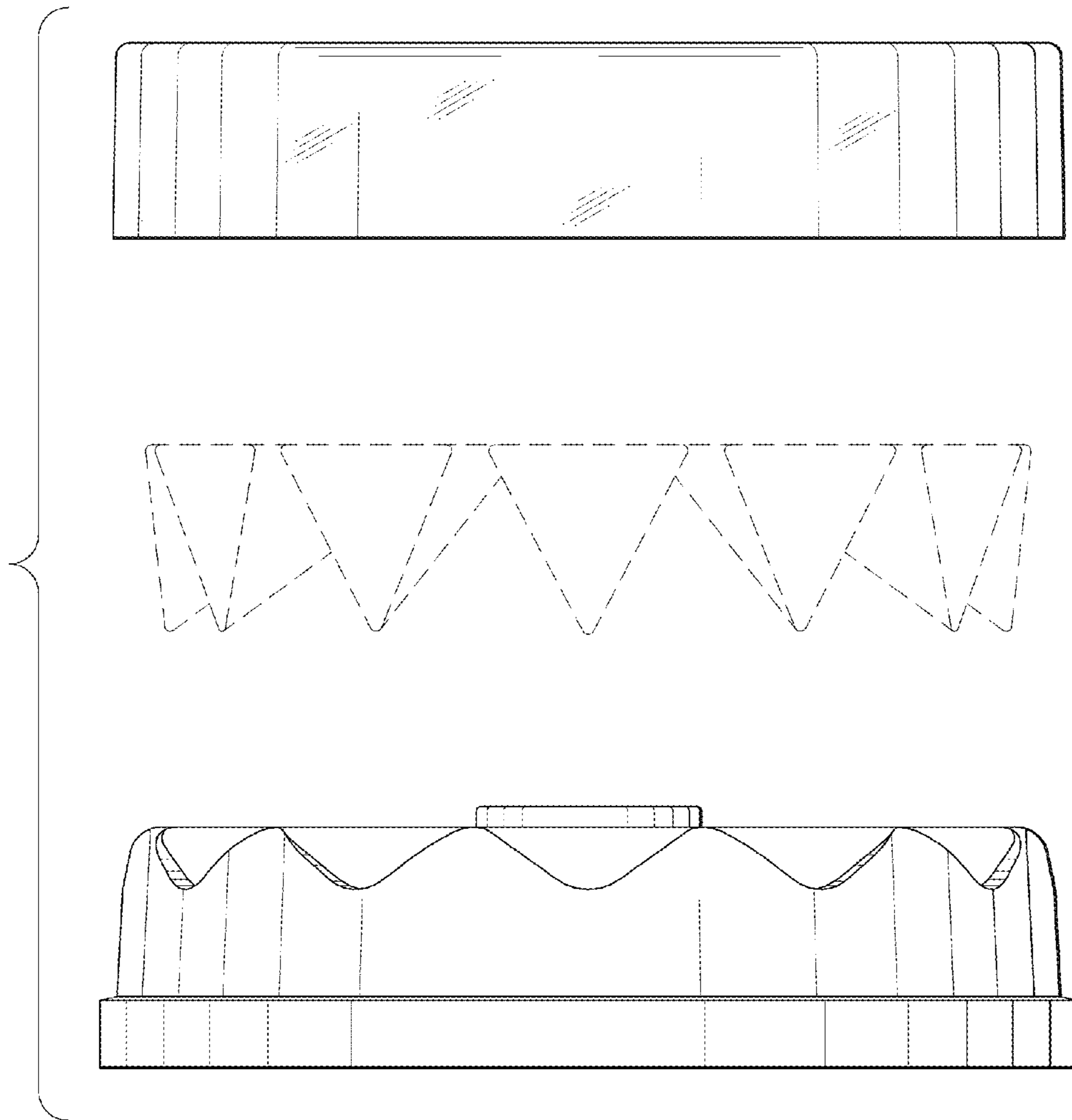


Fig.3

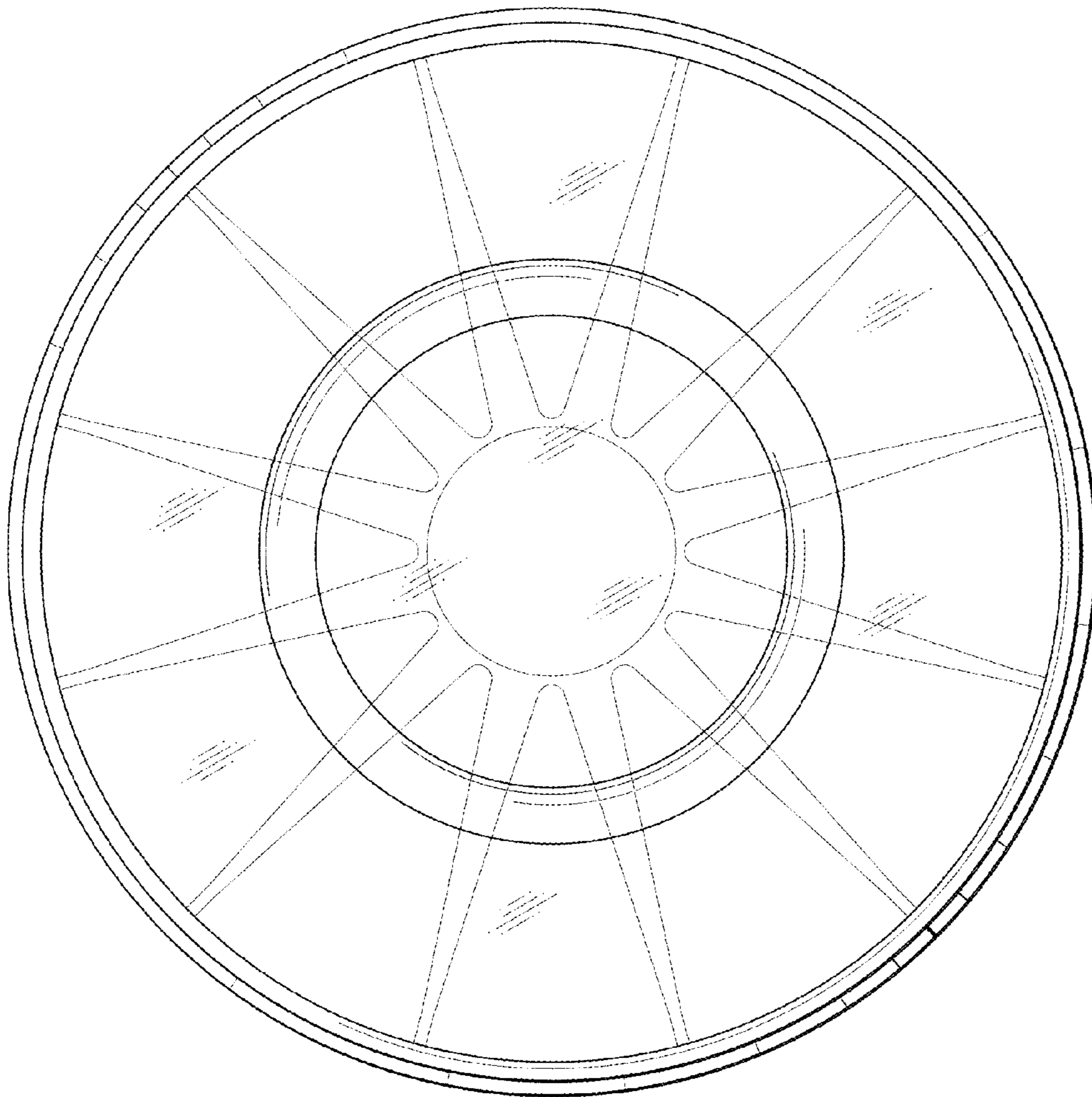


Fig.4

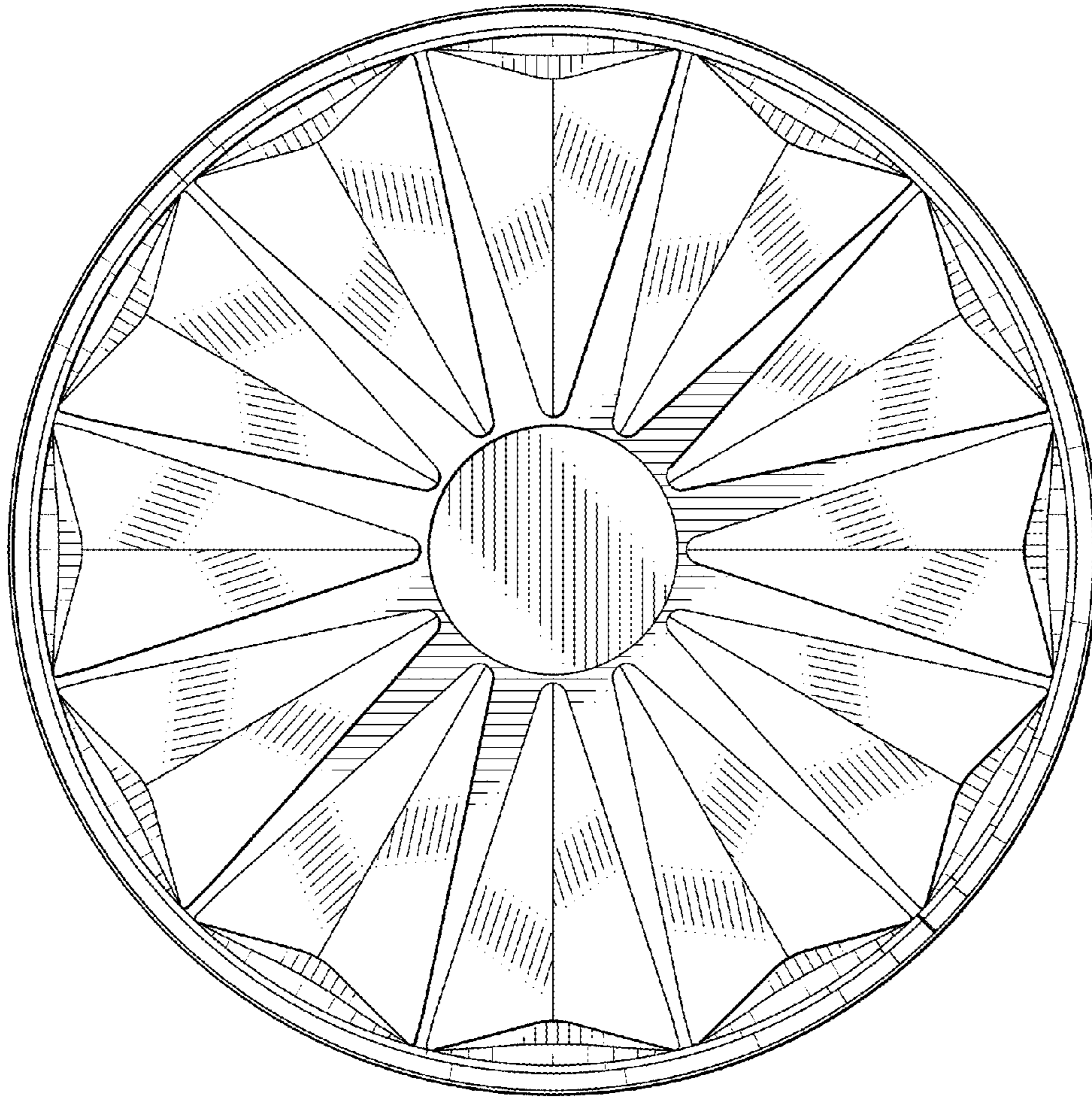


Fig.5

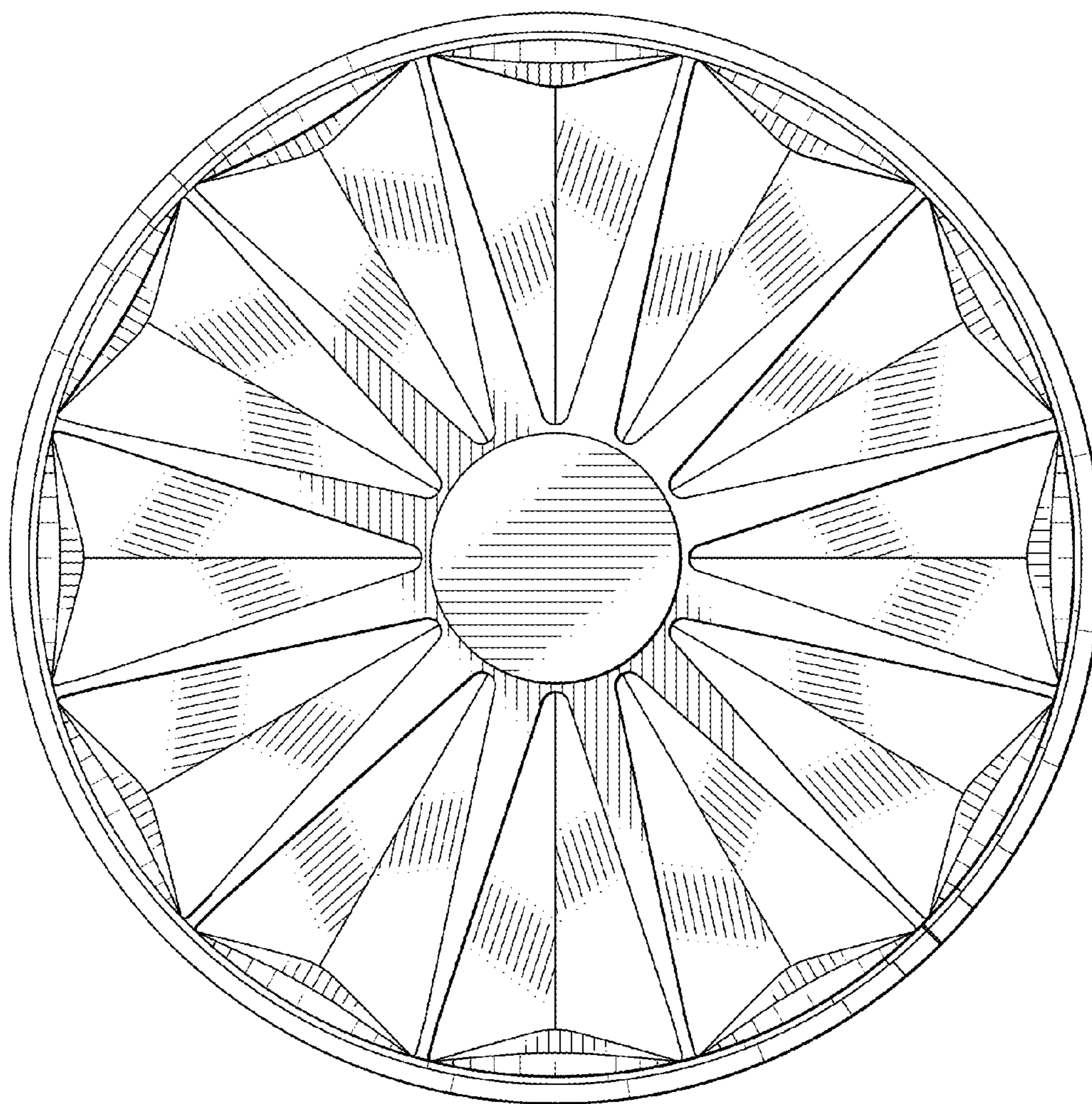


Fig.6