



US00D684459S

(12) **United States Design Patent**
Stowe et al.

(10) **Patent No.:** **US D684,459 S**
(45) **Date of Patent:** **** Jun. 18, 2013**

(54) **FOOD CONTAINER**

(75) Inventors: **Curtis H. Stowe**, Gretna, NE (US);
Kasey Fuller, Council Bluffs, IA (US);
Kenneth Meissbach, Lawrence, KS
(US); **Jason Rowe**, Evansville, IN (US)

(73) Assignee: **ConAgra Foods RDM, Inc.**, Omaha,
NE (US)

(**) Term: **14 Years**

(21) Appl. No.: **29/425,691**

(22) Filed: **Jun. 26, 2012**

(51) **LOC (9) Cl.** **09-03**

(52) **U.S. Cl.**
USPC **D9/428**

(58) **Field of Classification Search**
USPC D9/414, 415, 416, 420, 423, 424,
D9/425, 429, 432, 439, 440, 455, 506, 518,
D9/522, 523, 529, 530, 544, 545, 553, 564,
D9/566, 763, 753, 757, 760, 761, 764, 772,
D9/773, 776; 206/216, 232, 470, 461, 463,
206/469, 543, 557, 771, 806; 215/275,
381-384; D7/316, 500, 509, 542, 543, 560,
D7/561, 566, 585, 586, 587; 220/574, 676,
220/575

See application file for complete search history.

(56) **References Cited**

U.S. PATENT DOCUMENTS

D21,612 S * 6/1892 Underhill D9/502
866,436 A * 9/1907 Cox 215/275

D102,704 S * 1/1937 Stallings et al. D7/615
D190,355 S * 5/1961 Meagher D1/102
D206,358 S * 11/1966 Griese, Jr. D9/428
D221,625 S * 8/1971 Kinney et al. D9/428
D237,136 S * 10/1975 Swett et al. D7/615
4,193,494 A * 3/1980 Green 206/217
D280,600 S * 9/1985 Earl D9/503
D361,956 S * 9/1995 Moore D11/152
D468,200 S * 1/2003 Kim et al. D9/428
D655,573 S * 3/2012 O'Connor D7/532

* cited by examiner

Primary Examiner — Derrick Holland

Assistant Examiner — Lauren Calve

(74) *Attorney, Agent, or Firm* — Advent, LLP; Ryan T. Grace

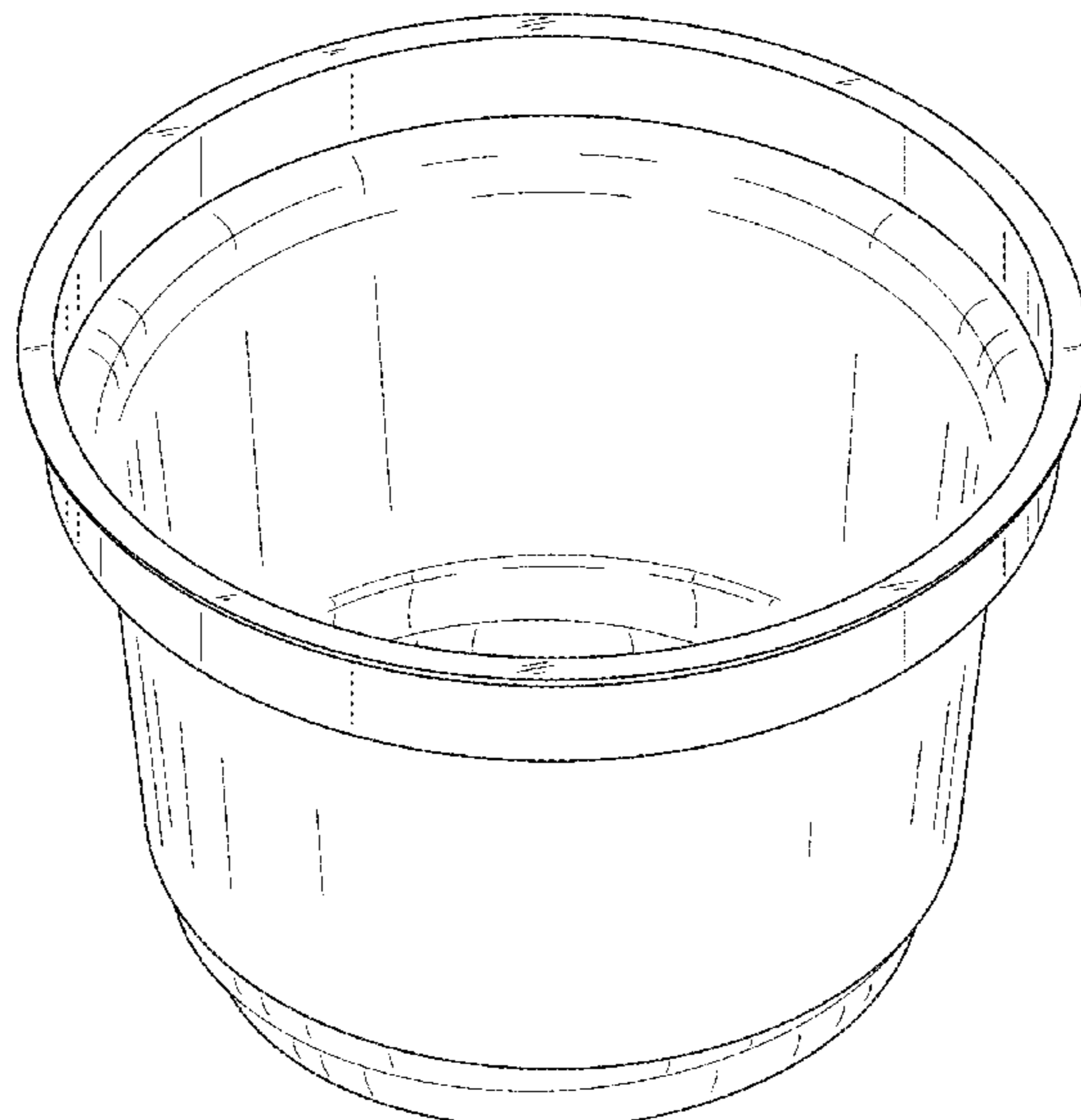
(57) **CLAIM**

The ornamental design for a food container, as shown and described.

DESCRIPTION

FIG. 1 is a perspective view of a food container.
FIG. 2 is a first side plan view of the food container of FIG. 1.
FIG. 3 is a second side plan view of the food container of FIG. 1.
FIG. 4 is a top view of the food container of FIG. 1.
FIG. 5 is a bottom view of the food container of FIG. 1; and,
FIG. 6 is a cross sectional view along line 6-6 indicated in FIG. 4.
The broken line showing of the food container is included for purposes of illustrating environment and forms no part of the claimed design.

1 Claim, 4 Drawing Sheets



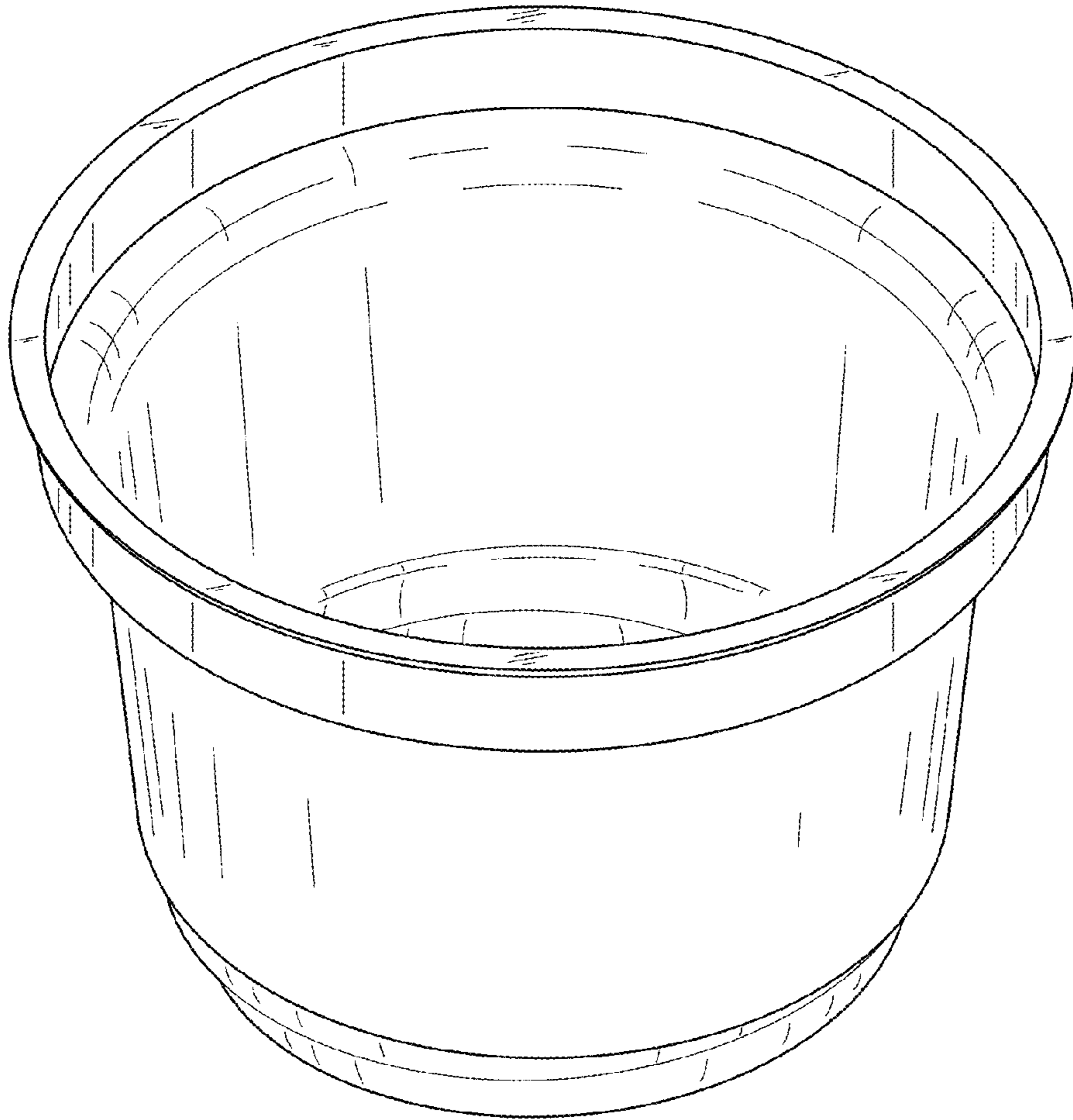


FIG. 1

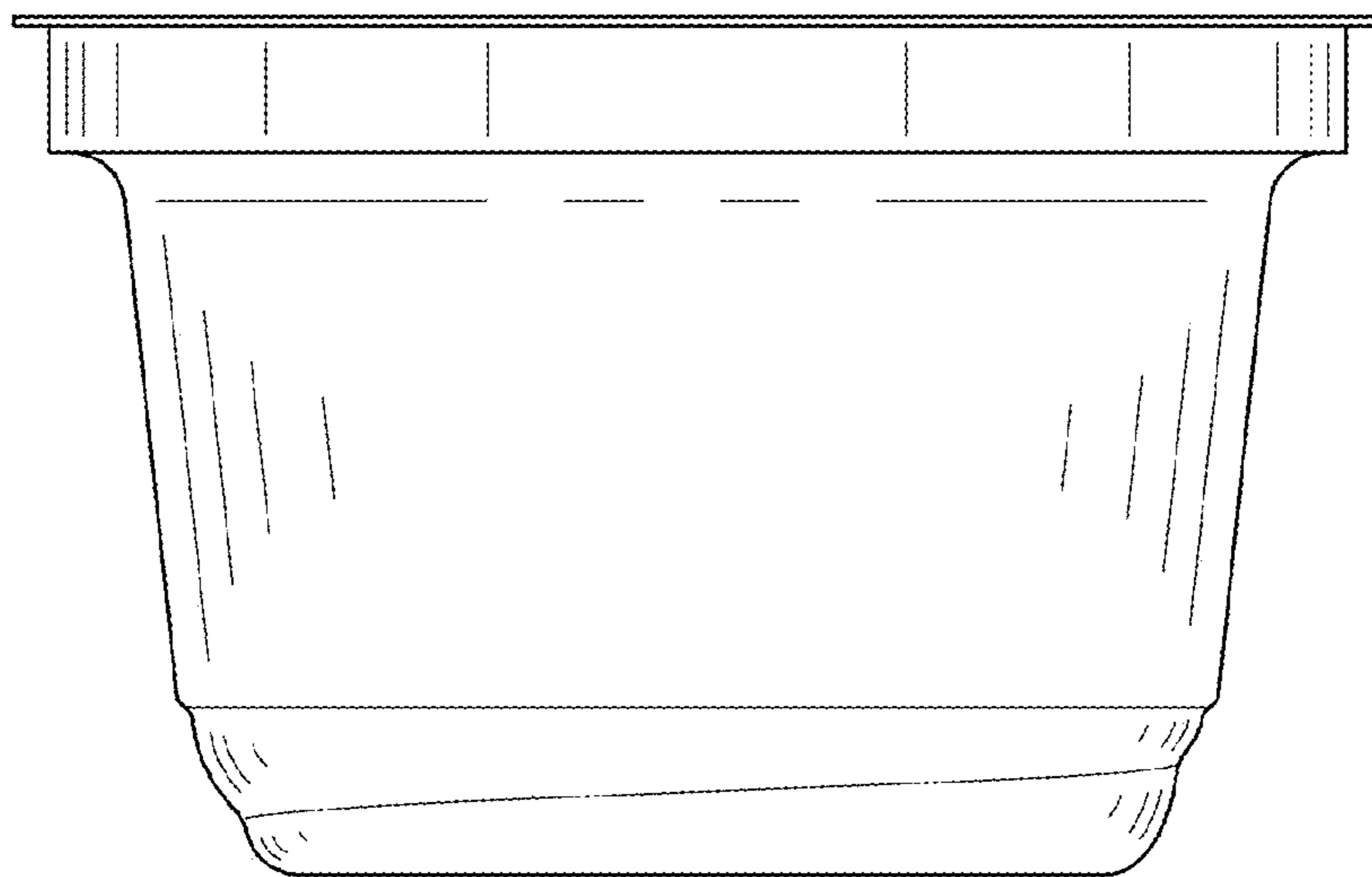


FIG. 2

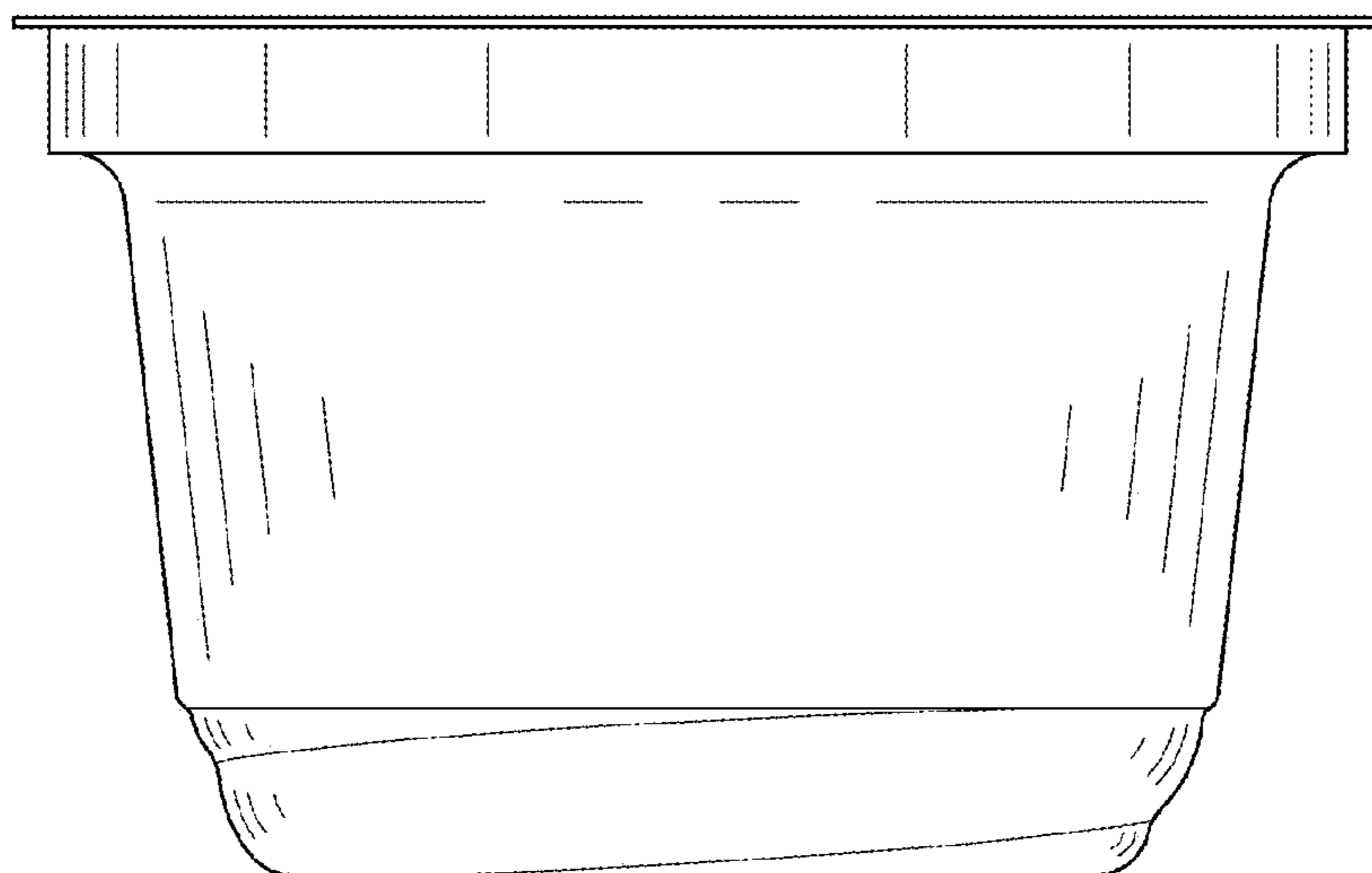


FIG. 3

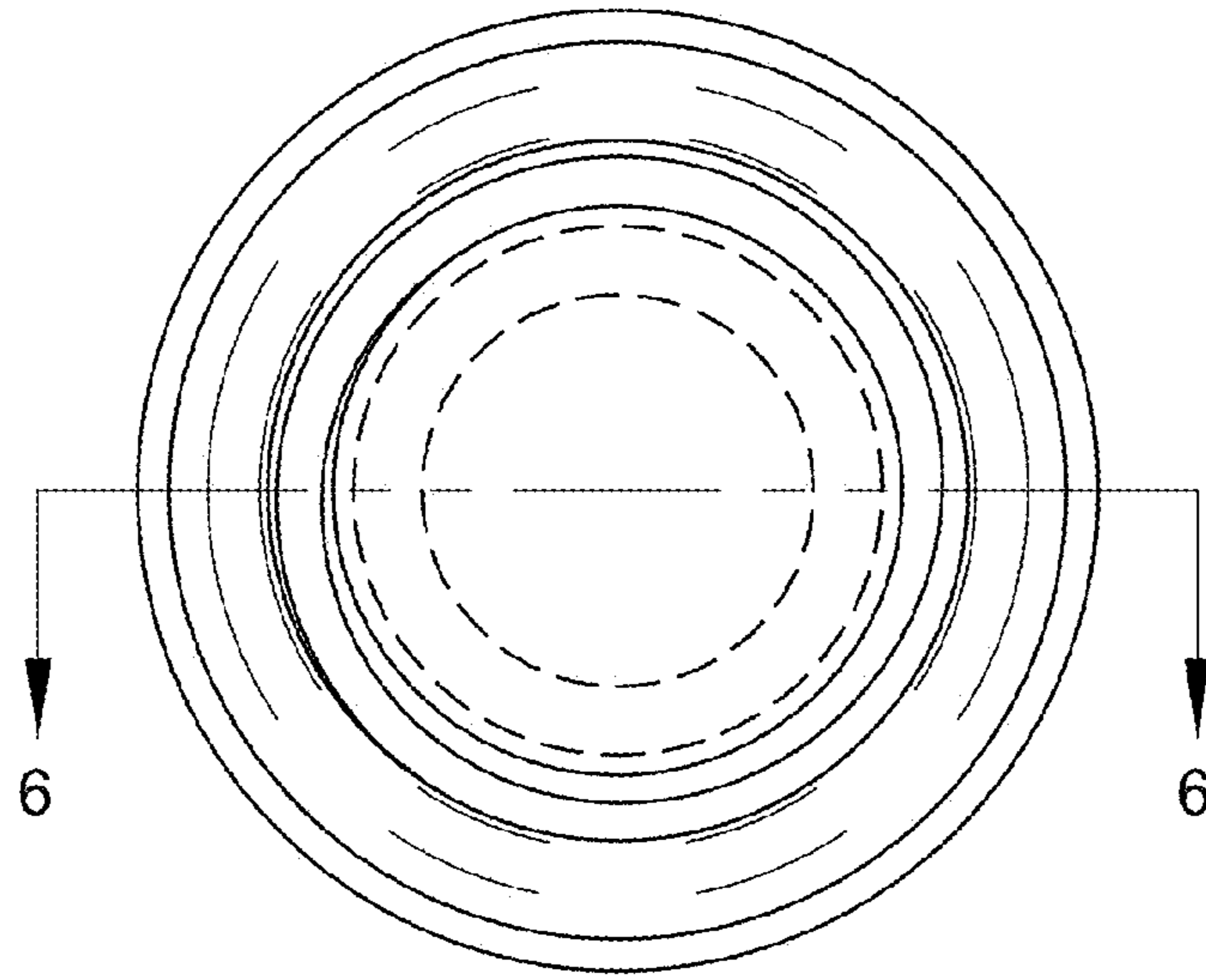


FIG. 4

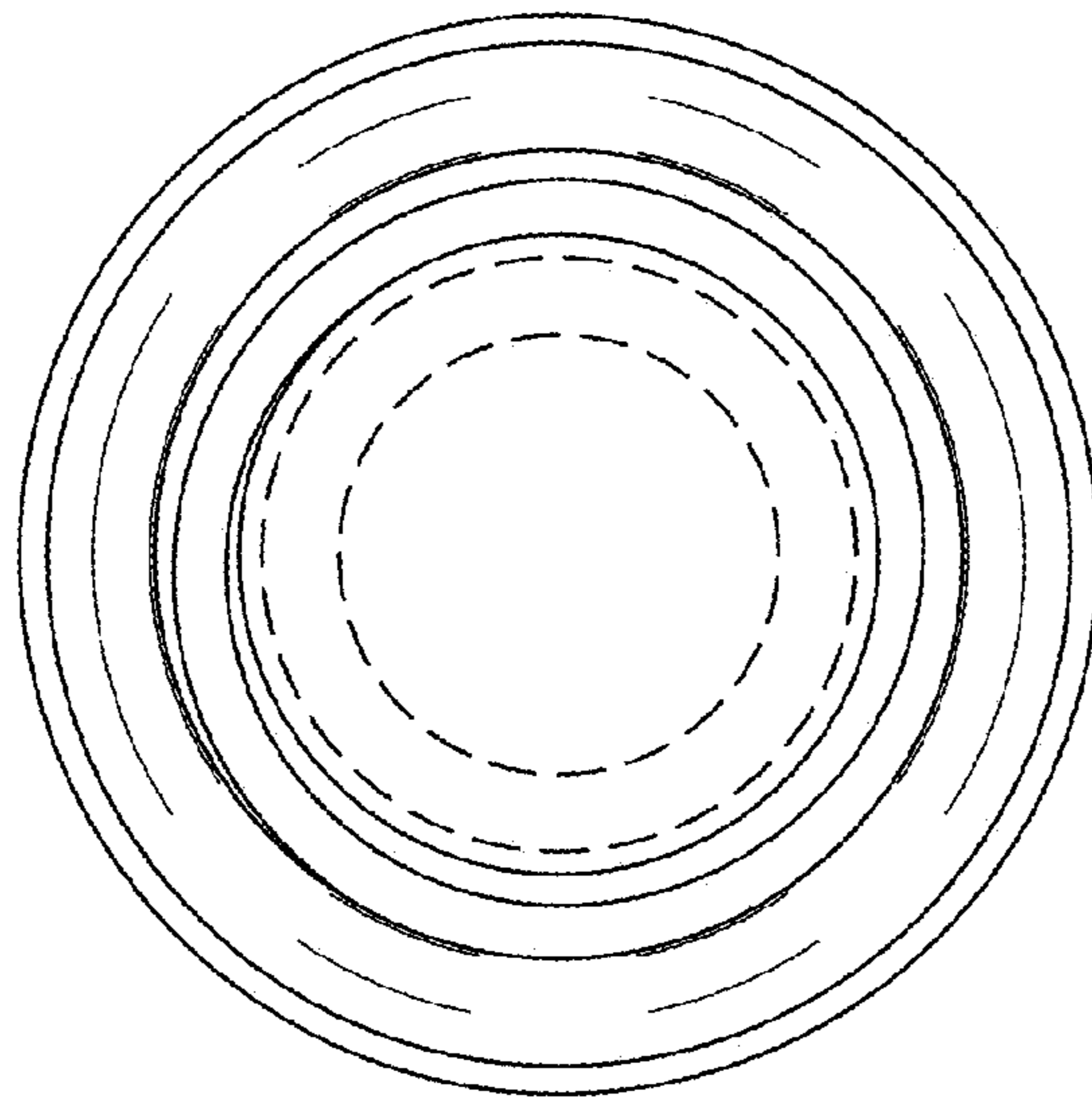


FIG. 5

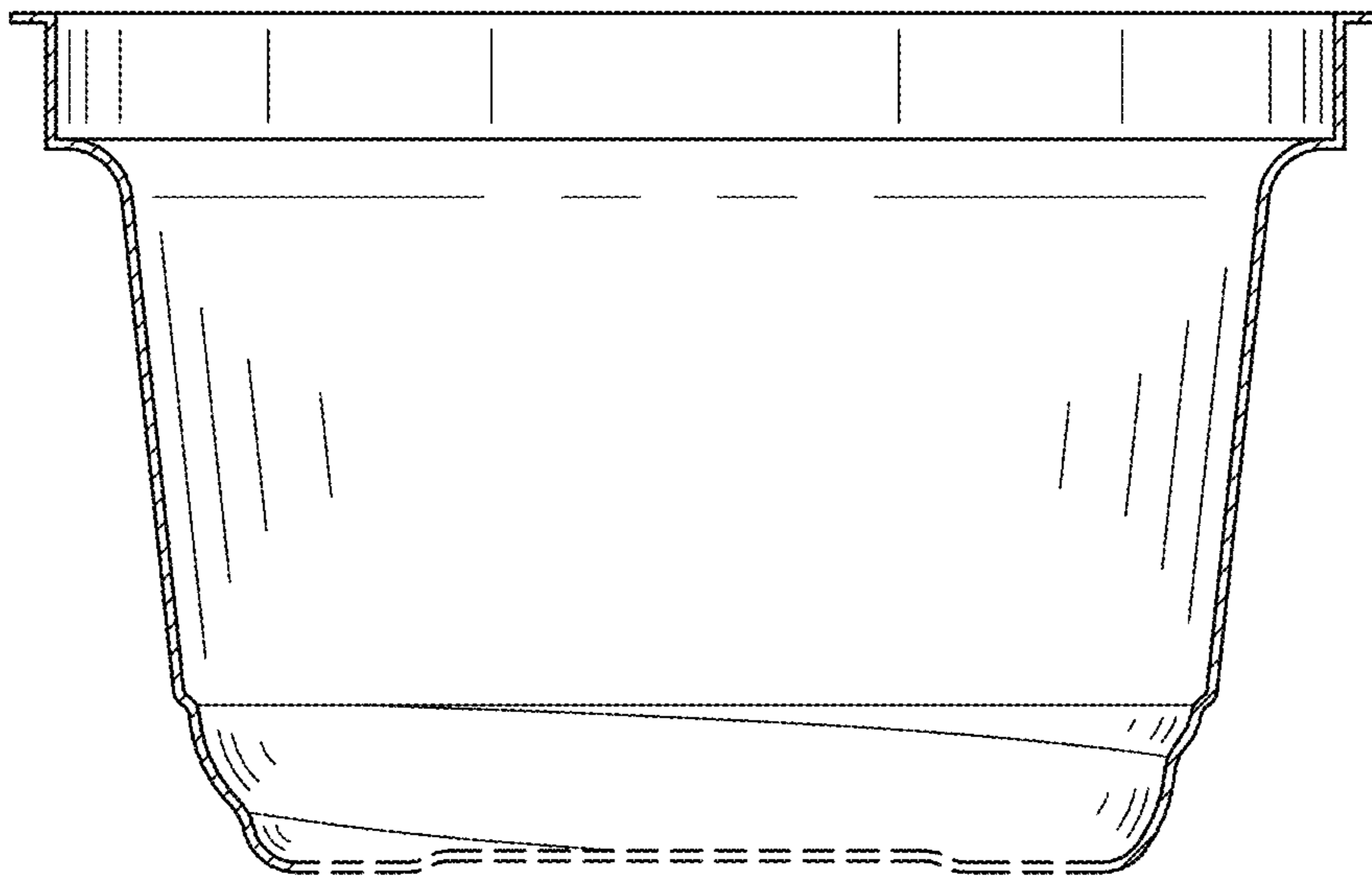


FIG. 6