



US00D684457S

(12) **United States Design Patent**  
**Salow et al.**

(10) **Patent No.:** **US D684,457 S**  
(45) **Date of Patent:** **\*\* Jun. 18, 2013**

(54) **PRODUCT PACKAGING WITH SLIDE OUT TRAY**

(75) Inventors: **Ryan Salow**, Minneapolis, MN (US);  
**Tricia Genett**, Minneapolis, MN (US);  
**Megan O’Neil**, Minneapolis, MN (US);  
**Brad Webb**, Woodbury, MN (US); **Keri Wiesner**, Edina, MN (US); **Mark Weimholt**, Coon Rapids, MN (US)

(73) Assignee: **BBY Solutions, Inc.**, Richfield, MN (US)

(\*\*) Term: **14 Years**

(21) Appl. No.: **29/394,496**

(22) Filed: **Jun. 17, 2011**

(51) **LOC (9) Cl.** ..... **09-03**

(52) **U.S. Cl.**  
USPC ..... **D9/415**

(58) **Field of Classification Search**  
USPC ..... D9/346, 414–418, 424, 425, 423,  
D9/432–436, 445, 431, 453, 499, 500, 504,  
D9/516, 519, 522, 529, 535, 537, 545, 551,  
D9/571, 672, 675, 702, 711, 715, 721, 722,  
D9/737, 748, 759, 740, 743, 745, 749, 756,  
D9/718; D3/201, 203.3, 269, 273, 282, 300,  
D3/302, 315; 221/306; 53/411, 467, 170;  
206/536

See application file for complete search history.

(56) **References Cited**

U.S. PATENT DOCUMENTS

D614,022	S	*	4/2010	Melnick	.....	D9/415
D625,185	S	*	10/2010	Clark	.....	D9/444
D625,598	S	*	10/2010	Ruth	.....	D9/423
D646,985	S	*	10/2011	Roesler	.....	D9/756
2007/0251983	A1	*	11/2007	Freeze	.....	229/125.125

OTHER PUBLICATIONS

[http://www.alibaba.com/product-gs/359840463/Full\\_box\\_packagefor\\_iphone\\_3g.html](http://www.alibaba.com/product-gs/359840463/Full_box_packagefor_iphone_3g.html) searched RMS Feb. 6, 2013.\*

\* cited by examiner

*Primary Examiner* — Robert M Spear

*Assistant Examiner* — Rhea Shields

(74) *Attorney, Agent, or Firm* — Beck & Tysver PLLC

(57) **CLAIM**

The ornamental design for product packaging with a slide out tray, as shown and described.

**DESCRIPTION**

FIG. 1 is an exploded, perspective view of a product packaging with a slide out tray and sleeve.

FIG. 2 is an assembled, perspective view thereof.

FIG. 3 is a front view thereof.

FIG. 4 is a right view thereof.

FIG. 5 is a back view thereof.

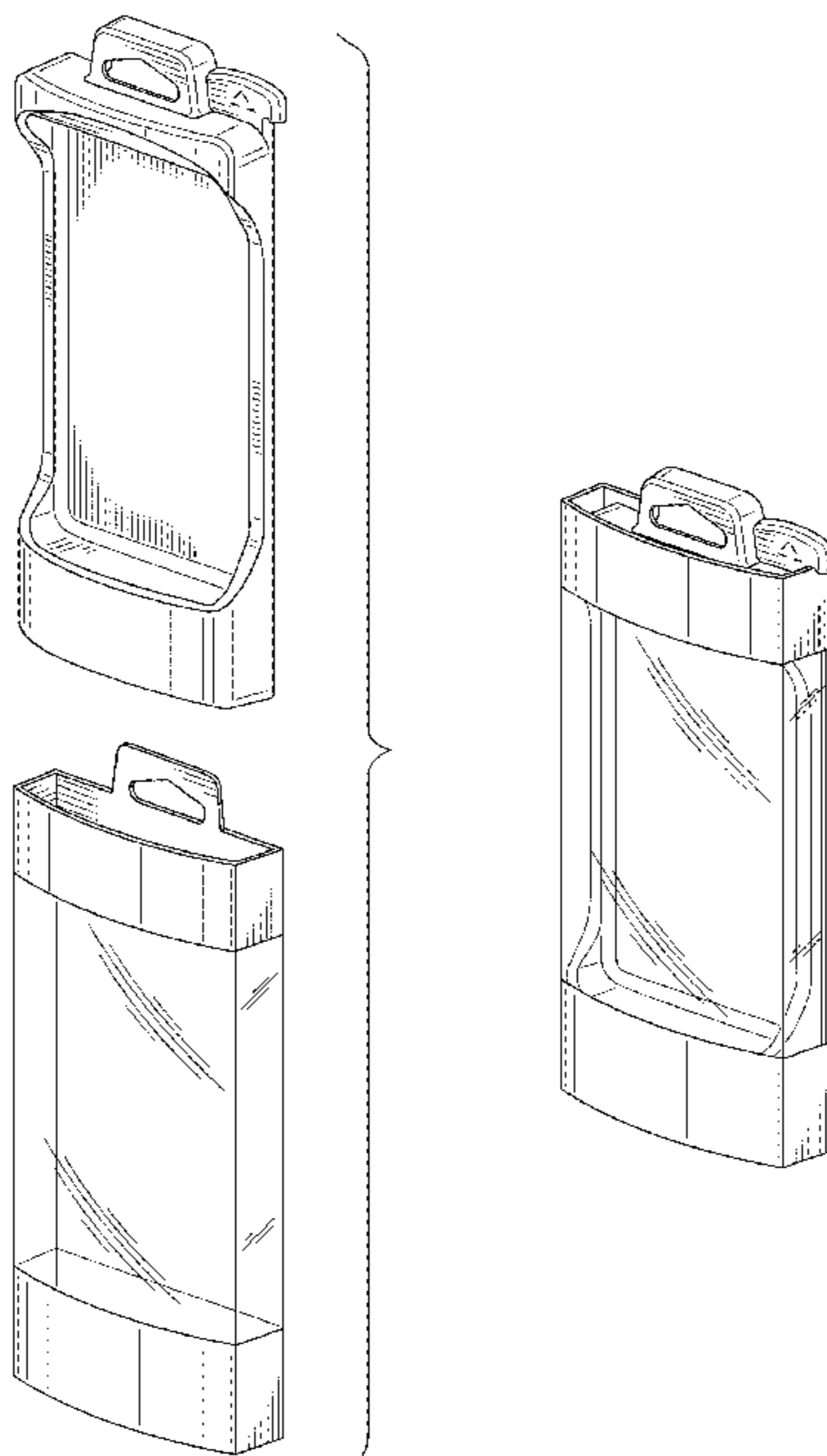
FIG. 6 is a left view thereof.

FIG. 7 is a top view thereof; and,

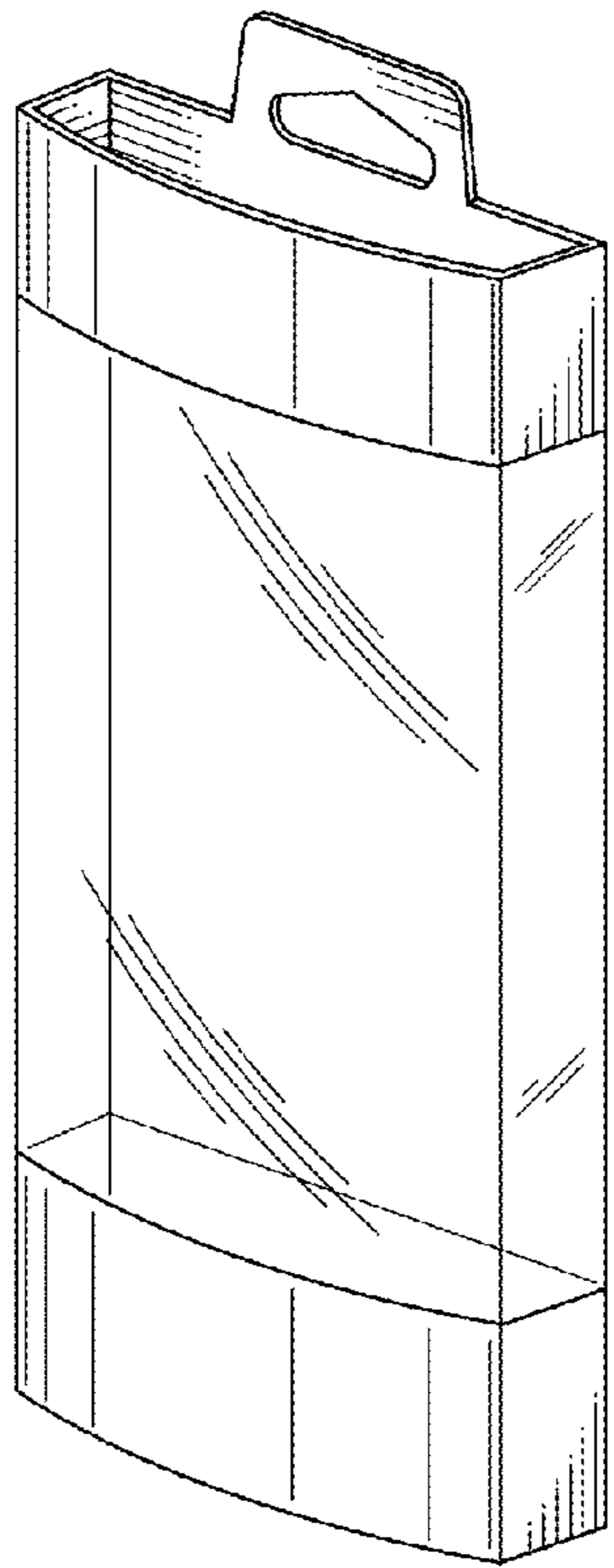
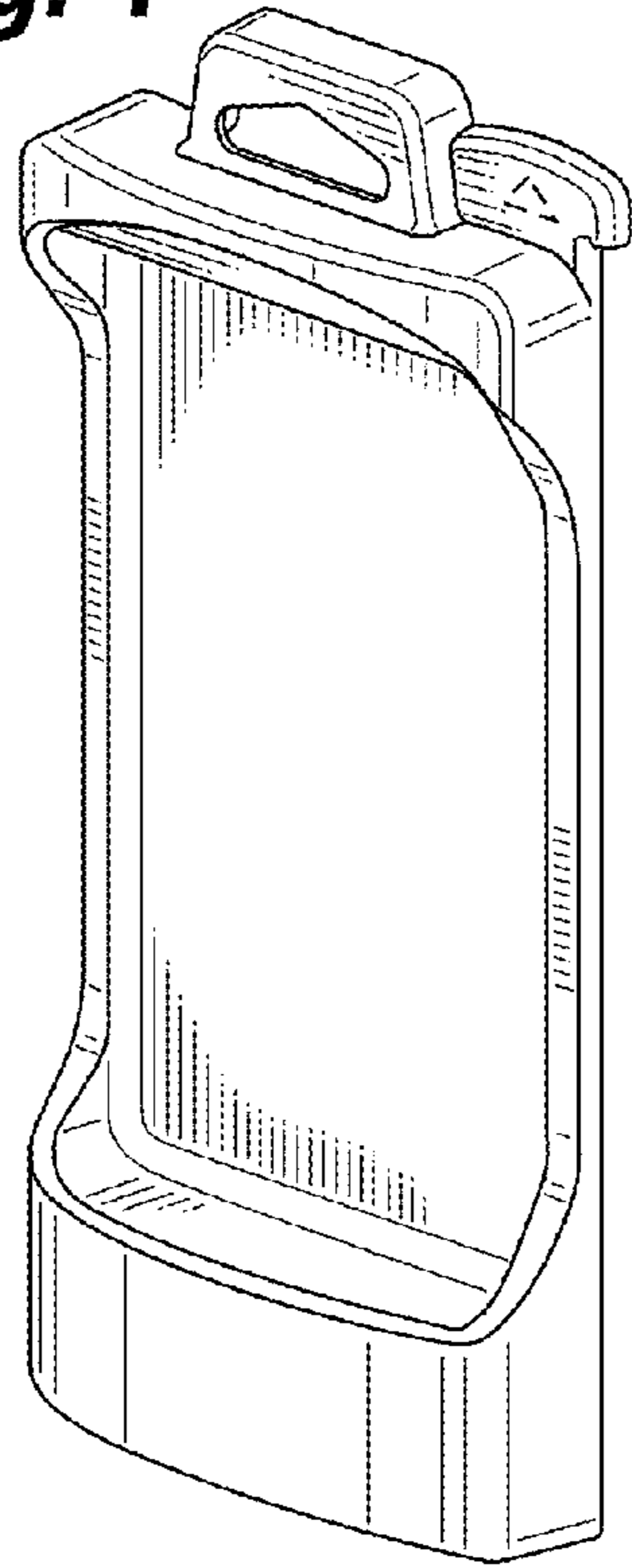
FIG. 8 is a bottom view thereof.

The broken lines in FIGS. 1, 2, 3, and 5 depict unclaimed environment.

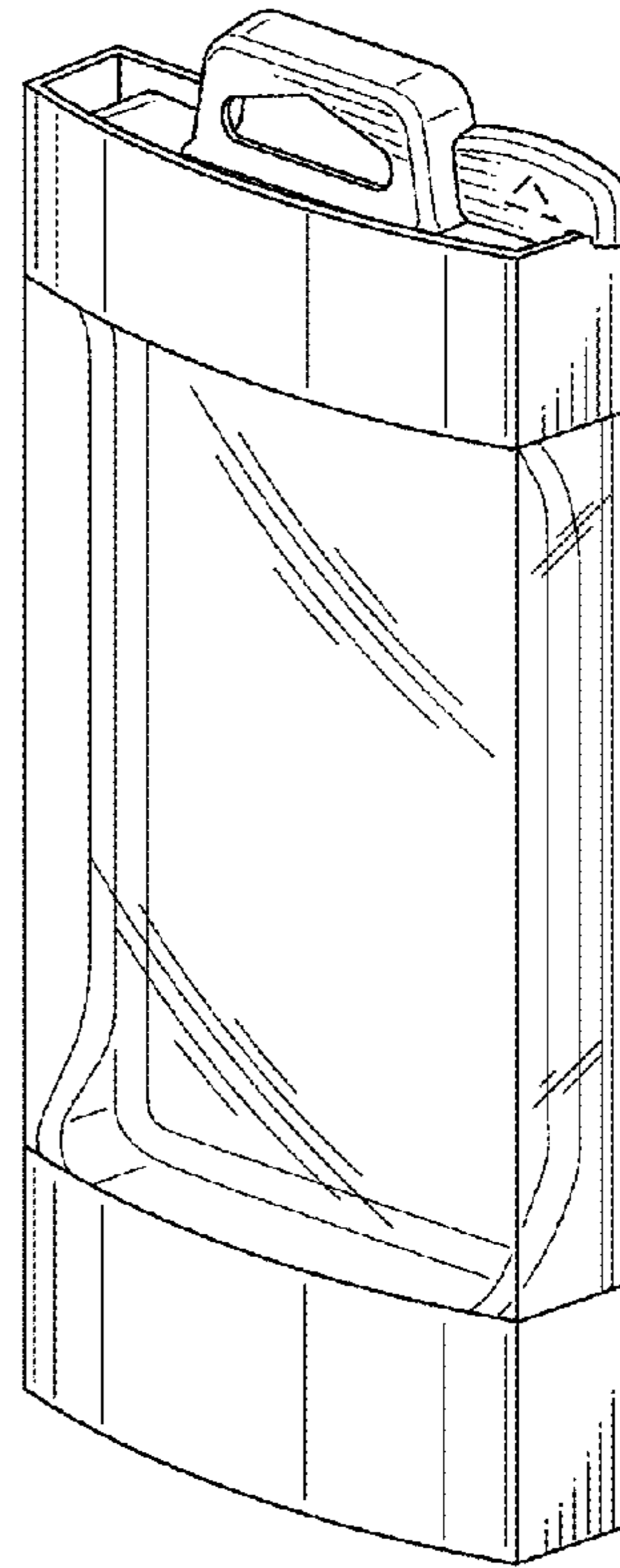
**1 Claim, 3 Drawing Sheets**



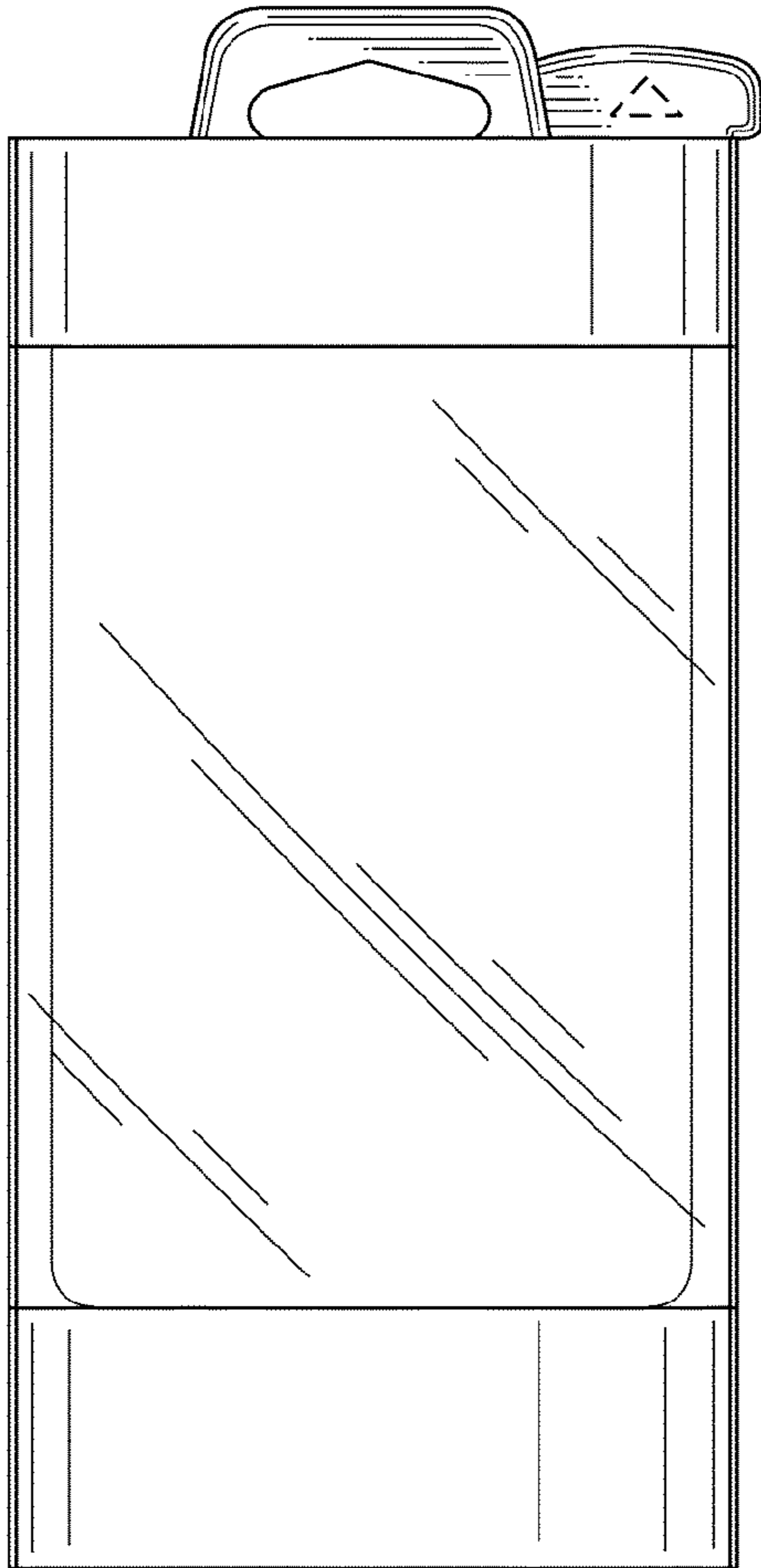
**Fig. 1**



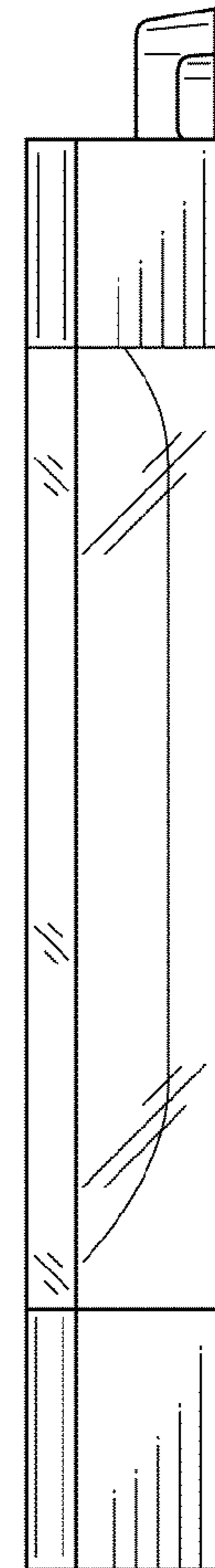
**Fig. 2**



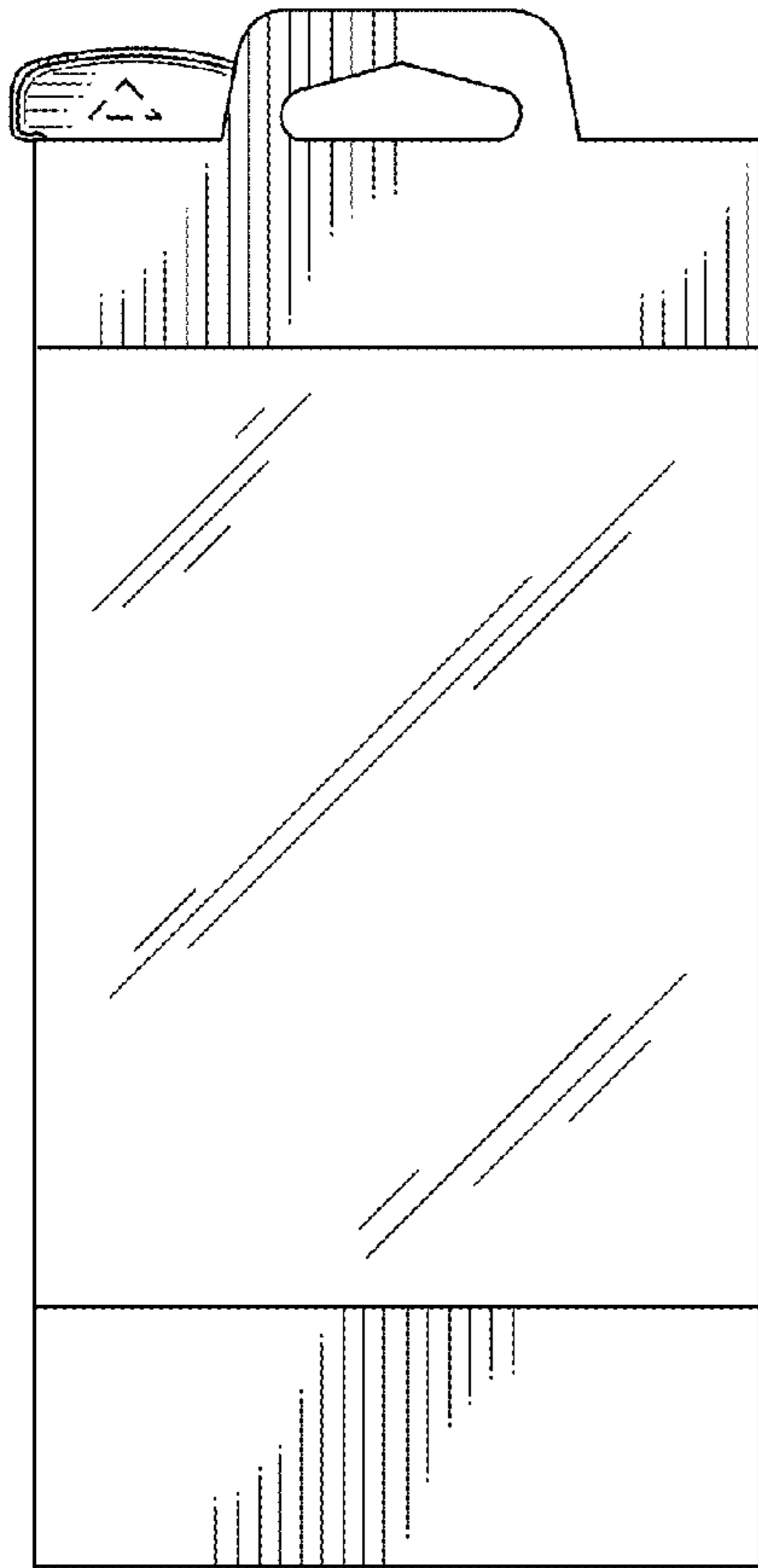
**Fig. 3**



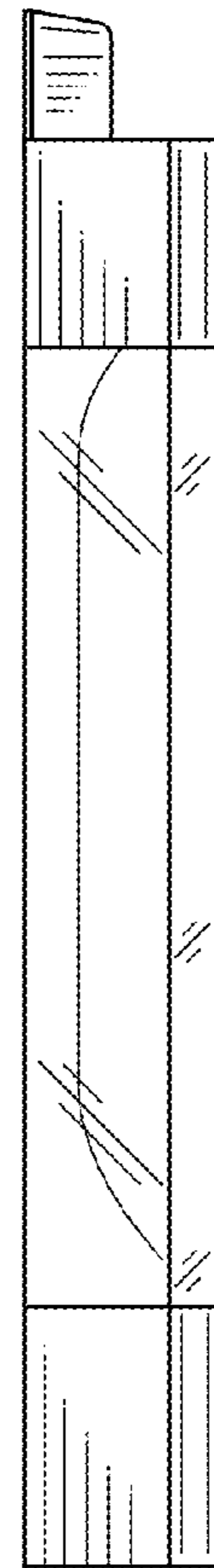
**Fig. 4**



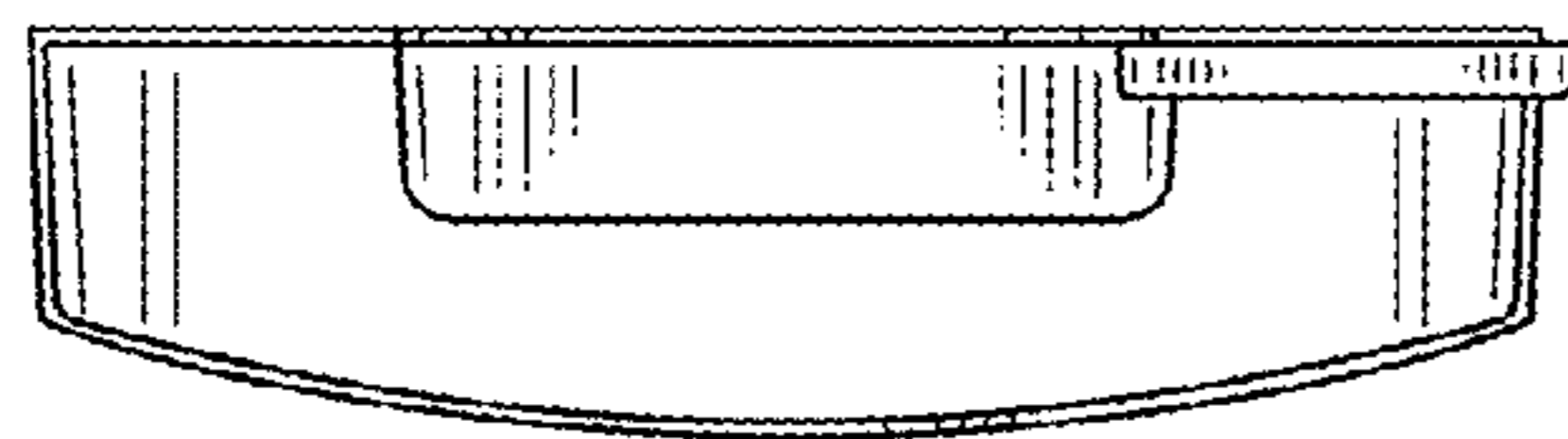
**Fig. 5**



**Fig. 6**



**Fig. 7**



**Fig. 8**

