



US00D684455S

(12) **United States Design Patent**
Relyea et al.

(10) **Patent No.:** **US D684,455 S**
(45) **Date of Patent:** **** Jun. 18, 2013**

(54) **CLINCH NUT**

(75) Inventors: **Allan Bruce Relyea**, Doylestown, PA
(US); **Michael E. Murphy**, Perkasié, PA
(US)

(73) Assignee: **PEM Management, Inc.**, Wilmington,
DE (US)

(**) Term: **14 Years**

(21) Appl. No.: **29/427,363**

(22) Filed: **Jul. 17, 2012**

(51) **LOC (9) Cl.** **08-08**

(52) **U.S. Cl.**
USPC **D8/397**

(58) **Field of Classification Search**
USPC D8/397, 394, 382, 349; 411/427,
411/429, 432, 918, 179, 180
See application file for complete search history.

(56) **References Cited**

U.S. PATENT DOCUMENTS

D23,917 S *	12/1894	Lane	D8/397
D233,138 S *	10/1974	Vogel	D9/453
D452,428 S *	12/2001	Shinjo et al.	D8/397
D453,000 S *	1/2002	Shinjo et al.	D8/397
D454,057 S *	3/2002	Pamer et al.	D8/397
D457,054 S *	5/2002	Pamer et al.	D8/397
D519,530 S *	4/2006	Thysell et al.	D15/126

D534,796 S *	1/2007	Falkenburg	D9/434
D545,584 S *	7/2007	Hunziker	D6/370
D551,269 S *	9/2007	Burke, III	D15/139
D604,611 S *	11/2009	Ames et al.	D9/453
D634,343 S *	3/2011	Burke, III	D15/139
D662,869 S *	7/2012	Ballard	D12/213
D668,919 S *	10/2012	Teng	D7/693

OTHER PUBLICATIONS

Penn Engineering, Self-Clinching Nuts, Bulletin CL, Rev. 912.

* cited by examiner

Primary Examiner — Cynthia Underwood

(74) *Attorney, Agent, or Firm* — Gregory J. Gore

(57) **CLAIM**

The ornamental design for a clinch nut, as shown and described.

DESCRIPTION

FIG. 1 is a top front isometric view of a clinch nut.
FIG. 2 is a front elevation view thereof.
FIG. 3 is a left elevation view thereof.
FIG. 4 is a rear elevation view thereof.
FIG. 5 is a right elevation view thereof.
FIG. 6 is a top plan view thereof; and,
FIG. 7 is a bottom view thereof.

1 Claim, 1 Drawing Sheet

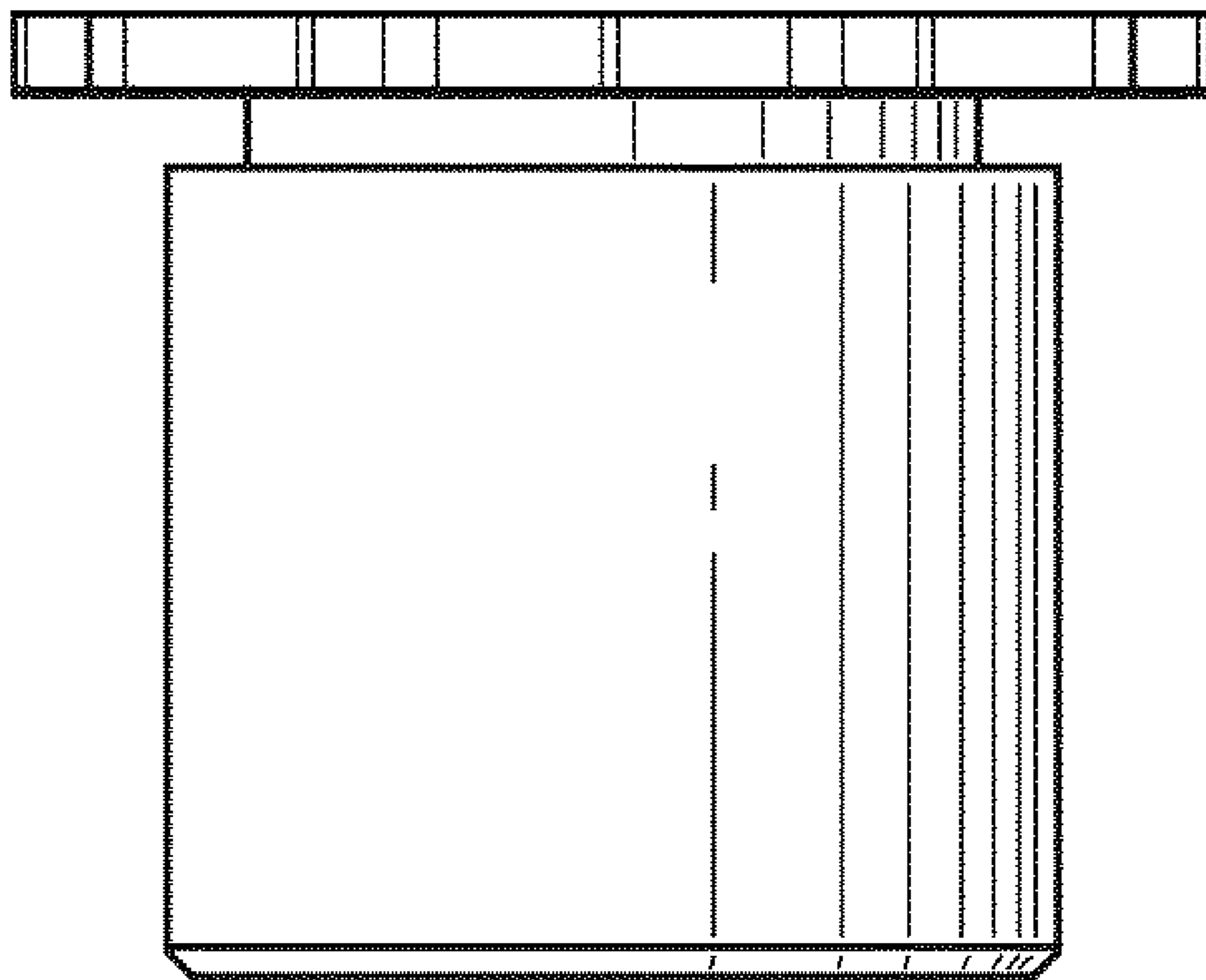


FIG. 1

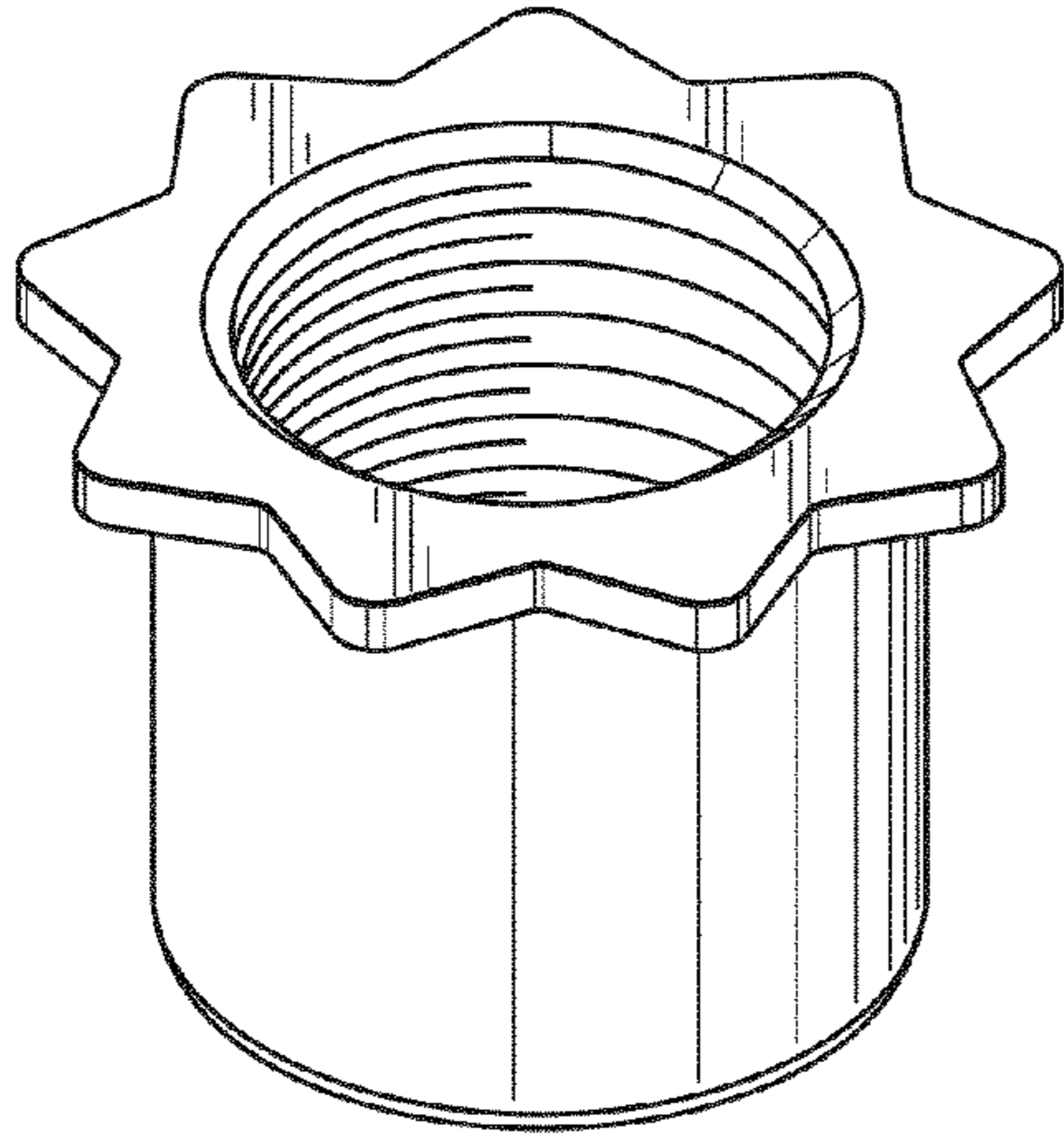


FIG. 2

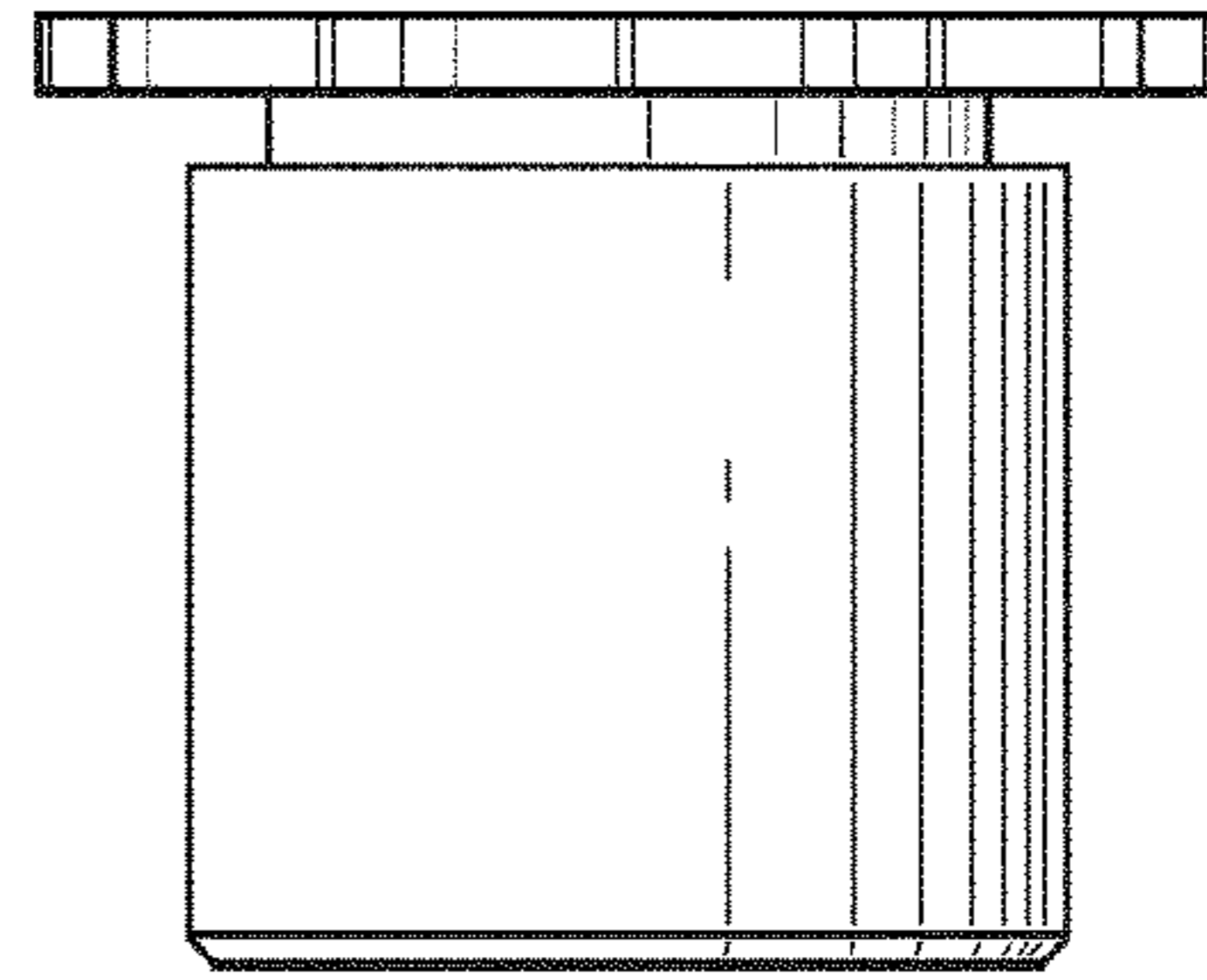


FIG. 3

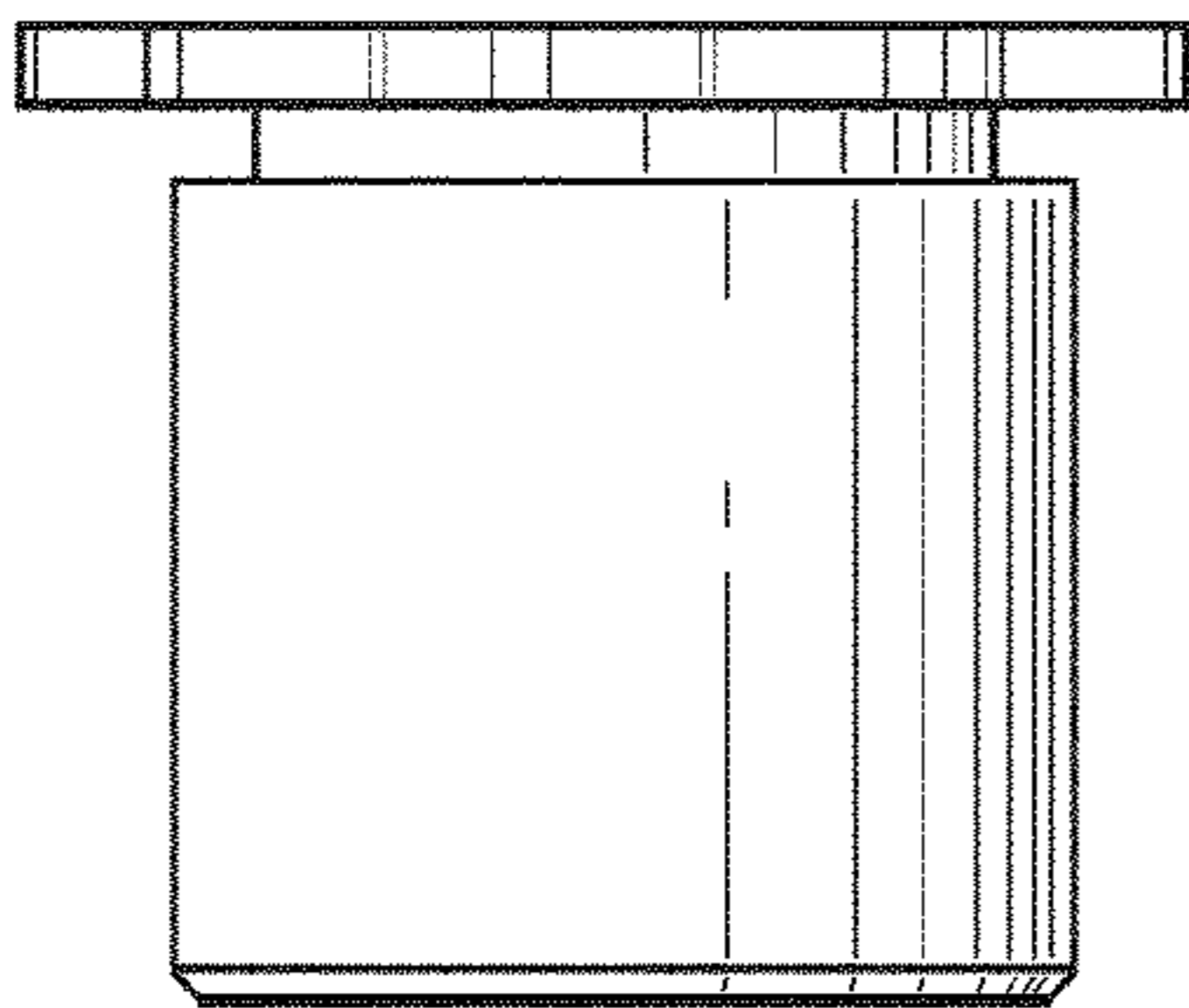


FIG. 4

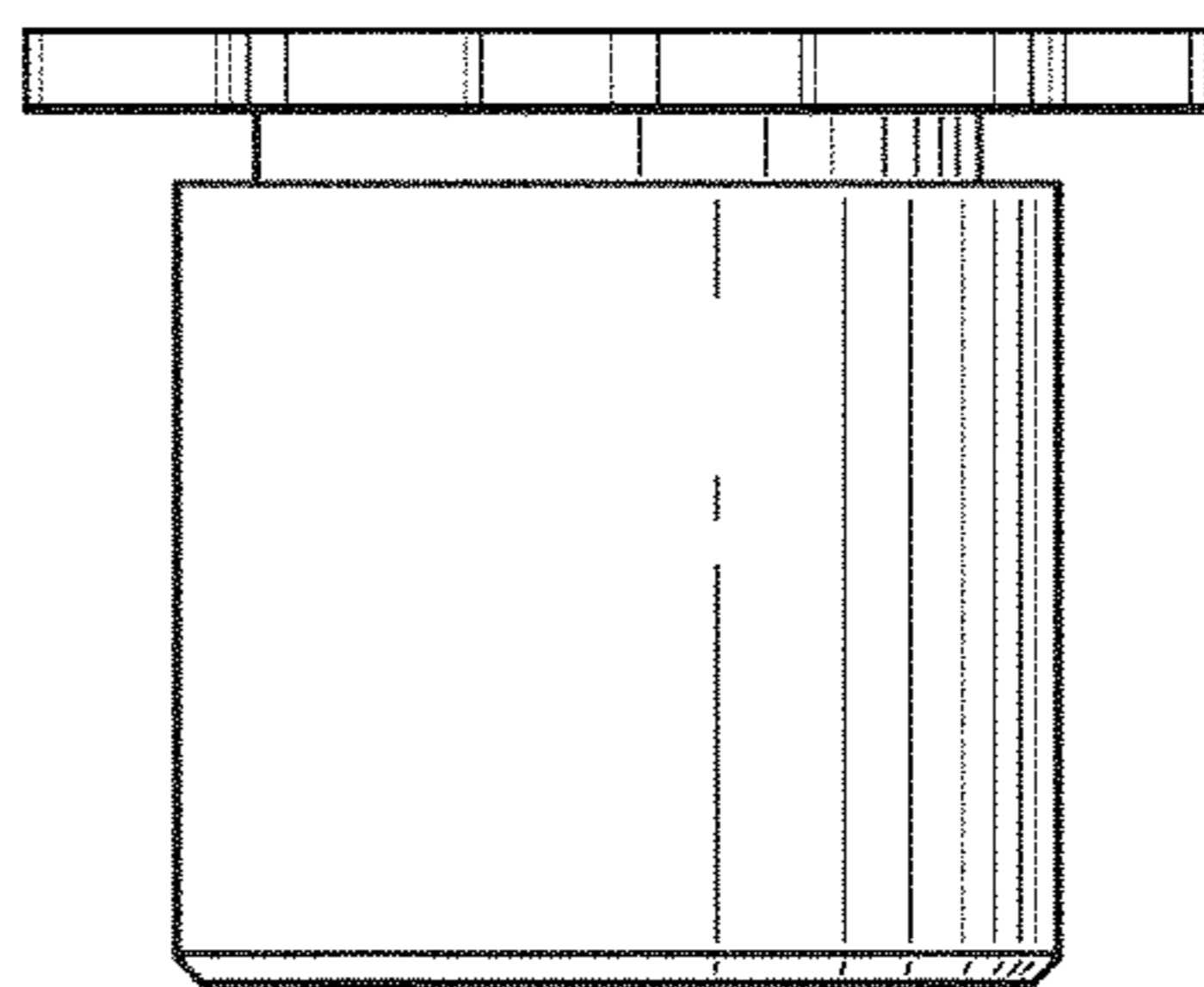


FIG. 5

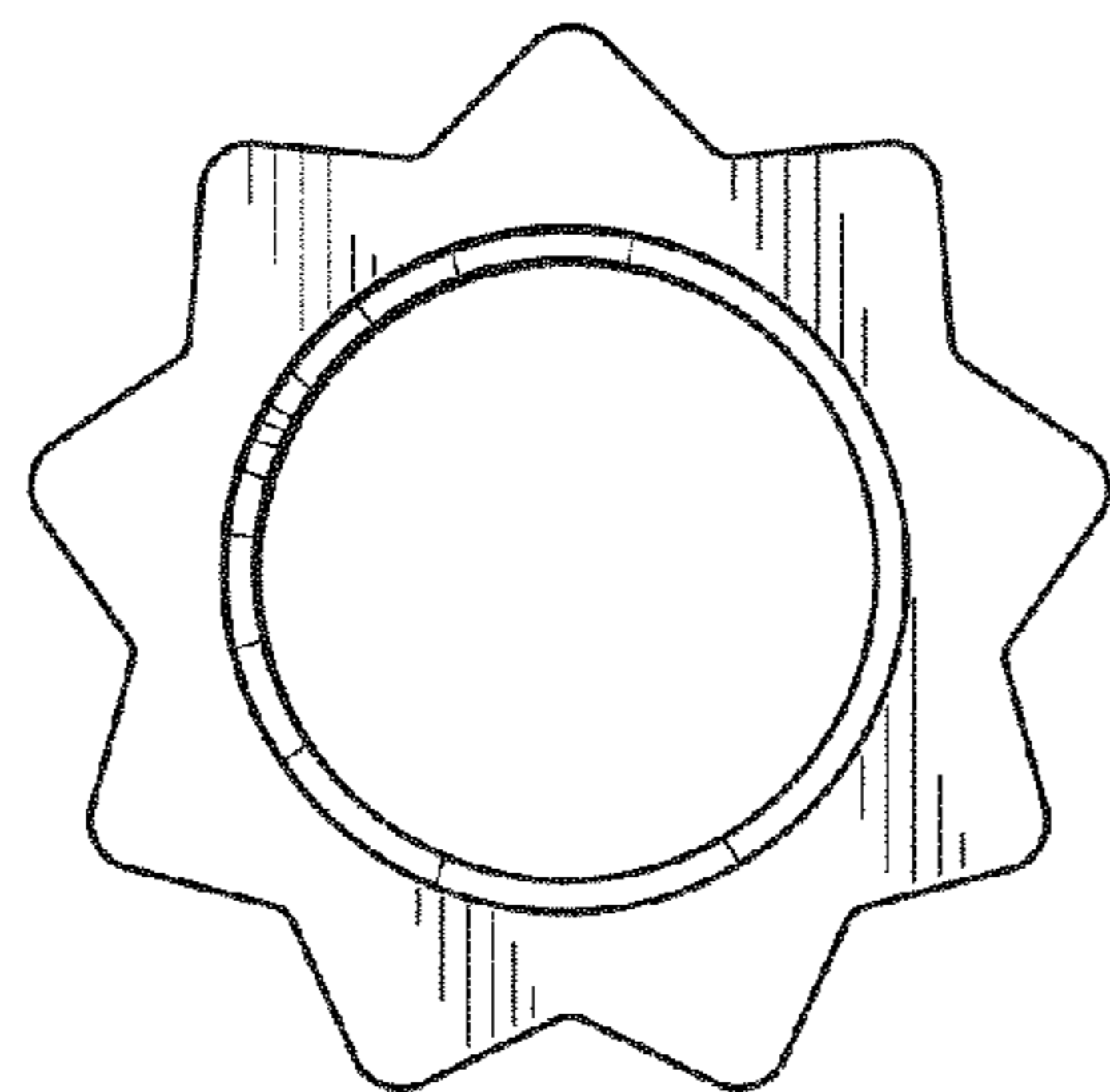
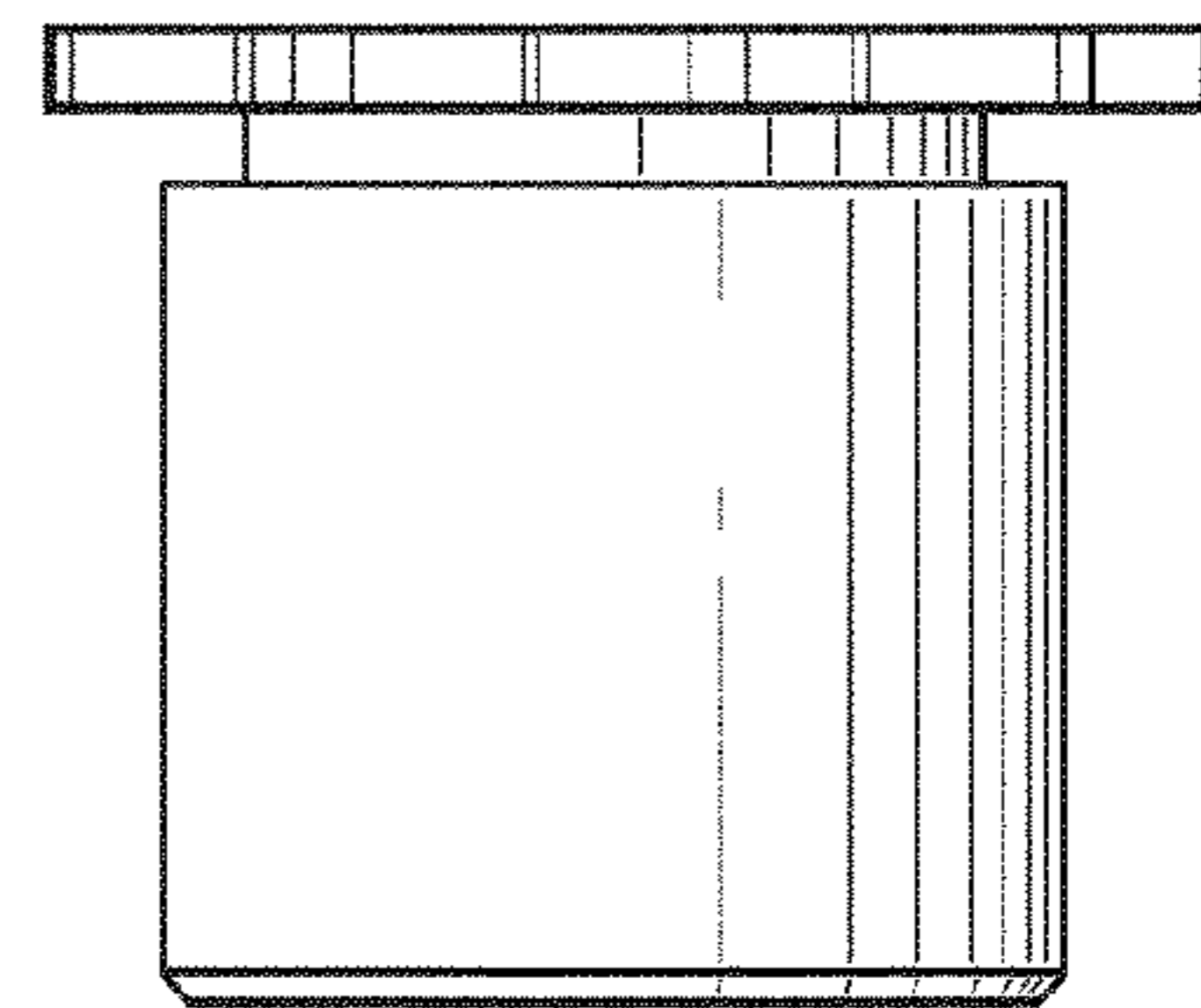


FIG. 6

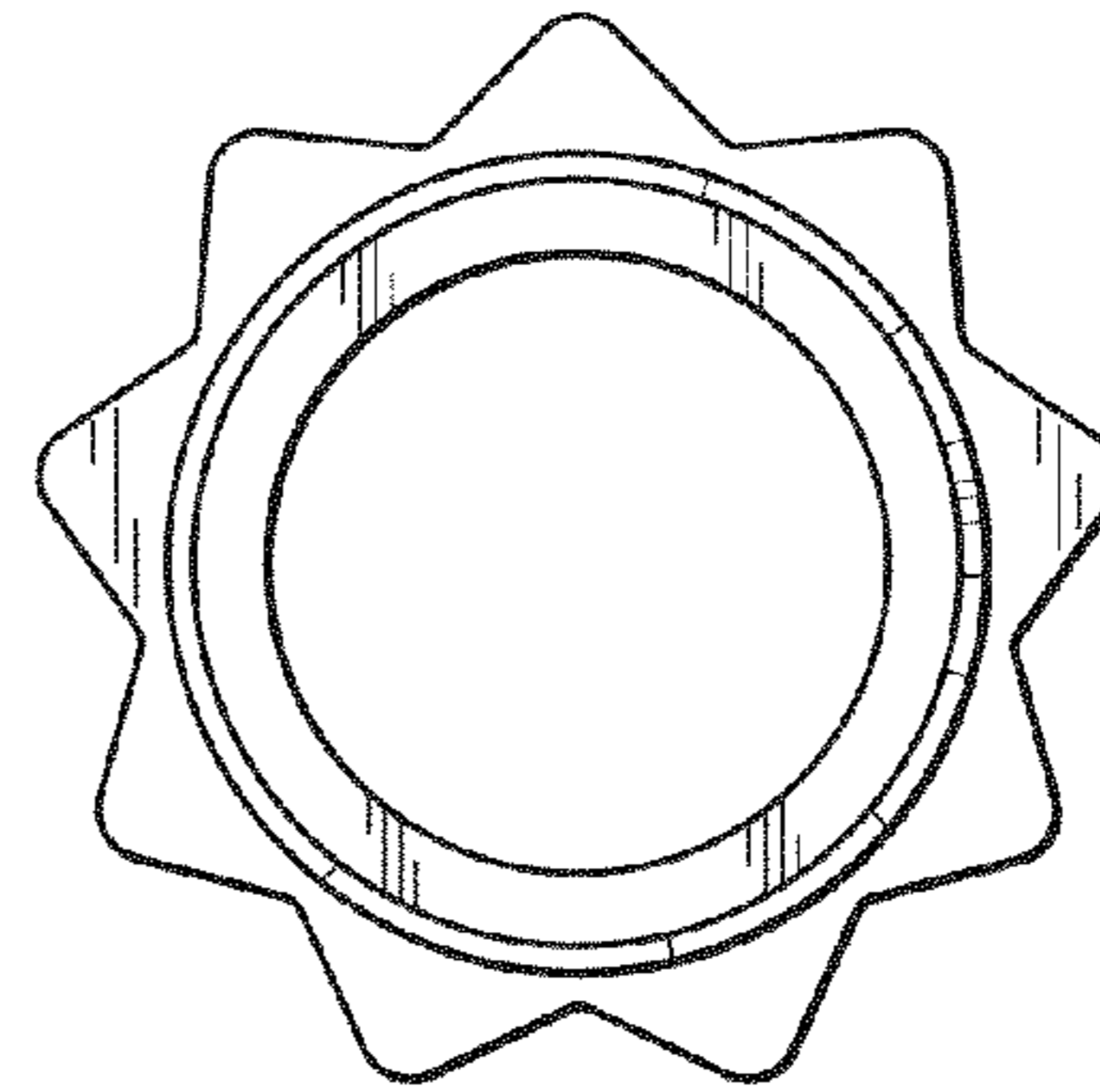


FIG. 7