



US00D684445S

(12) **United States Design Patent**  
**Kelleghan**

(10) **Patent No.:** **US D684,445 S**  
(45) **Date of Patent:** **\*\* Jun. 18, 2013**

(54) **BLADE WITH RING HANDLE**  
(75) Inventor: **Brian James Kelleghan**, Longmont, CO  
(US)  
(73) Assignee: **Bison Designs, LLC**, Longmont, CO  
(US)  
(\*\*) Term: **14 Years**

(21) Appl. No.: **29/394,322**  
(22) Filed: **Jun. 15, 2011**  
(51) **LOC (9) Cl.** ..... **08-03**  
(52) **U.S. Cl.**  
USPC ..... **D8/20**  
(58) **Field of Classification Search**  
USPC ..... D8/14, 16, 18-20, 45, 47, 64, 66,  
D8/67, 90-99; D15/127, 133, 138, 139;  
D22/117, 118; D24/146; 7/118, 148; 30/142,  
30/144, 165, 166.3, 168, 169, 272.1, 314,  
30/320, 346, 346.5, 346.55, 346.56, 349,  
30/351, 355-357  
See application file for complete search history.

(56) **References Cited**

U.S. PATENT DOCUMENTS

805,486	A	11/1905	Rosenheimer	
D42,070	S *	12/1911	Vaughan	D8/18
1,840,135	A	1/1932	Schutt	
D137,168	S *	2/1944	Jacobson	D8/93
D146,485	S	3/1947	Mossberg	
D179,916	S	3/1957	Raverty et al.	
D201,302	S *	6/1965	Bowden	D8/14
3,415,093	A *	12/1968	Newell	D8/14
D231,074	S *	4/1974	Jones	D8/14
D240,188	S	6/1976	Lytle	
D247,686	S	4/1978	Desjardins	
D325,499	S *	4/1992	Wilder	D8/33

D396,792	S	8/1998	Connors	
D438,075	S *	2/2001	Van Meter	D8/40
D474,095	S	5/2003	Luquire	
D501,381	S *	2/2005	Kelleghan	D8/18
D619,865	S *	7/2010	Boehler	D8/20
D637,876	S *	5/2011	Williams	D8/20

**OTHER PUBLICATIONS**

Leatherman Wave multi-tool Photographs showing prior art multi-tool manufactured by Leatherman (1 page; 3 photographs).

\* cited by examiner

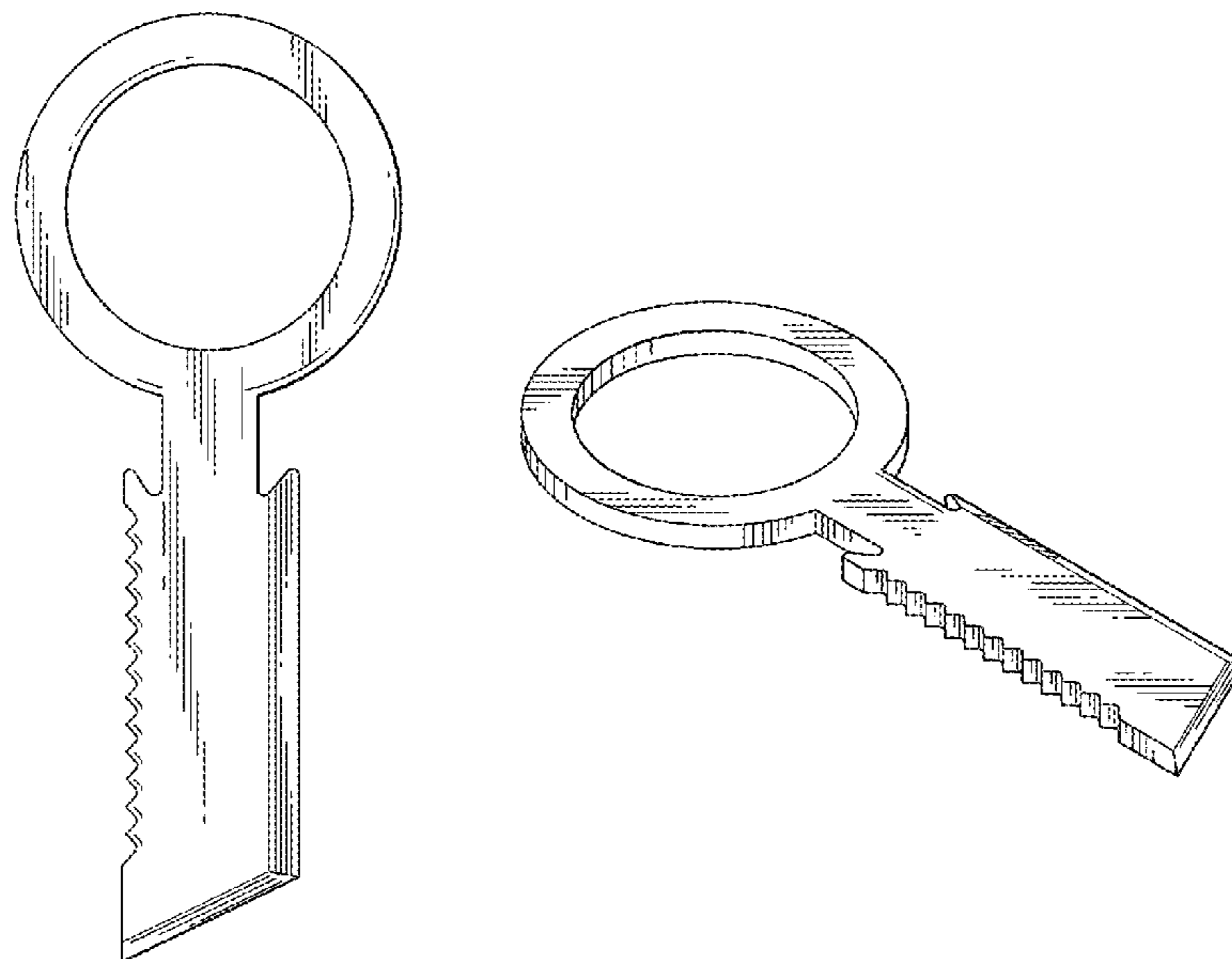
*Primary Examiner* — Garth Rademaker  
(74) *Attorney, Agent, or Firm* — Margaret Polson; Oppedahl Patent Law Firm LLC

(57) **CLAIM**  
The ornamental design for a blade with ring handle, as shown and described.

**DESCRIPTION**

FIG. 1 is a top plan view of a first embodiment of a blade with ring handle showing my new design;  
FIG. 2 is a bottom plan view of FIG. 1.  
FIG. 3 is a left side elevation view of FIG. 1.  
FIG. 4 is a right side elevation view of FIG. 1.  
FIG. 5 is a front side elevation view of FIG. 1.  
FIG. 6 is rear side elevation view of FIG. 1.  
FIG. 7 is a top perspective view of FIG. 1.  
FIG. 8 is a top plan view of a second embodiment of a blade with ring handle showing my new design;  
FIG. 9 is a bottom plan view of FIG. 8.  
FIG. 10 is a left side elevation view of FIG. 8.  
FIG. 11 is a right side elevation view of FIG. 8.  
FIG. 12 is a front side elevation view of FIG. 8.  
FIG. 13 is rear side elevation view of FIG. 8; and,  
FIG. 14 is a top perspective view of FIG. 8.

**1 Claim, 2 Drawing Sheets**



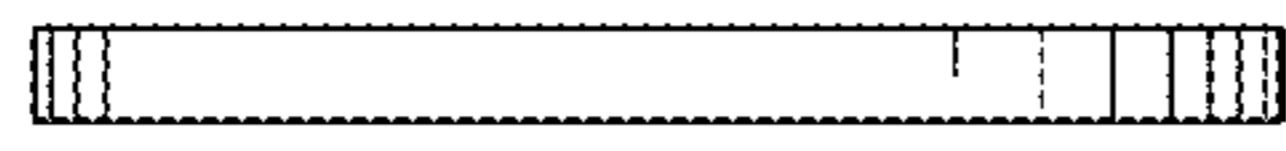


FIG.5



FIG.3

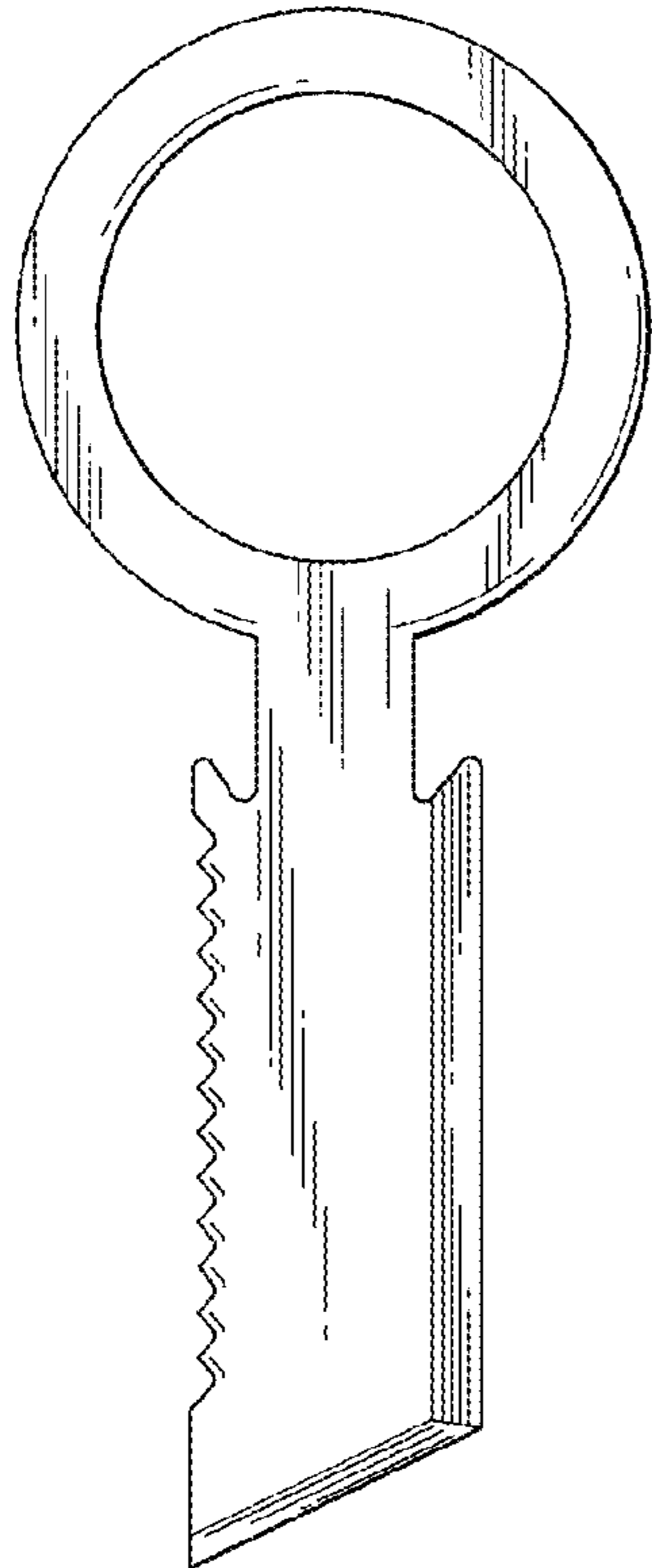


FIG.1



FIG.4

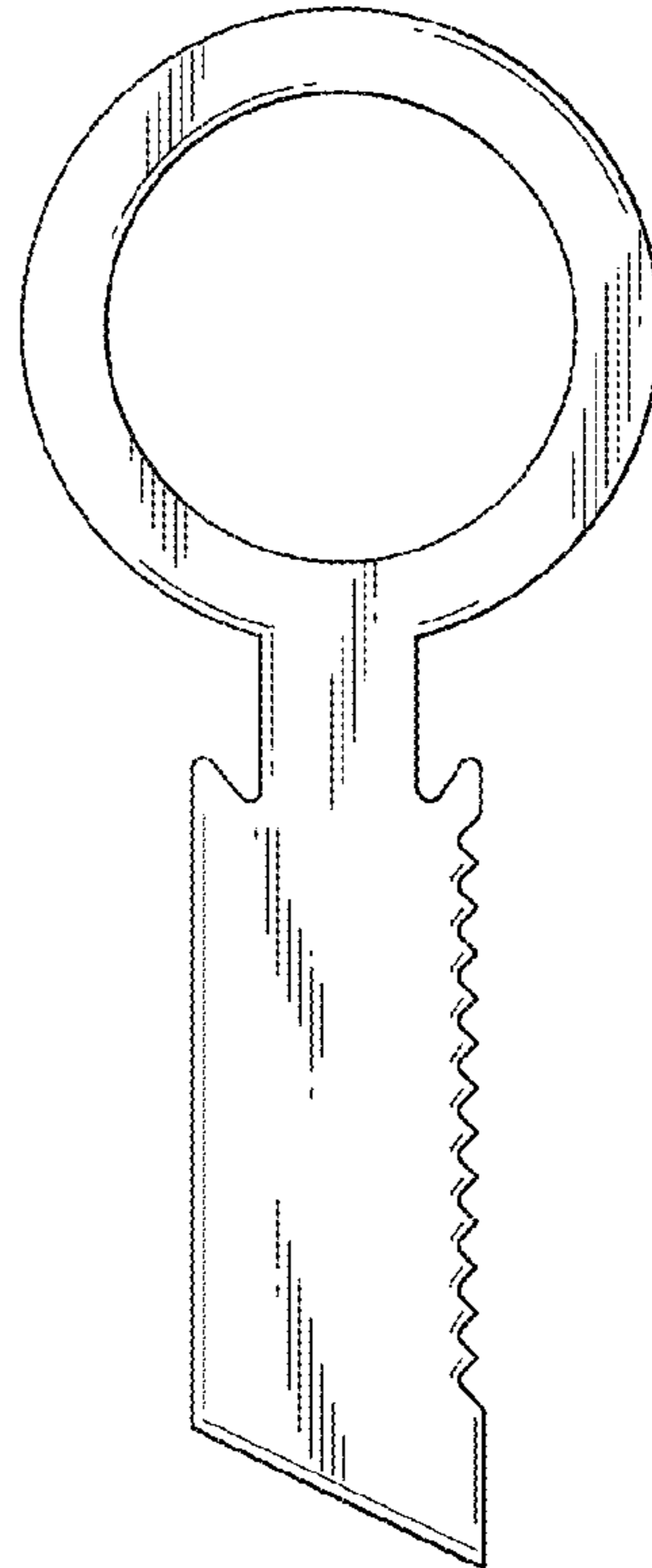


FIG.2

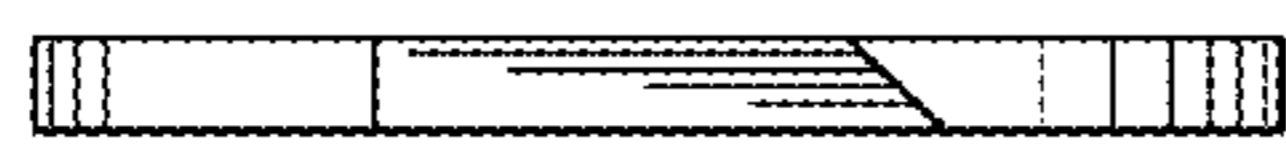


FIG.6

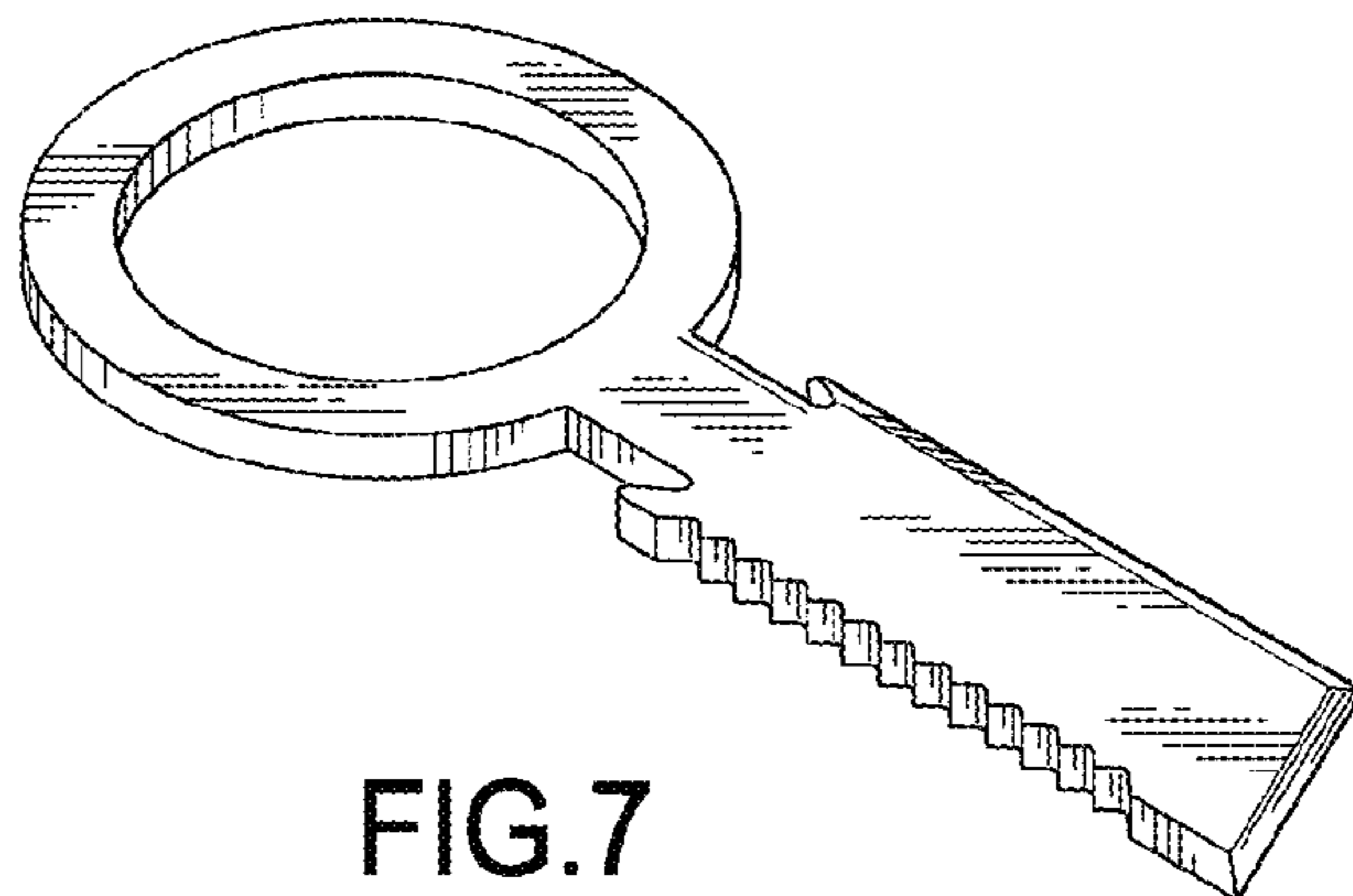


FIG.7

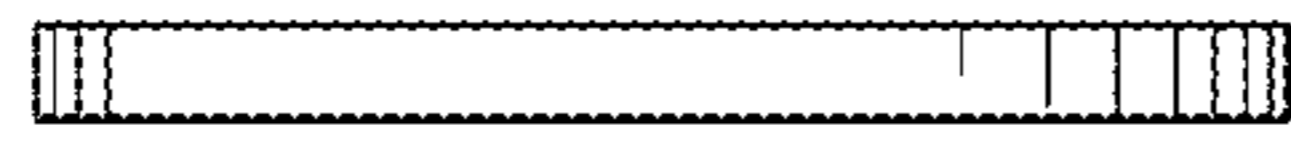


FIG. 12



FIG. 10

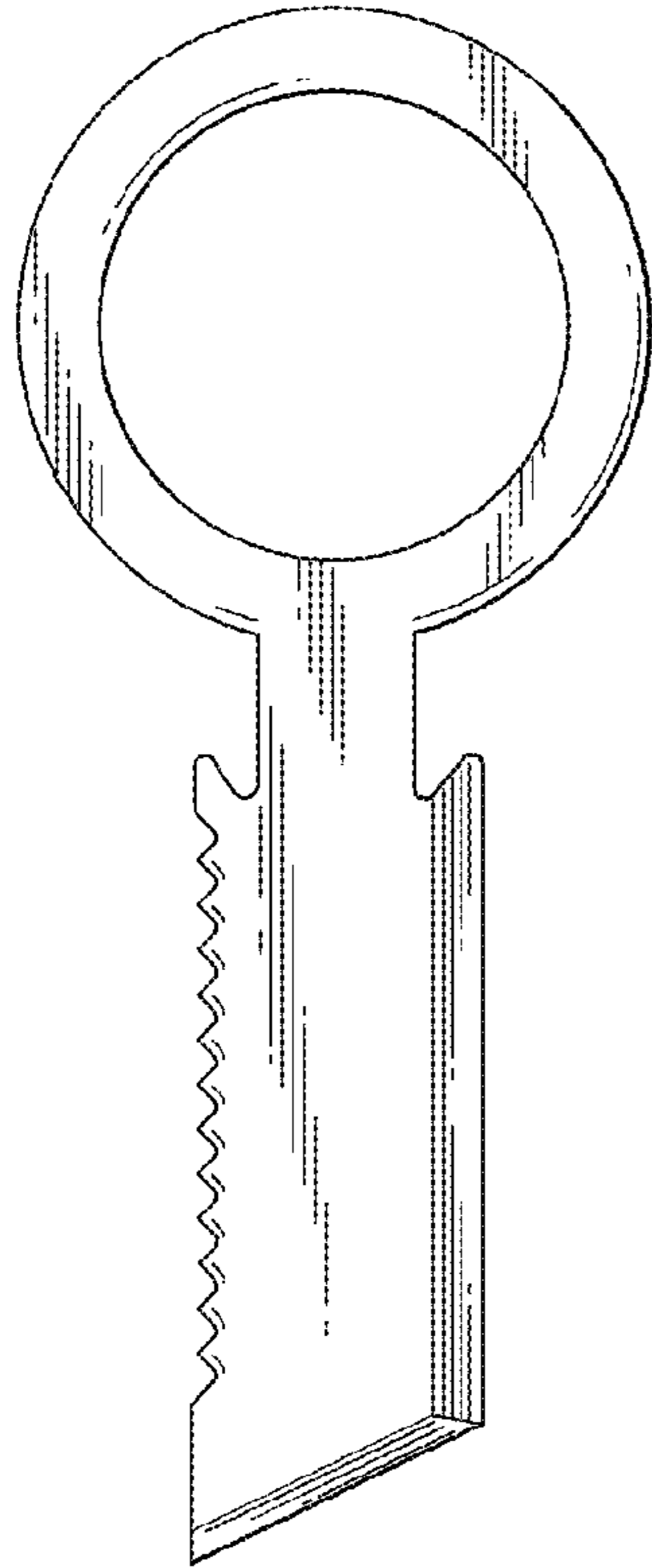


FIG. 8



FIG. 11

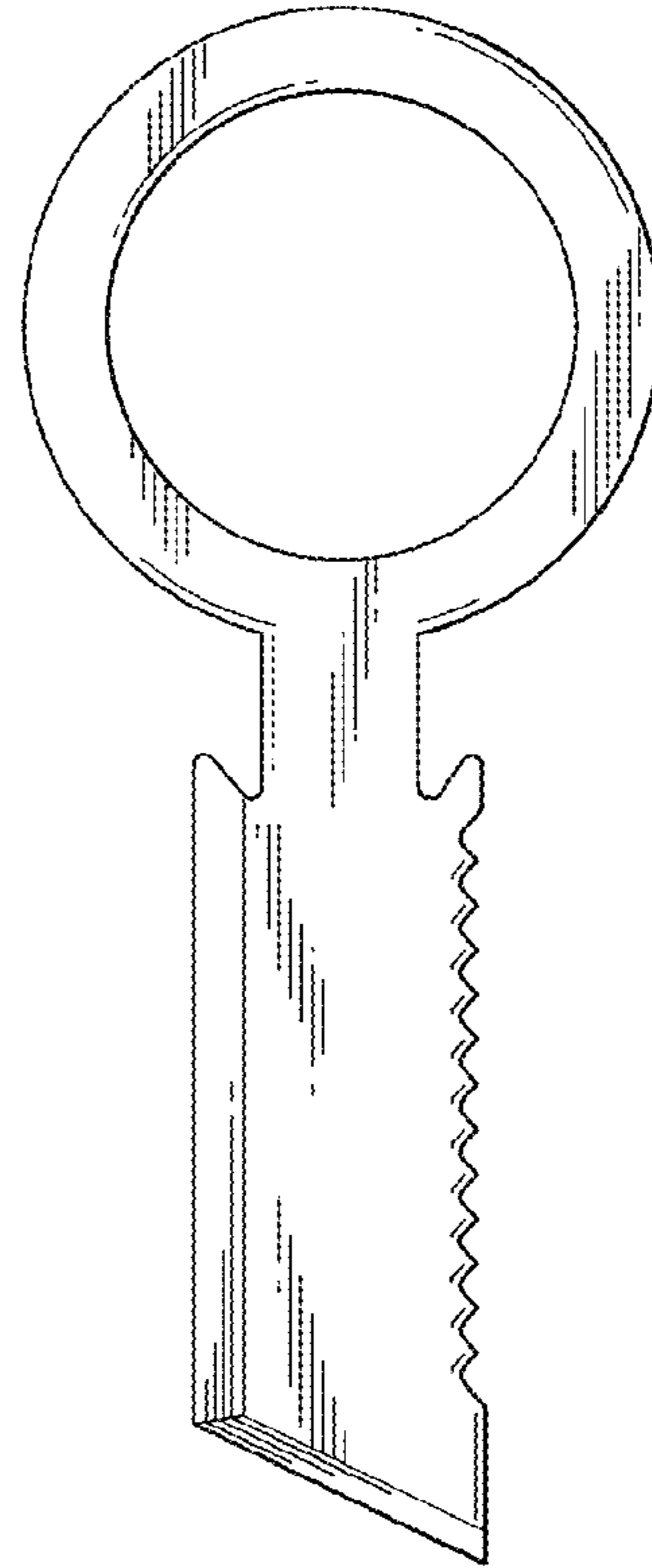


FIG. 9

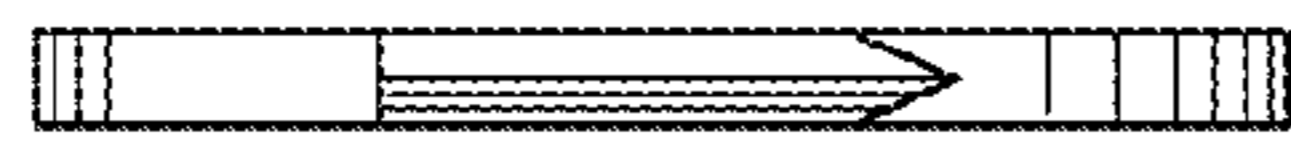


FIG. 13

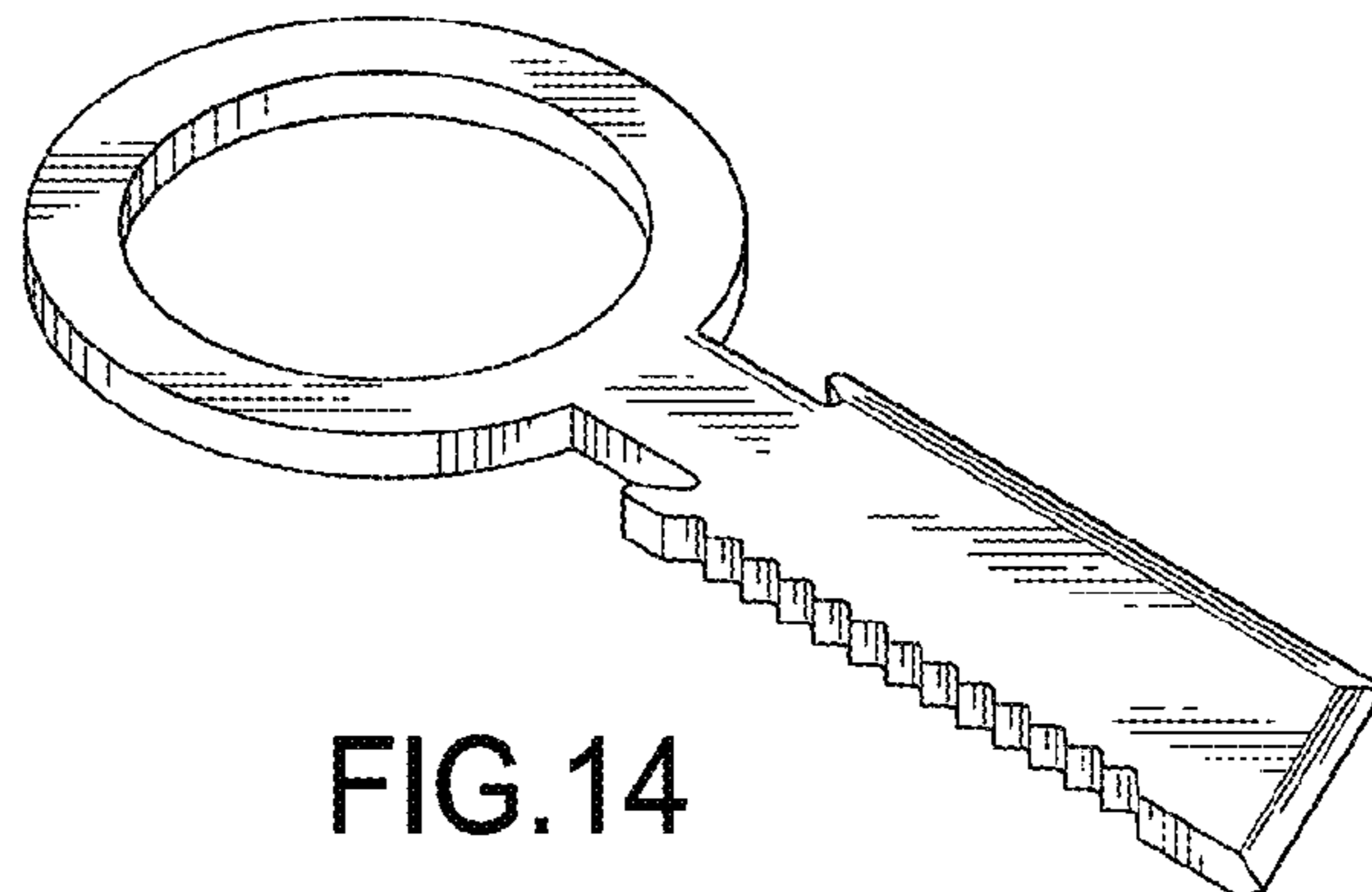


FIG. 14