



US00D684444S

(12) **United States Design Patent**
Medhurst

(10) **Patent No.:** **US D684,444 S**

(45) **Date of Patent:** **** Jun. 18, 2013**

(54) **CUTTING BLADE**

(76) **Inventor:** **Simon Medhurst, Burlington (CA)**

(**) **Term:** **14 Years**

(21) **Appl. No.:** **29/384,571**

(22) **Filed:** **Feb. 1, 2011**

(51) **LOC (9) Cl.** **08-03**

(52) **U.S. Cl.**
USPC **D8/20**

(58) **Field of Classification Search**

USPC D8/5, 16, 18-20, 64, 66, 70, 90-105;
D15/127, 133, 134, 138, 139; D22/117, 118;
D24/146, 147; 7/118, 148, 149; 30/142, 144,
30/165, 166.3, 272.1, 275.4, 276, 314, 320,
30/346, 346.5, 346.55, 346.56, 349, 351,
30/355-357; 83/663, 676, 835, 846, 854
See application file for complete search history.

(56) **References Cited**

U.S. PATENT DOCUMENTS

1,499,698	A *	7/1924	Schoenert	30/346.55
2,384,051	A *	9/1945	Stampleman	30/346.55
D386,655	S *	11/1997	Spirer	D8/20
D455,057	S *	4/2002	Medhurst	D8/20
D475,575	S *	6/2003	Mendenhall	D8/20
D506,663	S *	6/2005	Biller et al.	D8/98
D582,229	S *	12/2008	Johnson	D8/20
D617,162	S *	6/2010	Tom et al.	D8/20
2007/0157476	A1 *	7/2007	Hunt	30/355

* cited by examiner

Primary Examiner — Garth Rademaker

(74) *Attorney, Agent, or Firm* — Patrick J. Hofbauer

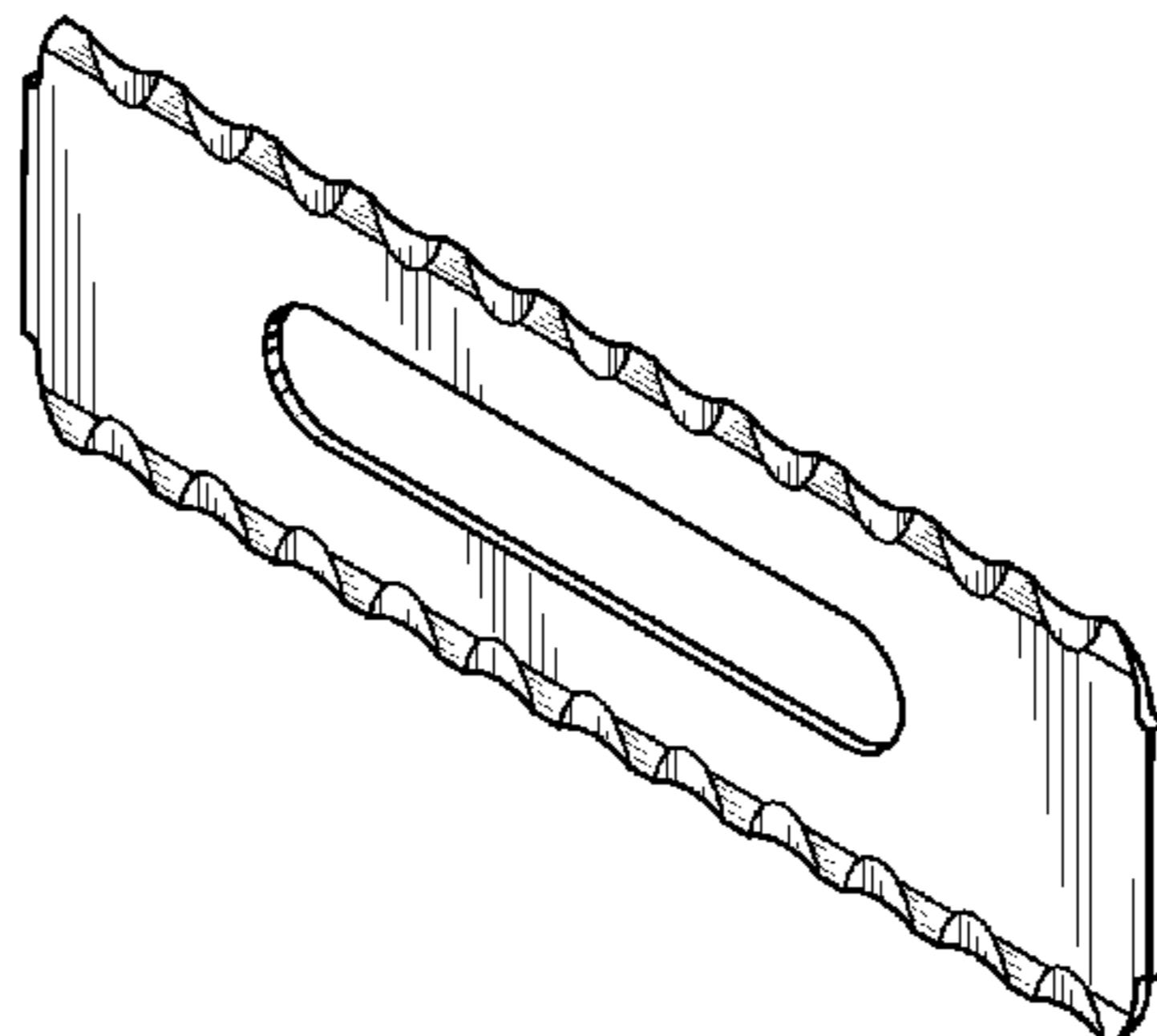
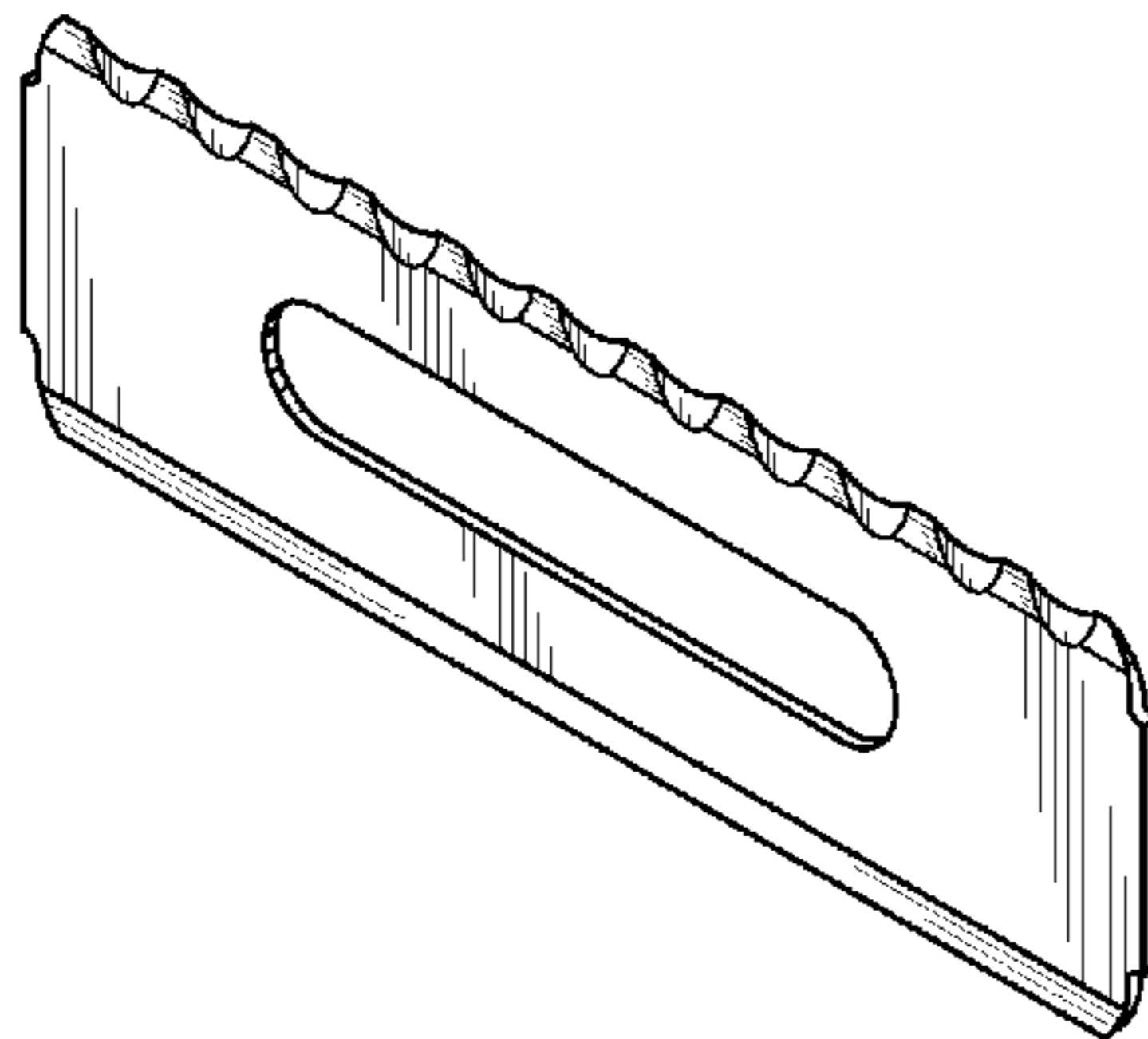
(57) **CLAIM**

The ornamental design for a cutting blade, as shown and described.

DESCRIPTION

FIG. 1 is a top, right perspective view of a first embodiment of a cutting blade showing my new design;
FIG. 2 is a top, left perspective view thereof;
FIG. 3 is a left side elevational view thereof;
FIG. 4 is an end elevational view thereof;
FIG. 5 is a right side elevational view thereof;
FIG. 6 is a top, right perspective view of a second embodiment of a cutting blade showing my new design;
FIG. 7 is a top, left perspective view thereof;
FIG. 8 is a left side elevational view thereof;
FIG. 9 is an end elevational view thereof;
FIG. 10 is a right side elevational view thereof;
FIG. 11 is a top, right perspective view of a third embodiment of a cutting blade showing my new design;
FIG. 12 is a top, left perspective view thereof;
FIG. 13 is a left side elevational view thereof;
FIG. 14 is an end elevational view thereof;
FIG. 15 is a right side elevational view thereof;
FIG. 16 is a top, right perspective view of a fourth embodiment of a cutting blade showing my new design;
FIG. 17 is a top, left perspective view thereof;
FIG. 18 is a left side elevational view thereof;
FIG. 19 is an end elevational view thereof;
FIG. 20 is a right side elevational view thereof;
FIG. 21 is a top, right perspective view of a fifth embodiment of a cutting blade showing my new design;
FIG. 22 is a top, left perspective view thereof;
FIG. 23 is a left side elevational view thereof;
FIG. 24 is an end elevational view thereof; and,
FIG. 25 is a right side elevational view thereof.

1 Claim, 5 Drawing Sheets



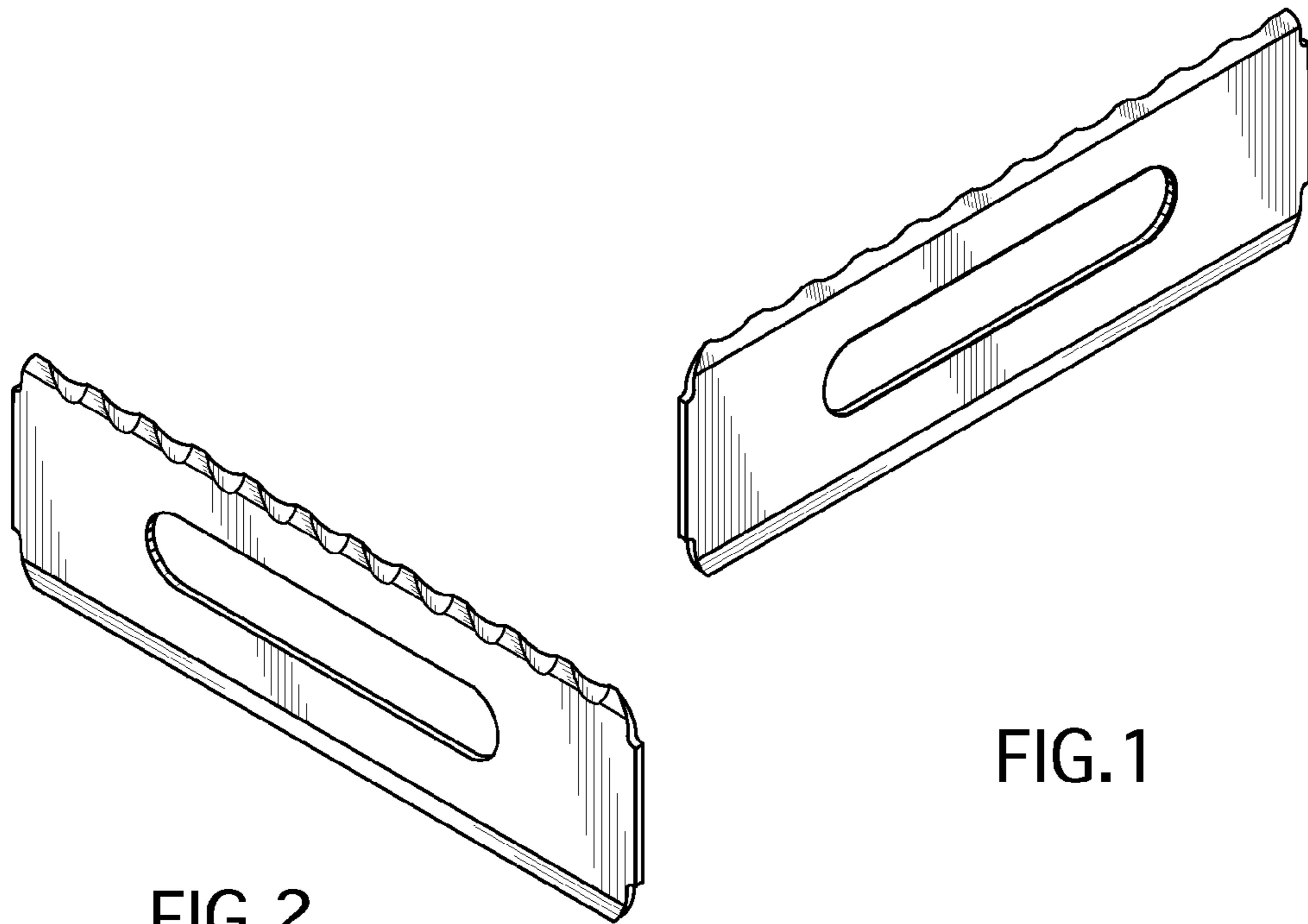


FIG. 1

FIG. 2

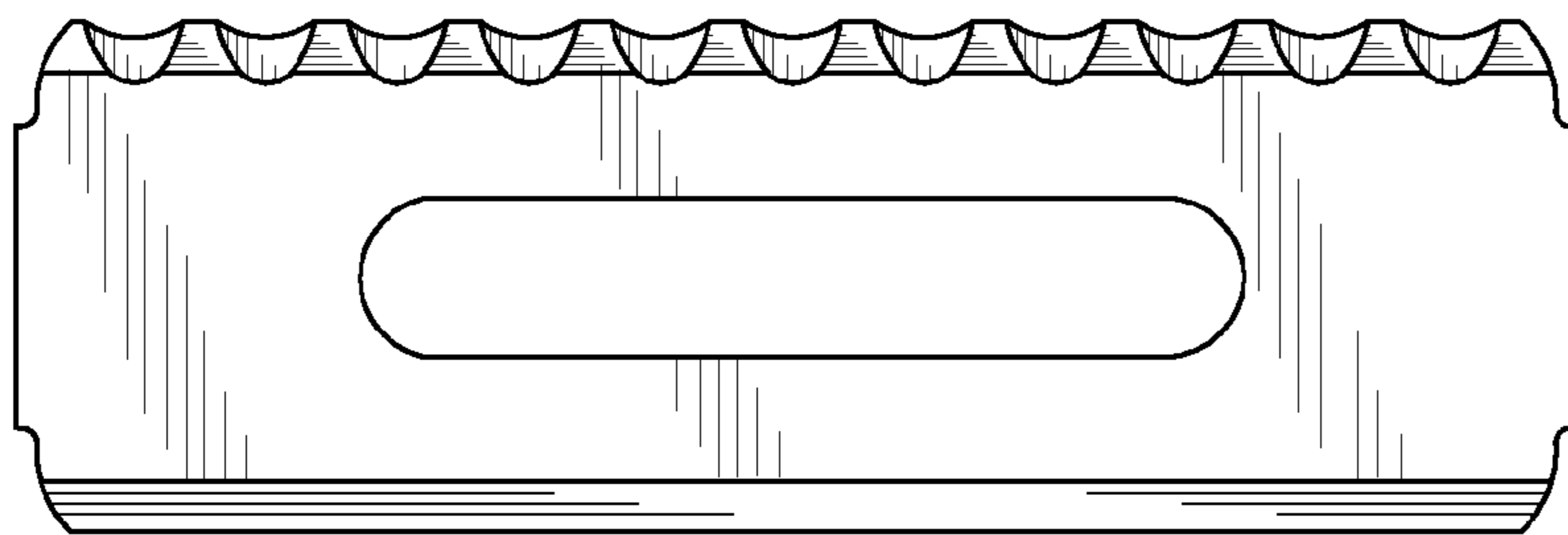


FIG. 3



FIG. 4

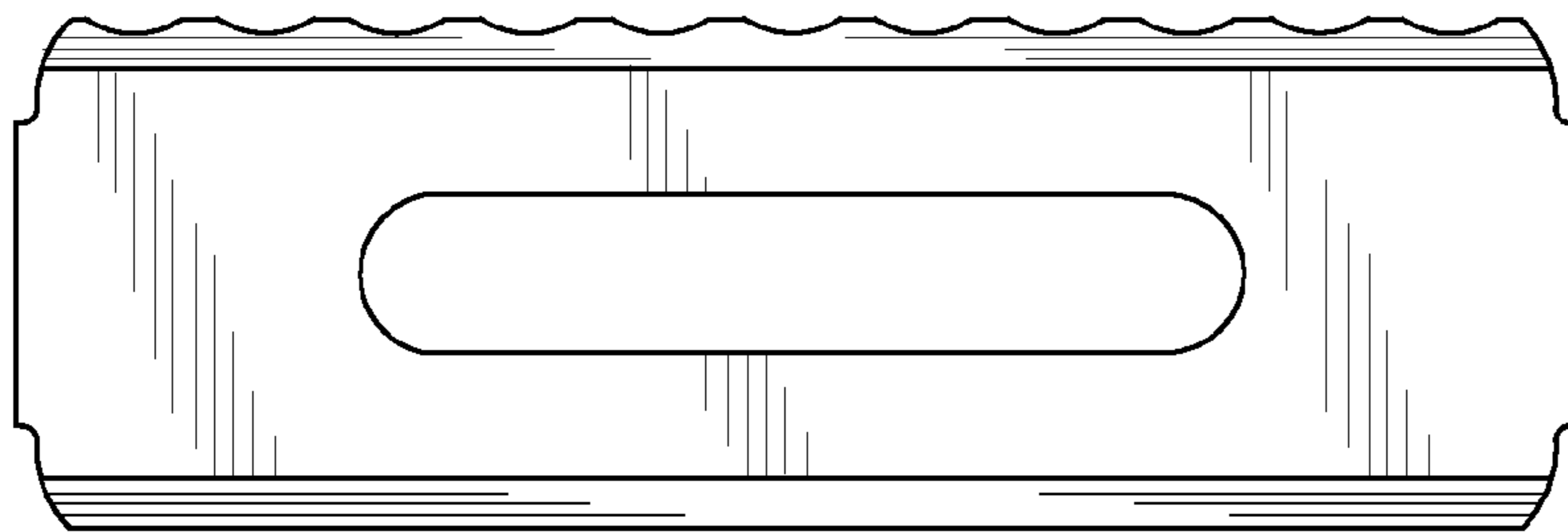
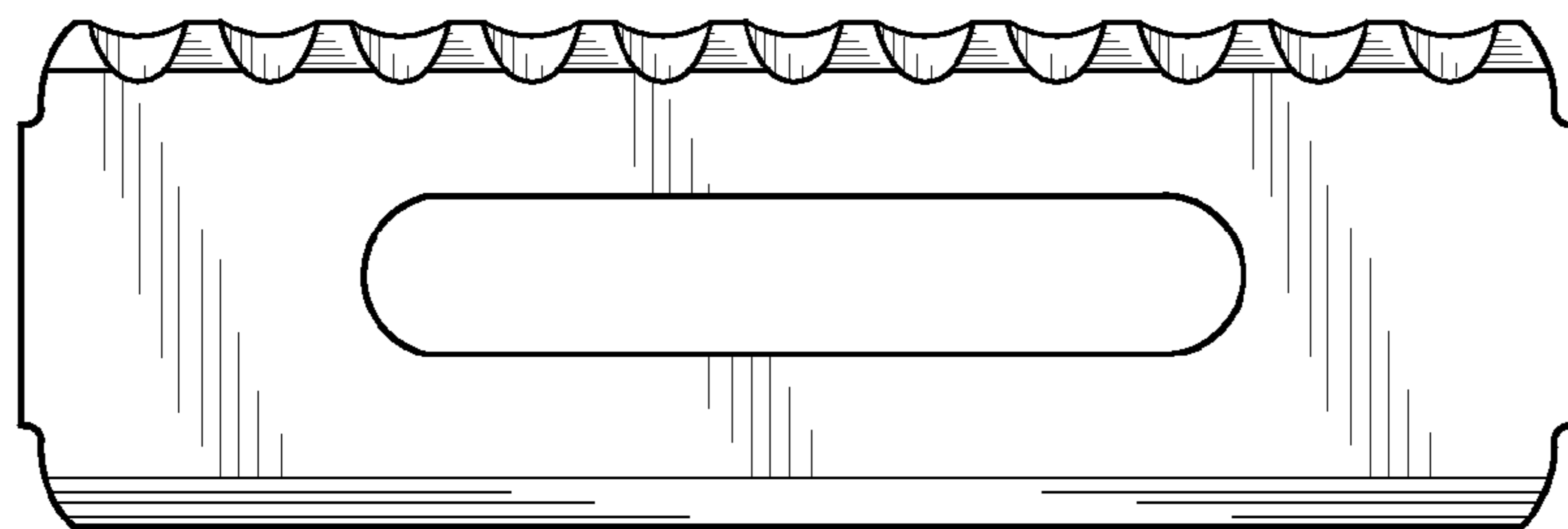
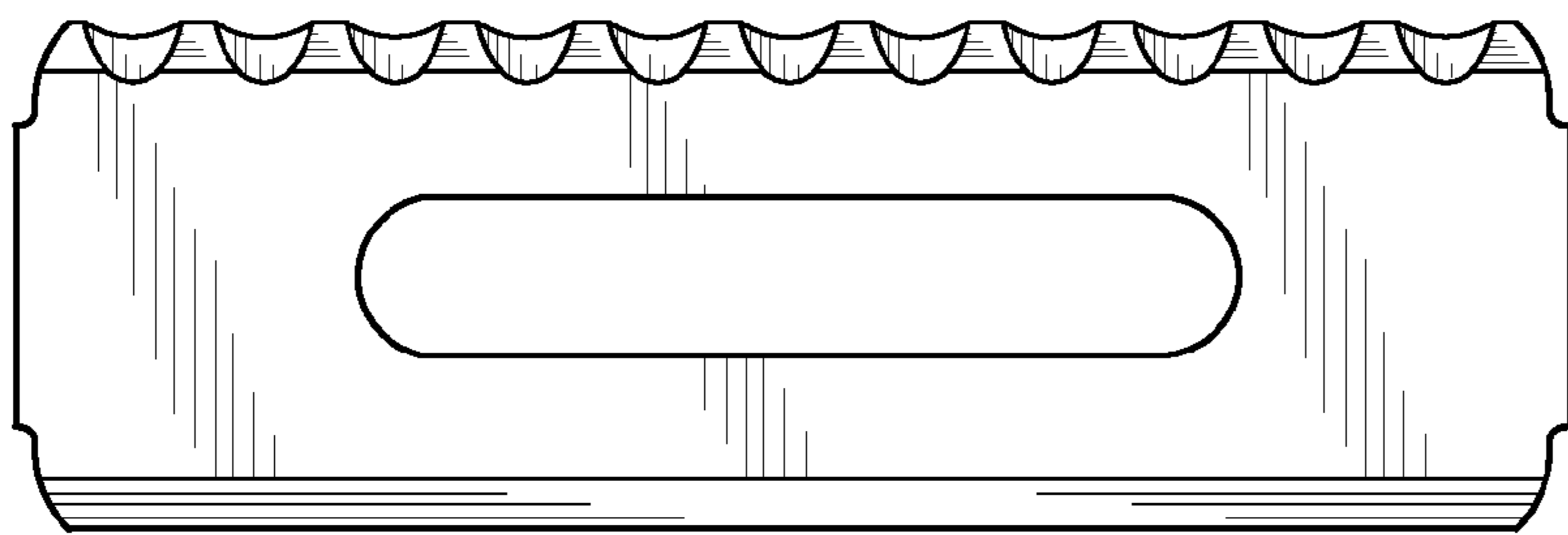
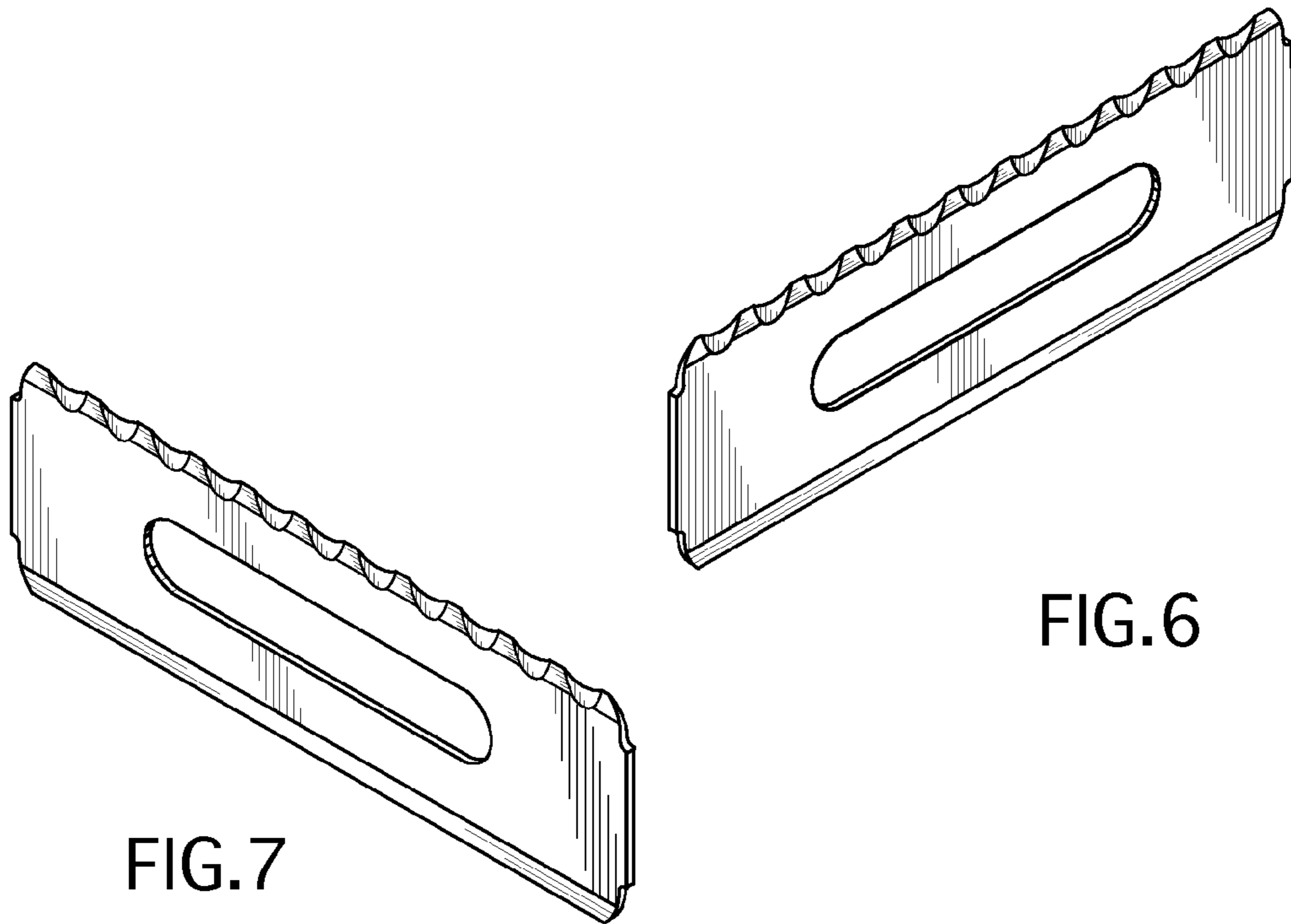


FIG. 5



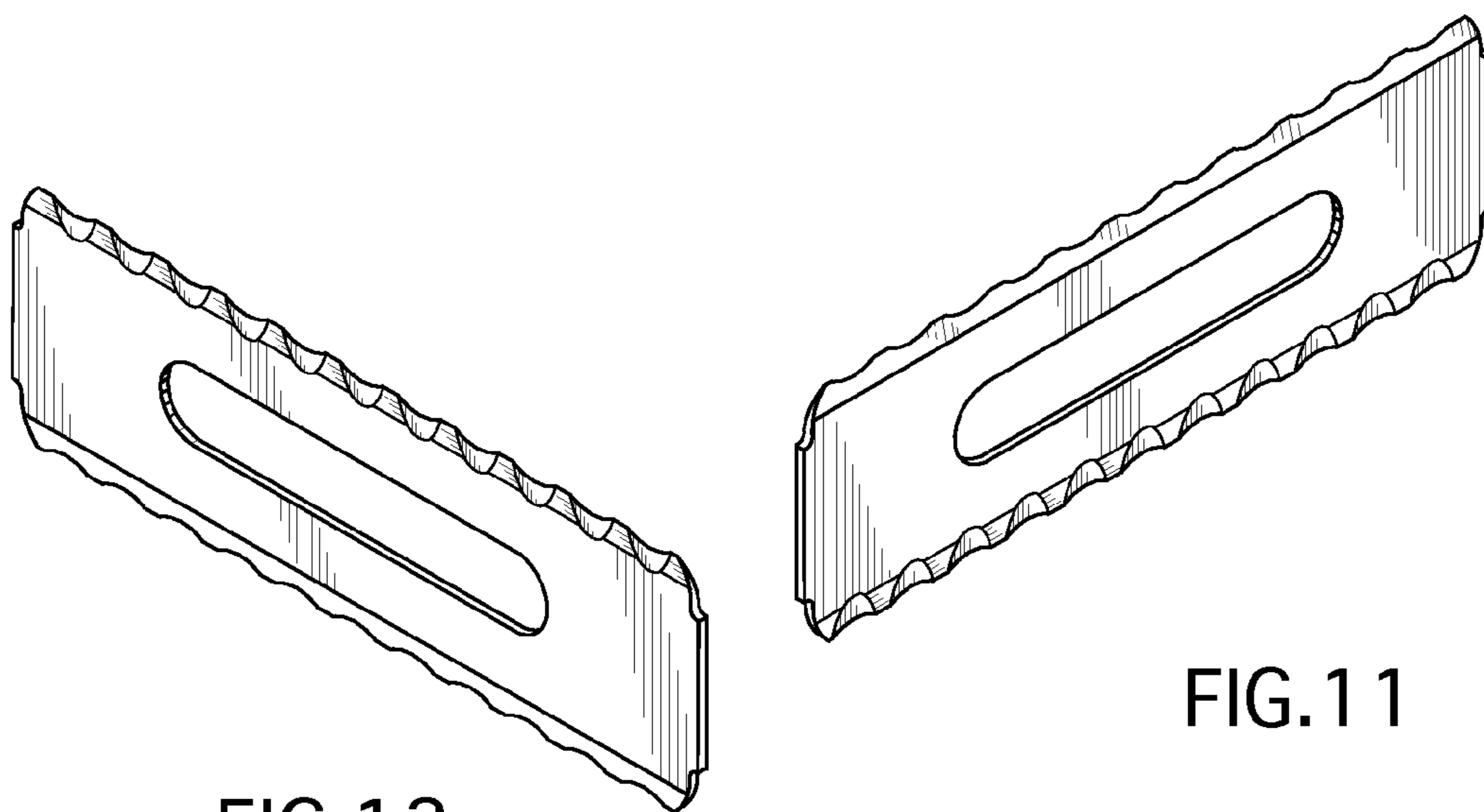


FIG.12

FIG.11

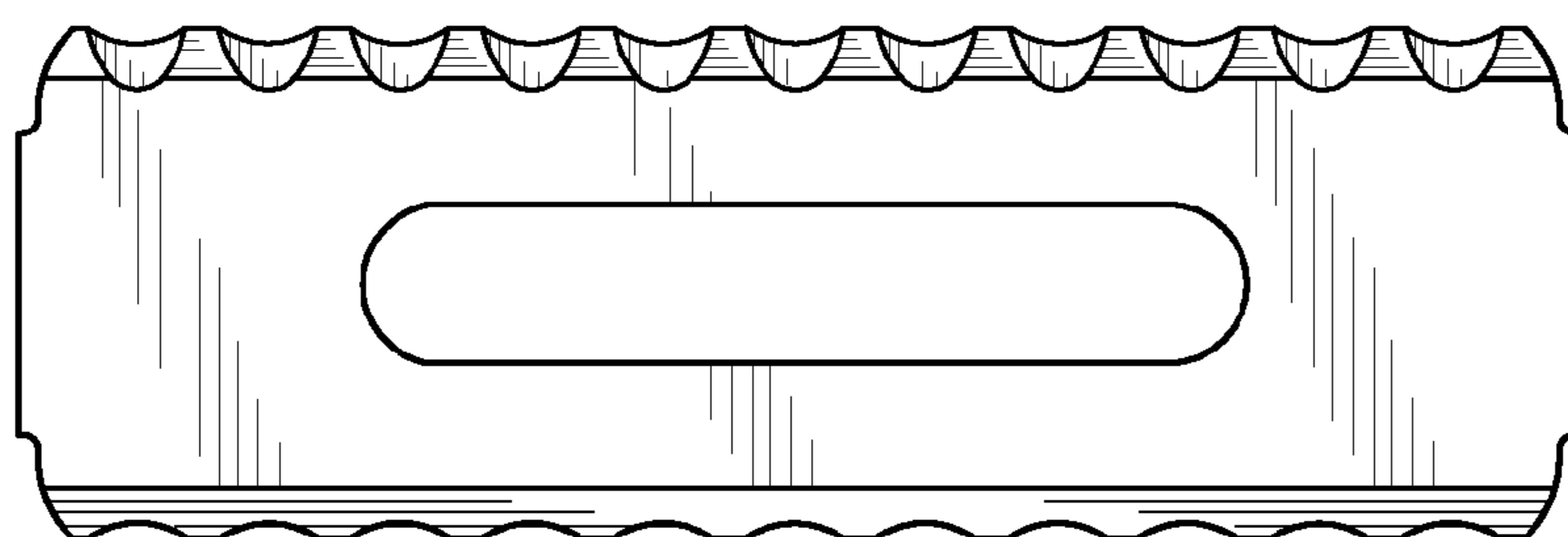


FIG.13

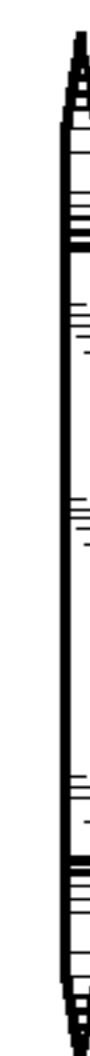


FIG.14

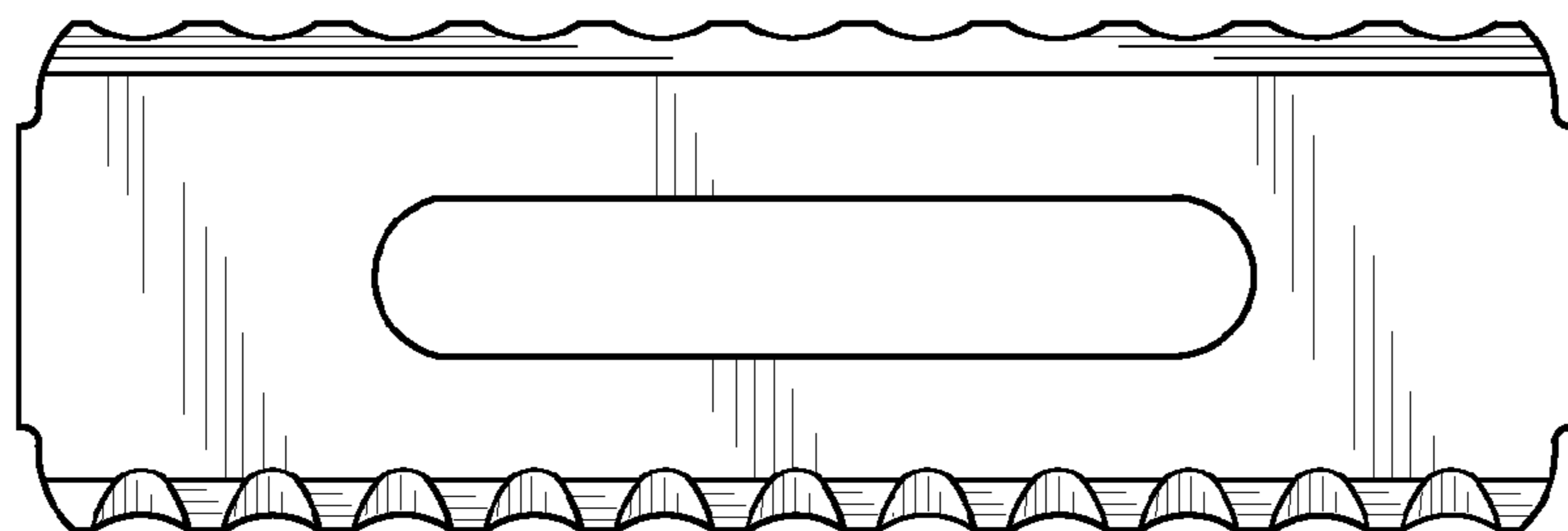


FIG.15

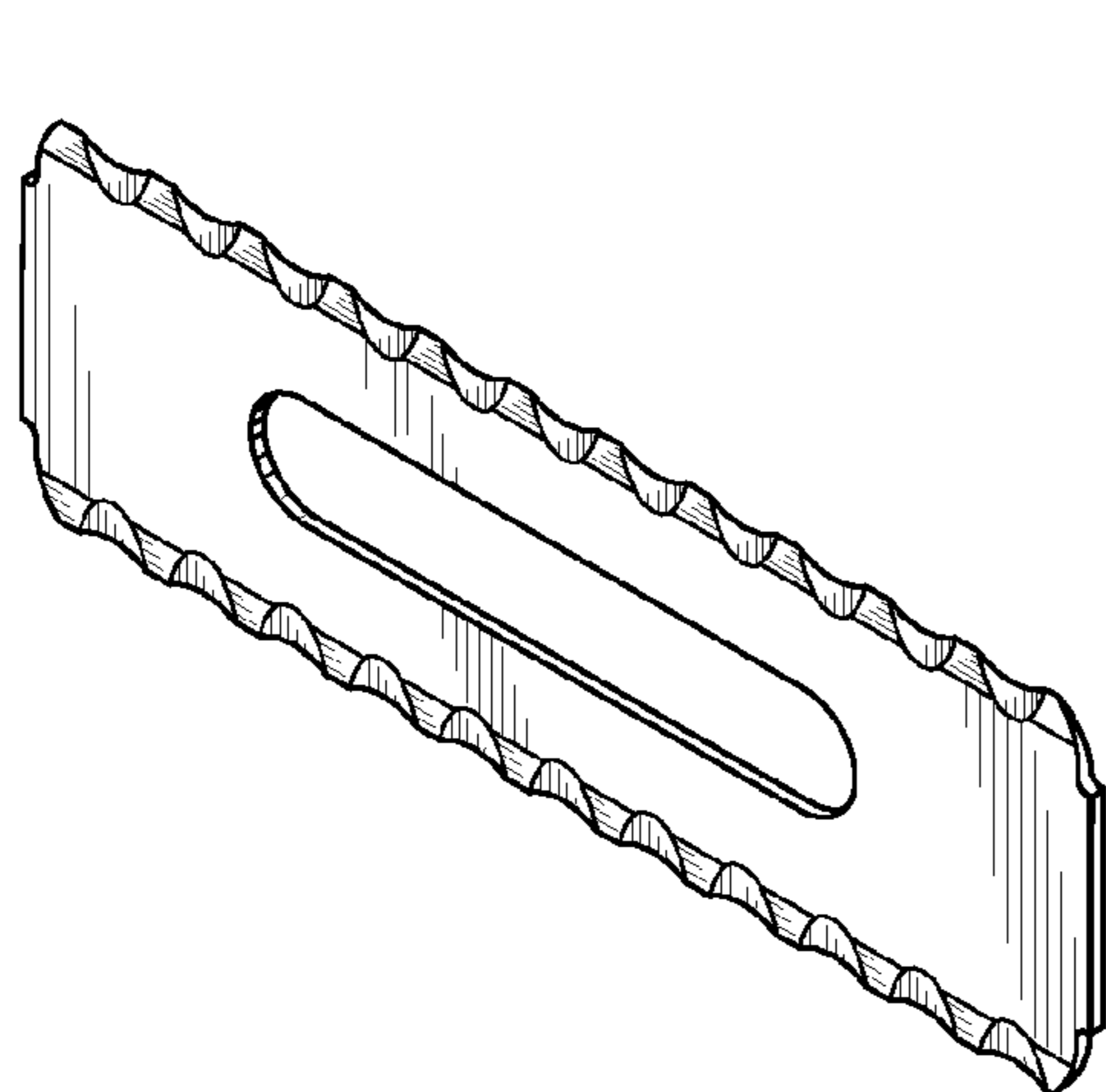


FIG.17

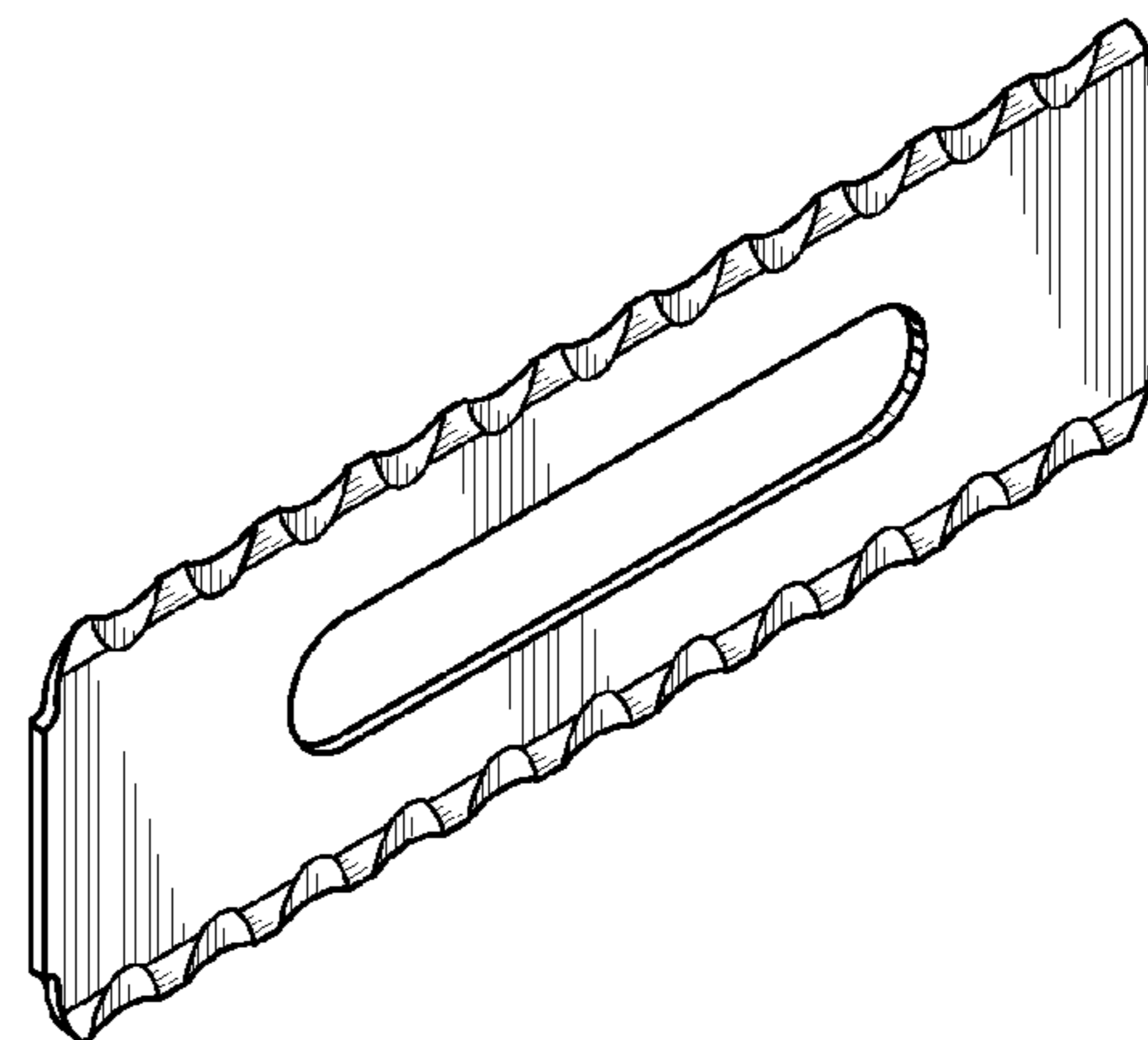


FIG.16

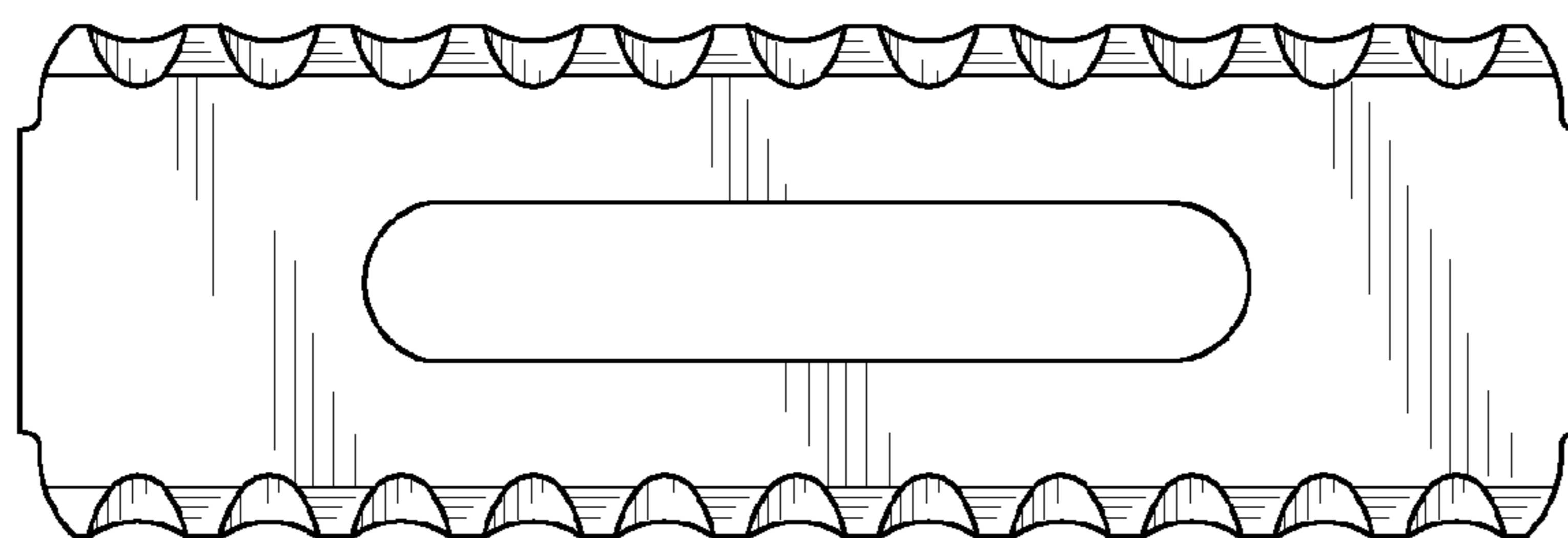


FIG.18



FIG.19

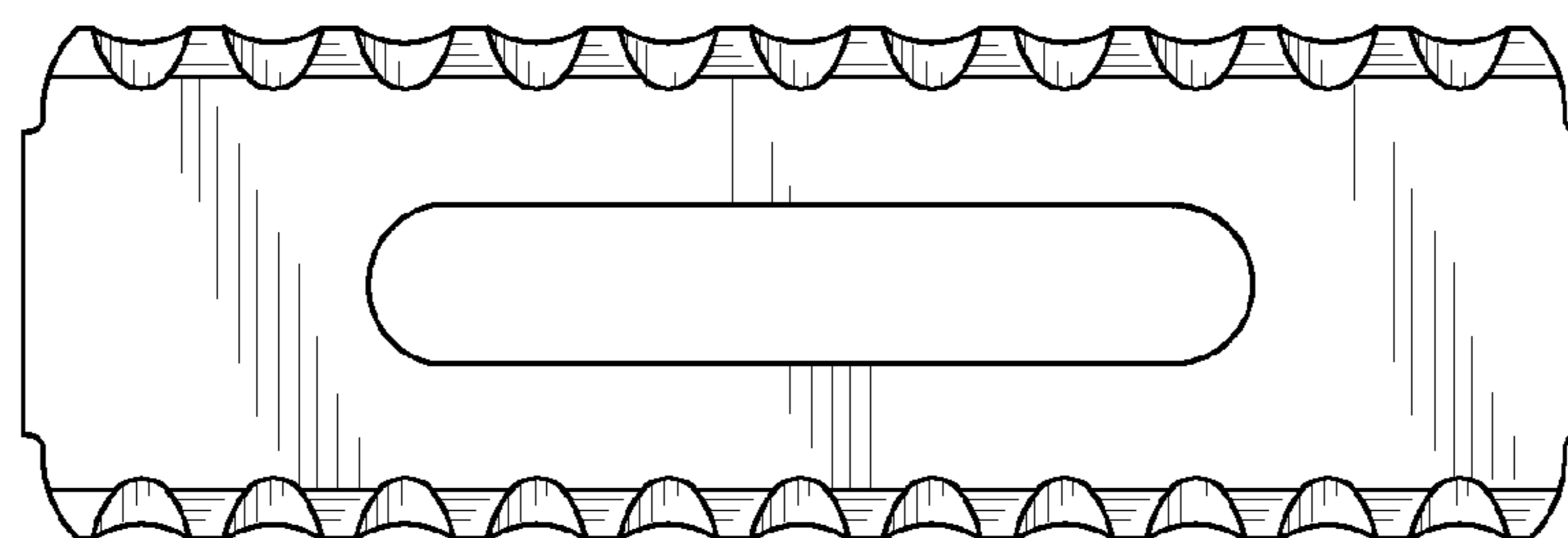


FIG.20

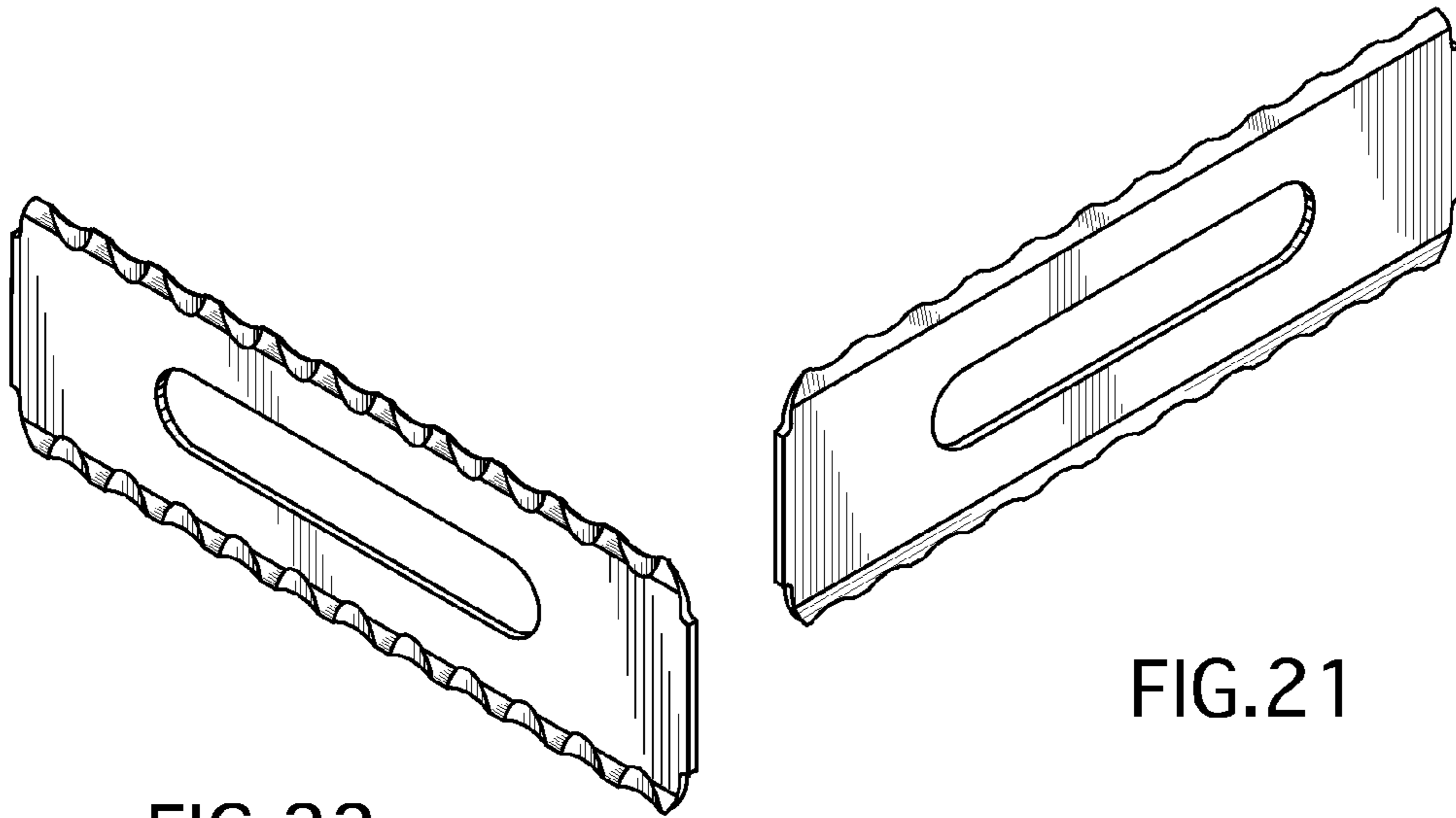


FIG. 21

FIG. 22

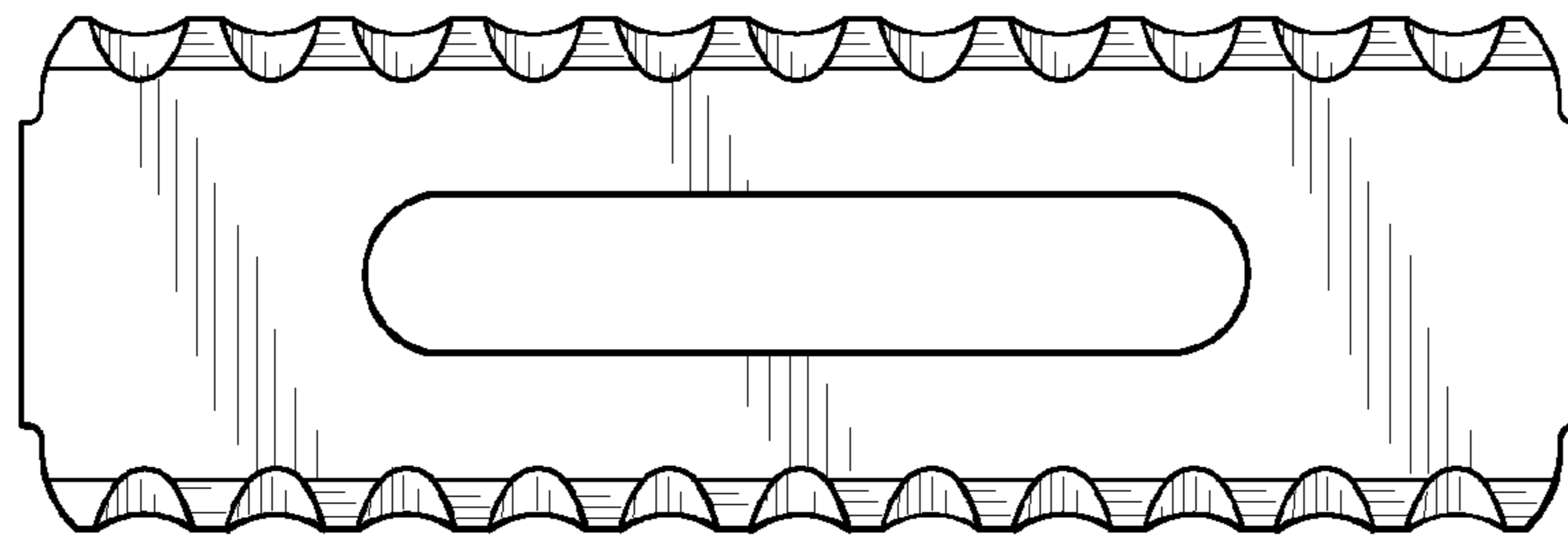


FIG. 23

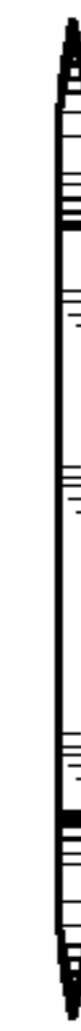


FIG. 24

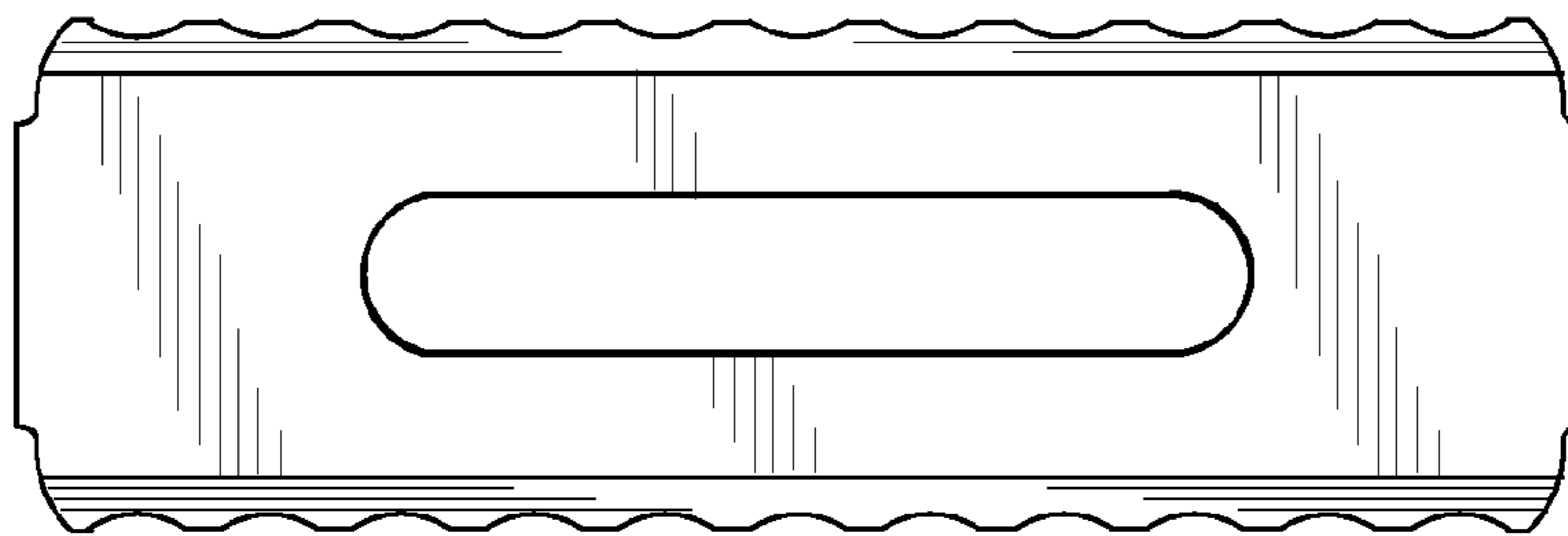


FIG. 25