



US00D684442S

(12) **United States Design Patent**
Gehman et al.

(10) **Patent No.:** **US D684,442 S**
(45) **Date of Patent:** **** Jun. 18, 2013**

(54) **SHOVEL HEAD**

(75) Inventors: **Michael C. Gehman**, York, PA (US);
Eric Daniel Hyp, Harrisburg, PA (US)

(73) Assignee: **Ames True Temper, Inc.**, Camp Hill, PA (US)

(**) Term: **14 Years**

(21) Appl. No.: **29/424,519**

(22) Filed: **Jun. 13, 2012**

(51) **LOC (9) Cl.** **08-01**

(52) **U.S. Cl.**
USPC **D8/10**

(58) **Field of Classification Search**
USPC D8/10; 294/49, 53.5, 54.5, 57, 55.5;
56/400.1; 172/371-372

See application file for complete search history.

(56) **References Cited**

U.S. PATENT DOCUMENTS

4,125,951	A	*	11/1978	Huerth	37/265
D261,351	S	*	10/1981	Carper	D8/10
D271,369	S	*	11/1983	Gesner	D8/10
D405,665	S	*	2/1999	Whitehead et al.	D8/10

D563,182	S	*	3/2008	Kopp	D8/10
D564,846	S	*	3/2008	Kopp	D8/10
D613,136	S	*	4/2010	Begin et al.	D8/10
D637,875	S	*	5/2011	Gehman et al.	D8/10
7,946,637	B1	*	5/2011	Gehman et al.	294/54.5
D651,488	S	*	1/2012	Gehman et al.	D8/10
D667,283	S	*	9/2012	Blouin	D8/10

* cited by examiner

Primary Examiner — Sheryl Lane

(74) *Attorney, Agent, or Firm* — Eckert Seamans Cherin & Mellott, LLC; Brij K. Agarwal

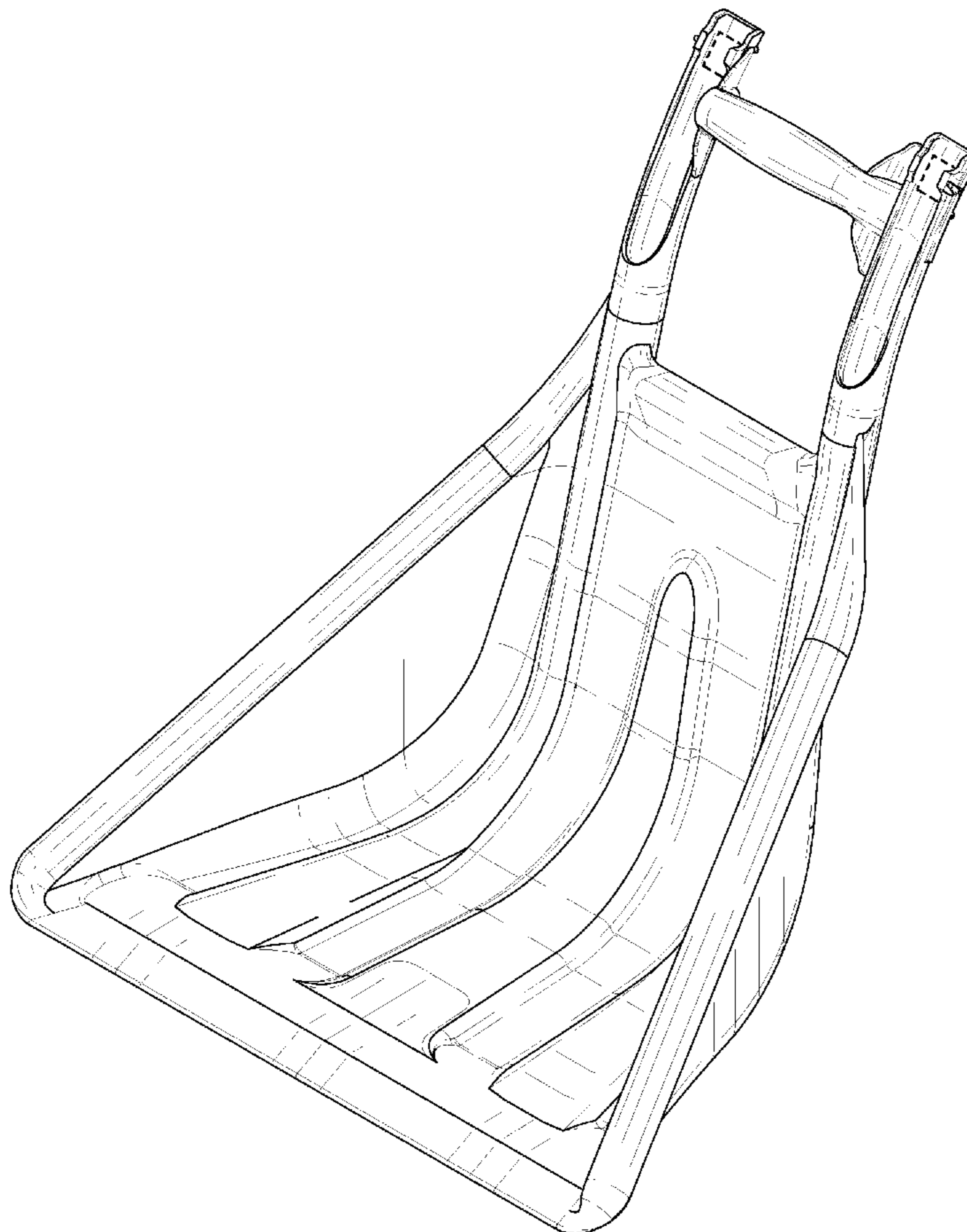
(57) **CLAIM**

The ornamental design for a shovel head, as shown and described.

DESCRIPTION

FIG. 1 is a perspective view of the shovel head;
FIG. 2 is a front elevational view thereof;
FIG. 3 is a top plan view thereof
FIG. 4 is a rear elevational view thereof;
FIG. 5 is a left side elevational view thereof;
FIG. 6 is a right side elevational view thereof; and,
FIG. 7 is a bottom plan view thereof.

1 Claim, 7 Drawing Sheets



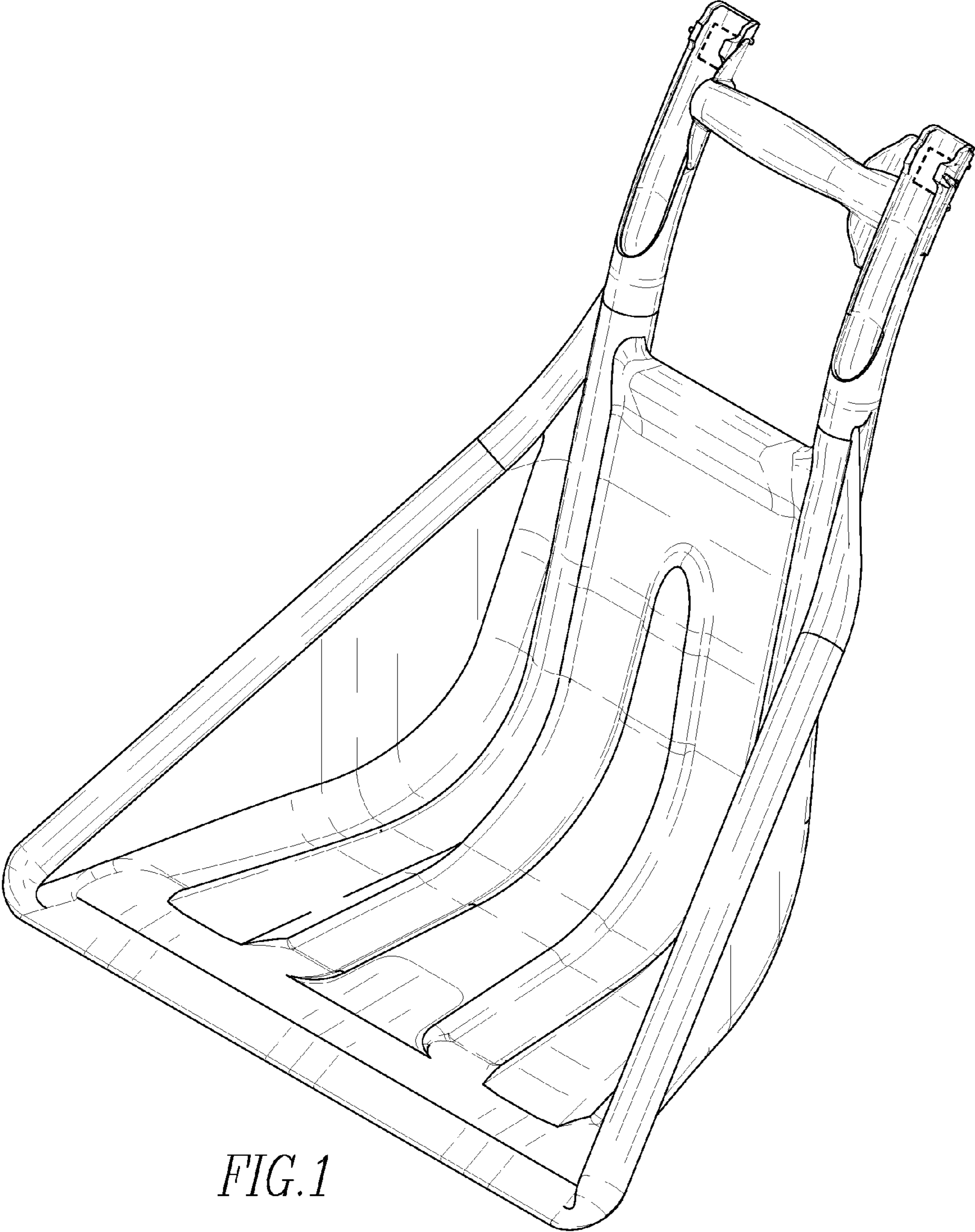


FIG. 1

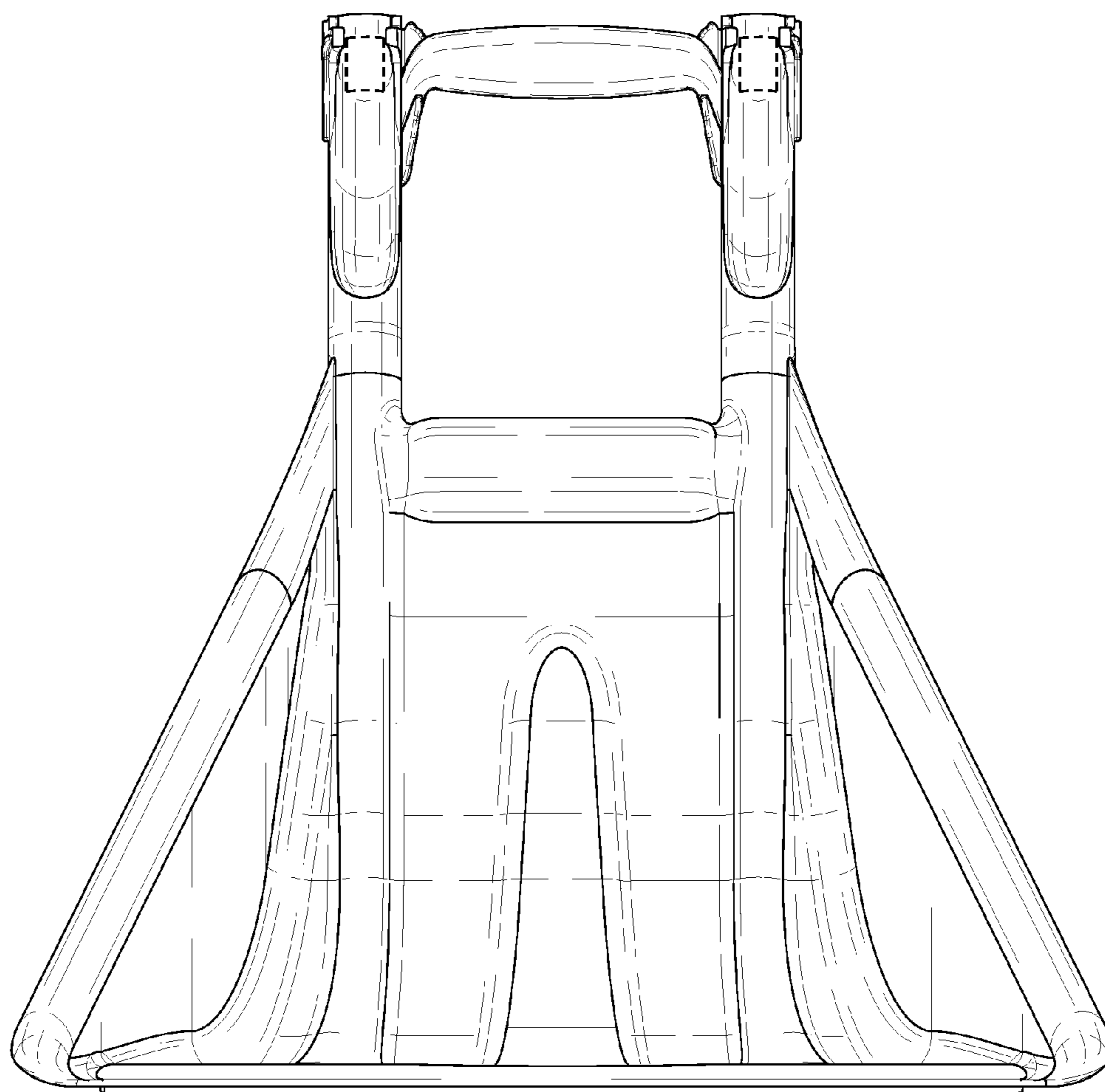


FIG. 2

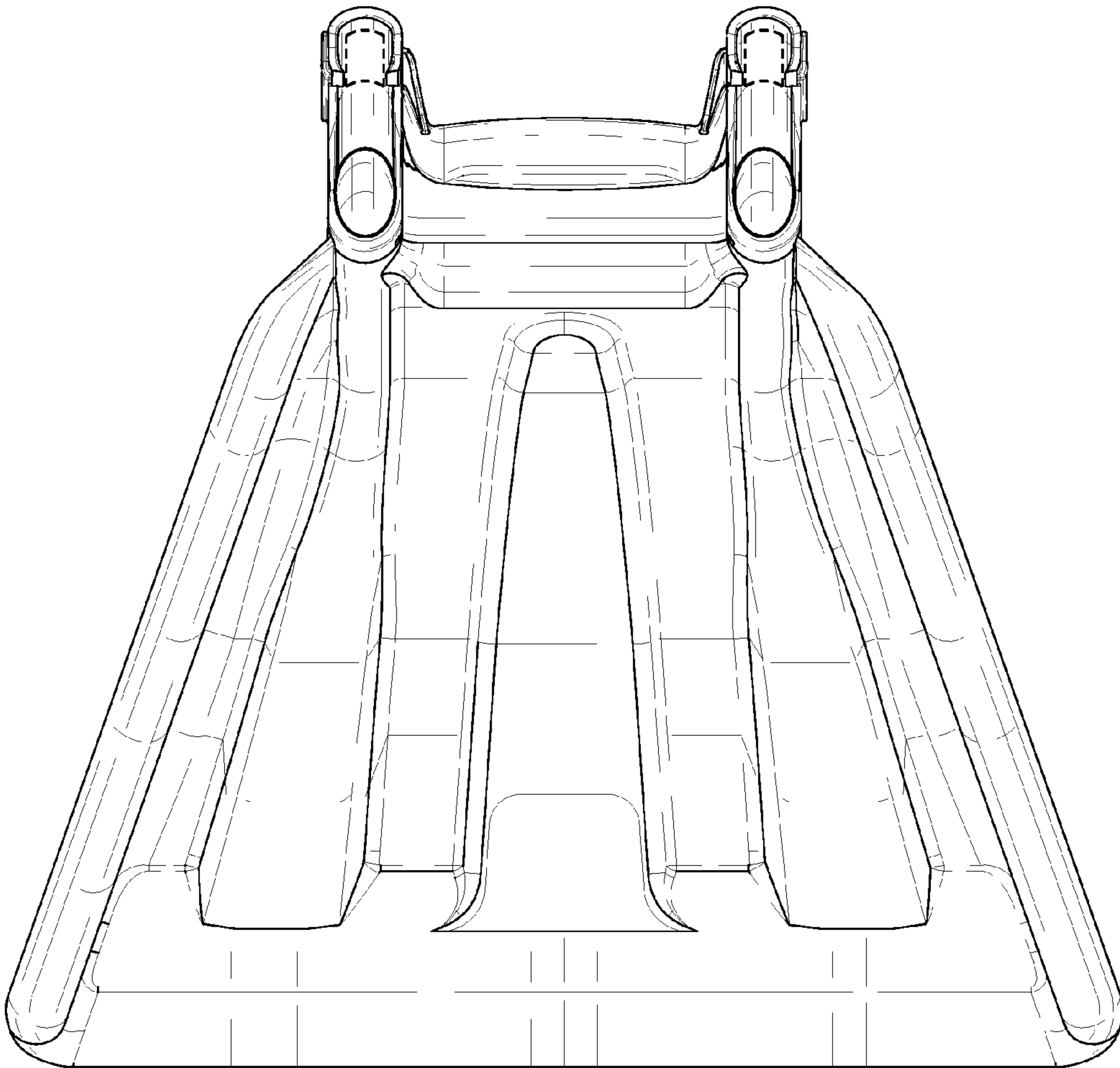


FIG. 3

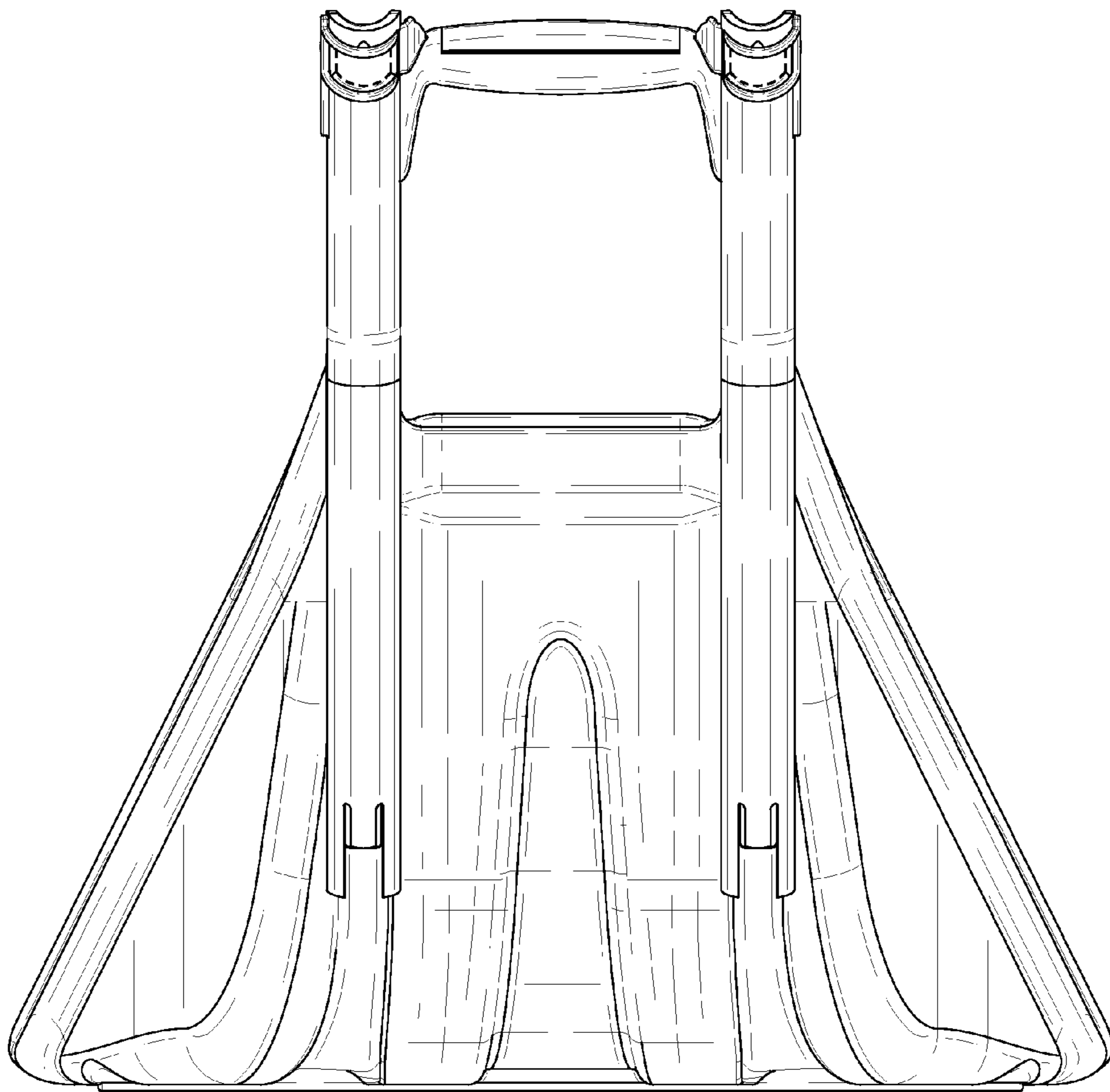


FIG. 4

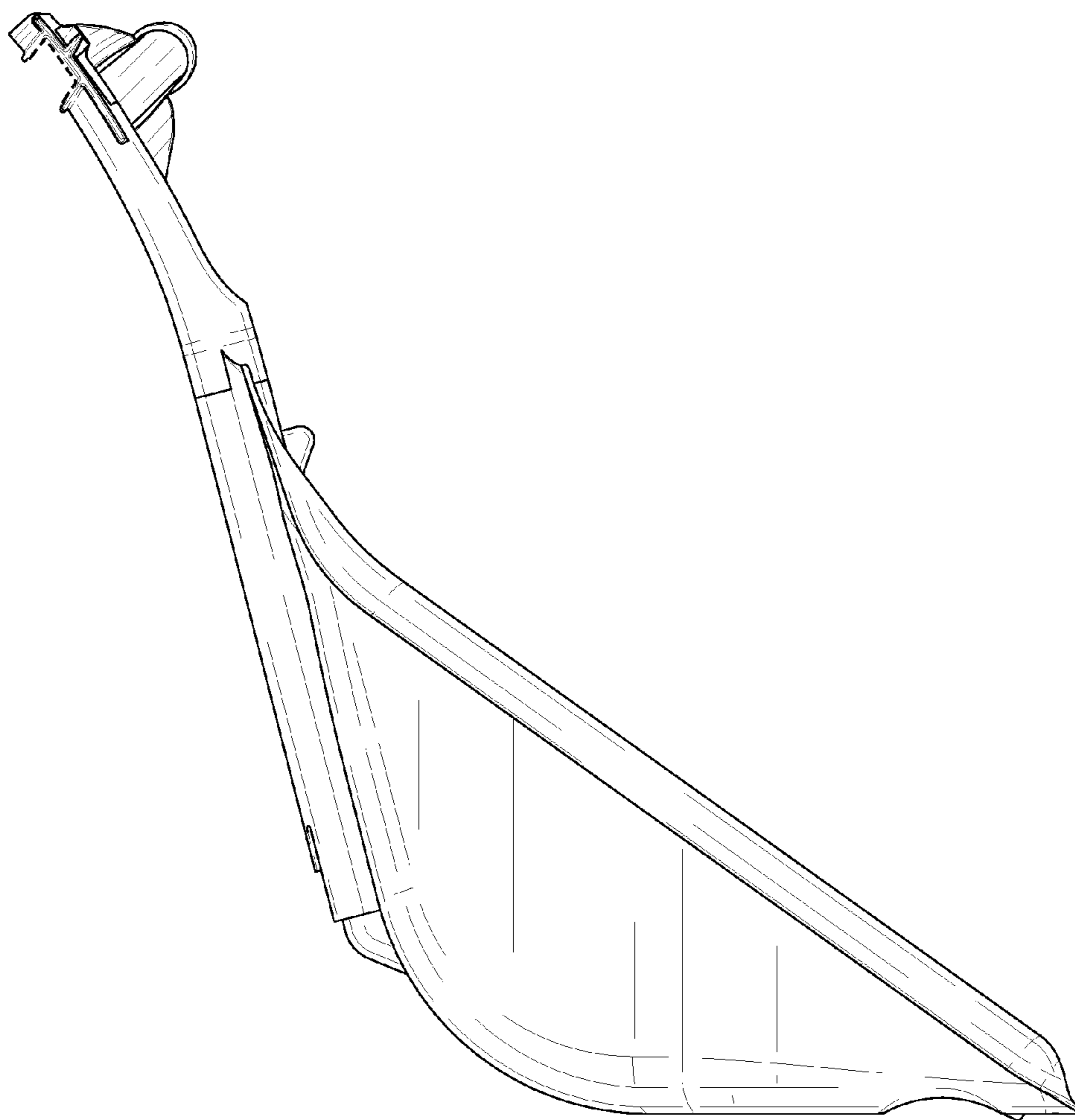


FIG. 5

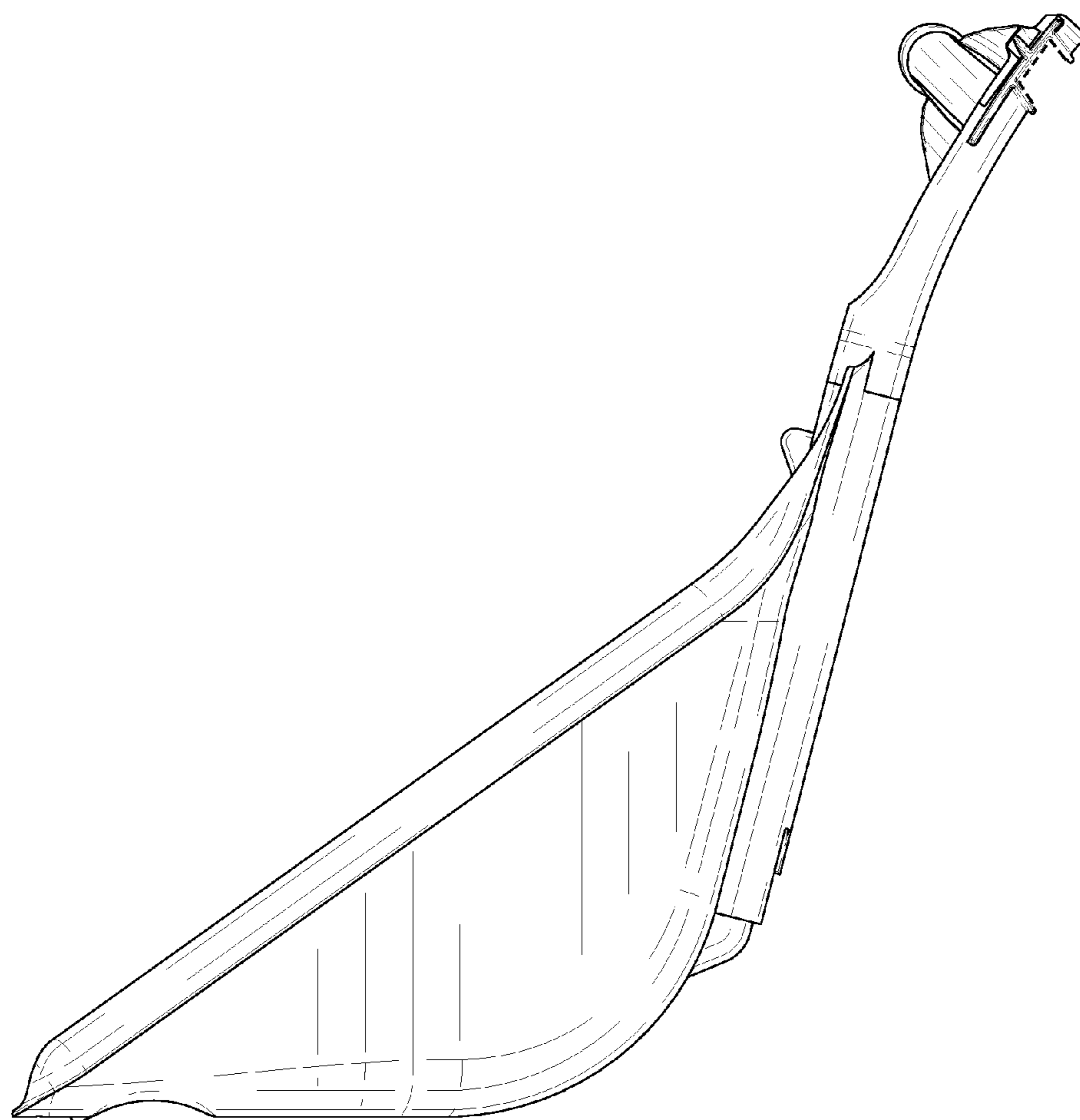


FIG. 6

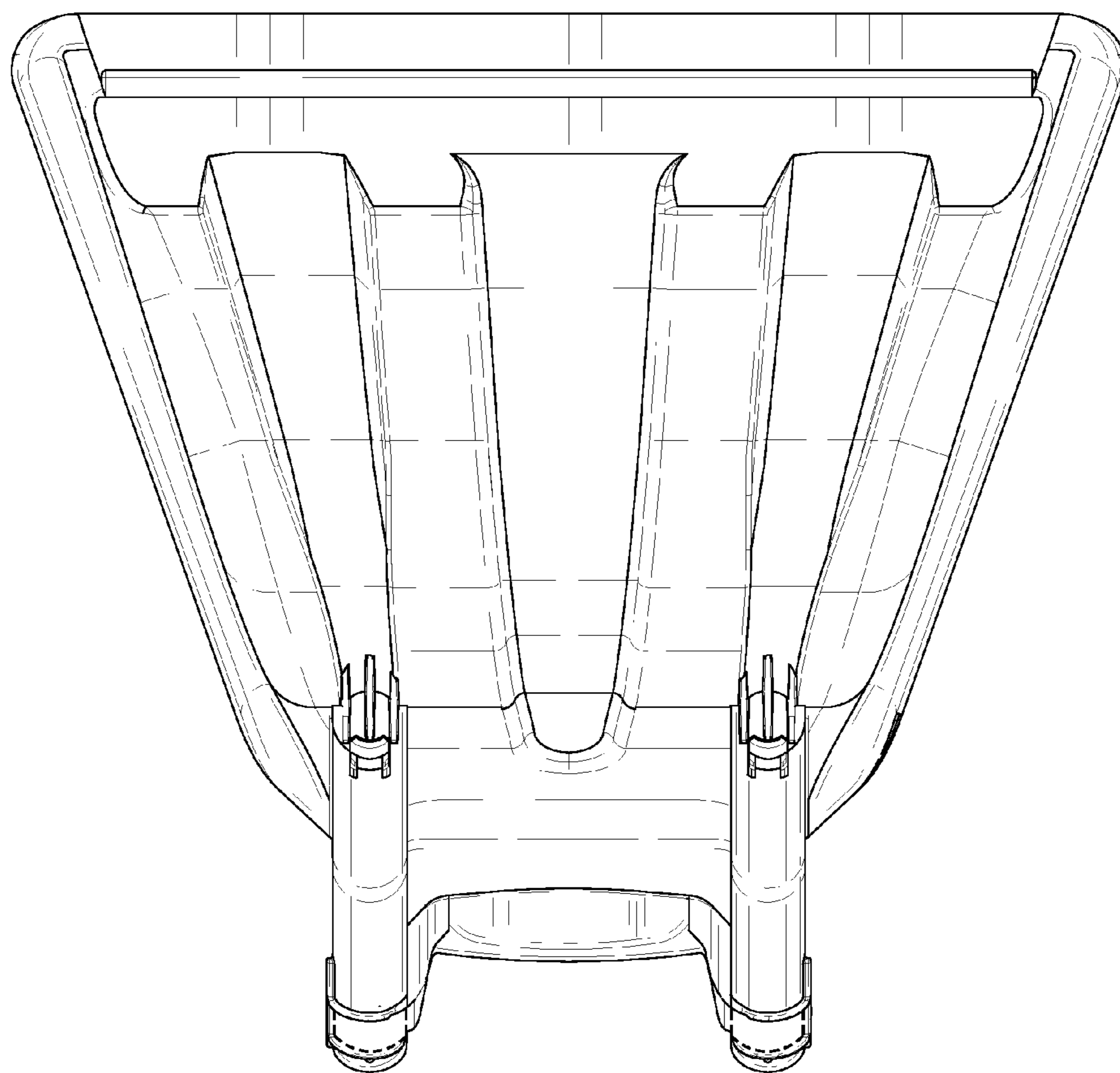


FIG. 7