



US00D684441S

(12) **United States Design Patent**
Baker

(10) **Patent No.:** **US D684,441 S**

(45) **Date of Patent:** **** Jun. 18, 2013**

(54) **GARDEN SCOOP**

(75) Inventor: **Bruce Baker**, Ann Arbor, MI (US)

(73) Assignee: **Radius Garden LLC**, Ann Arbor, FL (US)

(**) Term: **14 Years**

(21) Appl. No.: **29/405,216**

(22) Filed: **Oct. 31, 2011**

(51) **LOC (9) Cl.** **08-01**

(52) **U.S. Cl.**
USPC **D8/10**

(58) **Field of Classification Search**
USPC D8/1, 10, 7, 11, 9; 294/49, 53.5, 294/54.5, 57, 55.5, 51, 56, 58; 56/400.01, 56/400.14; 172/371-372; D30/162; 209/418-419
See application file for complete search history.

(56) **References Cited**

U.S. PATENT DOCUMENTS

D352,873	S	*	11/1994	Chen	D8/9
5,765,648	A		6/1998	Sheehan et al.		
5,960,891	A		10/1999	Sheehan et al.		
D426,436	S	*	6/2000	Ng	D8/10
D582,226	S	*	12/2008	DeMar et al.	D8/10

D595,550	S	*	7/2009	Wong et al.	D8/10
D601,866	S	*	10/2009	Carroll	D8/10
D601,867	S	*	10/2009	Carroll	D8/10
D626,390	S	*	11/2010	Randolph et al.	D8/10
7,832,125	B1		11/2010	Palmby		
D653,510	S	*	2/2012	Huff	D8/10
2008/0309106	A1		12/2008	Baker		

* cited by examiner

Primary Examiner — Sheryl Lane

(74) *Attorney, Agent, or Firm* — Gifford, Krass, Sprinkle, Anderson & Citkowski, P.C.

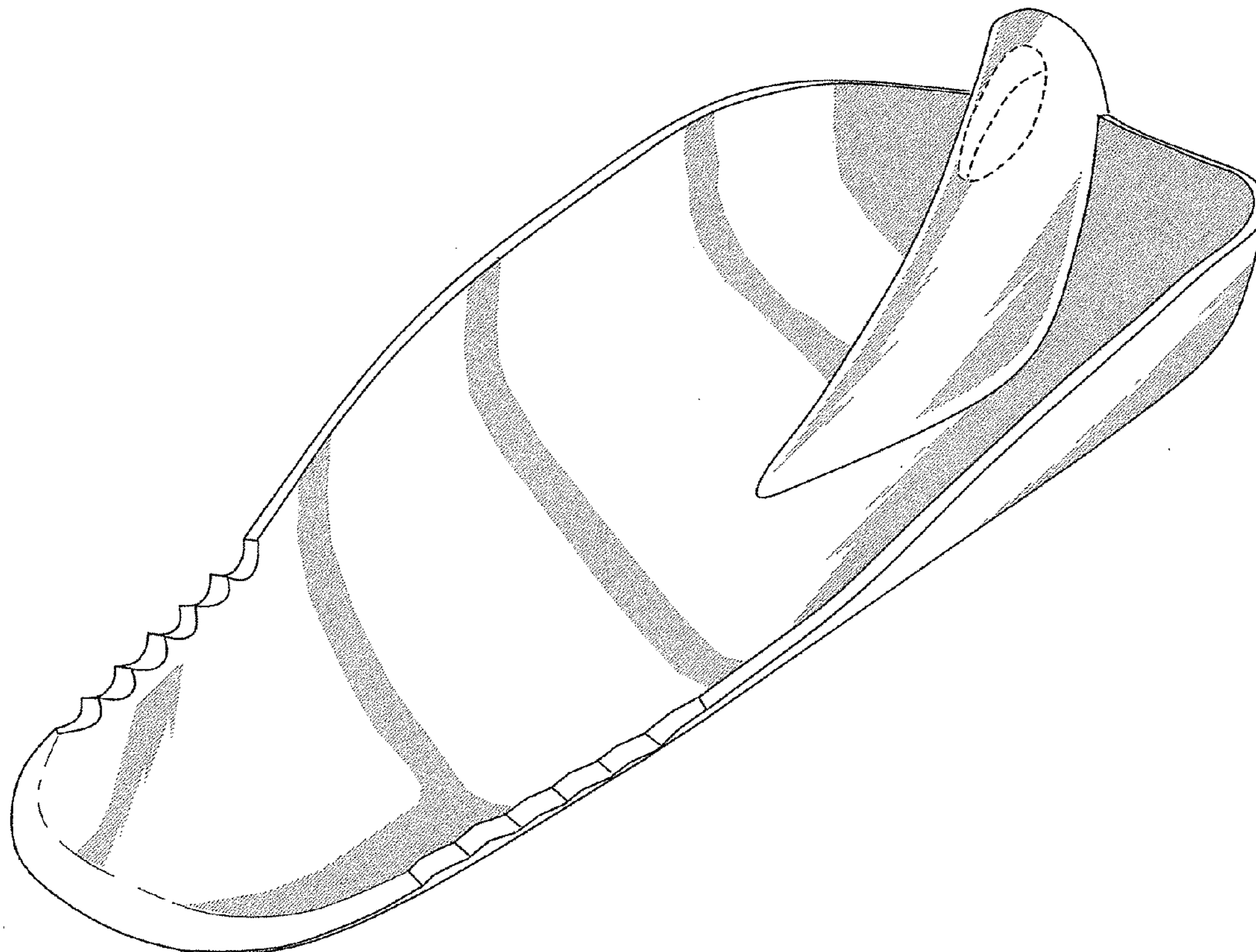
(57) **CLAIM**

The ornamental design for garden scoop, as shown and described.

DESCRIPTION

FIG. 1 is an oblique view of the present invention; FIG. 2 is a side view of the present invention; FIG. 3 is a top view of the present invention; FIG. 4 is a bottom view of the present invention; FIG. 5 is a front view of the present invention; and, FIG. 6 is a back view of the present invention. The broken line showing of the shovel is included for the purpose of illustrating portions of the claim and forms no part of the claimed design.

1 Claim, 3 Drawing Sheets



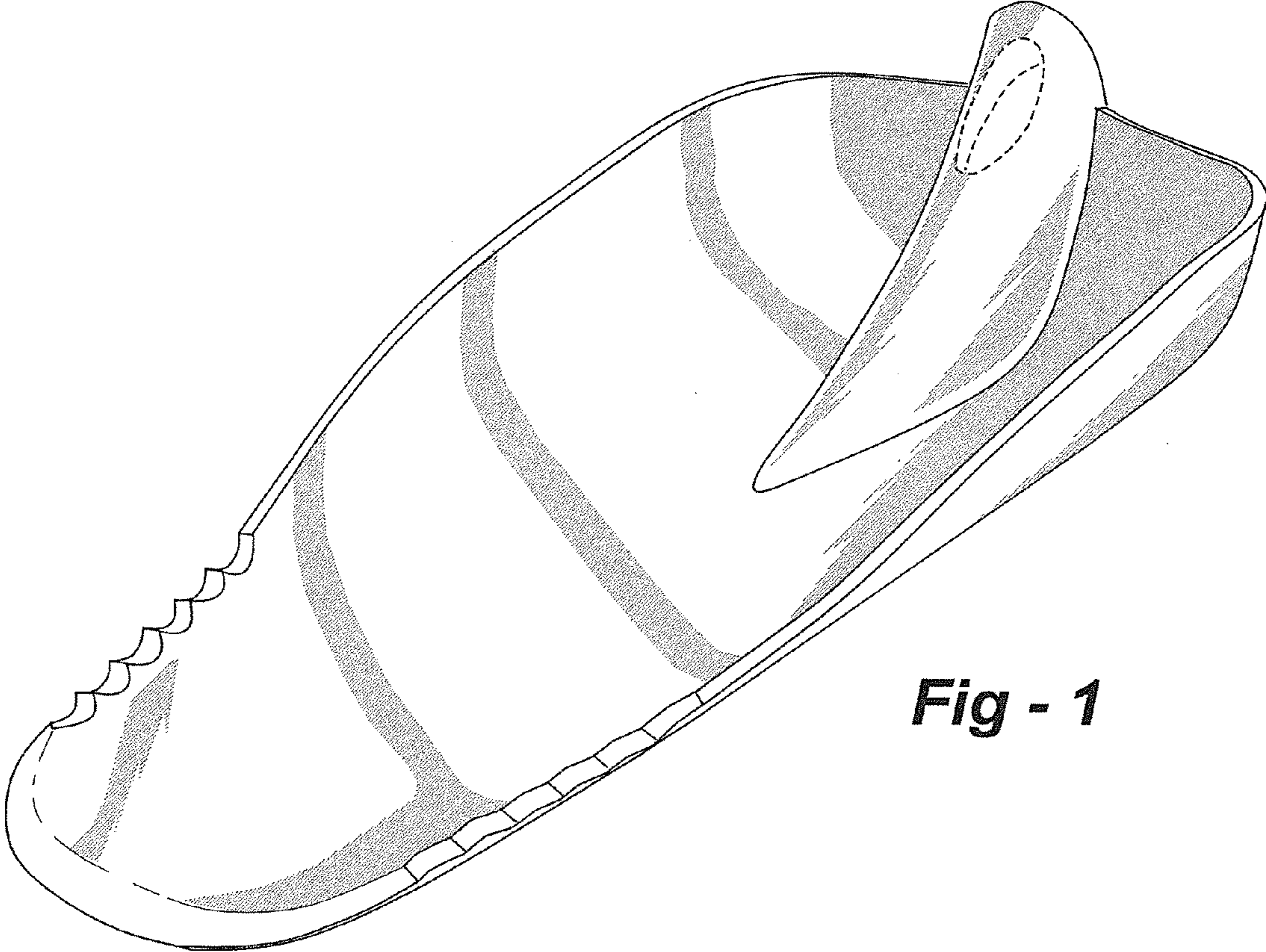


Fig - 1

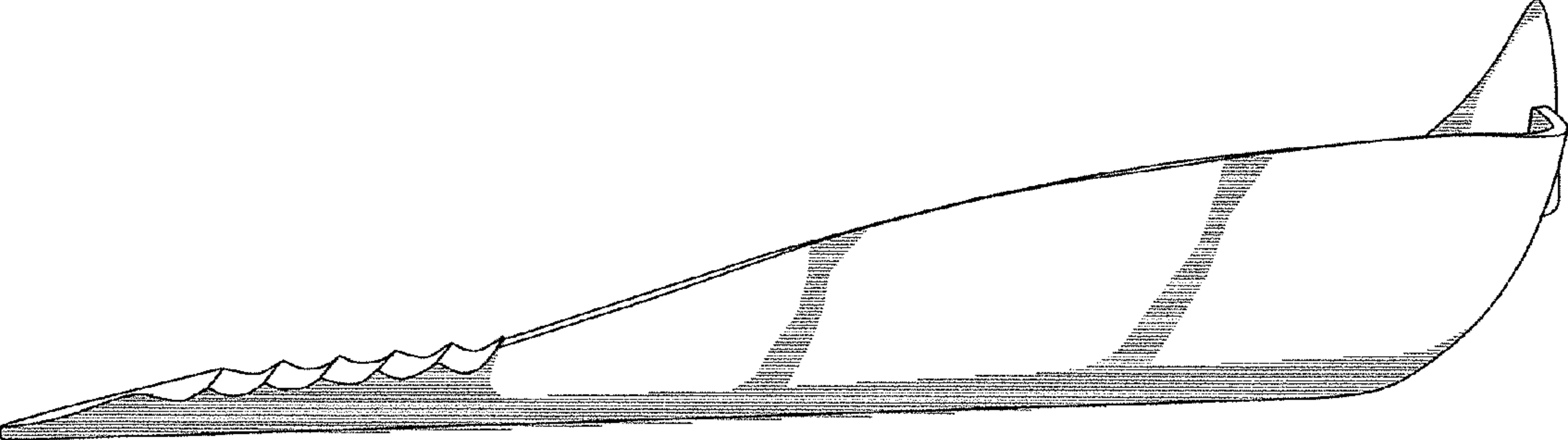


Fig - 2

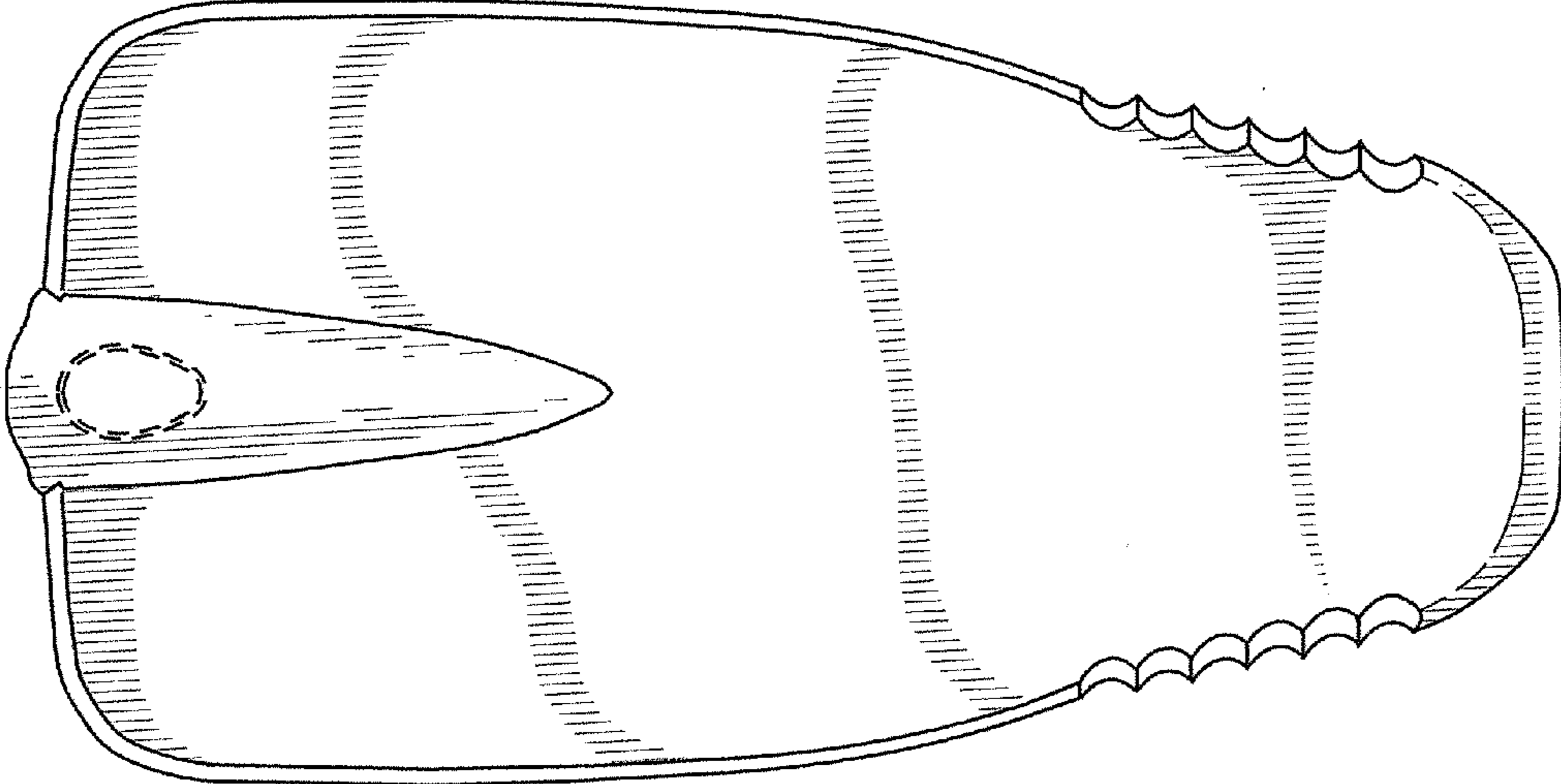


Fig - 3

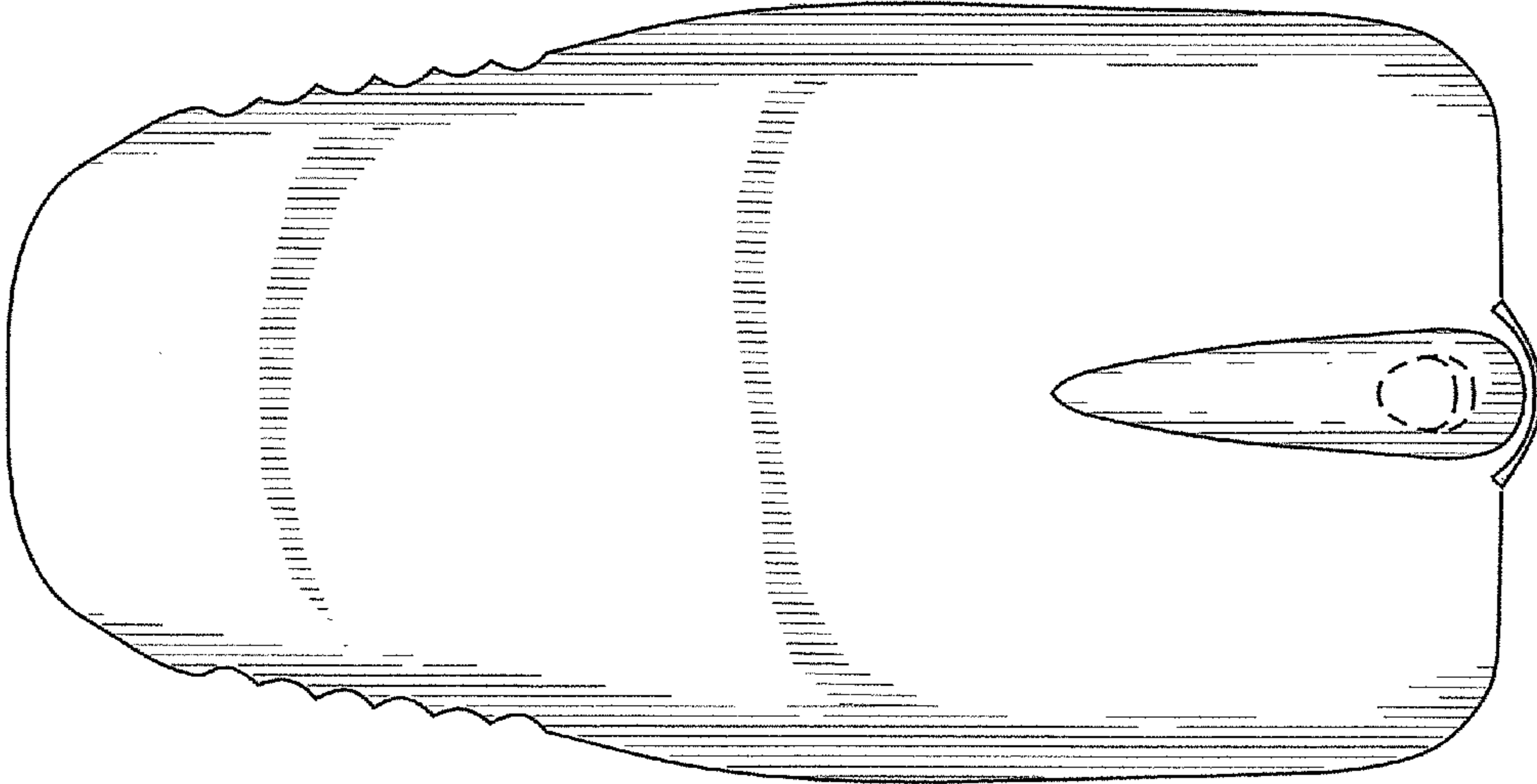


Fig - 4

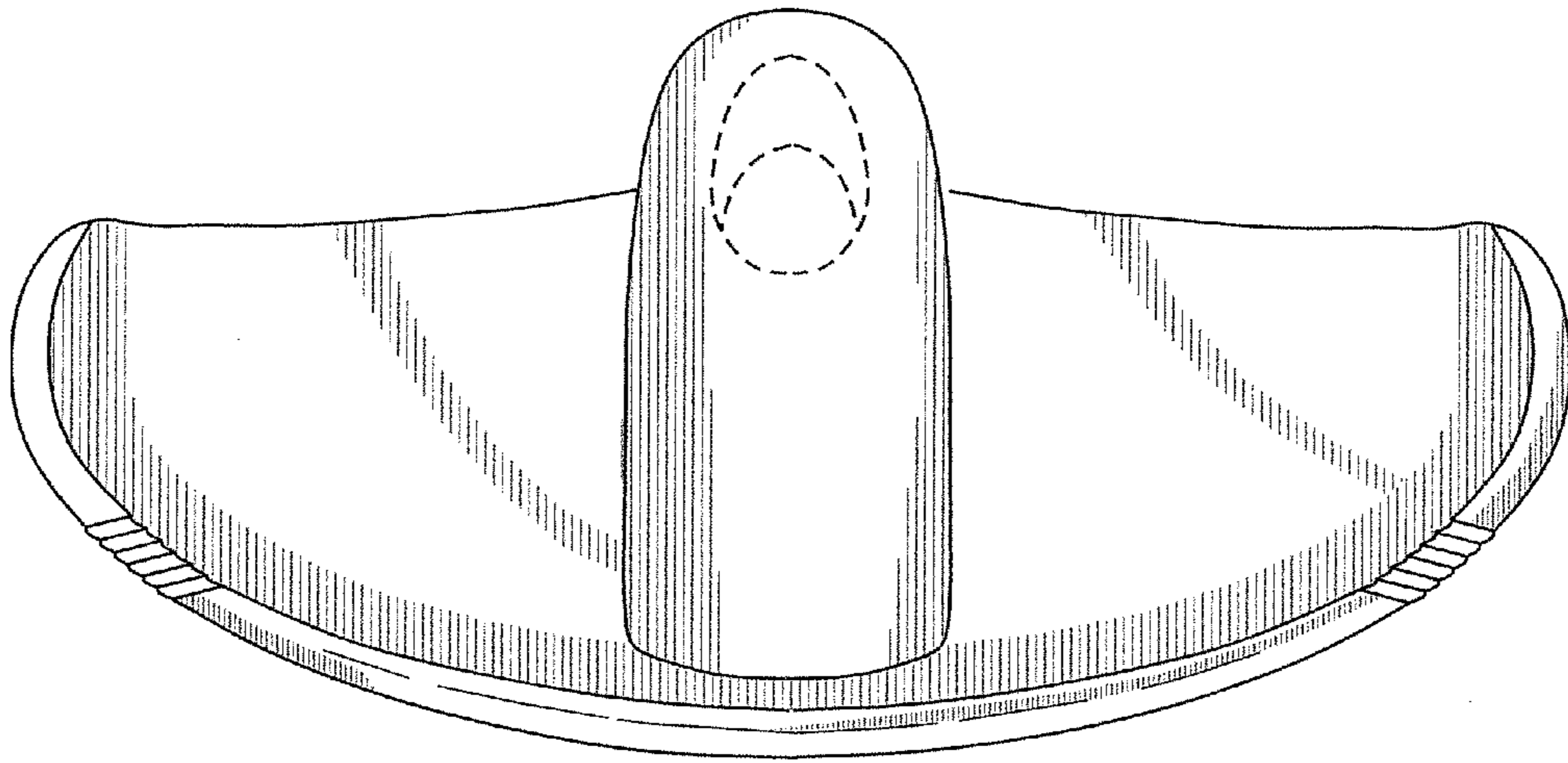


Fig - 5

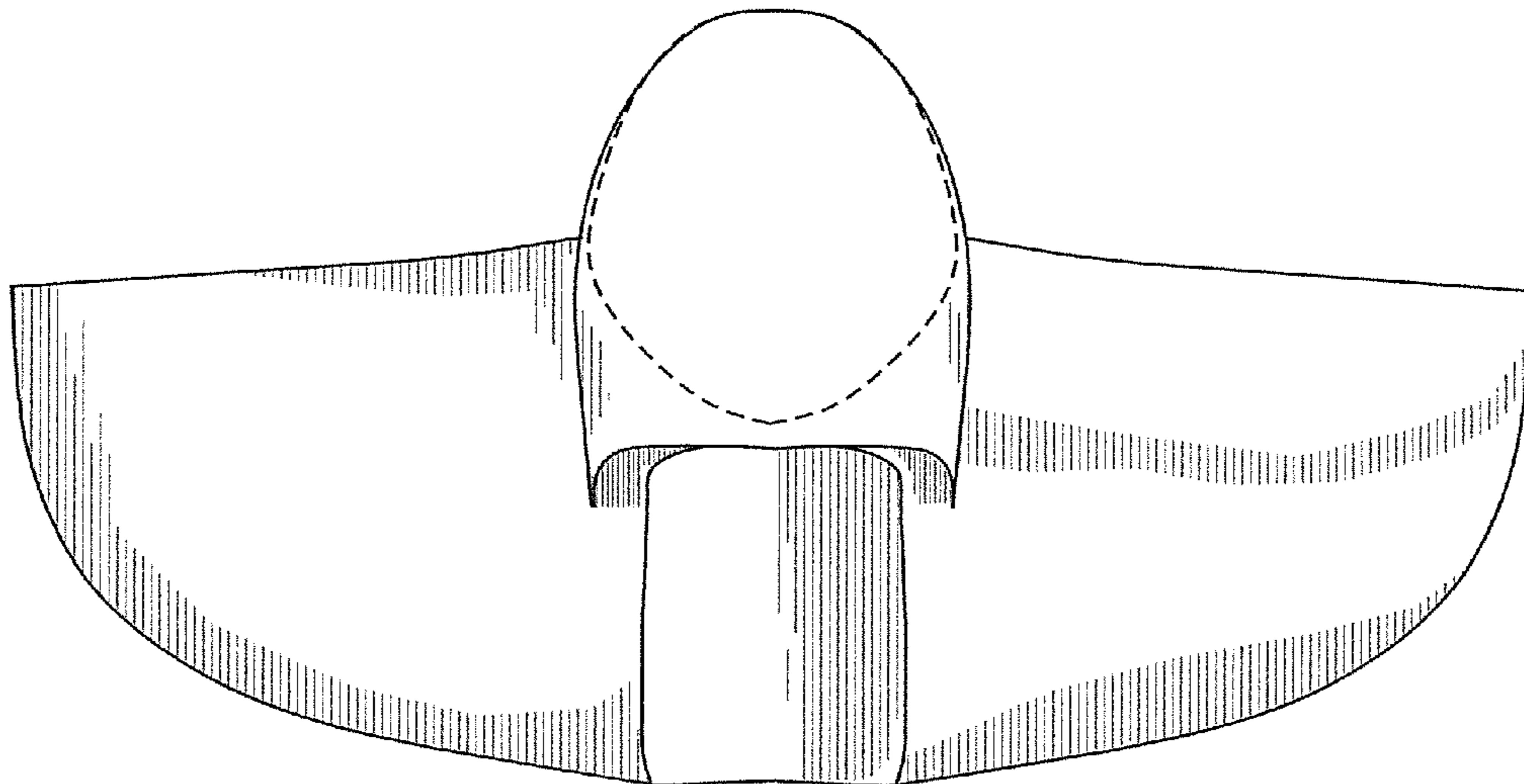


Fig - 6