



US00D684436S

(12) **United States Design Patent**  
**Sudmalis et al.**

(10) **Patent No.:** **US D684,436 S**  
(45) **Date of Patent:** **\*\* Jun. 18, 2013**

(54) **FOOD HOLDER**

(75) Inventors: **Roland Sudmalis**, Chicago, IL (US);  
**Jamie Di Fonzo**, Chicago, IL (US)

(73) Assignee: **Columbia Insurance Company**,  
Omaha, NE (US)

(\*\*) Term: **14 Years**

(21) Appl. No.: **29/406,743**

(22) Filed: **Nov. 18, 2011**

**Related U.S. Application Data**

(63) Continuation-in-part of application No. 29/392,610,  
filed on May 24, 2011.

(51) **LOC (9) Cl.** ..... **07-04**

(52) **U.S. Cl.**  
USPC ..... **D7/673; D7/678**

(58) **Field of Classification Search**  
USPC ..... D7/672-678, 354, 372, 368, 381,  
D7/382, 384, 412, 601, 602, 629, 630, 669;  
220/23.2-23.6, 573.1-573.3, 657, 912,  
574-575, 780-786, 256.1, 326, 675; 241/93,  
241/94, 95, 36, 273.1-273.4, 100, 285.1,  
241/283, 285.2, 168, 169; 83/651.1, 648,  
83/356.2, 431, 425.3, 435.15, 437.7; 99/537,  
99/588; 30/279.6, 280

See application file for complete search history.

(56) **References Cited**

**U.S. PATENT DOCUMENTS**

4,038,892 A 8/1977 Popeil  
D249,044 S 8/1978 Popeil  
4,212,431 A 7/1980 Doyel  
D354,886 S 1/1995 Diefenbach  
D379,907 S \* 6/1997 Israeli ..... D7/673  
D399,711 S 10/1998 Cohen et al.  
D442,033 S 5/2001 de Saint-Genois

6,598,518 B2 7/2003 Wong  
6,732,622 B2 5/2004 Vincent  
7,066,071 B2 6/2006 Zeder et al.  
7,107,890 B2 \* 9/2006 Vincent ..... 83/247

(Continued)

**FOREIGN PATENT DOCUMENTS**

WO WO 2005097436 10/2005  
WO WO 2006074704 7/2006

**OTHER PUBLICATIONS**

U.S. Appl. No. 29/392,610, filed May 24, 2011.  
U.S. Appl. No. 29/417,781, filed Apr. 9, 2012.

(Continued)

*Primary Examiner* — Ian Simmons

*Assistant Examiner* — Shannon Weekley

(74) *Attorney, Agent, or Firm* — Neal, Gerber & Eisenberg,  
LLP

(57) **CLAIM**

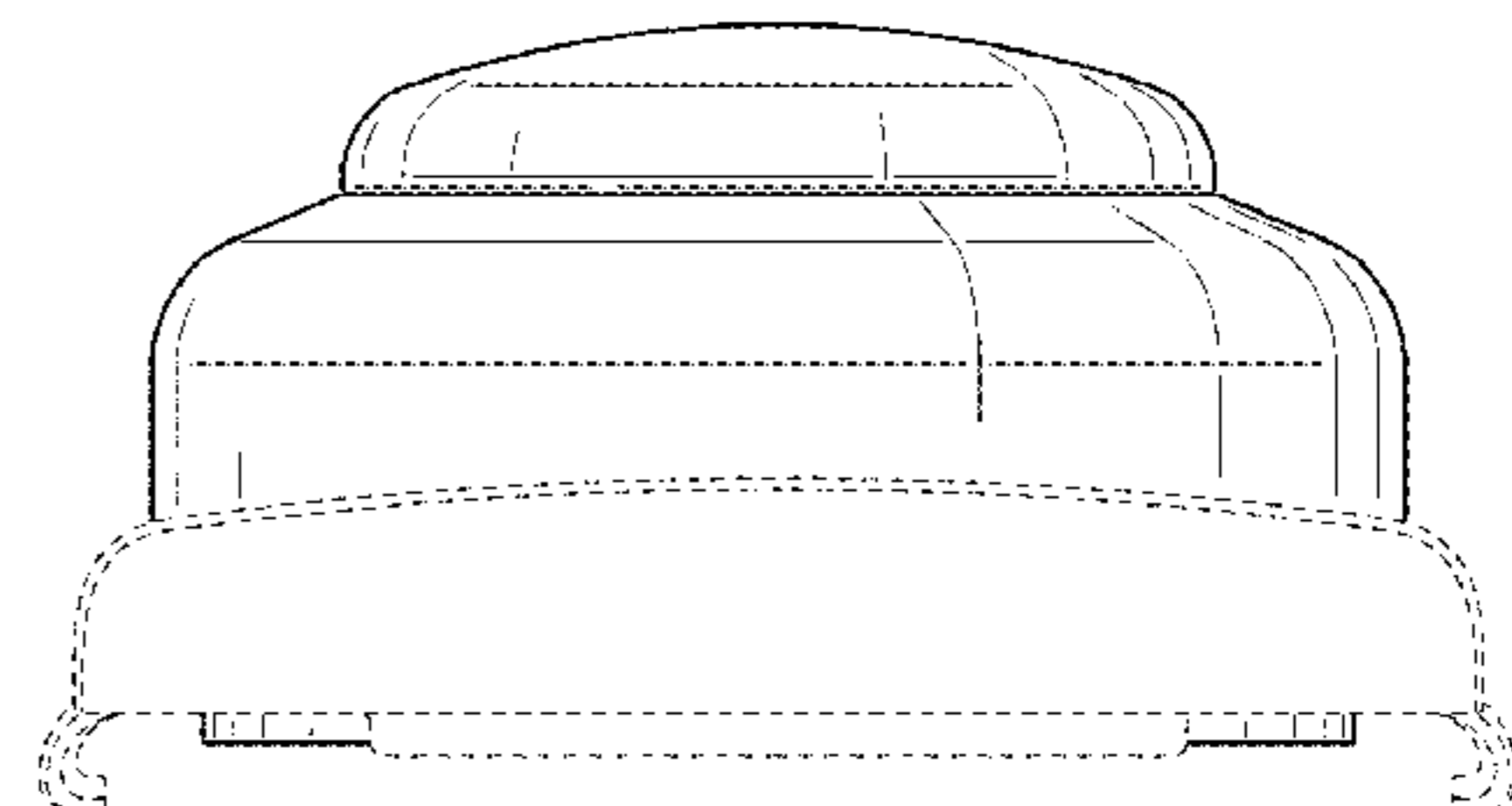
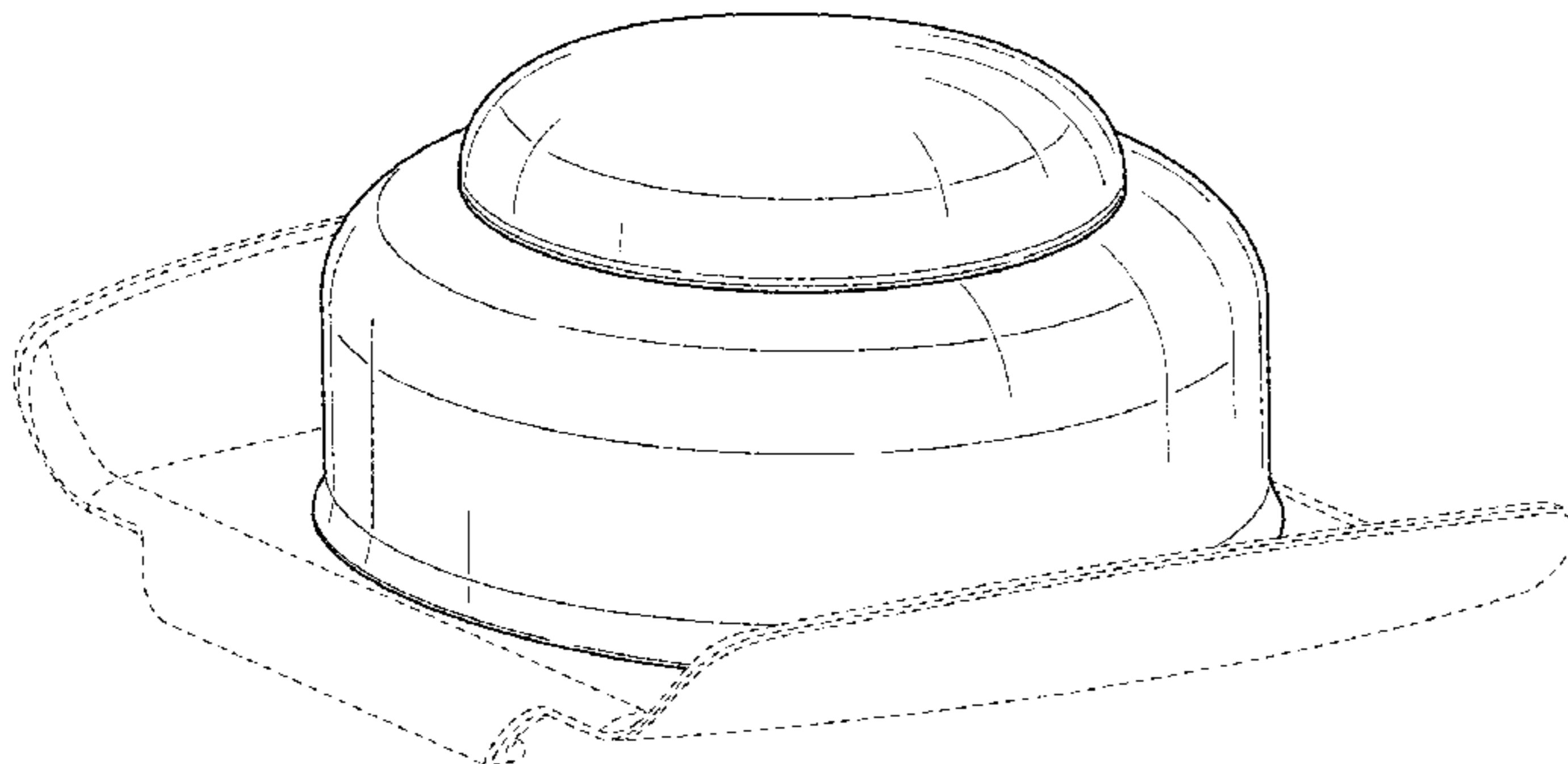
The ornamental design for a food holder, as shown and  
described.

**DESCRIPTION**

FIG. 1 is a top perspective view of the food holder showing  
our new design;  
FIG. 2 is a top plan view thereof;  
FIG. 3 is a bottom plan view thereof;  
FIG. 4 is a right side elevational view thereof;  
FIG. 5 is a front side elevational view thereof;  
FIG. 6 is another top perspective view of the food holder  
thereof; and,  
FIG. 7 is a front elevational view of the food holder shown in  
FIG. 6 thereof.

The broken lines in FIGS. 1-5 of the food holder is for the  
purpose of illustrating environment, and forms no part of the  
claimed design.

**1 Claim, 4 Drawing Sheets**



# US D684,436 S

Page 2

## U.S. PATENT DOCUMENTS

D534,041 S \* 12/2006 De Buyer ..... D7/673  
7,143,677 B2 12/2006 Zeder et al.  
D535,160 S 1/2007 Ishii  
D567,583 S 4/2008 Klotz et al.  
7,444,909 B2 \* 11/2008 Repac et al. .... 83/167  
D582,220 S \* 12/2008 Farnum et al. .... D7/672  
7,712,402 B2 5/2010 Ishii  
D618,066 S \* 6/2010 De Buyer et al. .... D7/673  
7,837,137 B2 11/2010 Klotz et al.  
D651,483 S 1/2012 Bagley  
8,096,218 B2 1/2012 Klotz et al.  
8,181,560 B2 \* 5/2012 Hauser et al. .... 83/858  
D670,539 S \* 11/2012 Starr et al. .... D7/400  
2004/0200366 A1 10/2004 Koerselman et al.  
2005/0178262 A1 \* 8/2005 Repac et al. .... 83/684  
2006/0075872 A1 4/2006 Wangler

2006/0157599 A1 \* 7/2006 Klotz et al. .... 241/95  
2006/0261196 A1 11/2006 Klotz et al.  
2007/0062349 A1 3/2007 Ishii  
2007/0125207 A1 6/2007 Lucas et al.  
2008/0066603 A1 \* 3/2008 Koerselman et al. .... 83/856  
2008/0257128 A1 10/2008 Reimann et al.  
2009/0255391 A1 10/2009 Hood et al.  
2011/0094111 A1 4/2011 Hauser et al.  
2012/0180612 A1 \* 7/2012 Holcomb et al. .... 83/613

## OTHER PUBLICATIONS

U.S. Appl. No. 29/417,806, filed Apr. 9, 2012.

The Pampered Chef Fall/Winter 2010 Product Catalog (published at least as early as Sep. 2010), the Ultimate Mandoline, p. 30 (selected pages).

\* cited by examiner

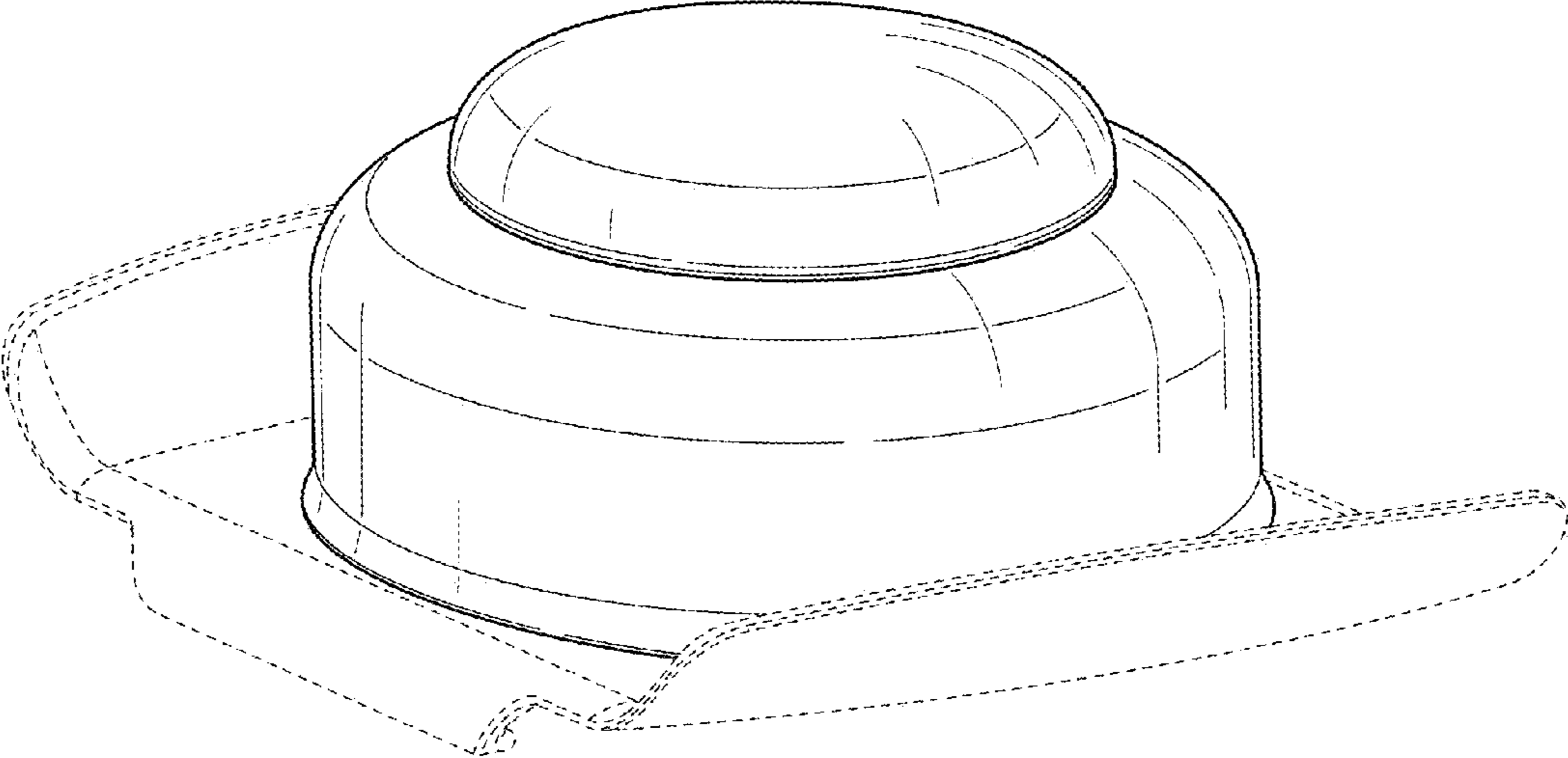


FIG. 1

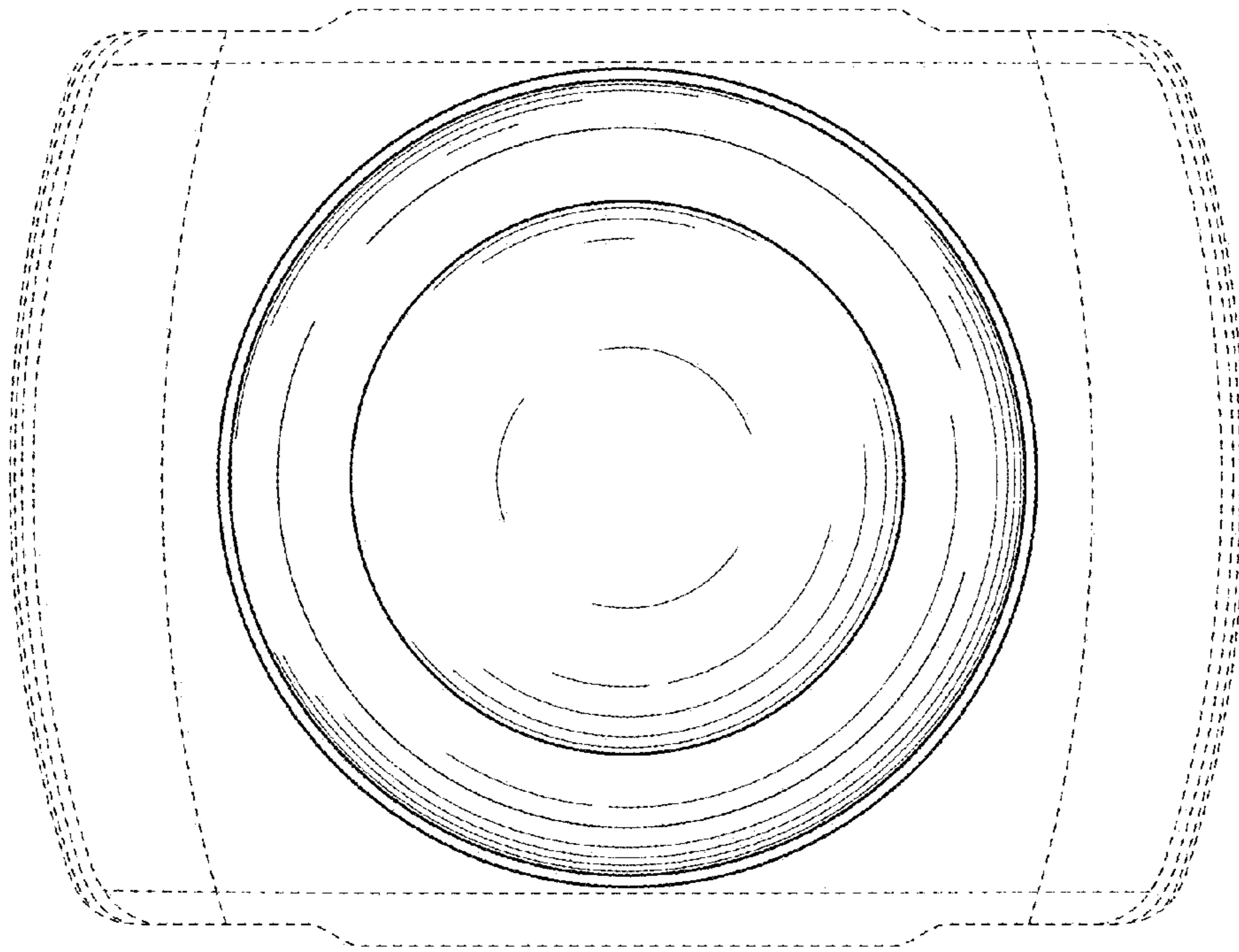


FIG. 2

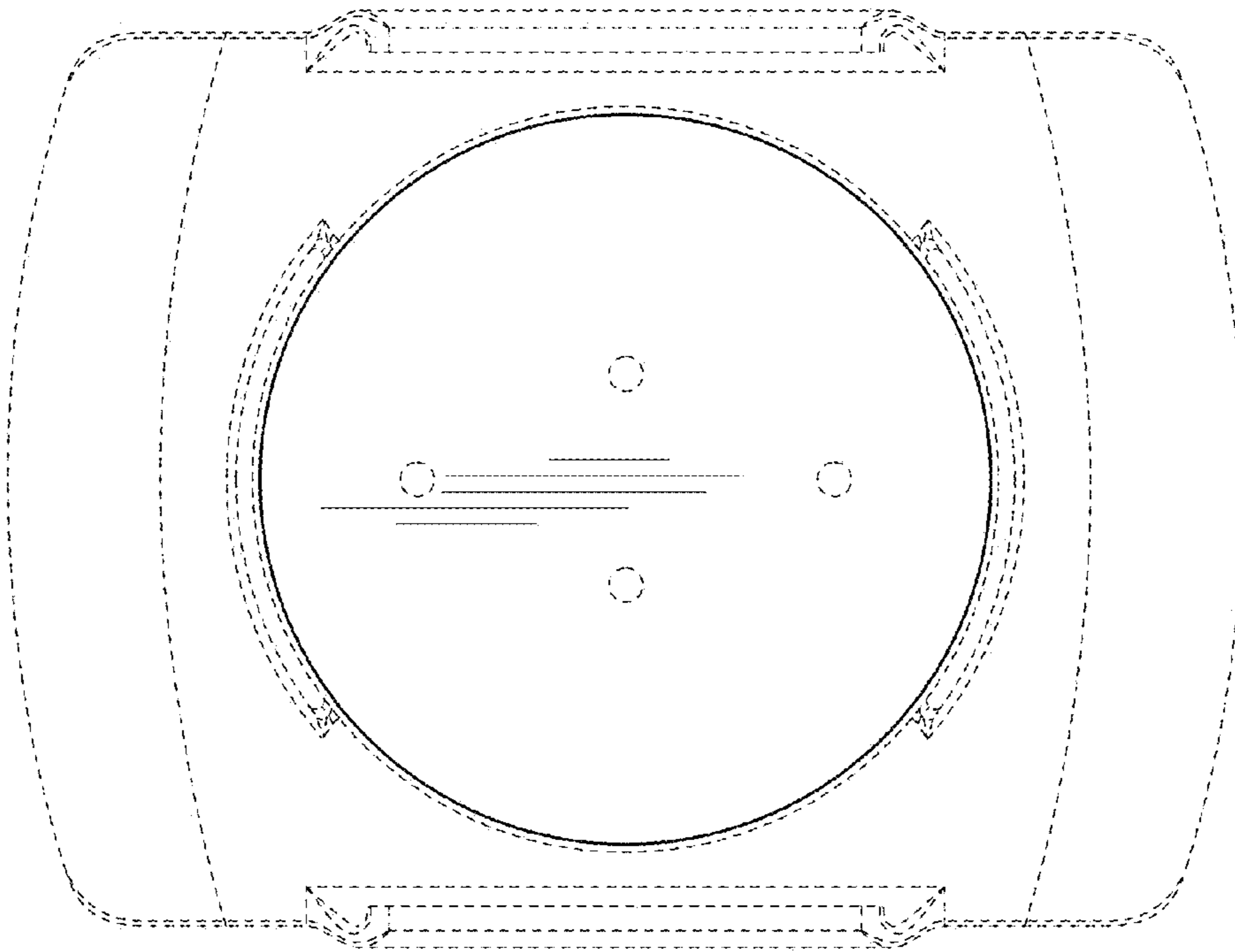


FIG. 3

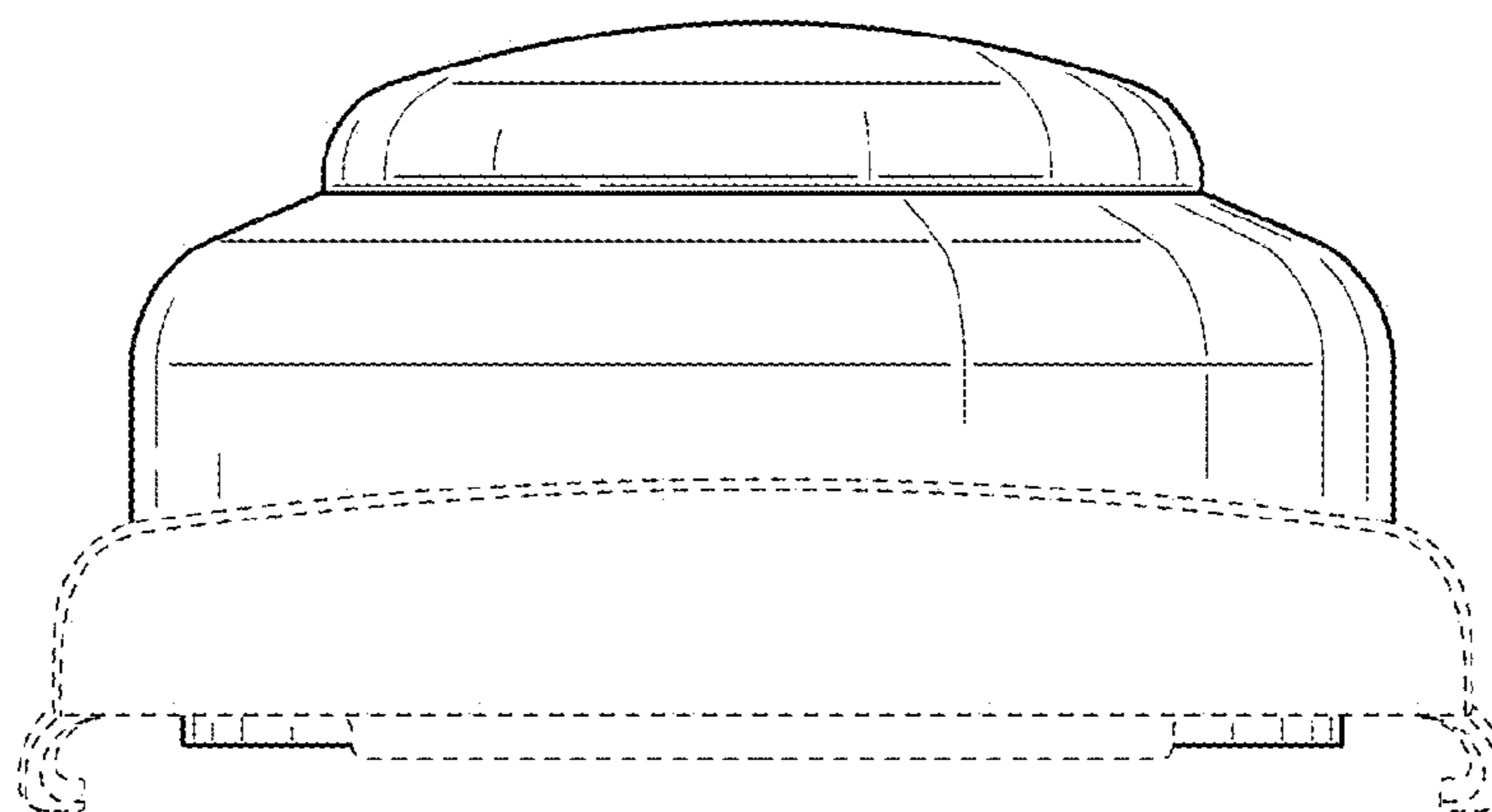


FIG. 4

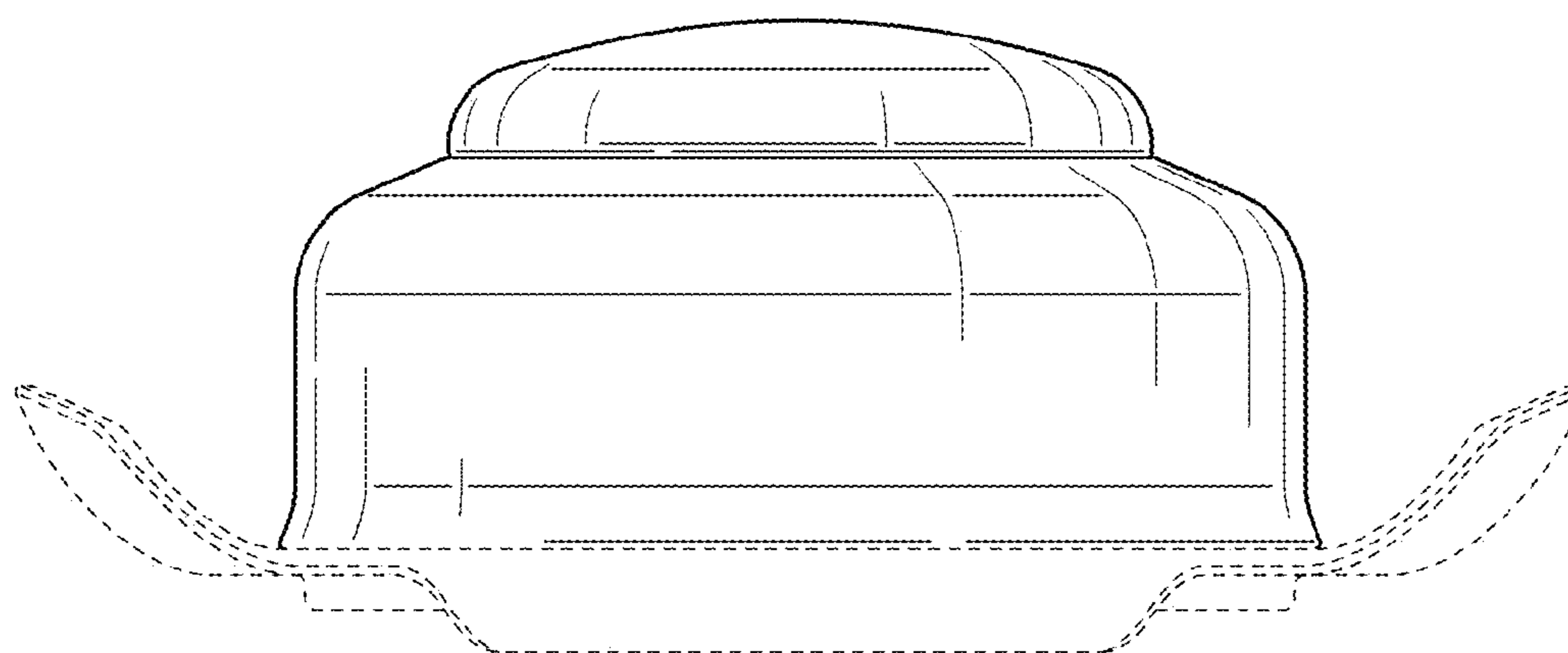


FIG. 5

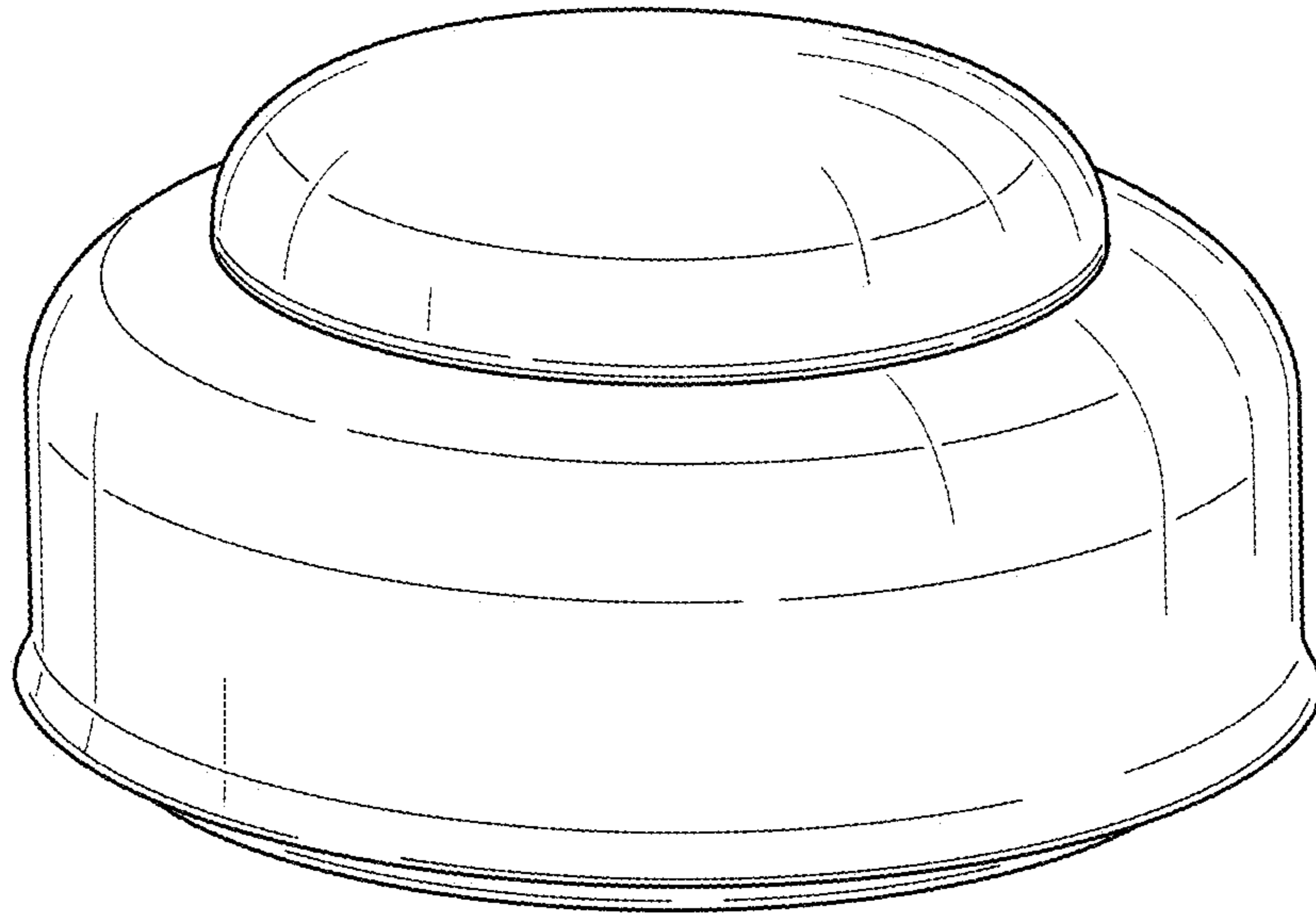


FIG. 6

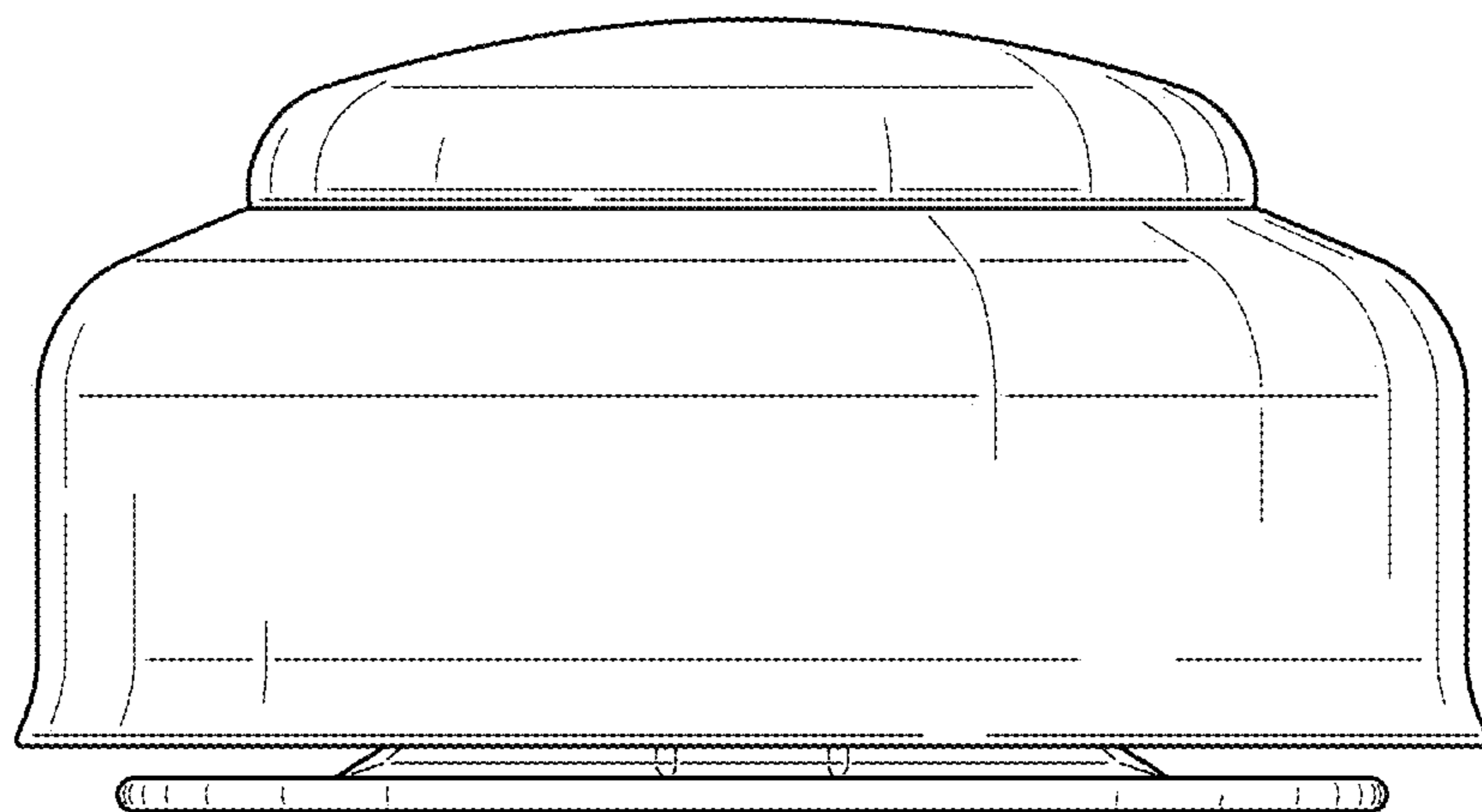


FIG. 7