



US00D684435S

(12) **United States Design Patent**
Mathieu

(10) **Patent No.:** **US D684,435 S**
(45) **Date of Patent:** **** Jun. 18, 2013**

(54) **CULINARY PASTE GUN**

(75) Inventor: **Jean-Noël Mathieu**, Vagney (FR)

(73) Assignee: **De Buyer Industries**, Le Val d'Ajol (FR)

(**) Term: **14 Years**

(21) Appl. No.: **29/414,524**

(22) Filed: **Feb. 29, 2012**

(30) **Foreign Application Priority Data**

Oct. 4, 2011 (WO) DM/076 900

(51) **LOC (9) Cl.** **07-04**

(52) **U.S. Cl.**
USPC **D7/672**

(58) **Field of Classification Search**

USPC D7/665, 666, 667, 668, 669, 670, D7/672, 678, 692, 300, 300.1, 301, 302, 310, D7/317, 318, 320-322, 368, 369, 380, 393, D7/394, 395, 401.2, 589-593, 598, 600, 622; 222/43, 287, 309, 323, 326, 386, 387, 389, 222/391, 499; 241/169, 169.1, 273.1-273.4; 425/87, 191, 376.1, 190; 209/251, 282, 323, 209/347, 352, 355, 357, 365.1, 374, 381; D8/14.1; D9/545, 547, 549, 550, 723, 728, D9/724

See application file for complete search history.

(56) **References Cited**

U.S. PATENT DOCUMENTS

940,572	A *	11/1909	Agner	222/391
2,166,437	A *	7/1939	Howie et al.	366/96
2,927,543	A *	3/1960	Sherbondy	425/190
D309,697	S *	8/1990	So	D7/672
D363,405	S *	10/1995	Elliott, Sr.	D7/669
D393,574	S *	4/1998	Perkins et al.	D7/669
5,873,499	A *	2/1999	Leschinsky et al.	222/327
6,708,853	B1 *	3/2004	Melling	222/391
2012/0228334	A1 *	9/2012	Van Wijk et al.	222/287

* cited by examiner

Primary Examiner — Ian Simmons

Assistant Examiner — Shannon Weekley

(74) *Attorney, Agent, or Firm* — Galgano & Associates, PLLC; Thomas M. Galgano; Jessica G. Bower

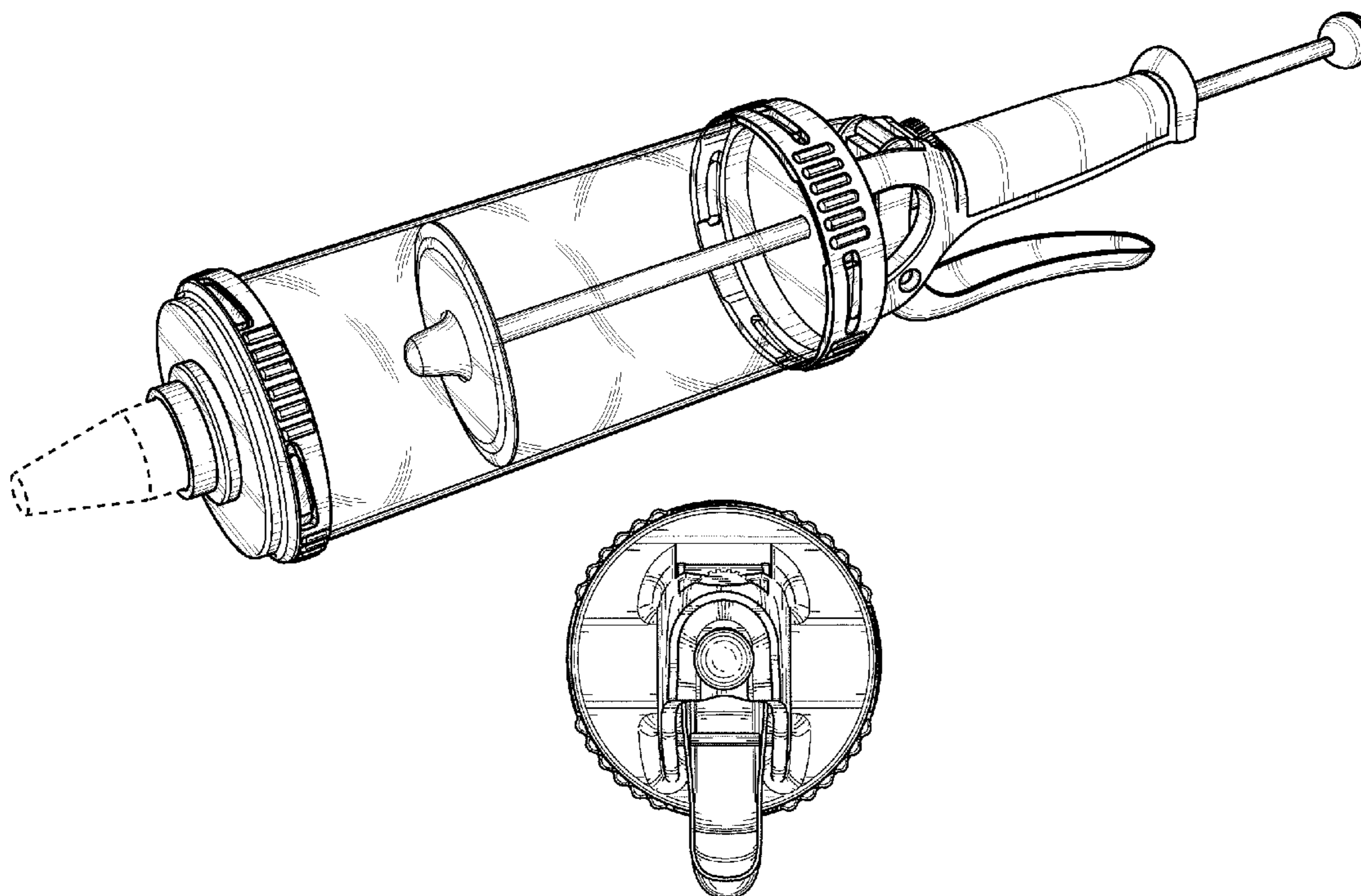
(57) **CLAIM**

The ornamental design for a culinary paste gun, as shown and described.

DESCRIPTION

FIG. 1 is a front, right side perspective view of a culinary paste gun, showing my new design;
FIG. 2 is a right side elevational view thereof, the left side elevational view being a mirror image thereof;
FIG. 3 is a front elevational view thereof;
FIG. 4 is a rear elevational thereof;
FIG. 5 is a top plan view thereof; and,
FIG. 6 is a bottom plan view thereof.
The broken lines in FIGS. 1-3, and 5 shows the tip of a culinary paste gun and is for the purpose of illustrating environment only, and forms no part of the claimed design.

1 Claim, 5 Drawing Sheets



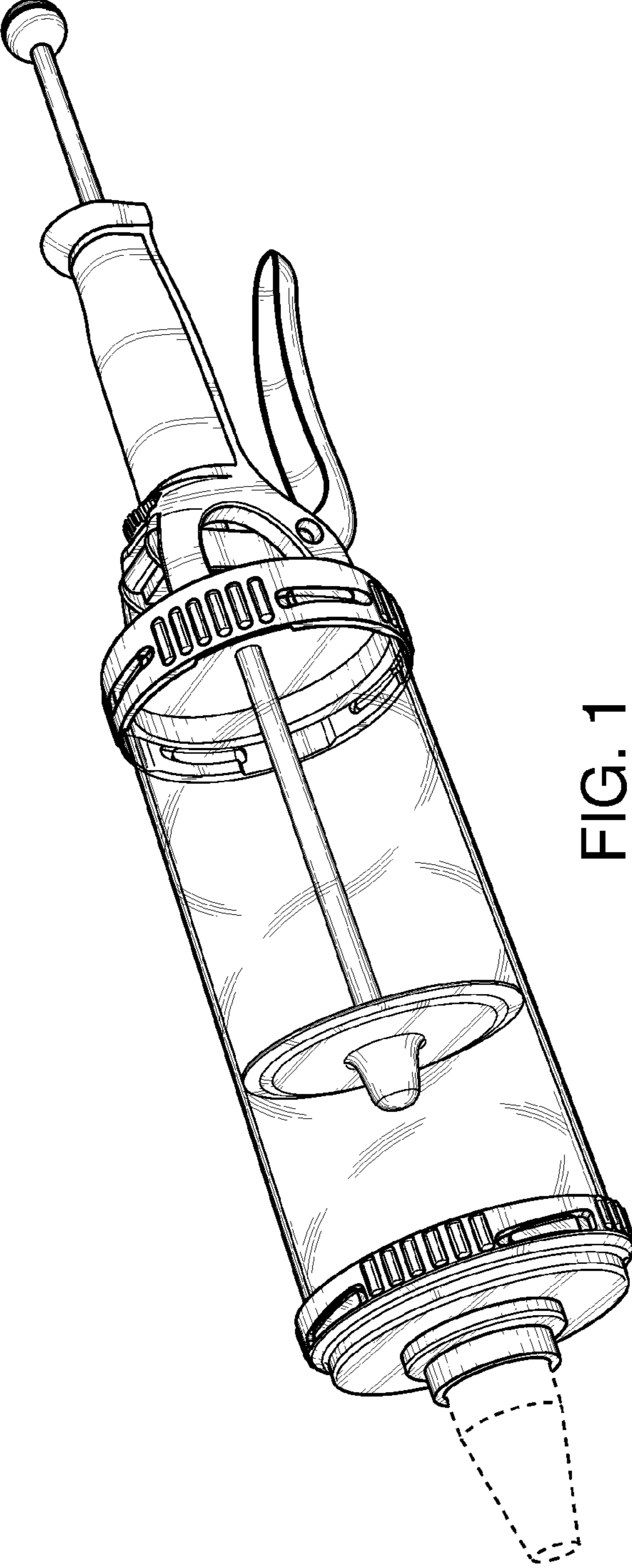


FIG. 1

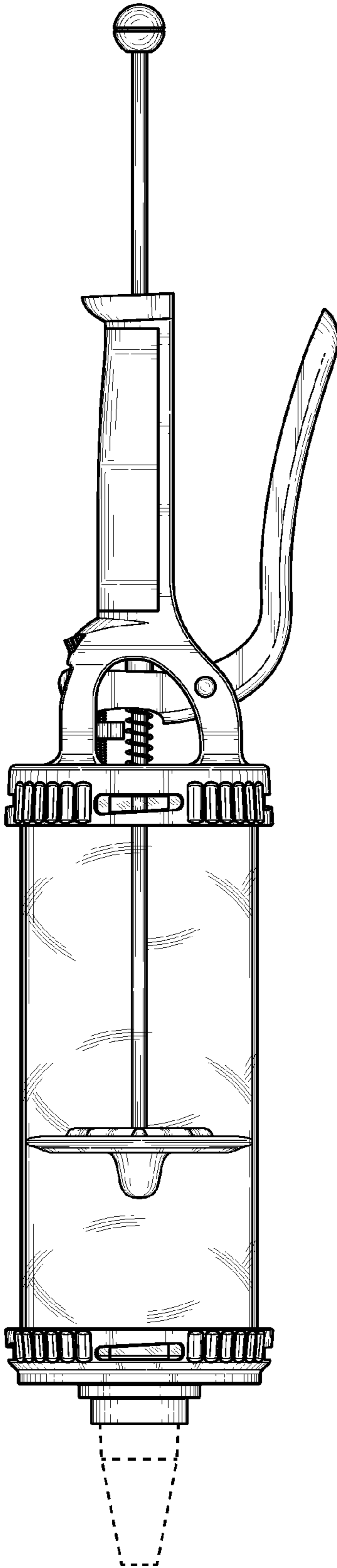


FIG. 2

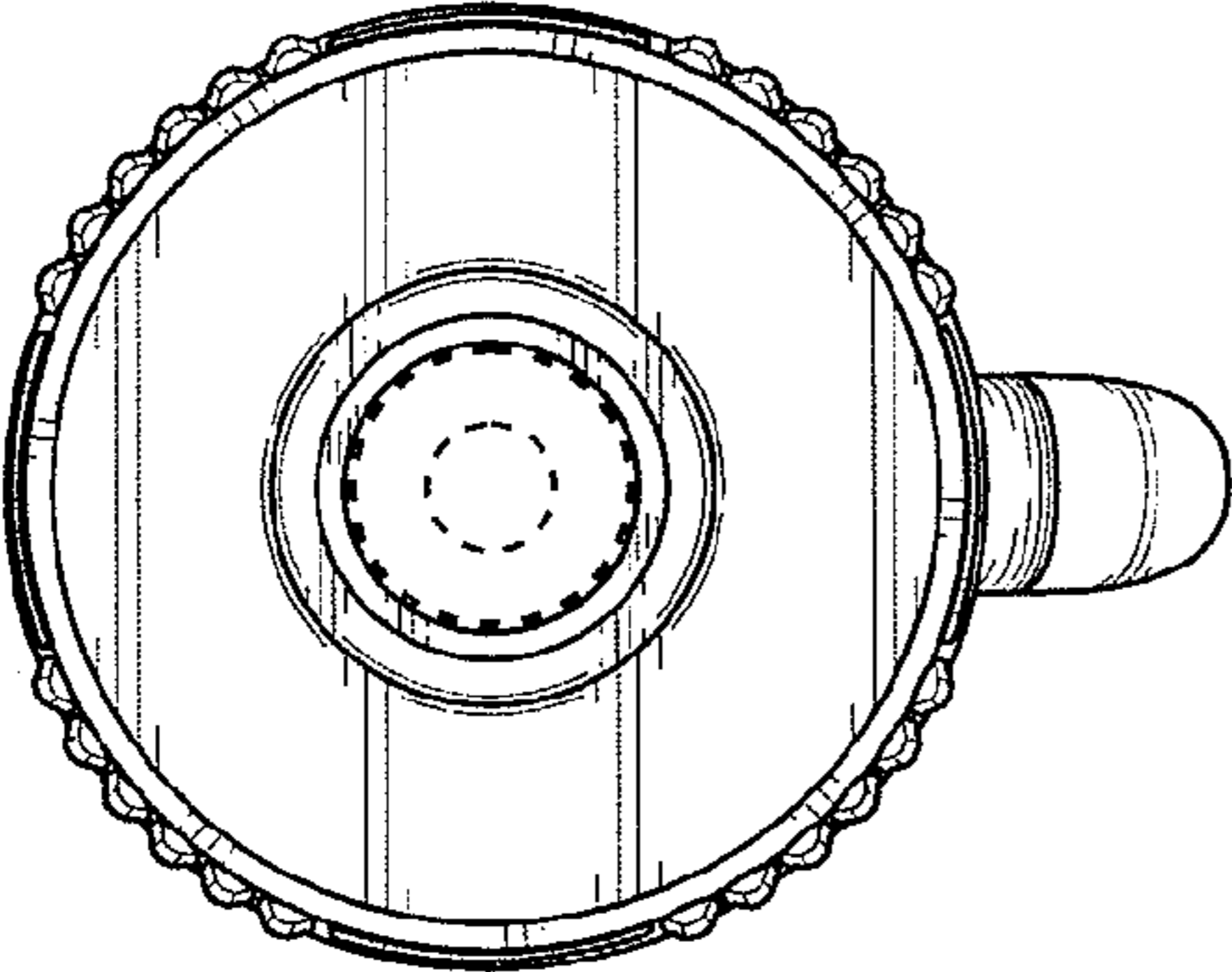


FIG. 3

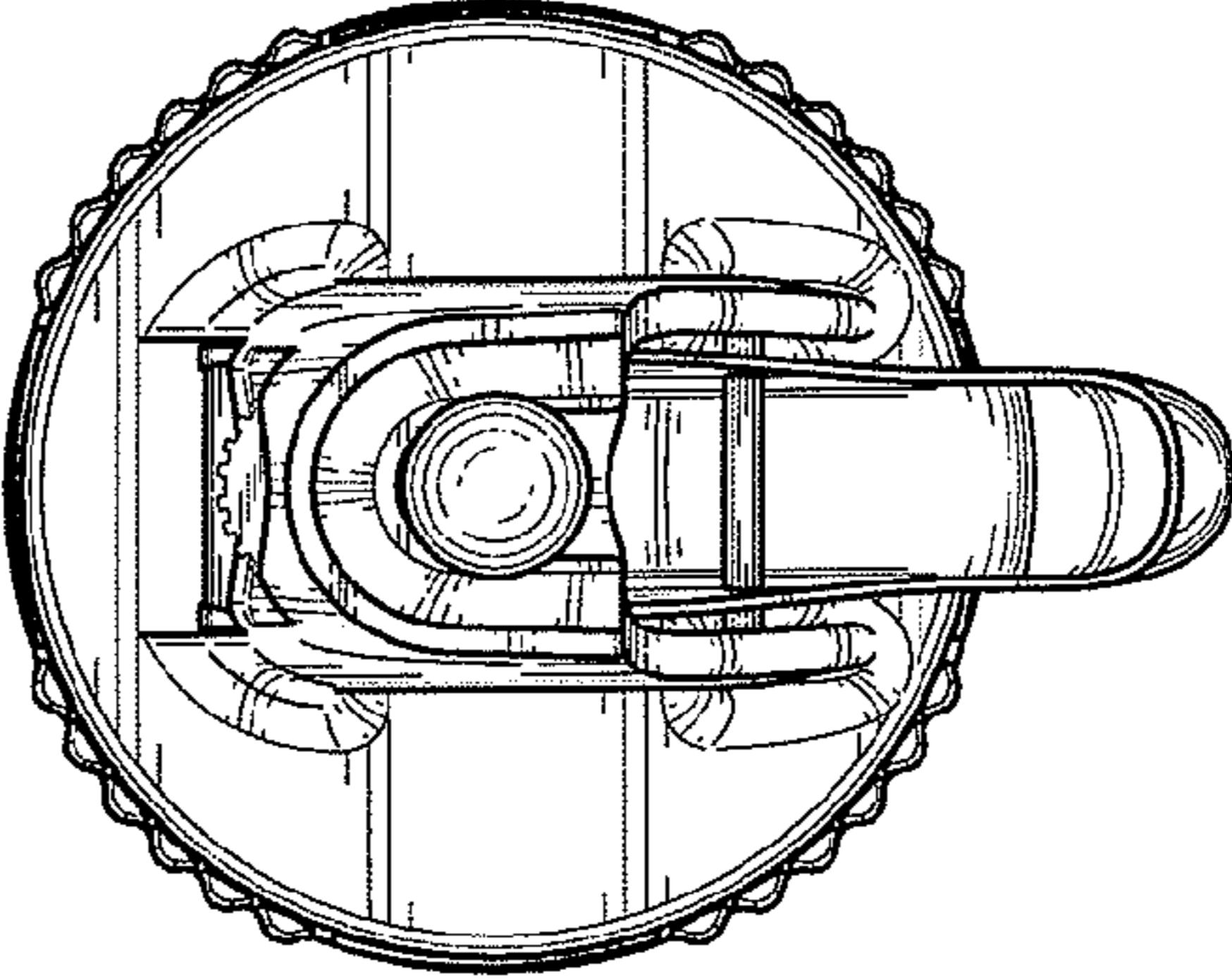


FIG. 4

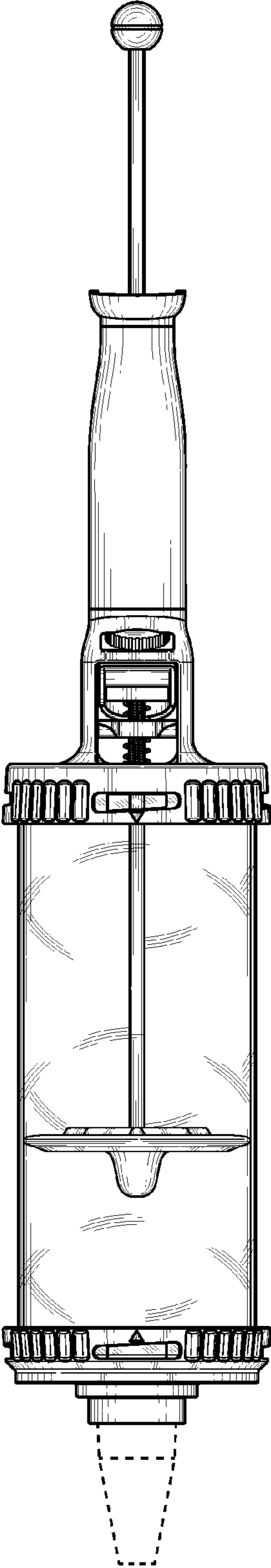


FIG. 5

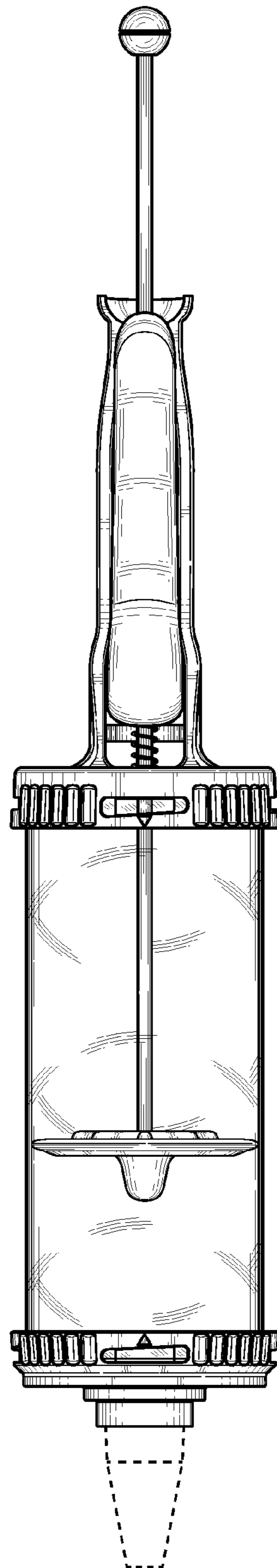


FIG. 6