



US00D684431S

(12) **United States Design Patent**
 Holding et al.

(10) **Patent No.:** **US D684,431 S**
(45) **Date of Patent:** **** Jun. 18, 2013**

(54) **DOUBLE DISH**

(75) Inventors: **Bill Holding**, London (GB); **Ben Cox**,
London (GB)

(73) Assignee: **Joseph Joseph, Ltd.**, London (GB)

(**) Term: **14 Years**

(21) Appl. No.: **29/431,904**

(22) Filed: **Sep. 12, 2012**

(30) **Foreign Application Priority Data**

Jun. 8, 2012 (EM) 002054924-0003

(51) **LOC (9) Cl.** **07-01**

(52) **U.S. Cl.**
USPC **D7/555**

(58) **Field of Classification Search**
USPC D7/501, 505, 538, 543, 545, 500,
D7/590, 360, 600.2, 553.6, 392.1, 601, 354,
D7/555, 557, 566, 620, 629, 552.1, 589, 5,
D7/43, 586, 570; D9/743, 745; 220/751,
220/23.4, 574; 206/514; 73/426
See application file for complete search history.

(56) **References Cited**

U.S. PATENT DOCUMENTS

D233,501 S * 11/1974 Zeisehegg D7/565
5,441,164 A * 8/1995 Beck et al. 220/575
D400,402 S * 11/1998 Petkovich, Jr. D7/549
D422,843 S * 4/2000 Rashid D7/555
D444,676 S * 7/2001 Murphy D7/553.6
D483,999 S * 12/2003 Beachum et al. D7/553.6

D509,410 S * 9/2005 Koeppel D7/552.2
D547,127 S * 7/2007 Haughton D7/555
D551,024 S * 9/2007 Rouso et al. D7/555
D568,110 S * 5/2008 Epstein D7/553.6
D568,686 S * 5/2008 Luft D7/549
D577,961 S * 10/2008 O'Brien D7/557
D609,058 S * 2/2010 Roth et al. D7/602
D625,880 S * 10/2010 Leung et al. D26/118

* cited by examiner

Primary Examiner — Cynthia Underwood

(74) *Attorney, Agent, or Firm* — Millen, White, Zelano &
Branigan, P.C.

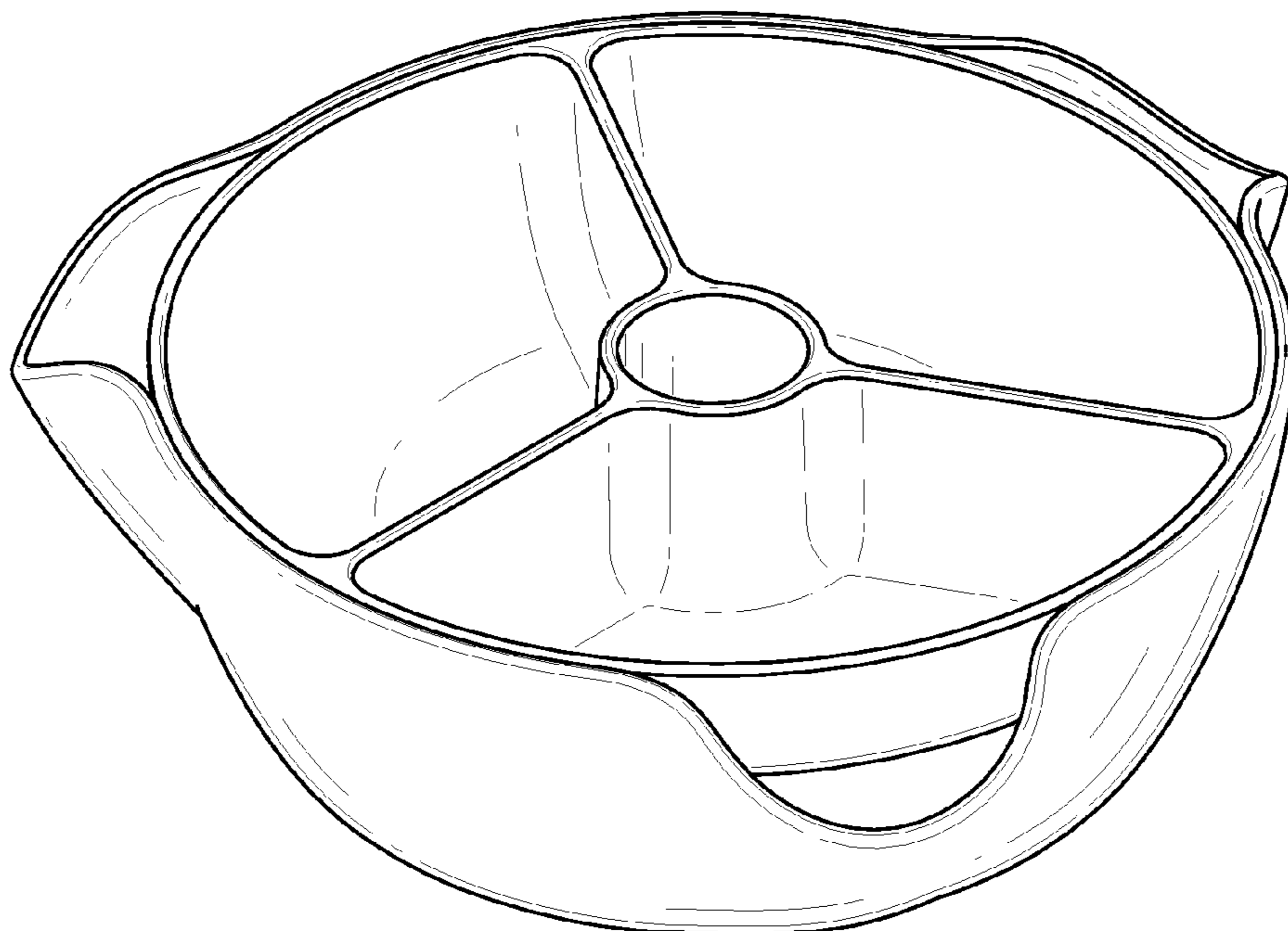
(57) **CLAIM**

The ornamental design for a double dish, as shown and
described.

DESCRIPTION

FIG. 1 is a top view of the double dish showing my new
design.
FIG. 2 is a side view of the double dish showing my new
design.
FIG. 3 is another side view of the double dish showing my
new design.
FIG. 4 is another side view of the double dish showing my
new design.
FIG. 5 is another side view of the double dish showing my
new design.
FIG. 6 is a bottom view of the double dish showing my new
design; and,
FIG. 7 is a perspective view of the double dish showing my
new design.
The broken lines are included for illustrative purposes only
and form no part of the claim.

1 Claim, 5 Drawing Sheets



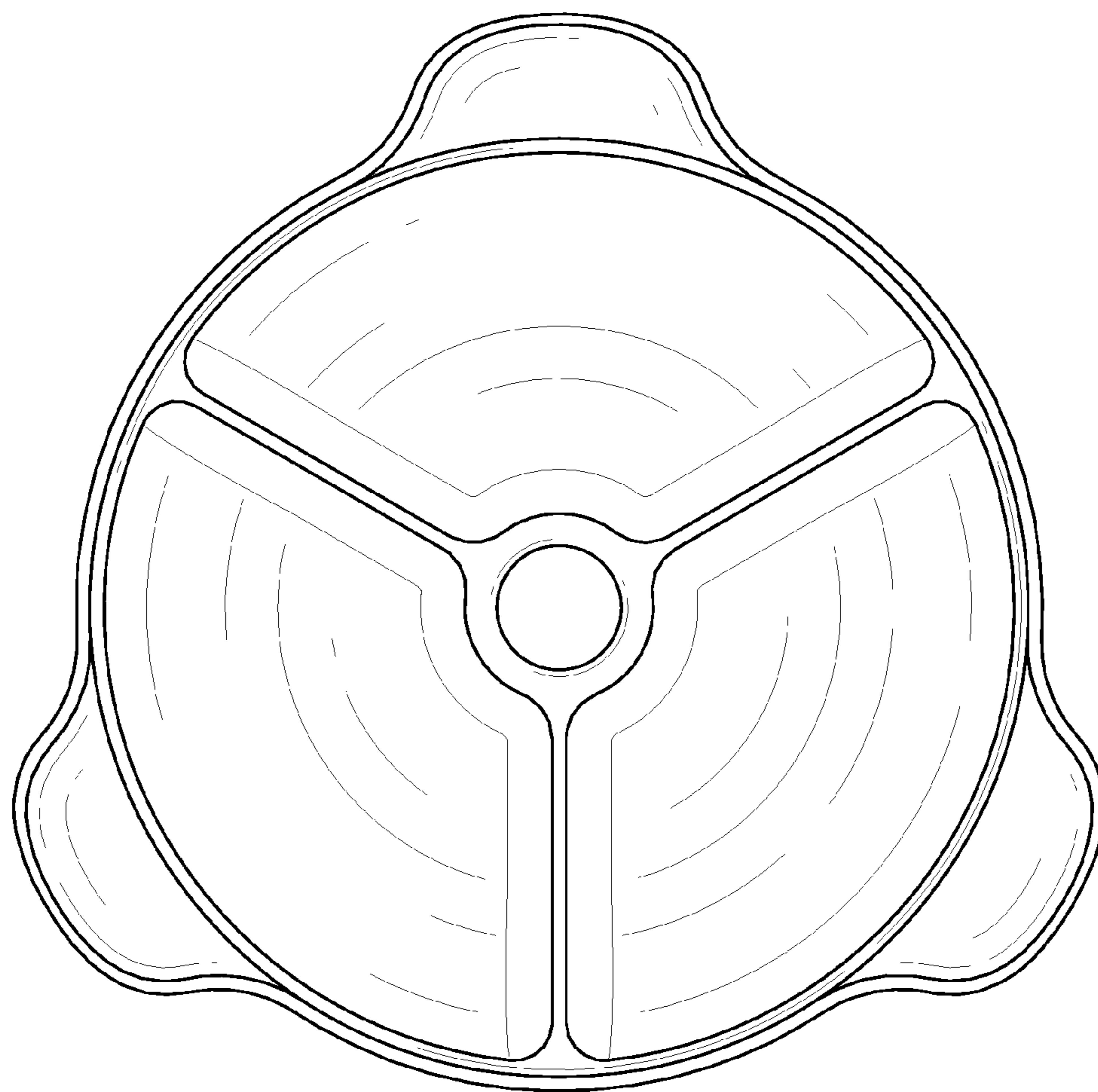


FIG. 1

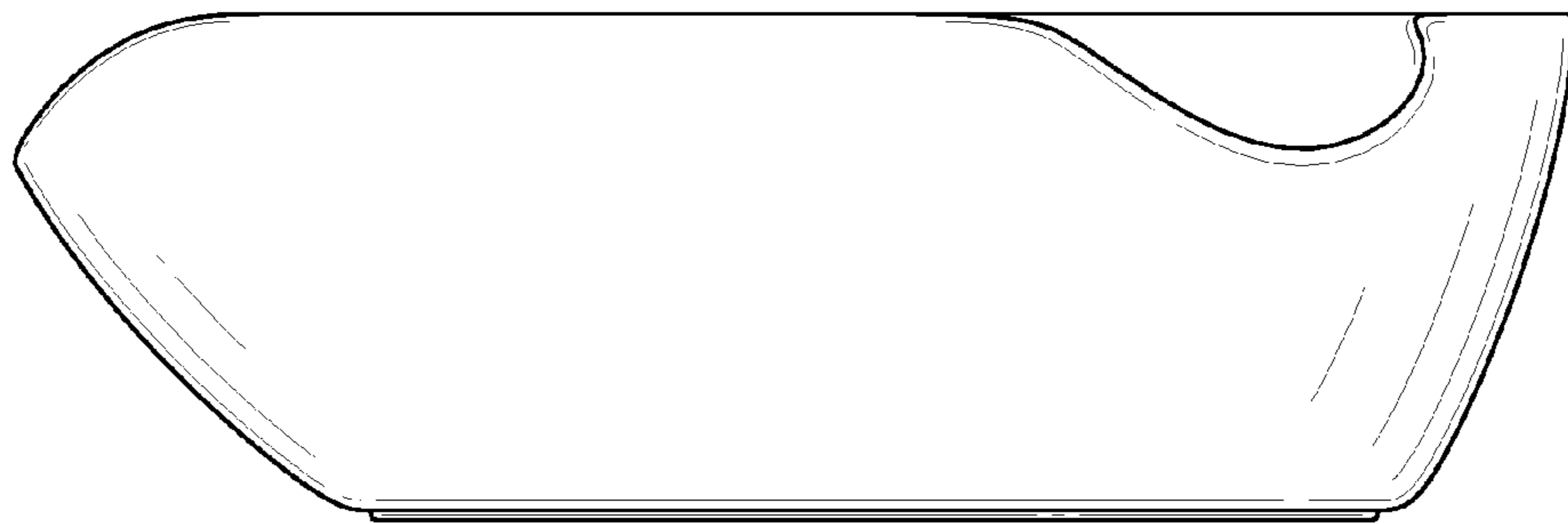


FIG. 2



FIG. 3

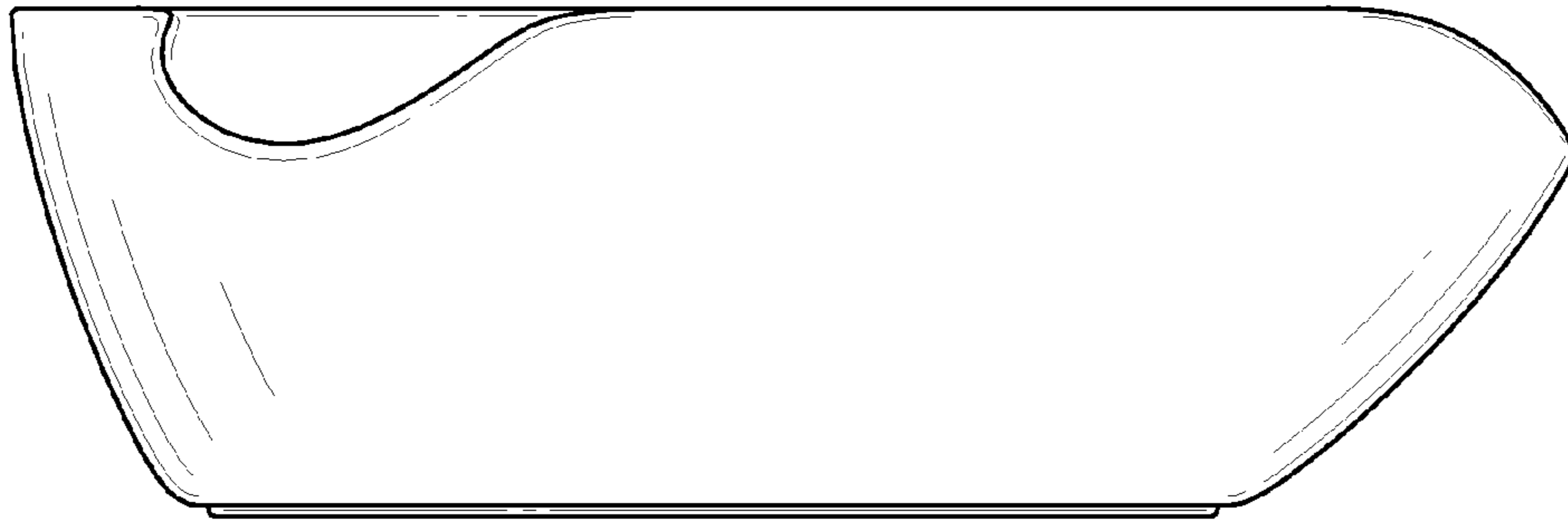


FIG. 4

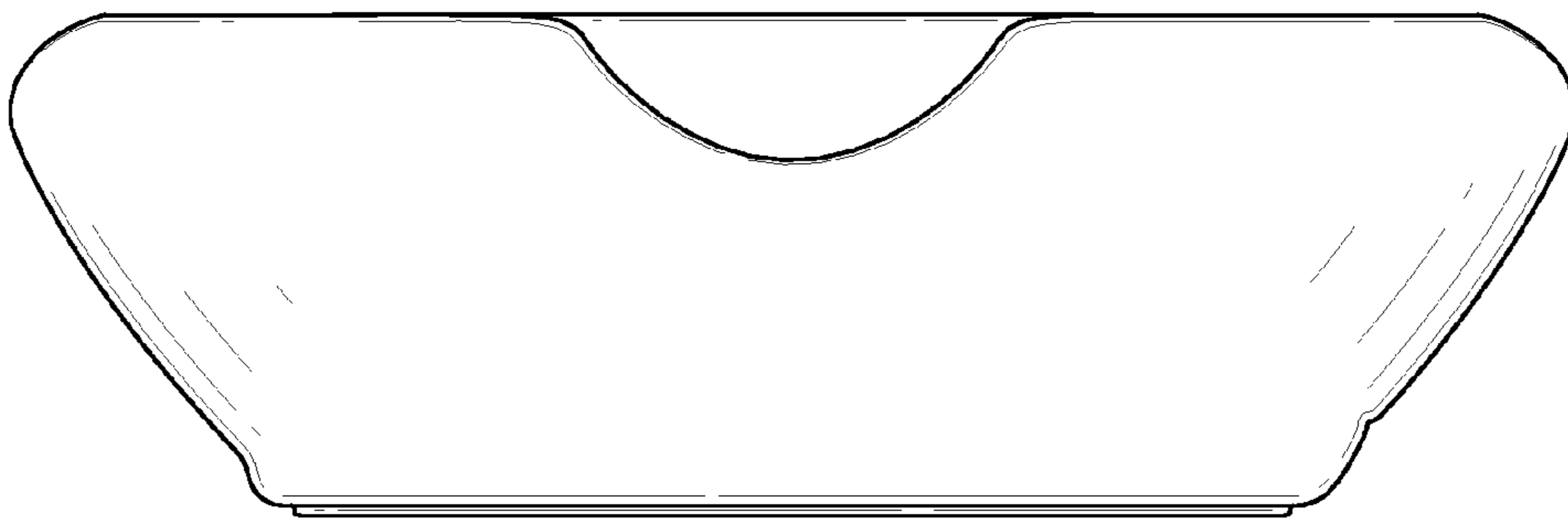


FIG. 5

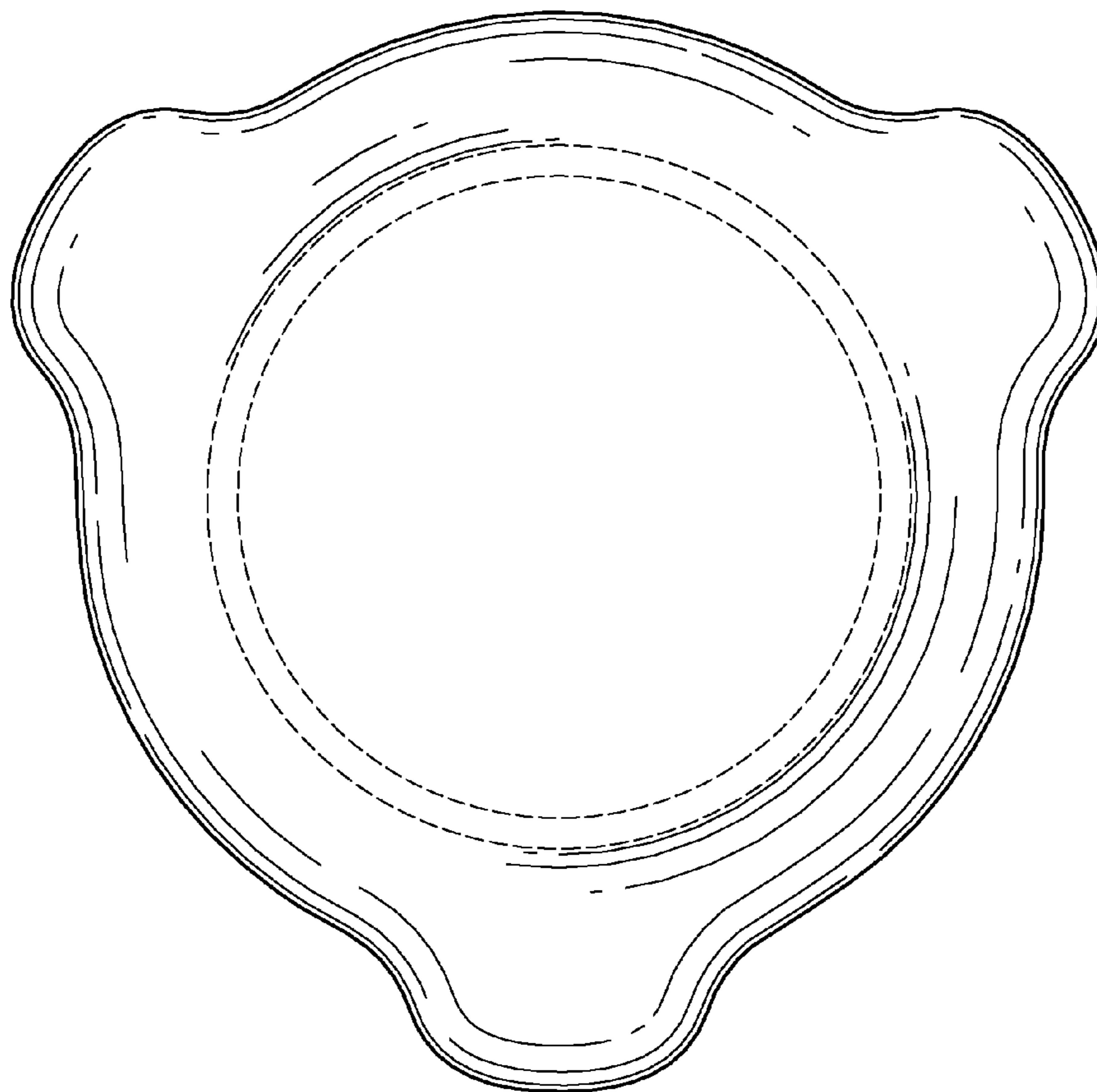


FIG. 6

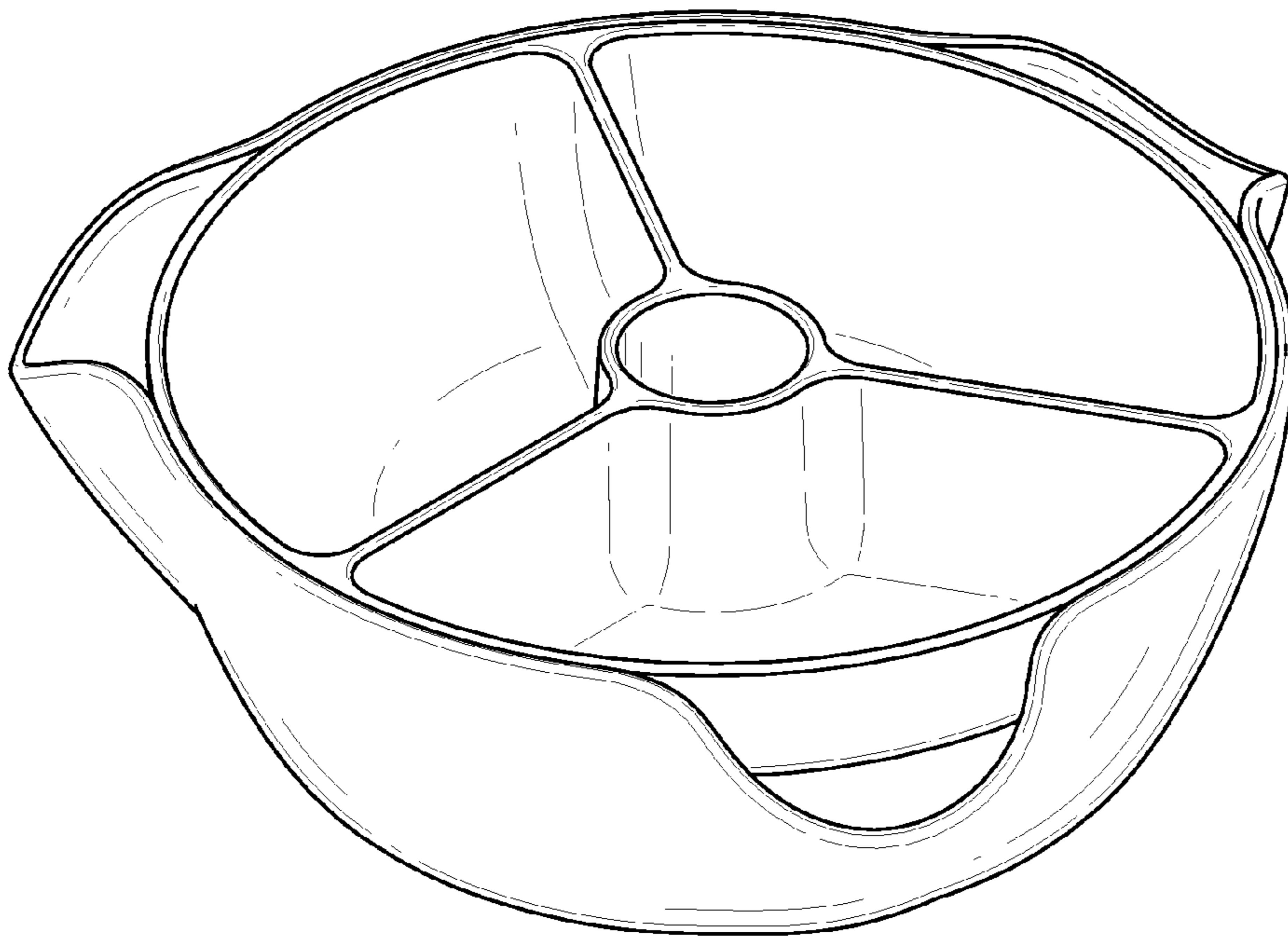


FIG.7