



US00D684428S

(12) **United States Design Patent**  
**Spencer**

(10) **Patent No.:** **US D684,428 S**  
(45) **Date of Patent:** **\*\* Jun. 18, 2013**

(54) **DRINKING CUP AND CELL PHONE  
AMPLIFYING DEVICE**

(76) Inventor: **Christopher Spencer**, Tampa, FL (US)

(\*\*) Term: **14 Years**

(21) Appl. No.: **29/422,677**

(22) Filed: **May 23, 2012**

**Related U.S. Application Data**

(63) Continuation-in-part of application No. 13/453,091,  
filed on Apr. 23, 2012.

(51) **LOC (9) Cl.** ..... **07-01**

(52) **U.S. Cl.**  
USPC ..... **D7/536; D7/533; D7/620; D7/507**

(58) **Field of Classification Search**  
USPC ..... **D7/510, 511, 509, 523, 533, 536,  
D7/620, 507; 220/764, 703, 713; 215/382;  
224/148.6, 148.5; D3/215**  
See application file for complete search history.

(56) **References Cited**

**U.S. PATENT DOCUMENTS**

D277,921 S \* 3/1985 Otto ..... D7/536  
D490,652 S \* 6/2004 Xiong ..... D7/510

D522,312 S \* 6/2006 Bodum ..... D7/536  
D552,931 S \* 10/2007 Bodum ..... D7/536  
D567,590 S \* 4/2008 Bodum ..... D7/536  
D587,060 S \* 2/2009 Tong Chi Chung ..... D7/319  
D639,608 S \* 6/2011 Tohm, Sr. .... D7/536  
D642,020 S \* 7/2011 Fu ..... D7/536  
D646,524 S \* 10/2011 Kortleven ..... D7/533  
D678,727 S \* 3/2013 Kolar ..... D7/533

\* cited by examiner

*Primary Examiner* — Marianne Pandozzi

(74) *Attorney, Agent, or Firm* — Edward P. Dutkiewicz

(57) **CLAIM**

The ornamental design for a drinking cup and cell phone  
amplifying device, as shown and described.

**DESCRIPTION**

FIG. 1 is a right side elevational view of the drinking cup and  
cell phone amplifying device showing my new design;  
FIG. 2 is a left side elevational view thereof;  
FIG. 3 is a front elevational view thereof;  
FIG. 4 is a rear elevational view thereof;  
FIG. 5 is a top plan view thereof; and,  
FIG. 6 is a bottom plan view thereof.

**1 Claim, 3 Drawing Sheets**

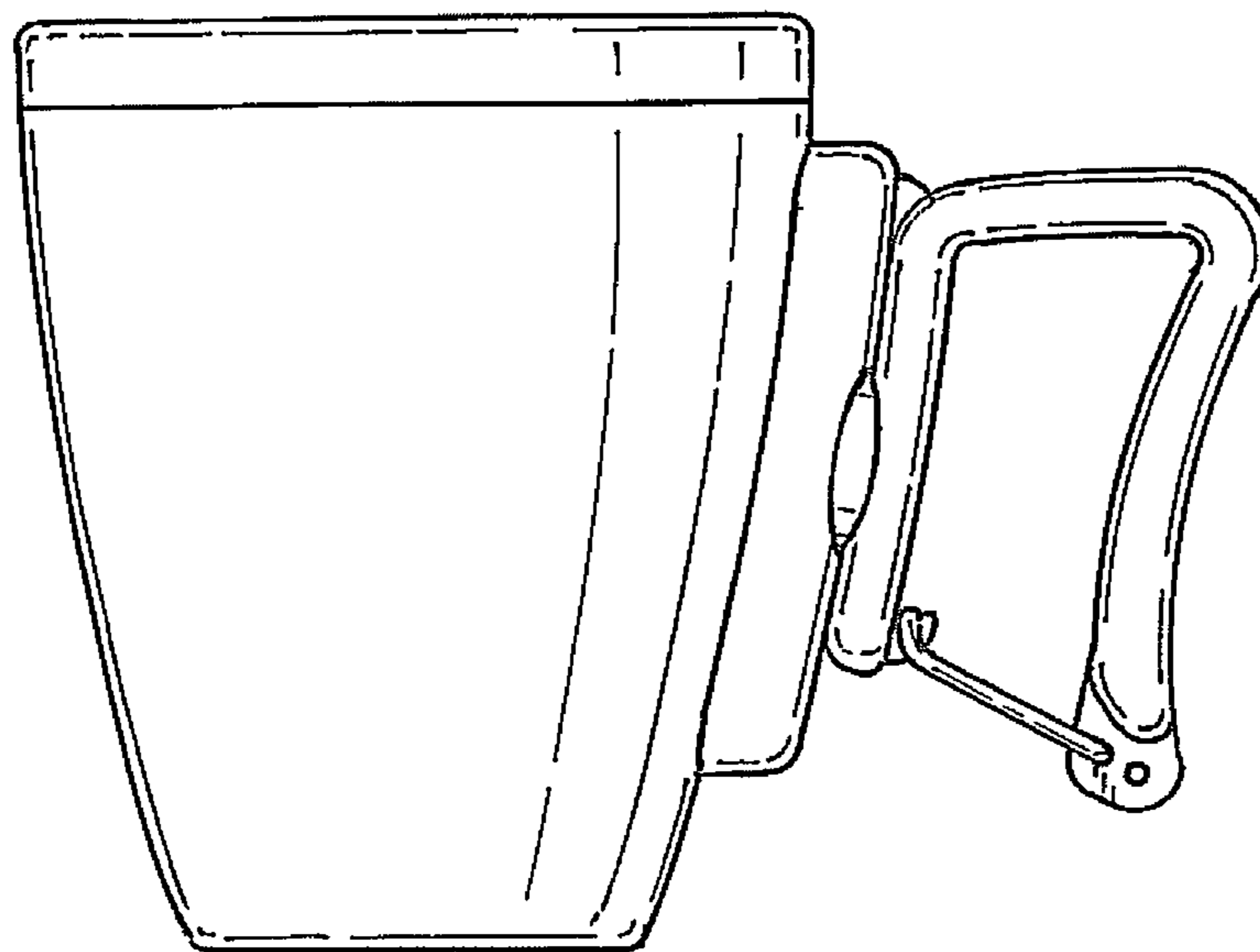


FIG. 1

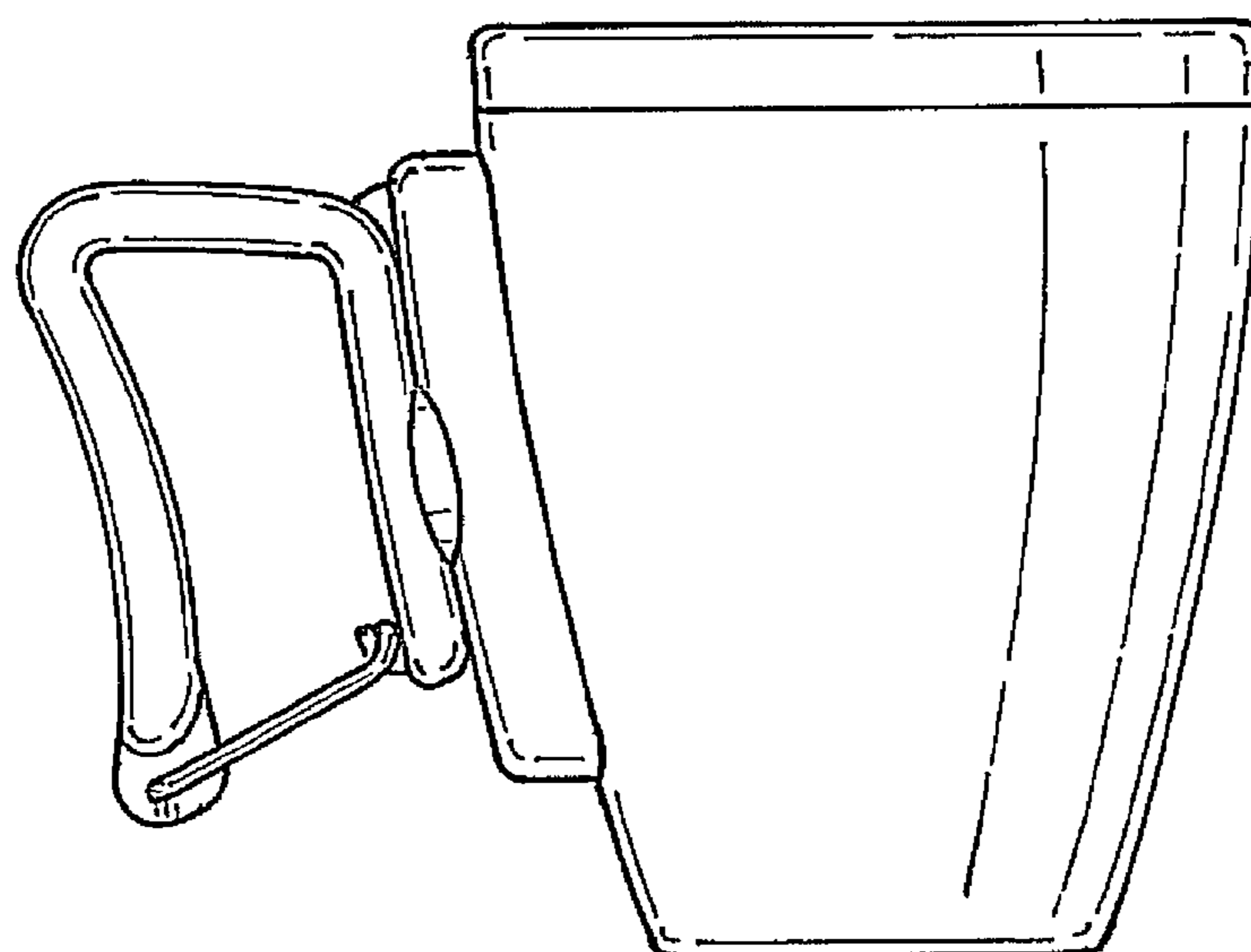
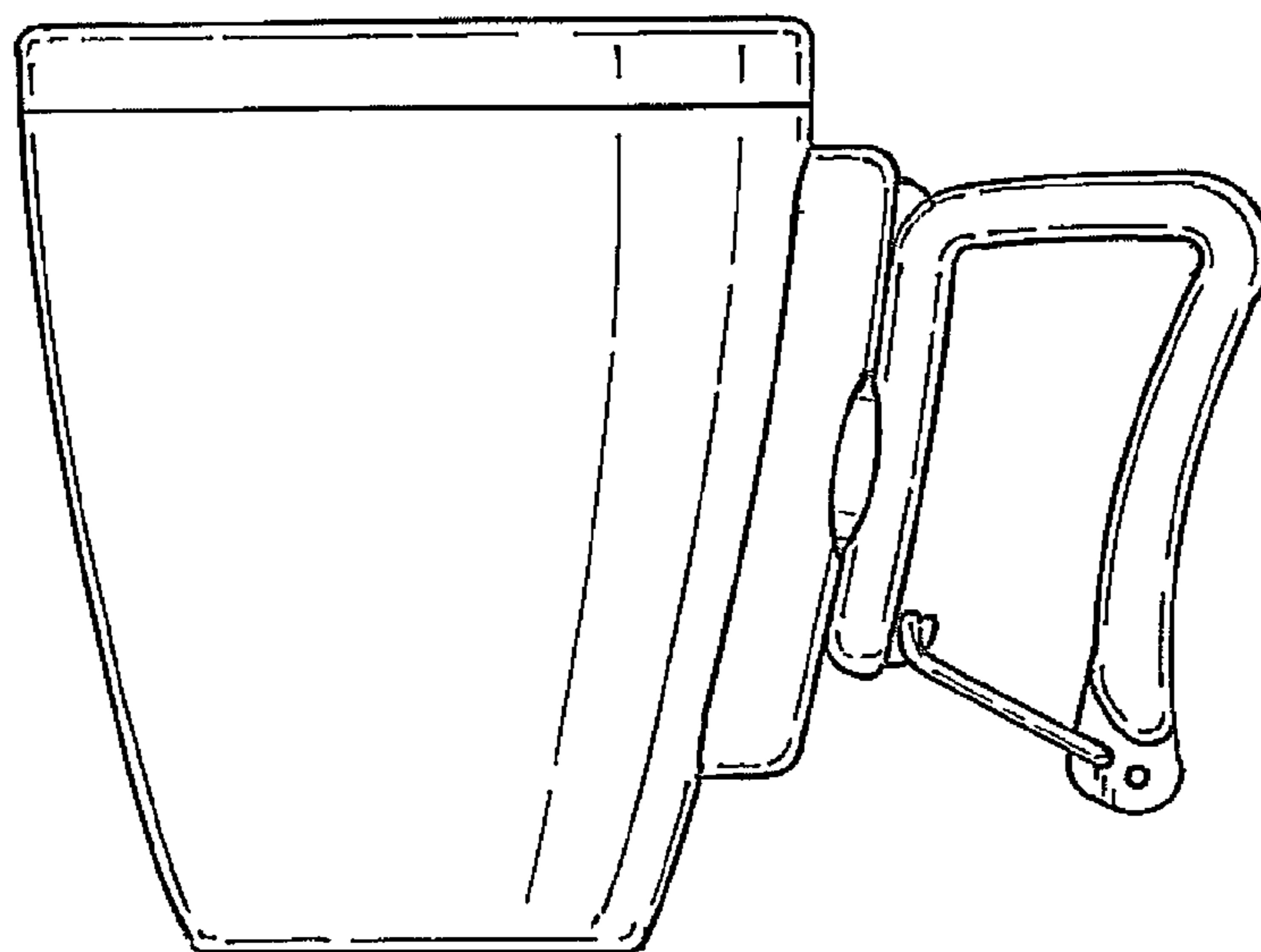


FIG. 2

FIG. 3

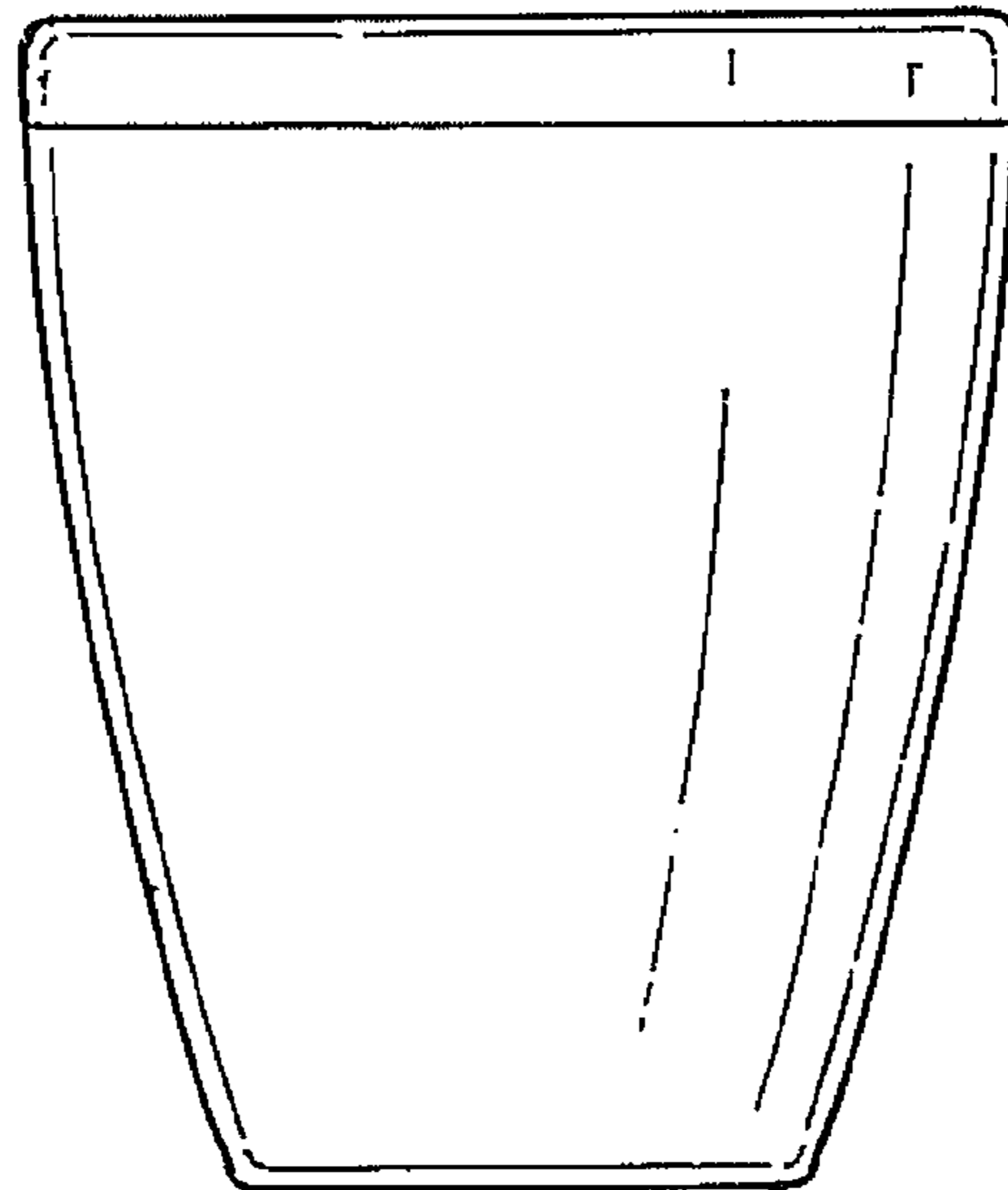
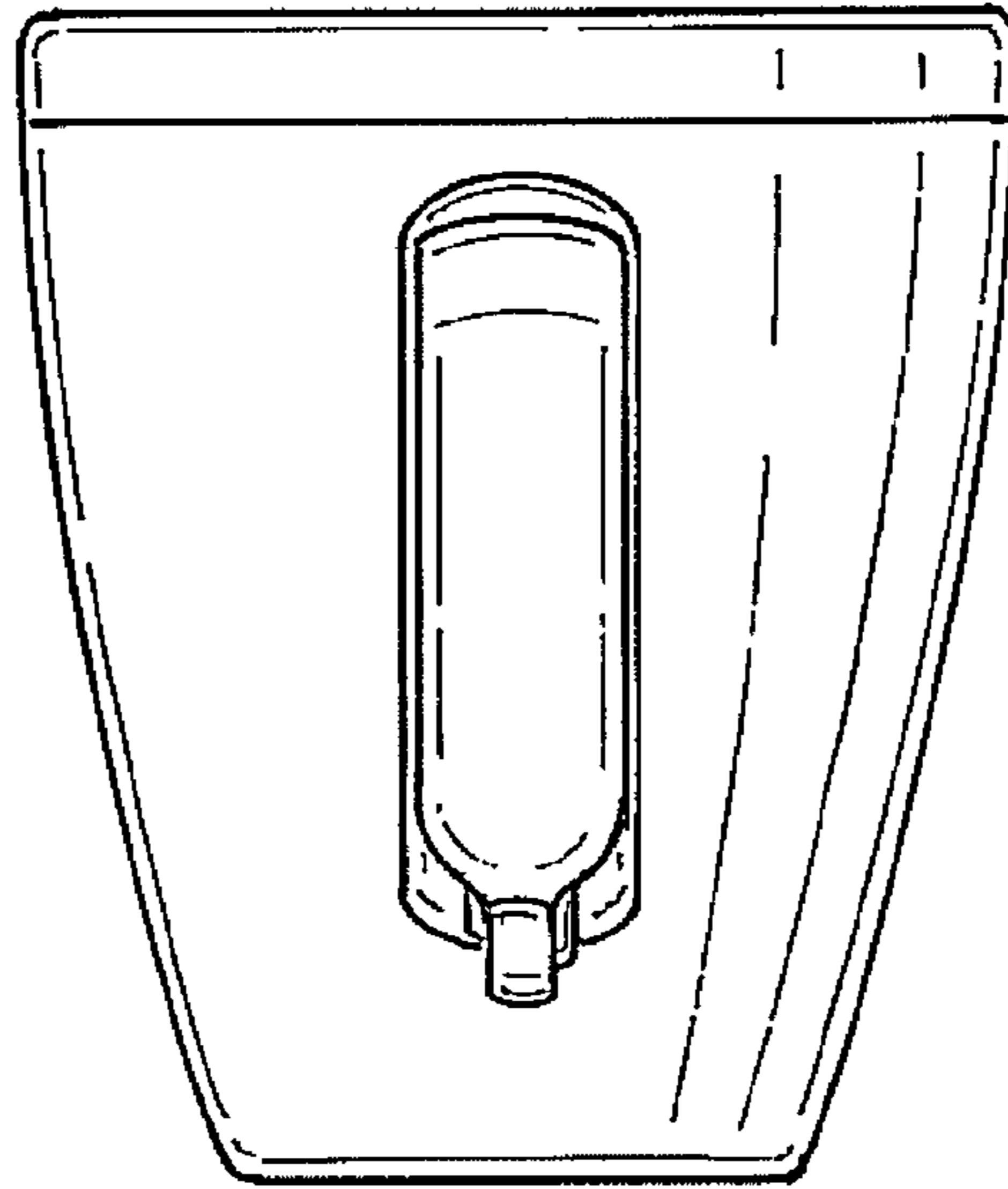


FIG. 4

FIG. 5

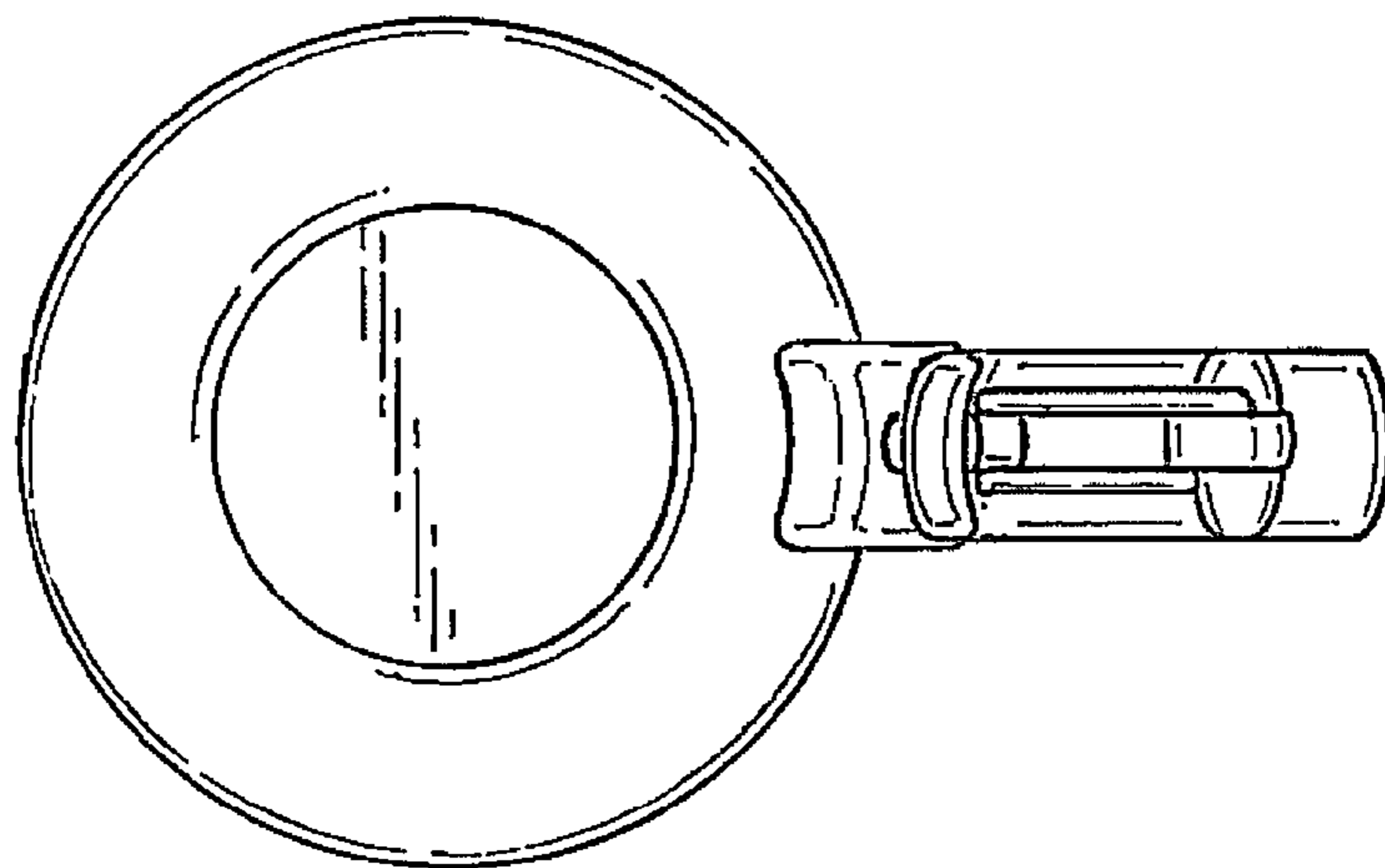
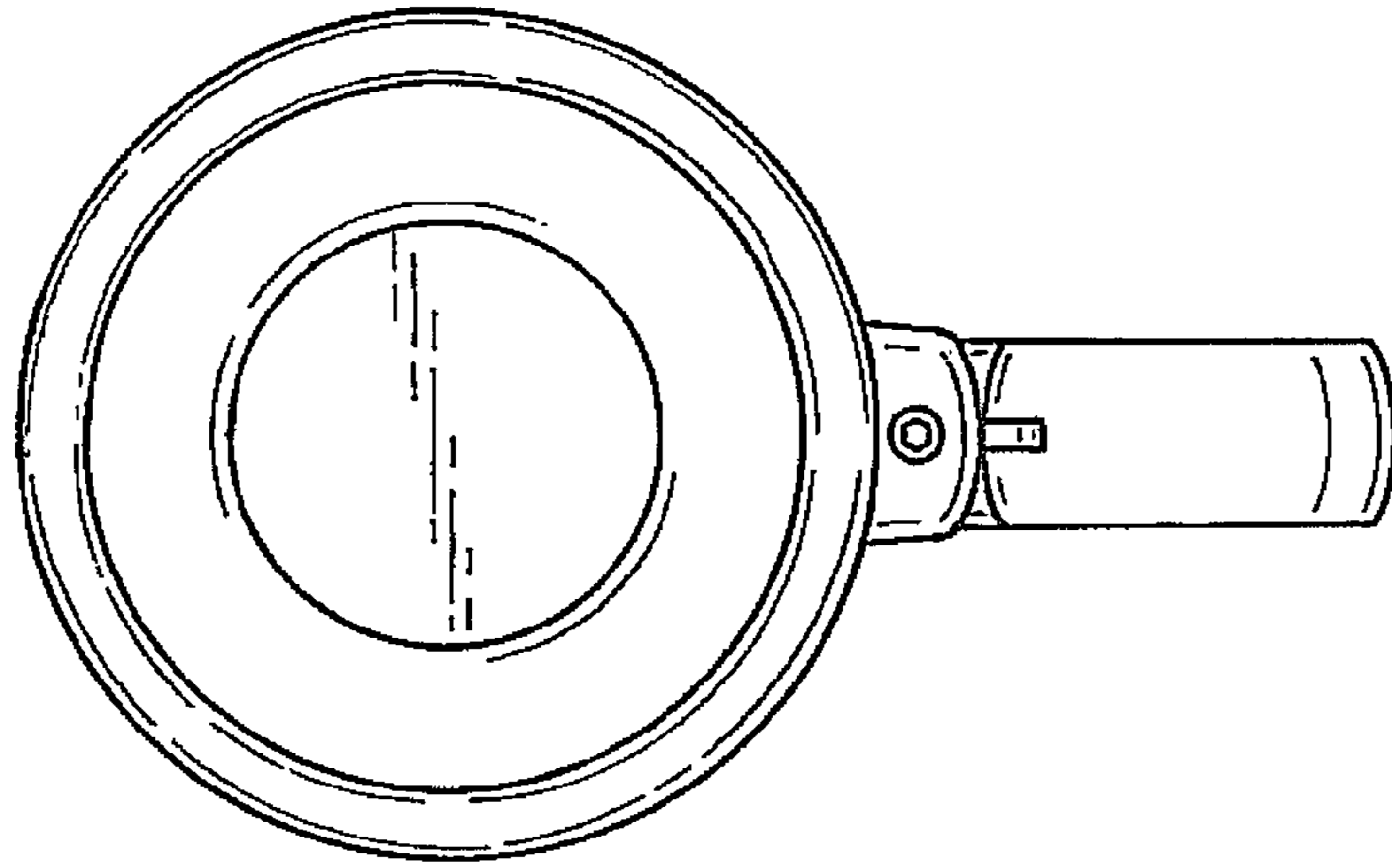


FIG. 6