



US00D684427S

(12) **United States Design Patent**  
**Wright**

(10) **Patent No.:** **US D684,427 S**  
(45) **Date of Patent:** **\*\* Jun. 18, 2013**

(54) **BEVERAGE CONTAINER HAVING A COUNTER AND TIMER**

(74) *Attorney, Agent, or Firm* — Rashauna A. Norment; Joe D. Calhoun

(76) Inventor: **Michele R. Wright**, North Little Rock, AR (US)

(57) **CLAIM**  
The ornamental design for a beverage container having a counter and timer, as shown and described.

(\*\*) Term: **14 Years**

(21) Appl. No.: **29/430,599**

**DESCRIPTION**

(22) Filed: **Aug. 28, 2012**

(51) **LOC (9) Cl.** ..... **07-01**

(52) **U.S. Cl.**  
USPC ..... **D7/517; D7/507; D7/516; D7/510**

(58) **Field of Classification Search**  
USPC ..... **D7/514, 515, 516, 517, 519, 520, D7/510, 511; D9/618, 614, 623; 220/592.16, 220/592.17, 703**  
See application file for complete search history.

FIG. 1 is an exploded front elevational view of a beverage container having a counter and timer showing my new design, the lid in open position;  
FIG. 2 is a rear elevational view thereof;  
FIG. 3 is a right side view thereof, the left side view being a mirror image of the right side view;  
FIG. 4 is a top plan view thereof;  
FIG. 5 is a bottom plan view thereof;  
FIG. 6 is a perspective view thereof;  
FIG. 7 is an exploded perspective view showing the lid portion only of a beverage container having a counter and timer with the body removed for ease of illustration showing a second embodiment of my new design;  
FIG. 8 is an exploded left side view of the entire second embodiment of the beverage container having a counter and timer; and,  
FIG. 9 is a perspective view of a beverage container having a counter and timer showing a second embodiment of my new design.  
The broken lines in the drawings are included for the purpose of illustration and form no part of the claimed design.

(56) **References Cited**

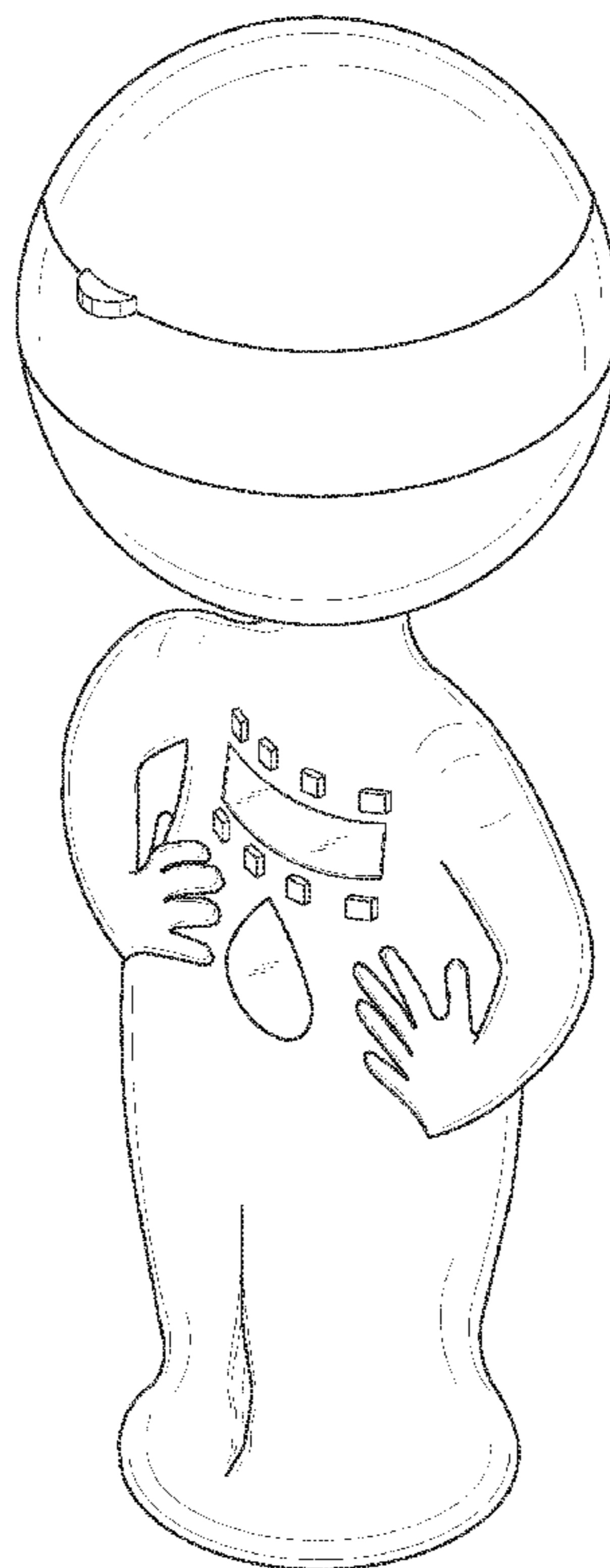
U.S. PATENT DOCUMENTS

D167,420 S *	8/1952	Penn	.....	D7/517
D420,853 S *	2/2000	Bissell, Sr.	.....	D7/517
D423,289 S *	4/2000	Bissell, Sr.	.....	D7/517
D462,237 S *	9/2002	Kay	.....	D7/517
D514,386 S *	2/2006	Yaniv	.....	D7/522
D621,661 S *	8/2010	Levovnik	.....	D7/517
D664,397 S *	7/2012	Franco	.....	D7/517

\* cited by examiner

*Primary Examiner* — Marianne Pandozzi

**1 Claim, 8 Drawing Sheets**



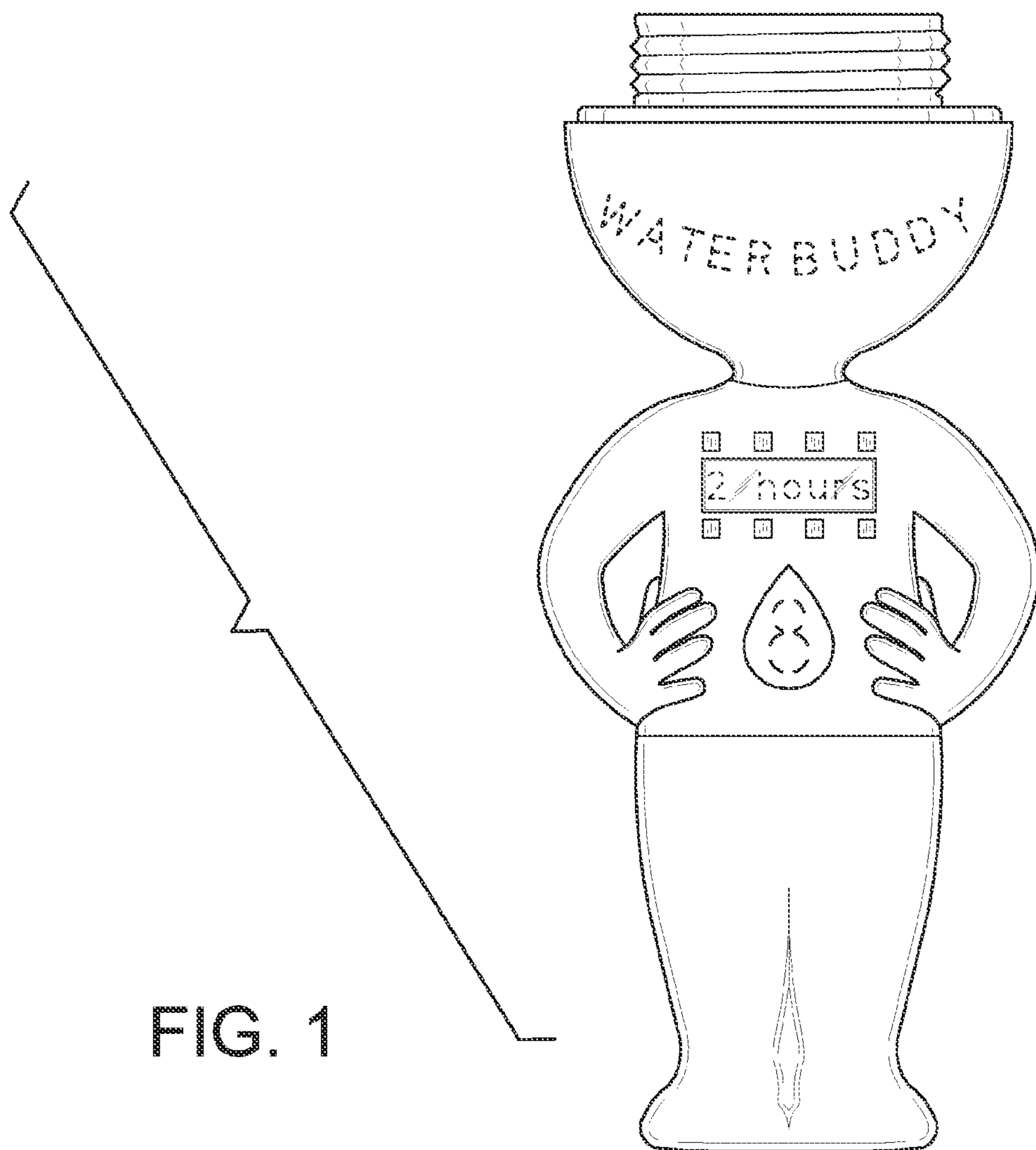
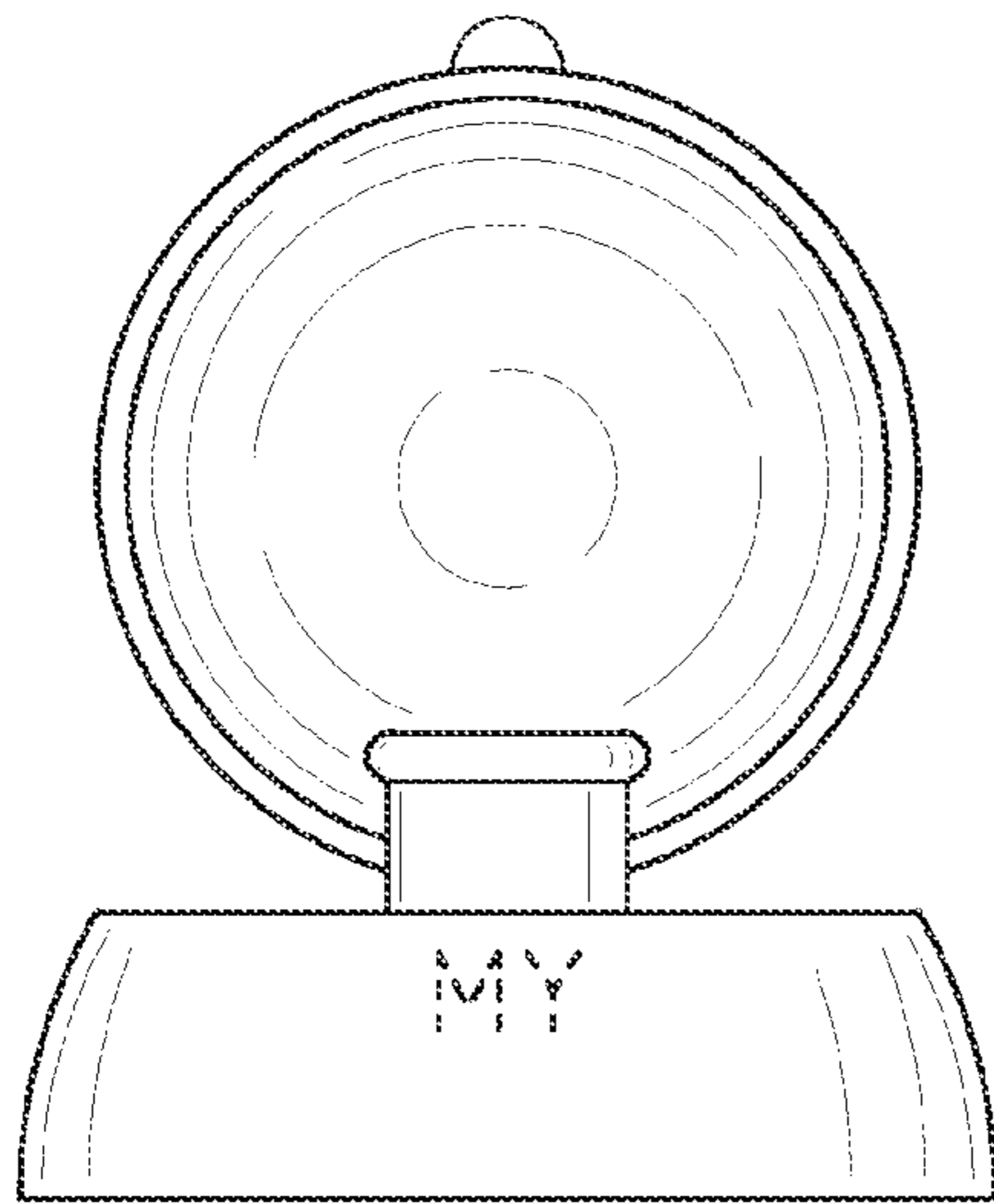


FIG. 1

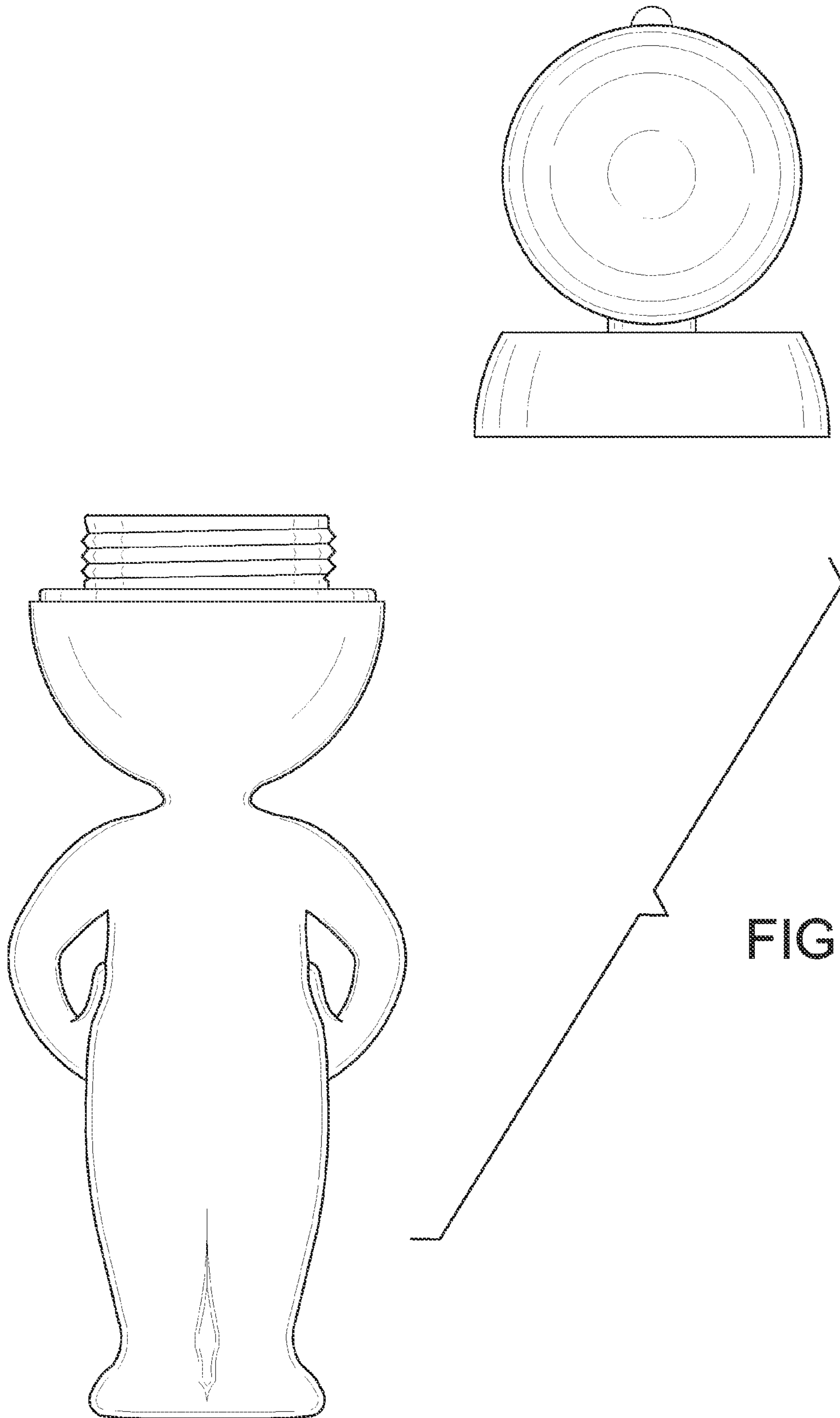
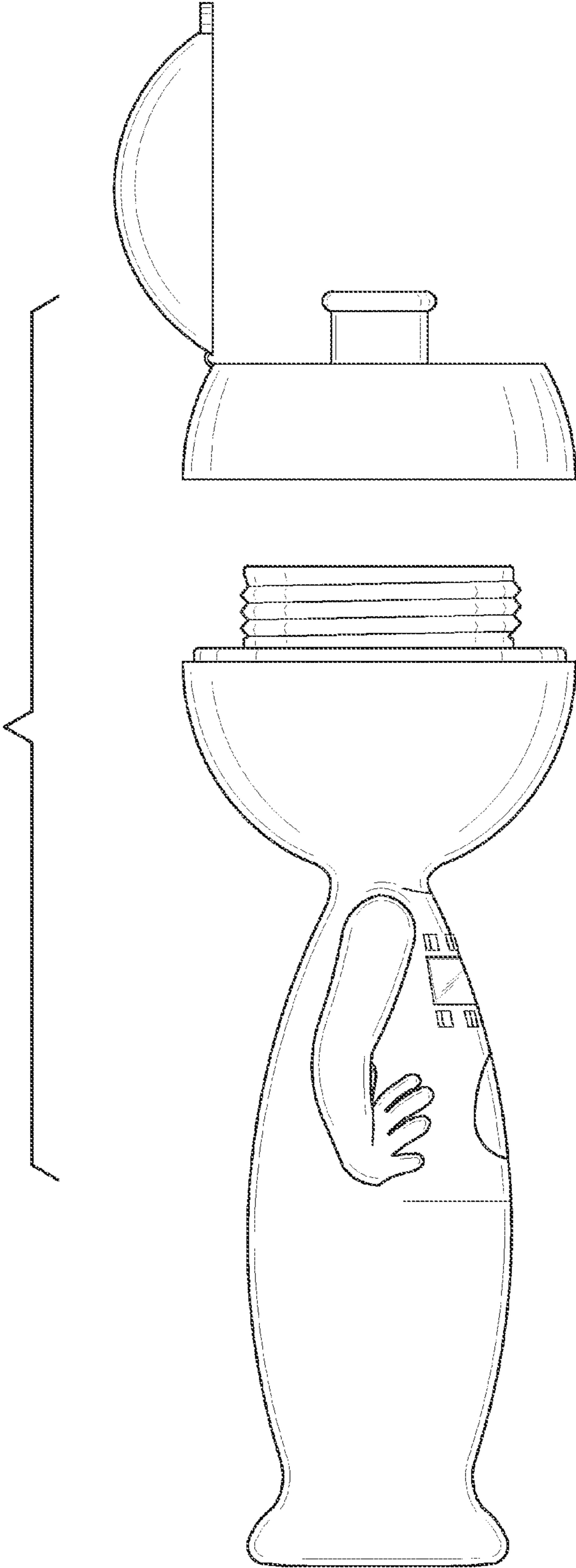


FIG. 2

FIG. 3



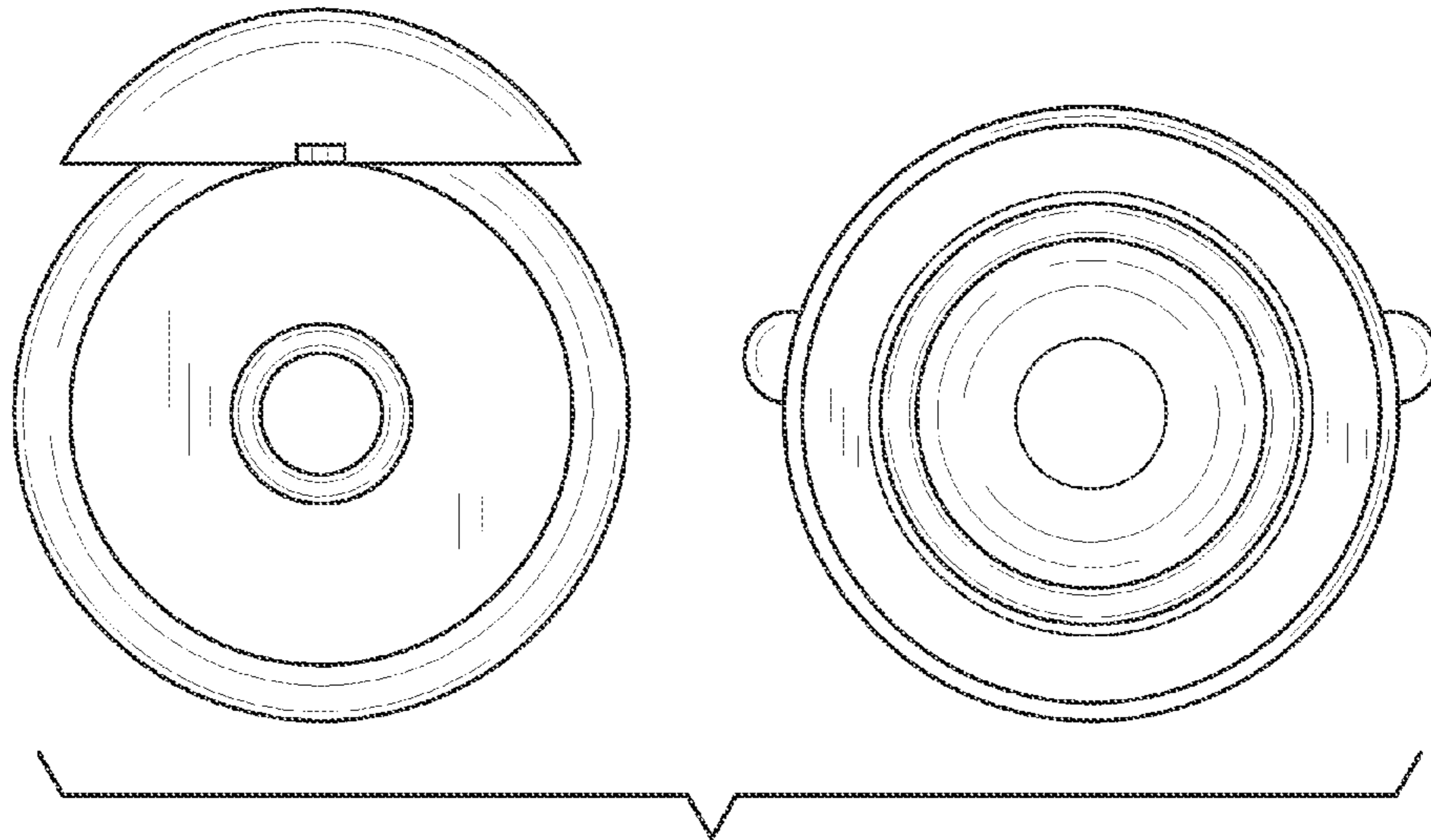


FIG. 4

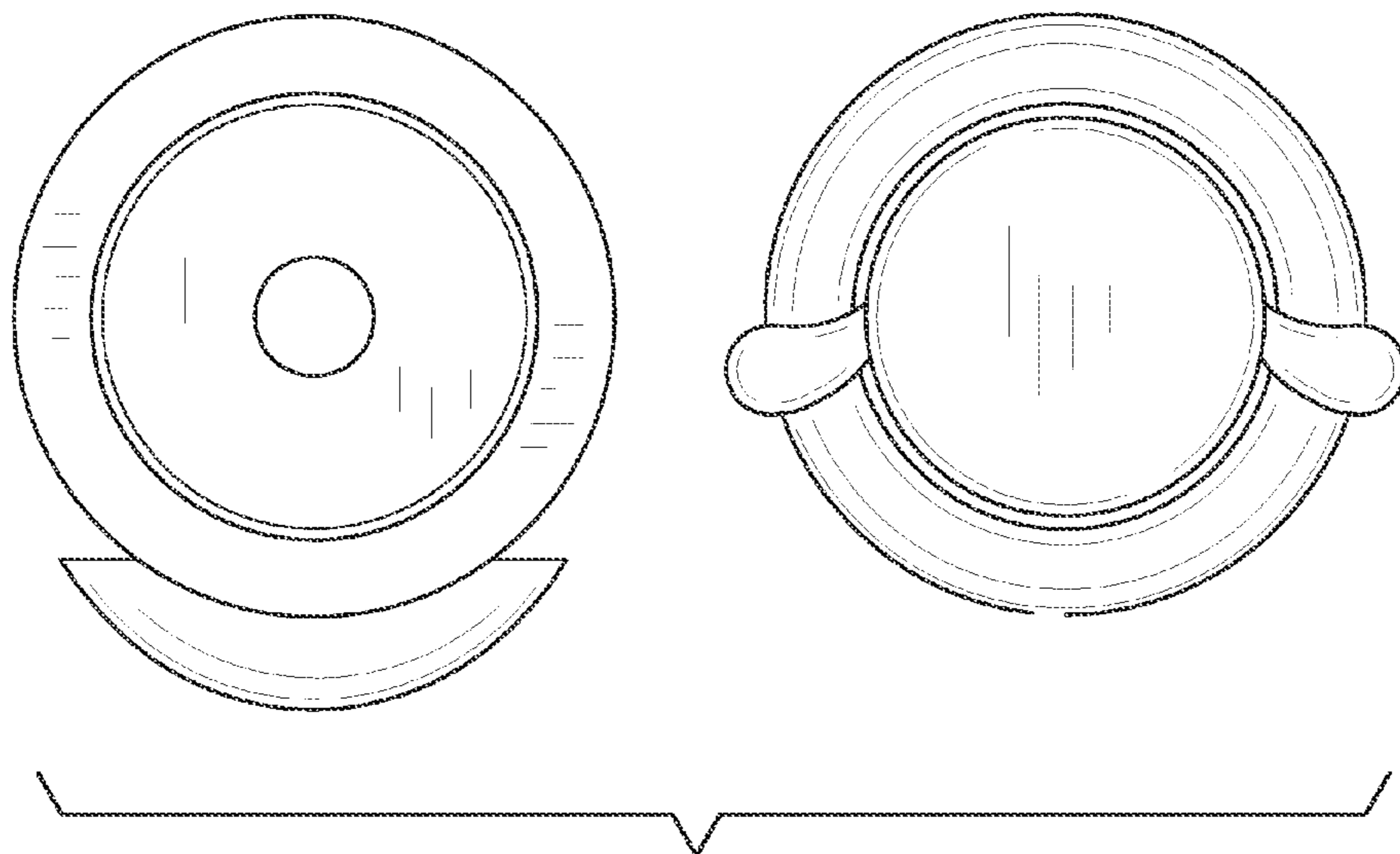


FIG. 5

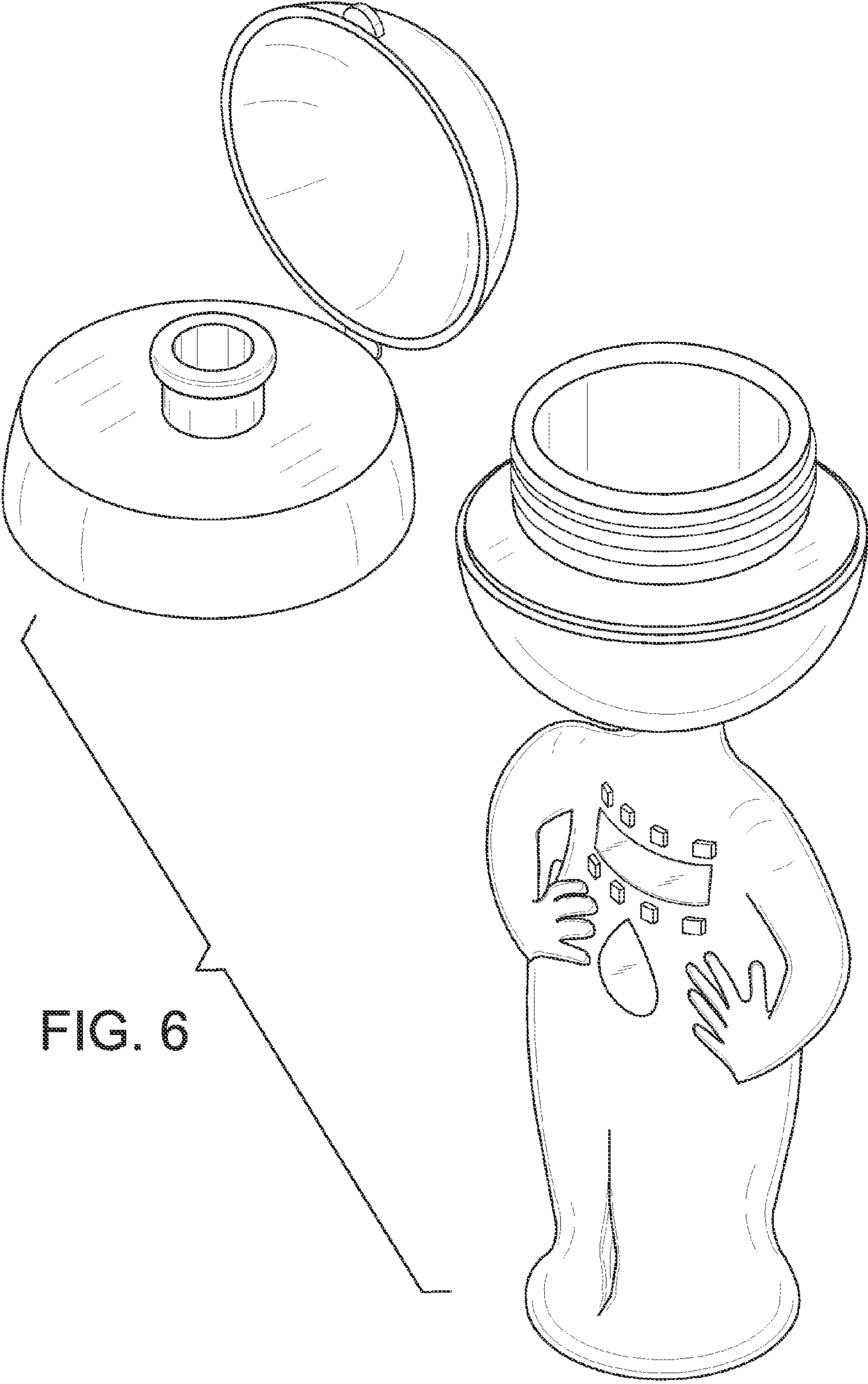


FIG. 6

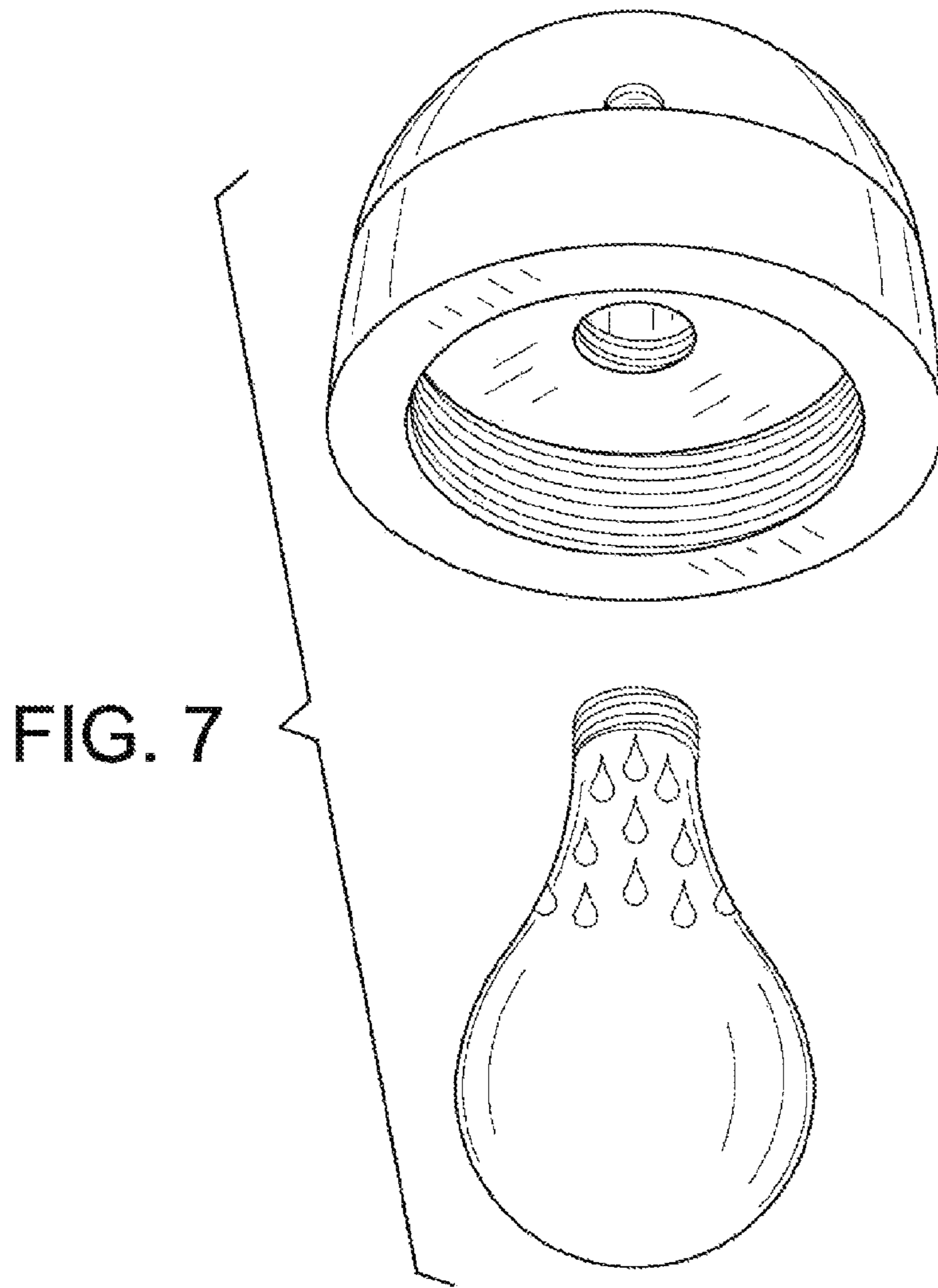
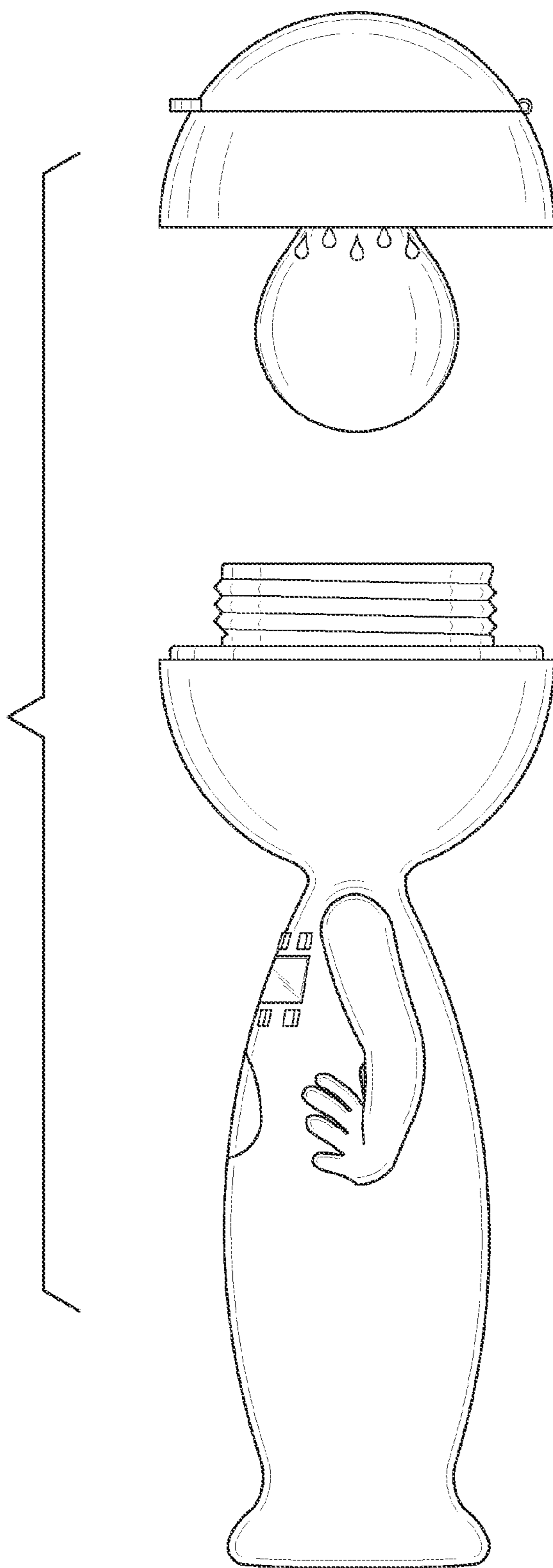


FIG. 8





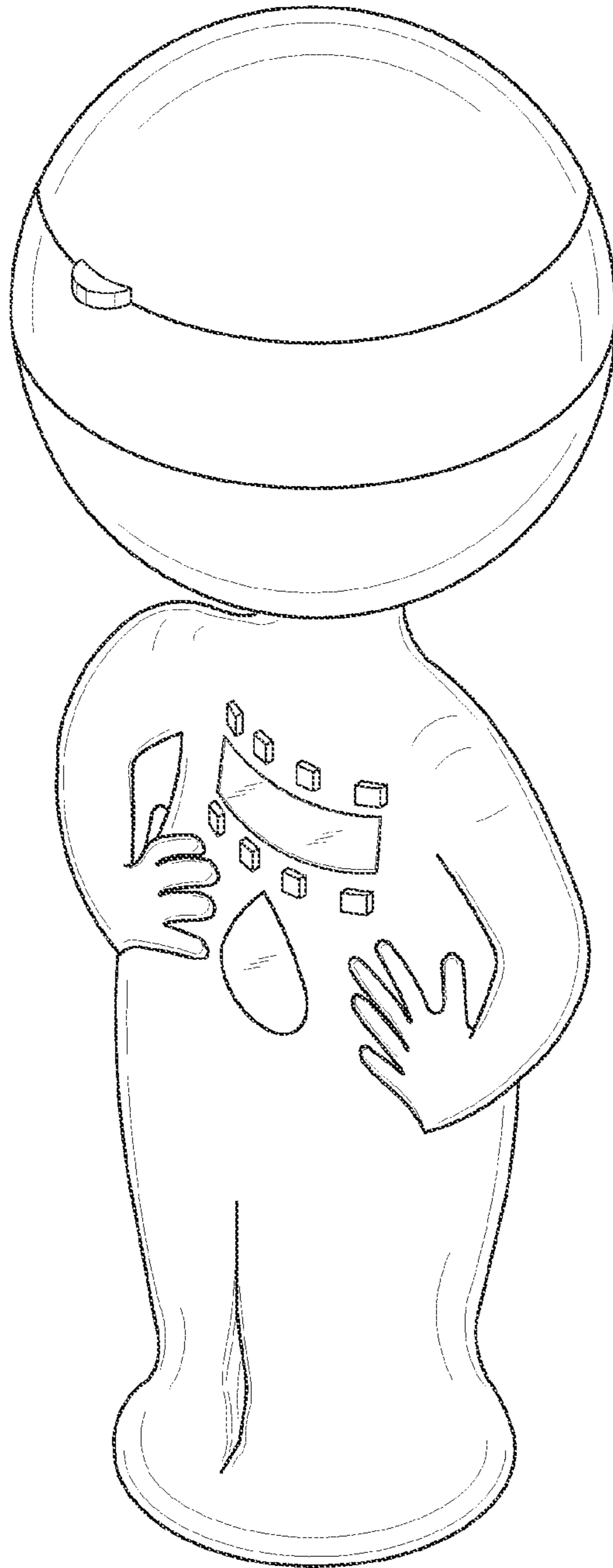


FIG. 9