



US00D684424S

(12) **United States Design Patent**
Funnell et al.

(10) **Patent No.:** **US D684,424 S**
(45) **Date of Patent:** **** Jun. 18, 2013**

- (54) **GRATE FOR GAS COOKTOP**
- (71) Applicant: **BSH Home Appliances Corporation**,
Irvine, AZ (US)
- (72) Inventors: **Richard W. Funnell**, Corona del Mar,
CA (US); **Graham Sadtler**, Huntington
Beach, CA (US)
- (73) Assignee: **BSH Home Appliances Corporation**,
Irvine, CA (US)
- (**) Term: **14 Years**
- (21) Appl. No.: **29/441,955**
- (22) Filed: **Jan. 11, 2013**

D209,436 S *	11/1967	Myler	D7/408
D303,609 S *	9/1989	Binzer	D7/408
D353,300 S *	12/1994	Edman et al.	D7/408
D367,802 S *	3/1996	Lewis et al.	D7/408
D369,061 S *	4/1996	Holbrook, Jr.	D7/408
D369,062 S *	4/1996	Holbrook, Jr.	D7/408
D371,277 S *	7/1996	Pink	D7/408
D378,262 S *	3/1997	Sparks	D7/408
D378,885 S *	4/1997	Sparks	D7/408
D389,374 S *	1/1998	Miller	D7/408
D401,112 S *	11/1998	Miller	D7/408
D460,320 S *	7/2002	Becker et al.	D7/408
D461,090 S *	8/2002	Rummel et al.	D7/346
D468,161 S *	1/2003	Goodwin	D7/408
D489,933 S *	5/2004	Rummel et al.	D7/346
6,886,552 B2 *	5/2005	Cadima	126/211
D524,601 S *	7/2006	Vetter	D7/408
D550,505 S *	9/2007	Pino et al.	D7/408

(Continued)

Related U.S. Application Data

- (62) Division of application No. 29/383,729, filed on Jan. 21, 2011, which is a division of application No. 29/369,406, filed on Sep. 8, 2010, now Pat. No. Des. 634,579, which is a division of application No. 29/351,037, filed on Nov. 30, 2009, now Pat. No. Des. 628,431.
- (51) **LOC (9) Cl.** **07-02**
- (52) **U.S. Cl.**
USPC **D7/408**
- (58) **Field of Classification Search**
USPC D7/339-341, 346, 354-361, 388,
D7/402, 408-409; D23/346-347, 397; 99/385,
99/402, 403, 427, 449-450, 421 A, 421 H,
99/421 R; 126/211, 275 R; 220/491, 912
See application file for complete search history.

References Cited

U.S. PATENT DOCUMENTS

D64,935 S *	6/1924	Sherman	D7/408
D68,133 S *	9/1925	Cooney	D7/408

Primary Examiner — T. Chase Nelson

Assistant Examiner — Mark Cavanna

(74) *Attorney, Agent, or Firm* — James E. Howard; Andre Pallabies

(57)

CLAIM

The ornamental design for a grate for gas cooktop, as shown and described.

DESCRIPTION

FIG. 1 is a front perspective view of a center grate portion of a grate for a gas cooktop from the top, right corner, according to our design;

FIG. 2 is a front view thereof;

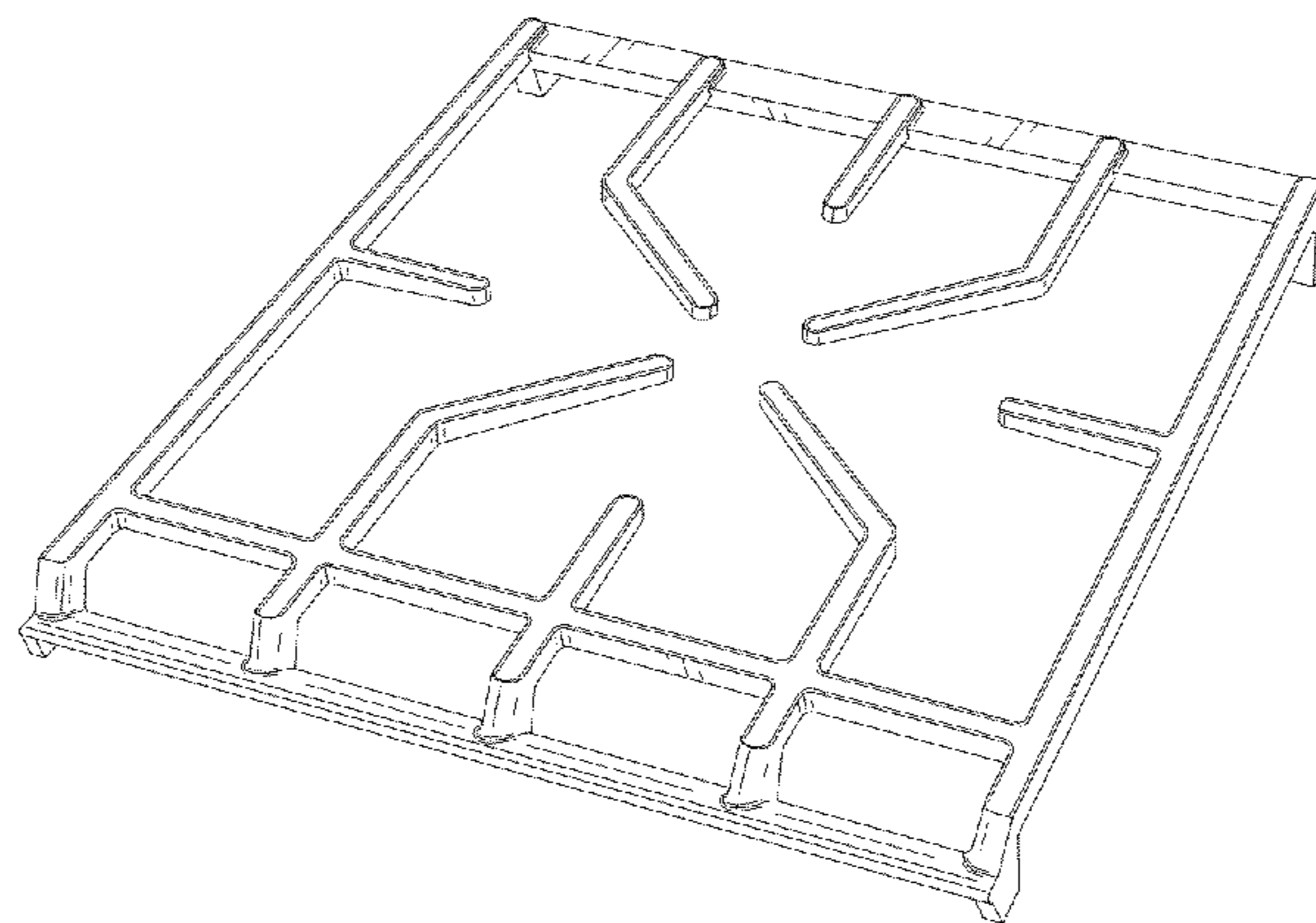
FIG. 3 is a rear view thereof;

FIG. 4 is a top view thereof; and,

FIG. 5 is a right side view thereof, with the left side thereof being a mirror image thereof.

The bottom of the grate for gas cooktop forms no part of the claimed design.

1 Claim, 3 Drawing Sheets



US D684,424 S

Page 2

U.S. PATENT DOCUMENTS

D551,501 S	*	9/2007	Baldwin	D7/408	D577,255 S	*	9/2008	Baldwin et al.	D7/408
D554,945 S	*	11/2007	Chung	D7/409	D602,738 S	*	10/2009	Bengtson et al.	D7/408
D564,838 S	*	3/2008	Shin et al.	D7/408	D633,337 S	*	3/2011	Funnell et al.	D7/408

* cited by examiner

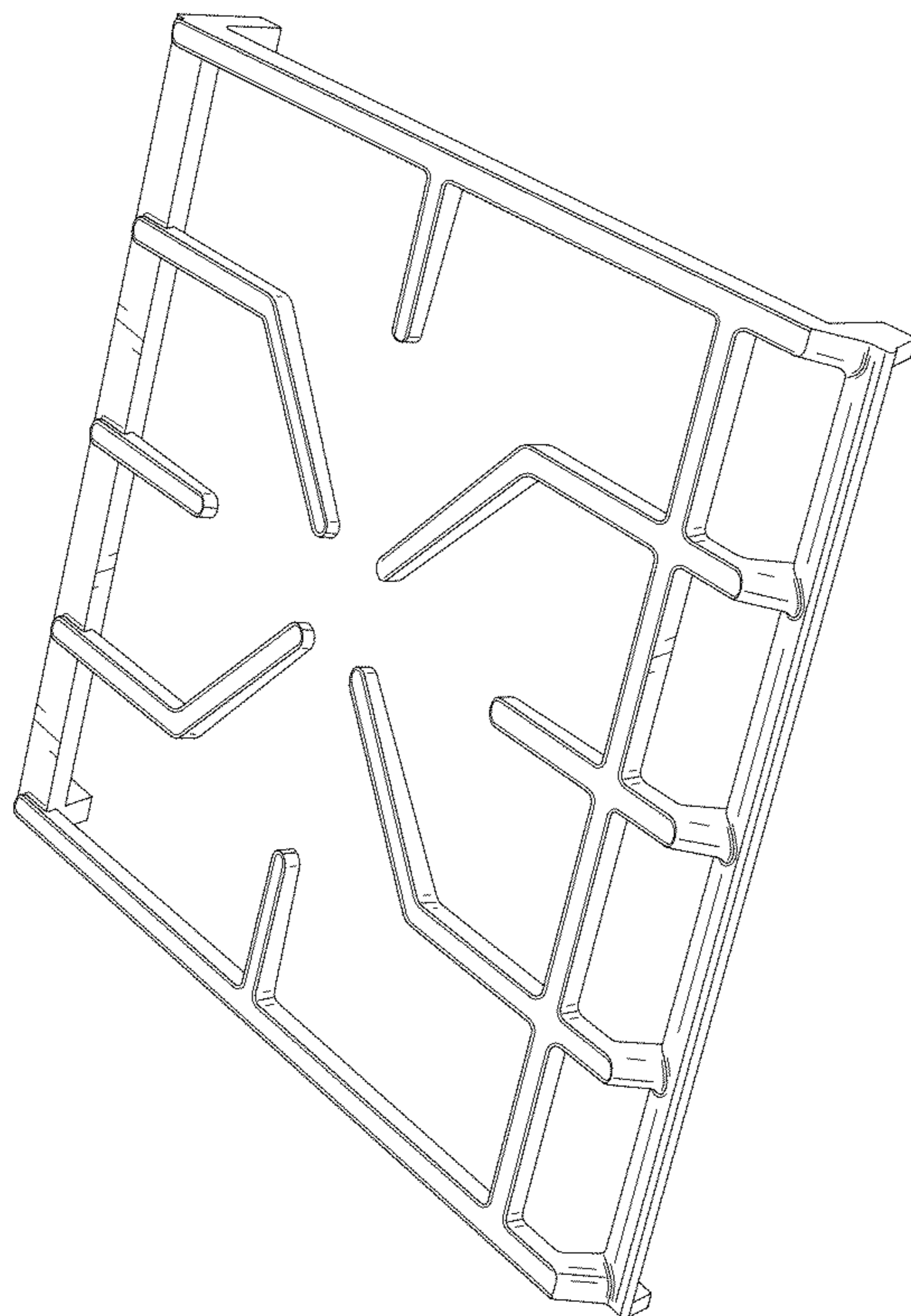


Figure 1

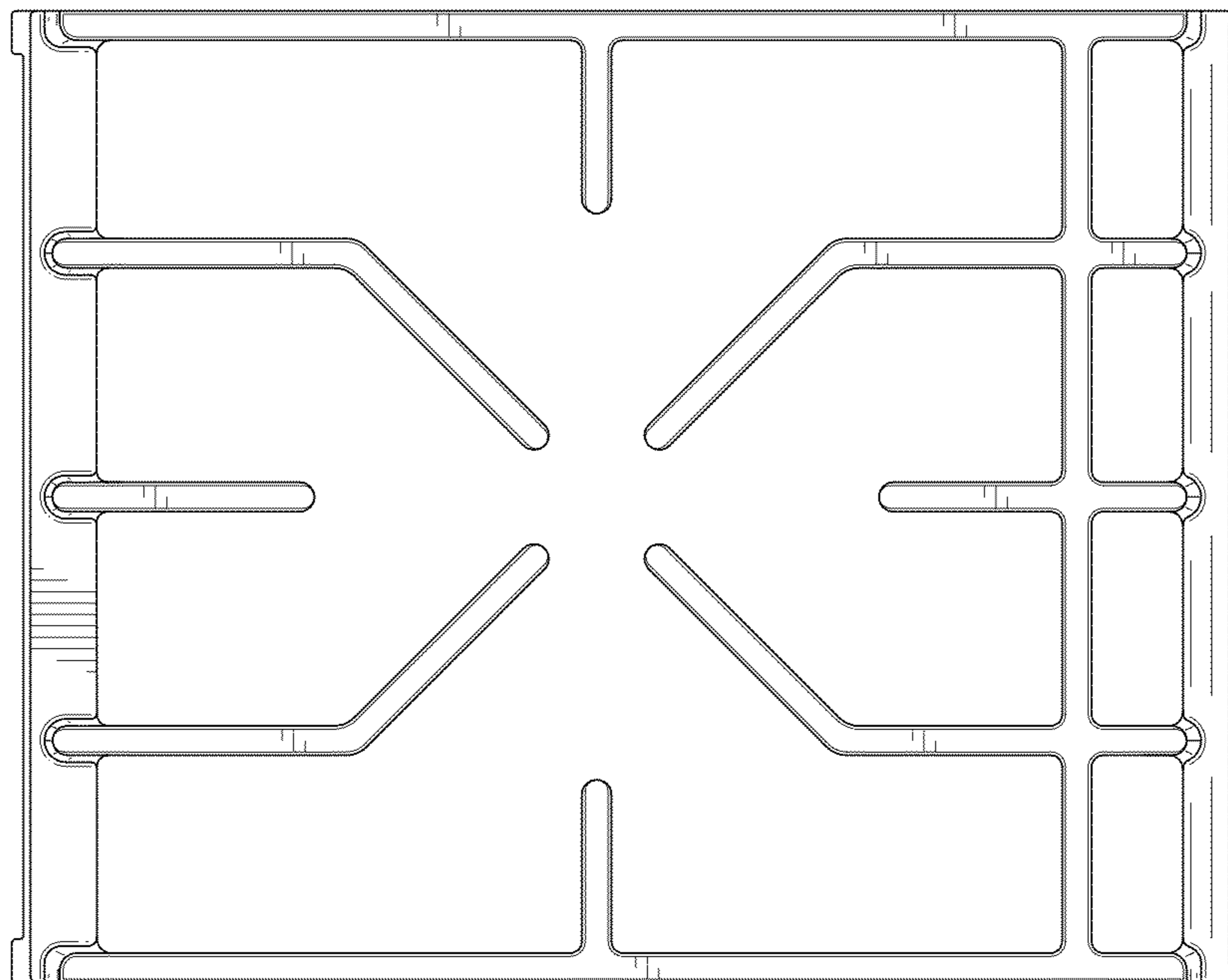


Figure 4

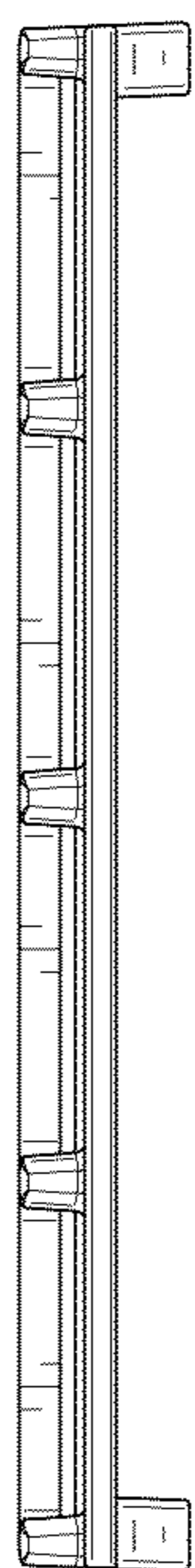


Figure 2

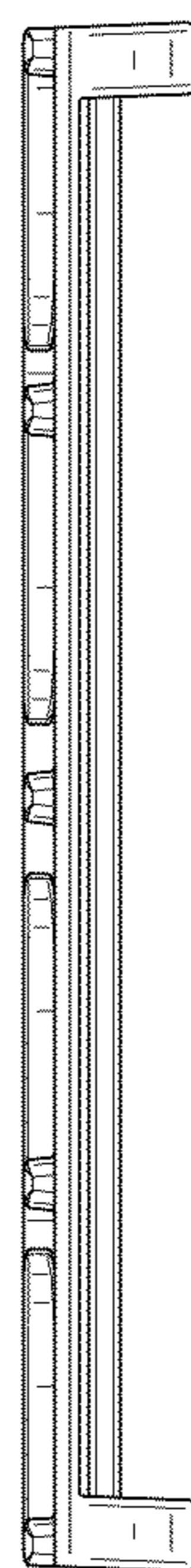


Figure 3

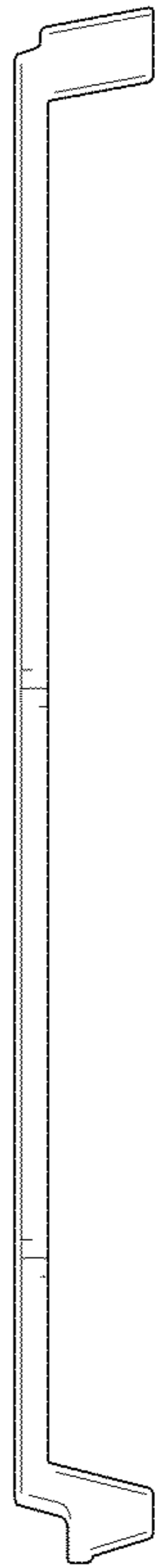


Figure 5