



US00D684422S

(12) **United States Design Patent**  
**Funnell, II et al.**

(10) **Patent No.:** **US D684,422 S**  
(45) **Date of Patent:** **\*\* Jun. 18, 2013**

- (54) **CONTROL PANEL FOR A RANGE**
- (75) Inventors: **Richard W. Funnell, II**, Huntington Beach, CA (US); **Jonathan Grey**, Huntersville, NC (US); **Graham Sadtler**, Huntington Beach, CA (US)
- (73) Assignee: **BSH Home Appliances Corporation**, Irvine, CA (US)

D513,684 S *	1/2006	Jackovin et al.	.....	D7/406
D516,862 S *	3/2006	Grutzke et al.	.....	D7/405
D628,438 S *	12/2010	Knochner	.....	D7/405
D642,751 S *	8/2011	Jenkins et al.	.....	D32/3
D645,621 S *	9/2011	Jenkins et al.	.....	D32/3
D645,702 S *	9/2011	Baacke et al.	.....	D7/405
D645,703 S *	9/2011	Sadtler	.....	D7/405
D654,312 S *	2/2012	Benold	.....	D7/402
D668,109 S *	10/2012	Borjesson	.....	D7/406
D668,110 S *	10/2012	Borjesson	.....	D7/406
D668,112 S *	10/2012	Borjesson	.....	D7/406

(\*\*) Term: **14 Years**

\* cited by examiner

(21) Appl. No.: **29/425,868**

*Primary Examiner* — T. Chase Nelson

(22) Filed: **Jun. 28, 2012**

*Assistant Examiner* — Mark Cavanna

(74) *Attorney, Agent, or Firm* — James E. Howard; Andre Pallapies

**Related U.S. Application Data**

- (62) Division of application No. 29/409,181, filed on Dec. 21, 2011, now Pat. No. Des. 668,105, which is a division of application No. 29/389,416, filed on Apr. 12, 2011, now Pat. No. Des. 656,776.

(57) **CLAIM**

The ornamental design for a control panel for a range, as shown and described.

(51) **LOC (9) Cl.** ..... **07-02**

**DESCRIPTION**

(52) **U.S. Cl.**  
USPC ..... **D7/406**

(58) **Field of Classification Search**  
USPC ..... D7/340, 348, 350.1–350.4, 351, D7/402, 405–406; 219/756–758, 393, 395, 219/401; 126/19 M, 275 E; 99/348, 353, 99/367, 468; D32/3, 28  
See application file for complete search history.

FIG. 1 is a front perspective view of a control panel for a range according to our new ornamental design;  
FIG. 2 is a front view thereof;  
FIG. 3 is a top view thereof;  
FIG. 4 is a bottom view thereof;  
FIG. 5 is a right side view thereof; and,  
FIG. 6 is a left side view thereof.

The broken lines represent environment or structure of the kitchen appliance and do not form any part of the claimed design.

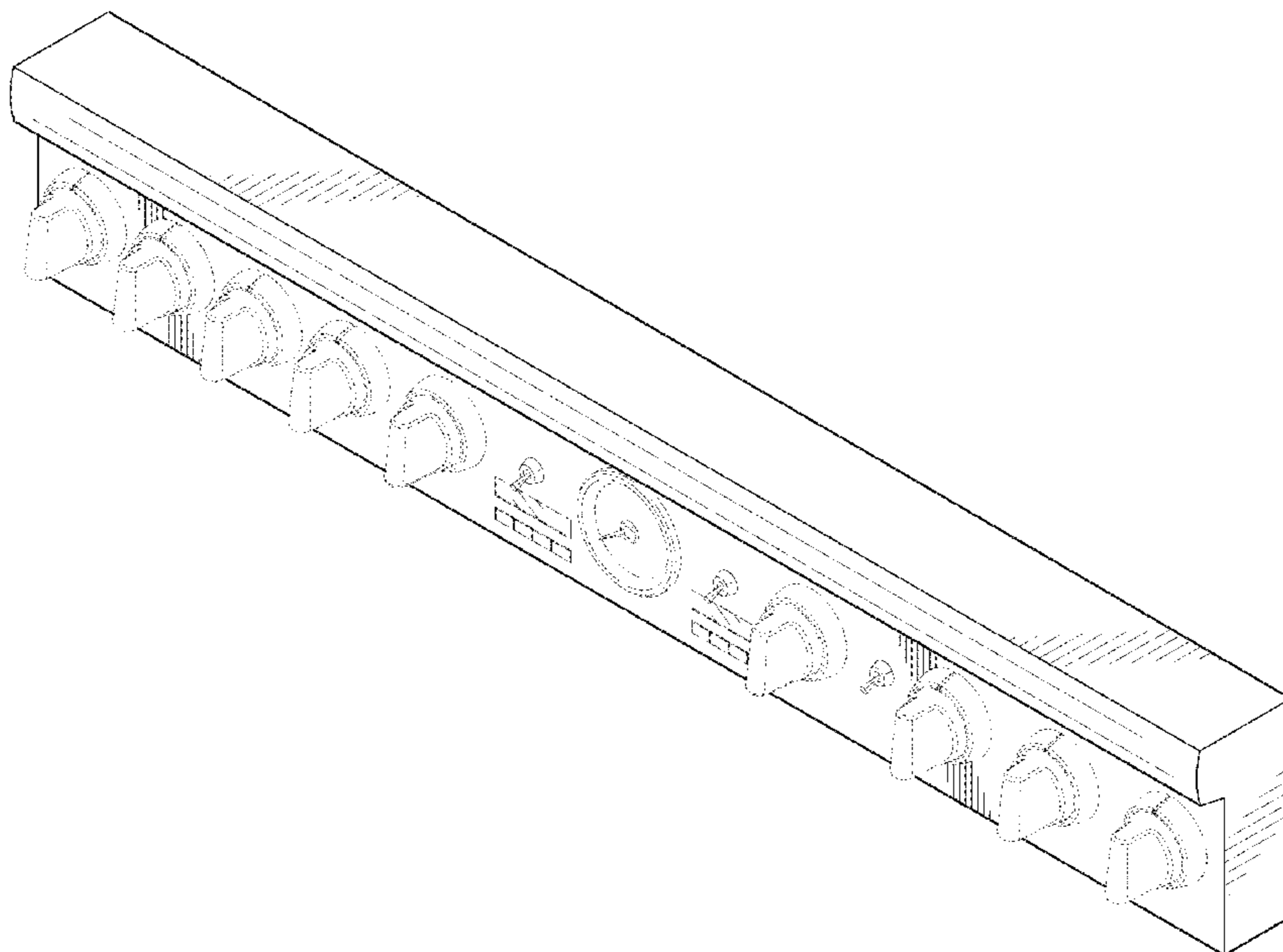
Throughout the drawings, various views may not be provided, as the components in these views are unornamented or the ornamentation in these views is simply unclaimed.

(56) **References Cited**

**U.S. PATENT DOCUMENTS**

D179,925 S *	3/1957	Titus	.....	D7/406
D201,334 S *	6/1965	Gault	.....	D7/406
D513,463 S *	1/2006	Wong et al.	.....	D7/406

**1 Claim, 3 Drawing Sheets**



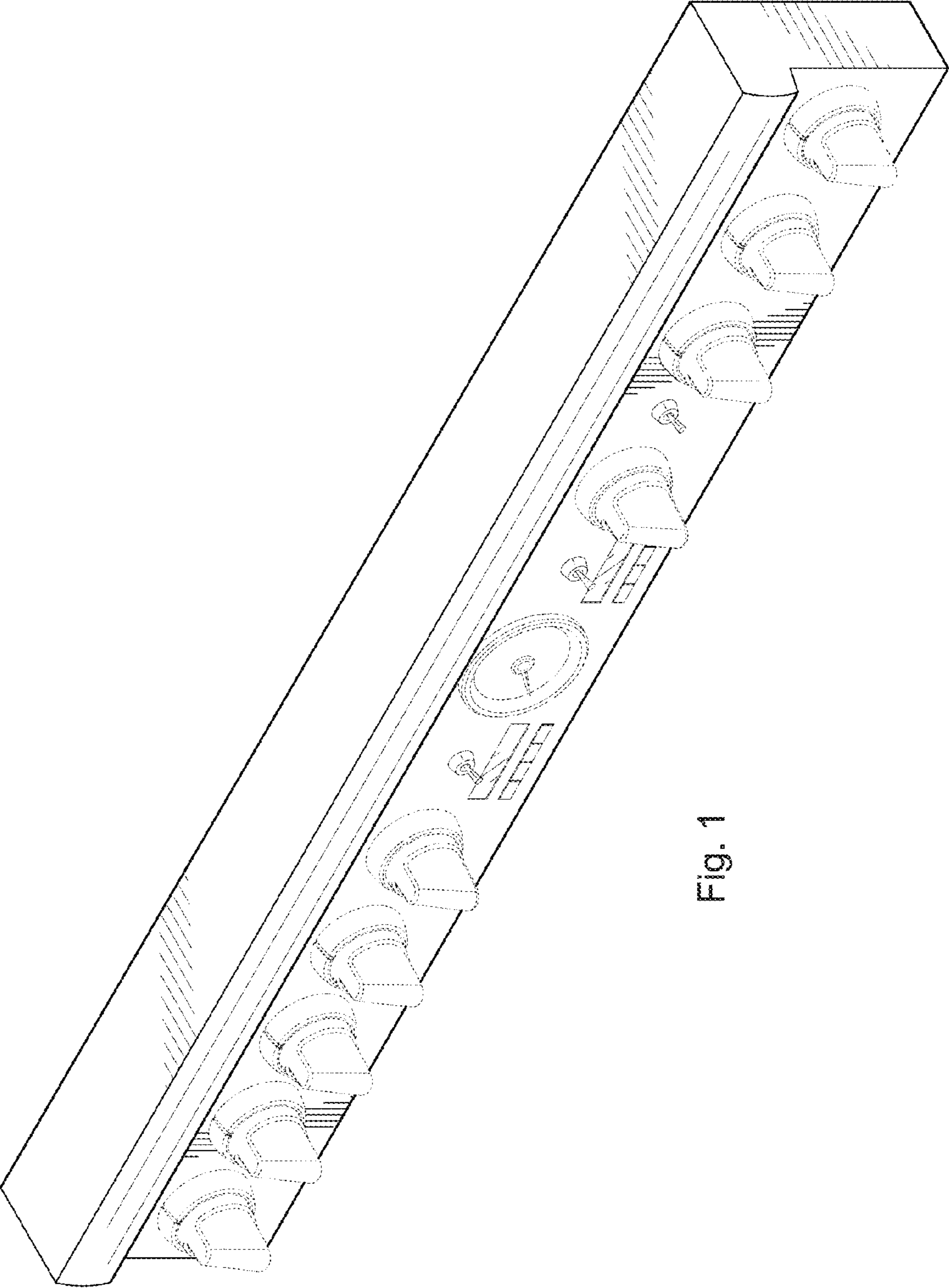


Fig. 1

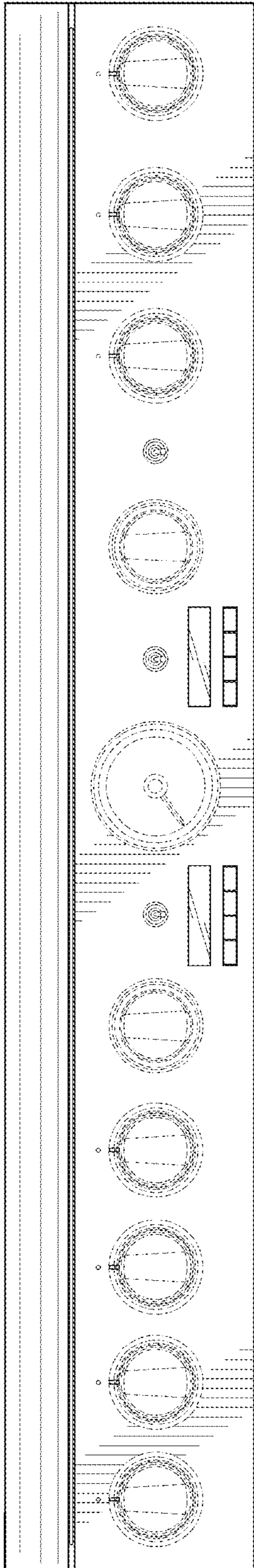


Fig. 2

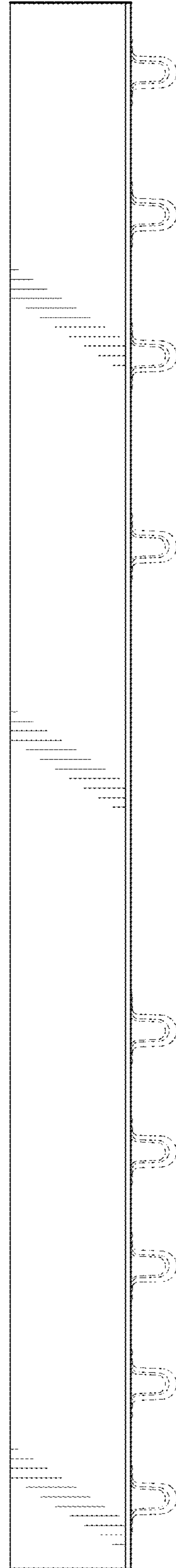


Fig. 3

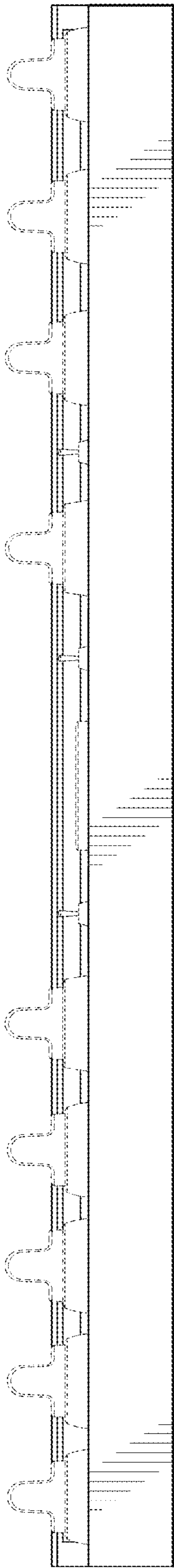


Fig. 4

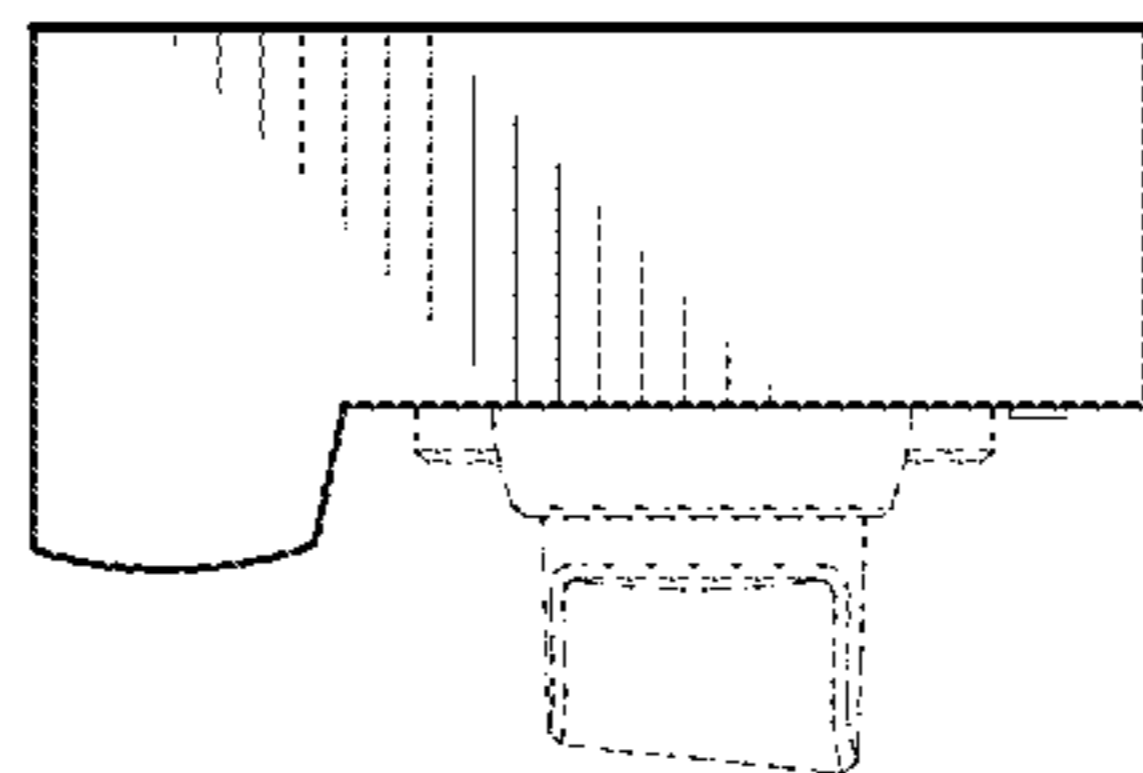


Fig. 5

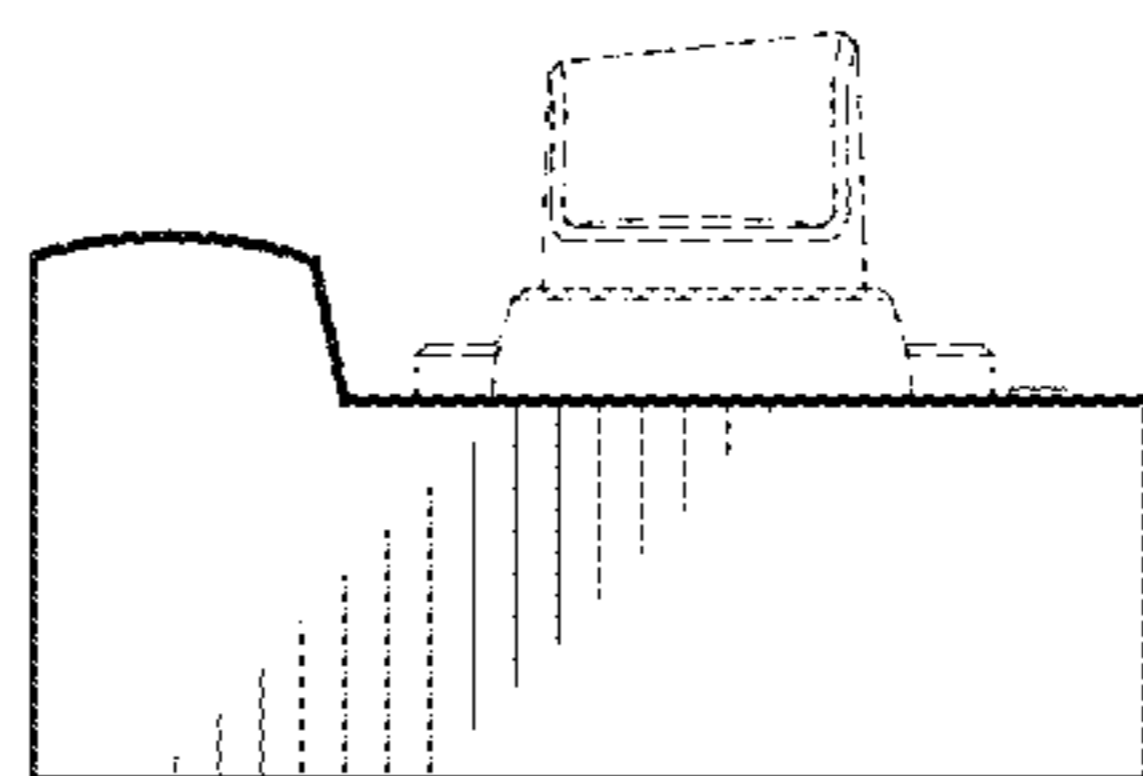


Fig. 6