



US00D684419S

(12) **United States Design Patent**
Cloutier et al.

(10) **Patent No.:** **US D684,419 S**
(45) **Date of Patent:** **** Jun. 18, 2013**

(54) **WIDE HANDLE BBQ WAVE MESH COOKWARE**

(56) **References Cited**

(71) Applicant: **Magellan Group Ltd.**, Blaine, WA (US)
(72) Inventors: **Andre Dean Cloutier**, Blaine, WA (US);
Edwin Cheong, Blaine, WA (US);
Adriana Collins, Blaine, WA (US);
Debra Lynne Sasken-Duff, Blaine, WA (US);
Michelle Richards, Blaine, WA (US);
Marie Thornton, Blaine, WA (US)

(73) Assignee: **Magellan Group Ltd.**, Blaine, WA (US)

(**) Term: **14 Years**

(21) Appl. No.: **29/436,630**

(22) Filed: **Nov. 7, 2012**

(51) **LOC (9) Cl.** **07-02**

(52) **U.S. Cl.**
USPC **D7/359; D7/354**

(58) **Field of Classification Search**
USPC D6/513, 629, 682.2; D7/323, 329-332,
D7/337-339, 346-347, 350.1-350.4, 353-367,
D7/387, 391-395, 402-409, 538, 542-543,
D7/600.1, 637, 675-676, 701, 708;
D9/451-456, 732, 758; 99/324-325, 330-332,
99/337-343, 366-369, 400-418, 422-426,
99/444, 483; 126/37 R, 41 R, 261, 275 R,
126/378.1, 390.1; 206/3, 223, 315.9, 499,
206/501-505, 507-511, 518, 778; 211/59.4,
211/74, 85.4; 217/26.5; 219/387, 400, 405,
219/429-442, 452.11, 620-624, 725, 730-735;
220/23.4, 314-315, 485, 759, 573.1-573.5,
220/592.16, 912; 426/438, 441

See application file for complete search history.

U.S. PATENT DOCUMENTS

2,750,028	A *	6/1956	Bode et al.	206/3
3,272,371	A *	9/1966	Weiner	206/511
3,372,812	A *	3/1968	Parcels	211/59.4
3,589,511	A *	6/1971	Britt	206/518
3,591,032	A *	7/1971	Baxter	217/26.5
4,660,727	A *	4/1987	Levine	211/74
D300,293	S *	3/1989	Casey	D7/387
D353,747	S *	12/1994	Lanier	D7/701
D374,582	S *	10/1996	Chu	D6/513
D396,408	S *	7/1998	Carver	D9/758
D416,165	S *	11/1999	Zemel	D7/359
D446,092	S *	8/2001	Cautereels	D7/701
D454,749	S *	3/2002	Georgiadis et al.	D6/629
D459,640	S *	7/2002	Chung et al.	D7/708
D479,786	S *	9/2003	Matheou	D7/701

(Continued)

Primary Examiner — Ricky Pham

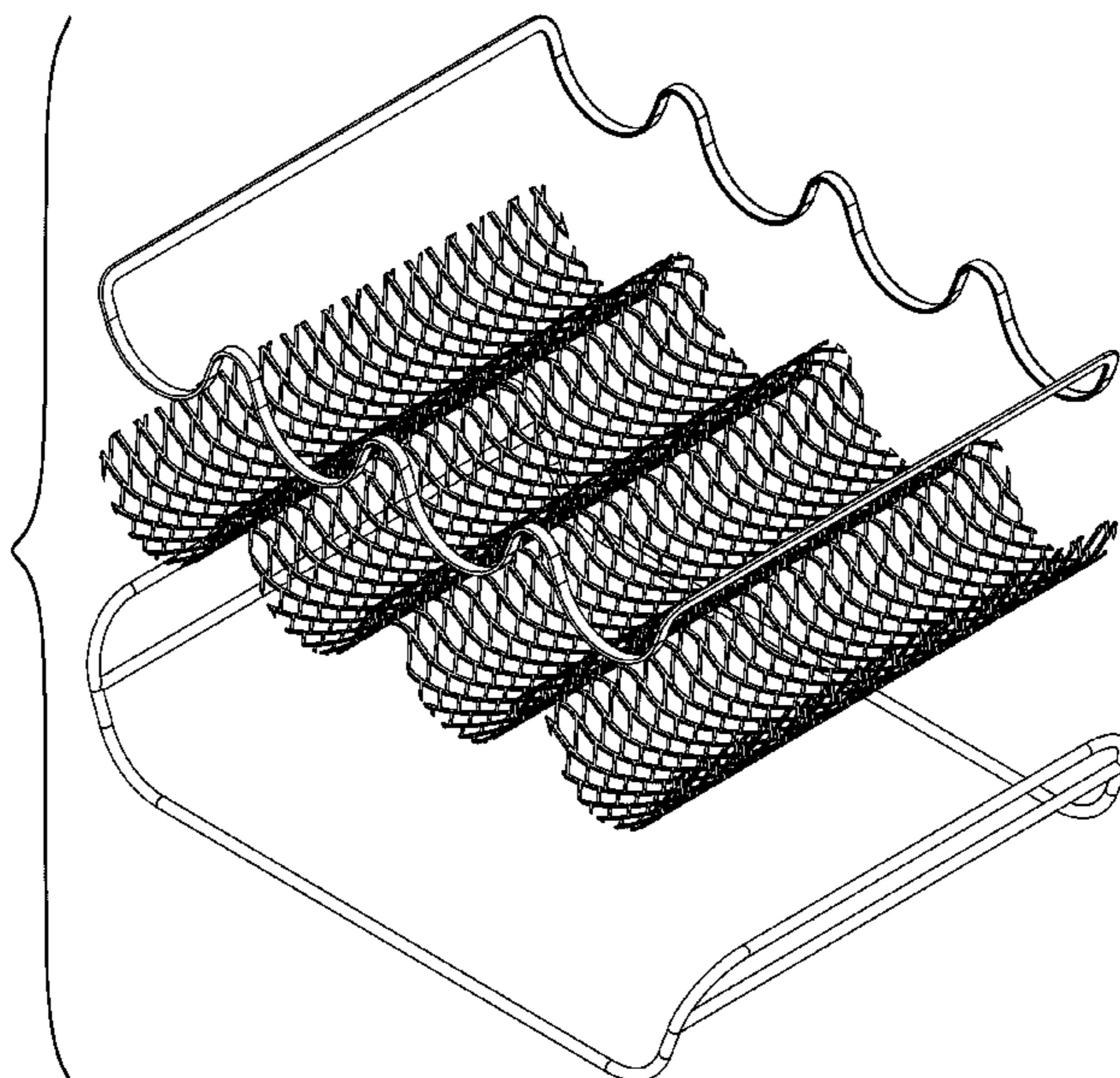
(57) **CLAIM**

The ornamental design for a wide handle BBQ wave mesh cookware, as shown and described.

DESCRIPTION

FIG. 1 is a top isometric view of the wide handle BBQ wave mesh cookware thereof.
FIG. 2 is a top view thereof.
FIG. 3 is a side view thereof with the opposing side view being a mirror image thereof.
FIG. 4 is a bottom view thereof.
FIG. 5 is a front view with the opposing rear view being a mirror image thereof; and,
FIG. 6 is an exploded view of the components shown for clarity of illustration.

1 Claim, 4 Drawing Sheets



US D684,419 S

Page 2

U.S. PATENT DOCUMENTS

6,648,138	B1 *	11/2003	Kelly	206/315.9	7,984,806	B2 *	7/2011	Matheou	206/499
6,648,154	B2 *	11/2003	Awalt	211/85.4	D644,491	S *	9/2011	Snider	D7/600.1
D569,655	S *	5/2008	Williams	D6/449	D653,497	S *	2/2012	Cloutier et al.	D7/360
D621,655	S *	8/2010	Zemel	D7/409	D658,427	S *	5/2012	Cloutier et al.	D7/360
D639,603	S *	6/2011	Degnan	D7/360	D667,278	S *	9/2012	Murphy	D7/637
D640,501	S *	6/2011	Zemel	D7/409						

* cited by examiner

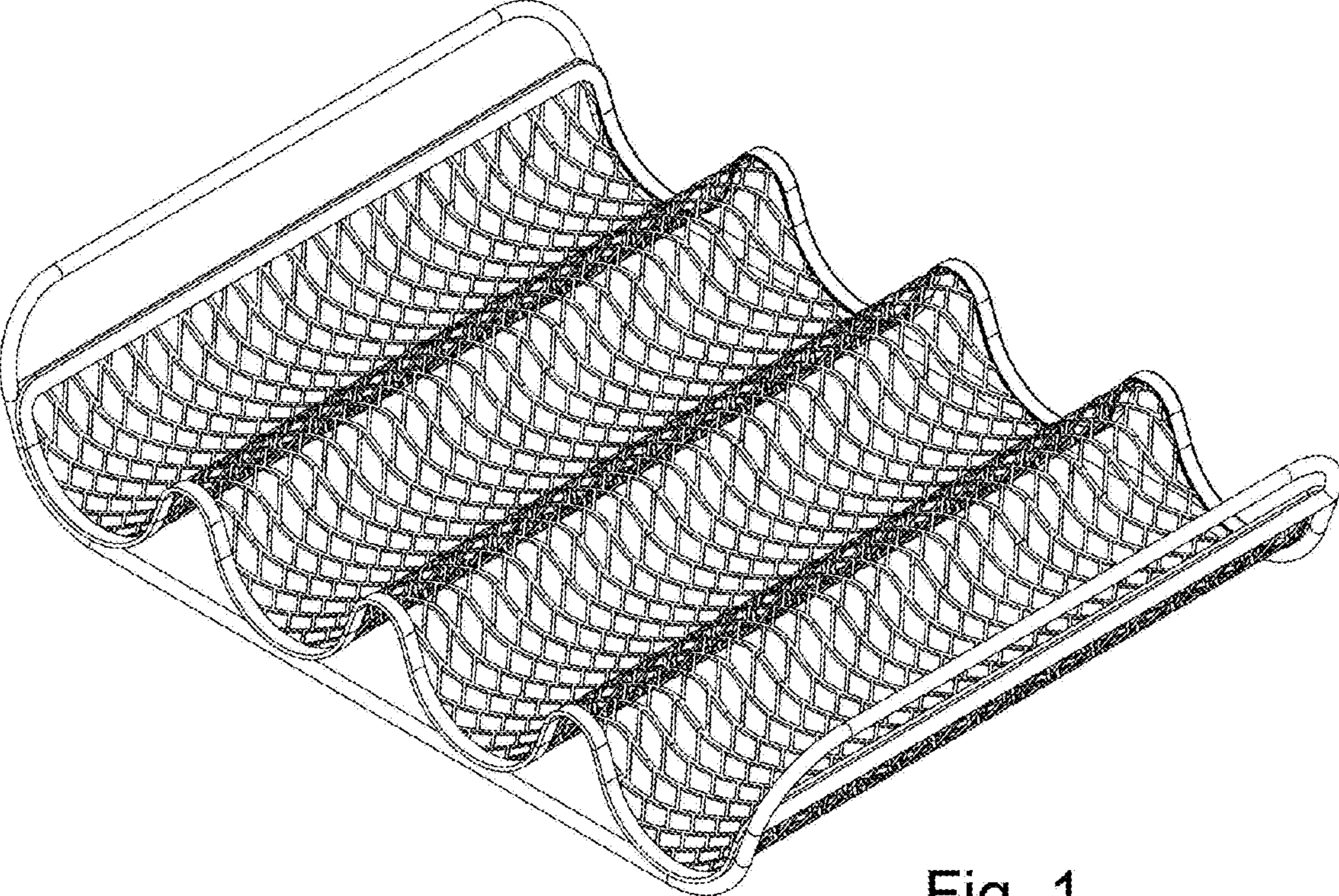


Fig. 1

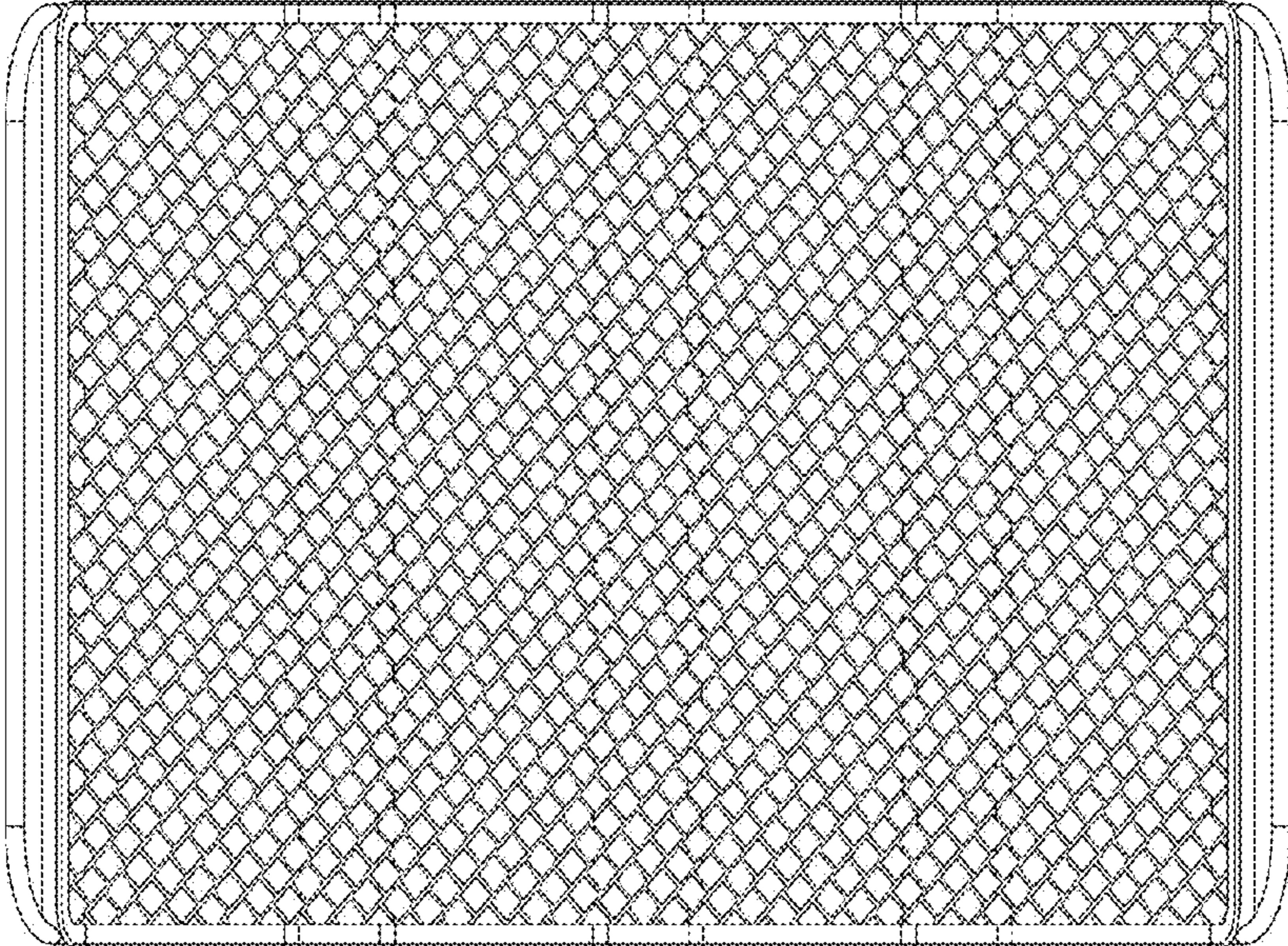


Fig. 2

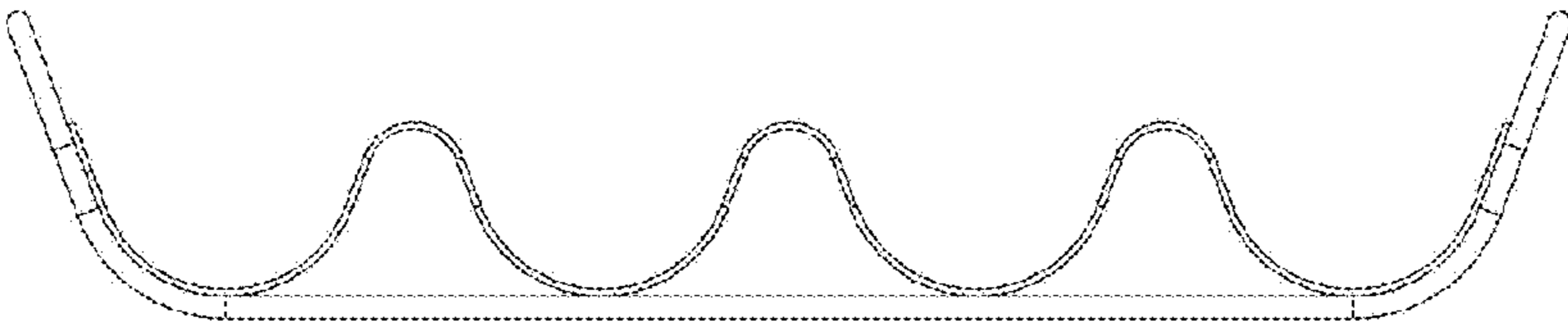


Fig. 3

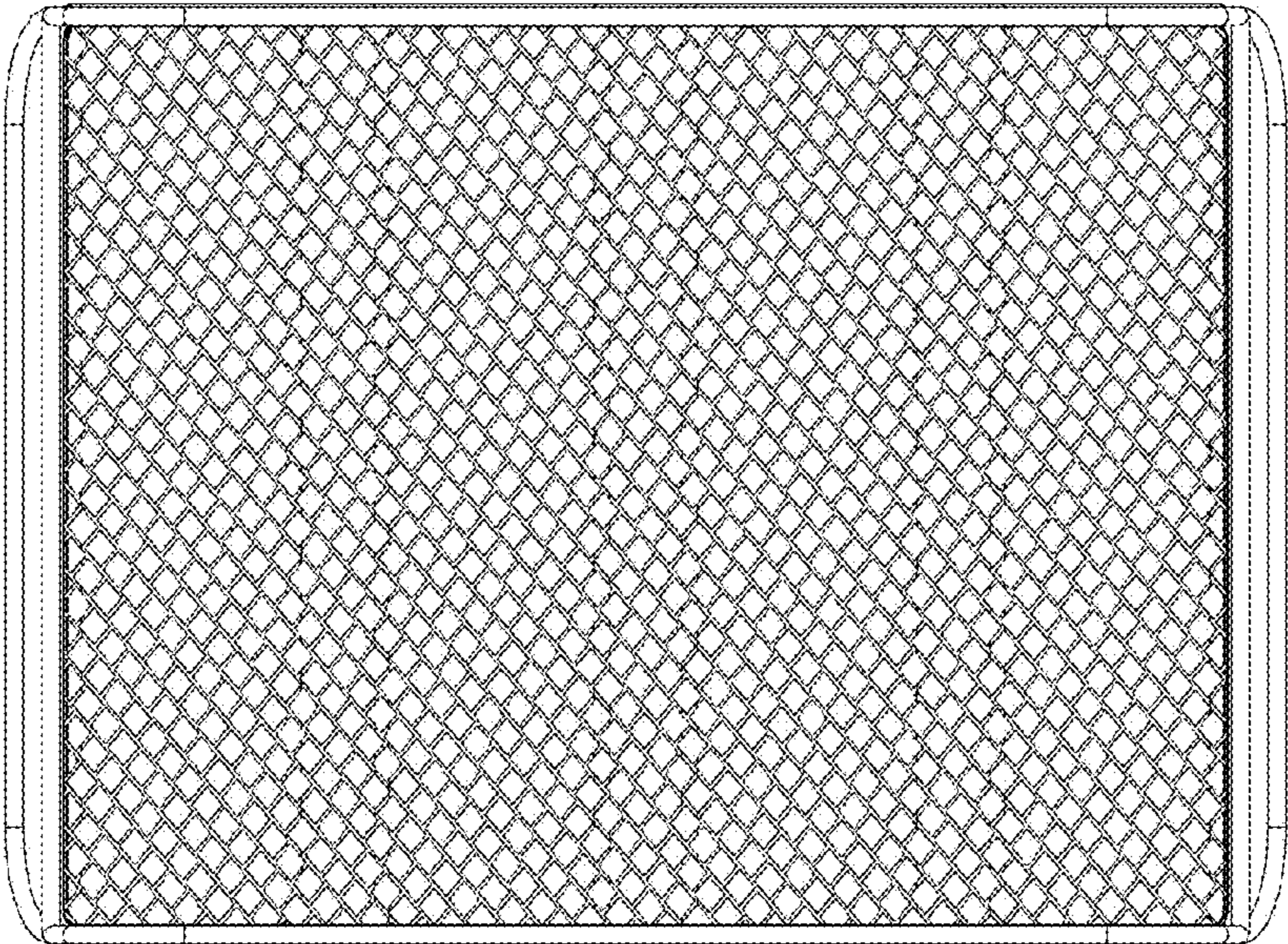


Fig. 4

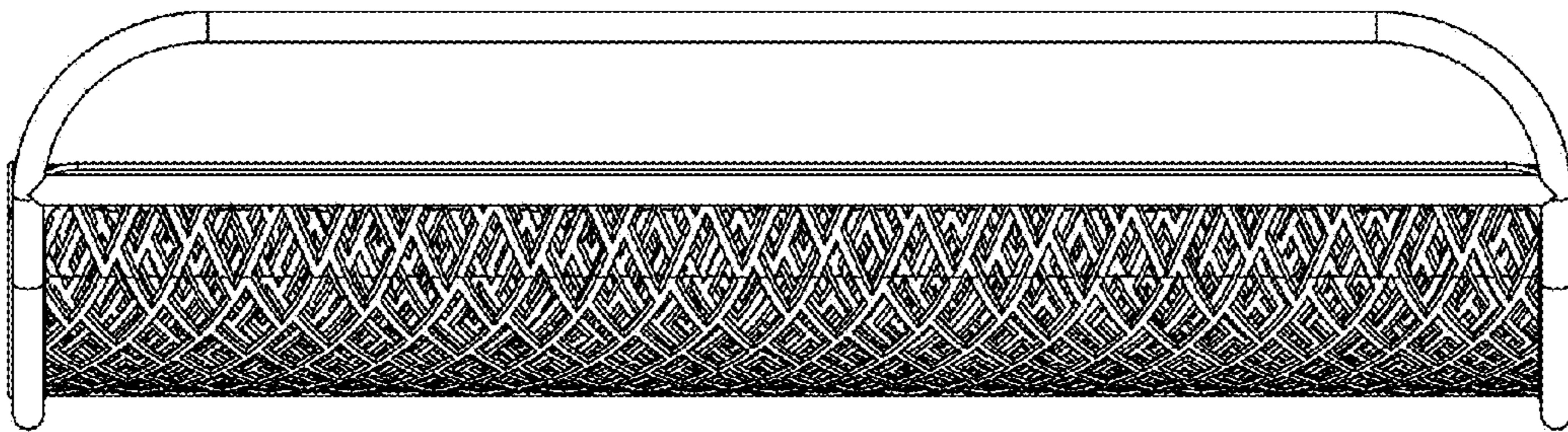


Fig. 5

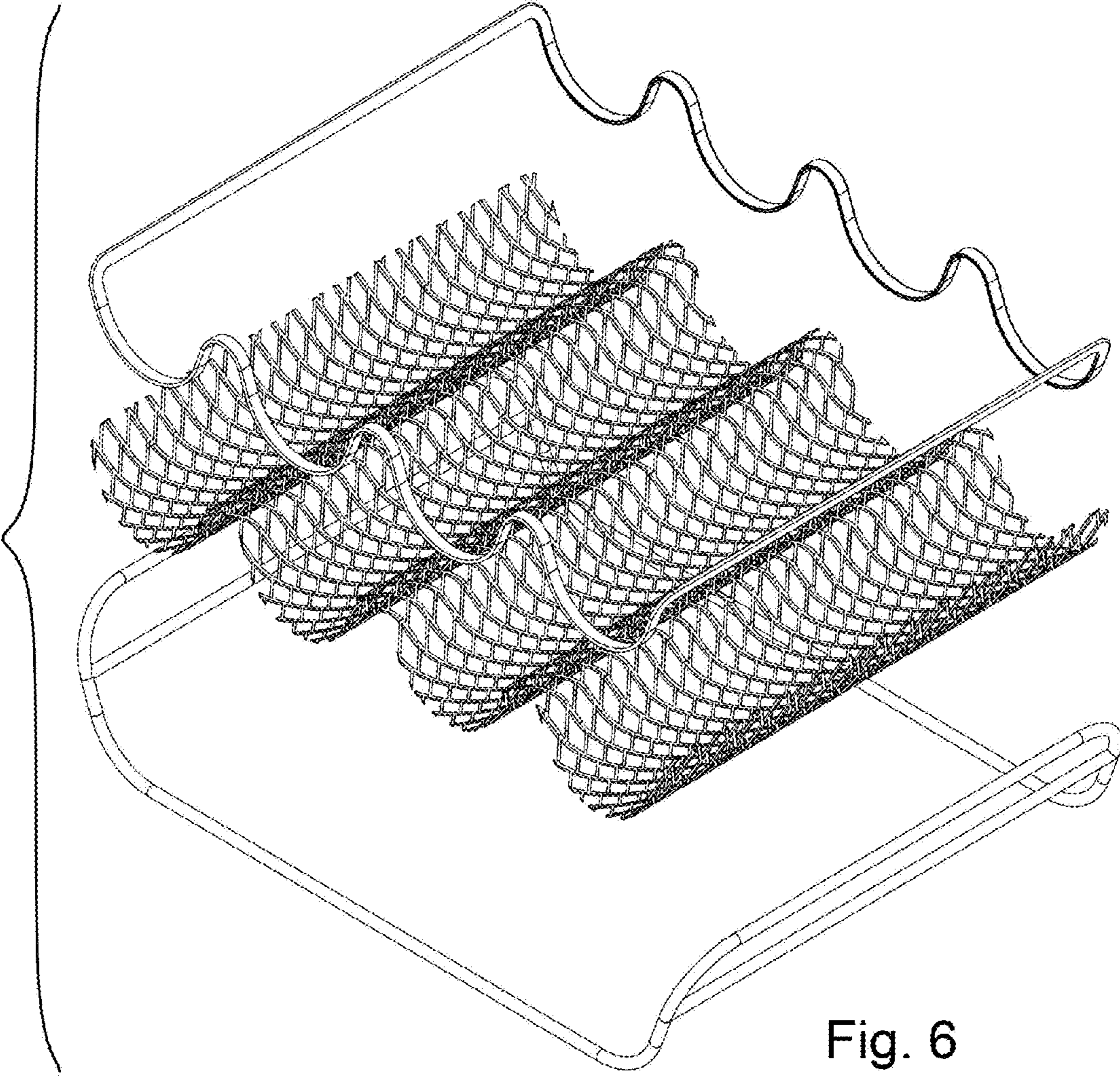


Fig. 6