



US00D684416S

(12) **United States Design Patent**  
**Keiser**

(10) **Patent No.:** **US D684,416 S**  
(45) **Date of Patent:** **\*\* Jun. 18, 2013**

- (54) **OUTDOOR COOKING GRILL**
- (75) Inventor: **Douglas Lee Keiser**, Bentonville, AR (US)
- (73) Assignee: **Royal Oak Enterprises, LLC**, Roswell, GA (US)
- (\*\*) Term: **14 Years**
- (21) Appl. No.: **29/422,695**
- (22) Filed: **May 23, 2012**
- (51) **LOC (9) Cl.** ..... **07-02**
- (52) **U.S. Cl.**  
USPC ..... **D7/334**
- (58) **Field of Classification Search**  
USPC ..... D7/332, 334-337, 402-404, 406, D7/409; 126/25 R, 41 R, 38, 9 R, 9 A, 9 B, 126/40, 50, 37 R, 304 R, 305; 99/450, 481, 99/482; 248/163.1, 440.1, 188.1, 127; 108/157.13  
See application file for complete search history.

6,699,036	B2	3/2004	Schlosser et al.	
D499,600	S *	12/2004	Bossler .....	D7/335
6,976,485	B2	12/2005	Johnson et al.	
7,438,071	B2	10/2008	Johnson et al.	
D614,435	S *	4/2010	Lin .....	D7/334
D618,486	S *	6/2010	Bruno et al. ....	D7/334
D656,774	S *	4/2012	Lin .....	D7/334
D657,181	S *	4/2012	Chung .....	D7/334
2002/0189603	A1	12/2002	Hsu	
2003/0000516	A1	1/2003	Hsu et al.	
2003/0024523	A1	2/2003	Ching-Hui	
2003/0037781	A1*	2/2003	Wu .....	126/25 R
2003/0106546	A1*	6/2003	Wu .....	126/41 R
2004/0025859	A1	2/2004	Schulte	
2004/0118393	A1	6/2004	Schulte	
2011/0079209	A1*	4/2011	Bruno et al. ....	126/25 R

\* cited by examiner

*Primary Examiner* — Ruth McInroy

(74) *Attorney, Agent, or Firm* — Thomas/Horstemeyer, LLP

(57) **CLAIM**

The ornamental design for an outdoor cooking grill, as shown and described.

**DESCRIPTION**

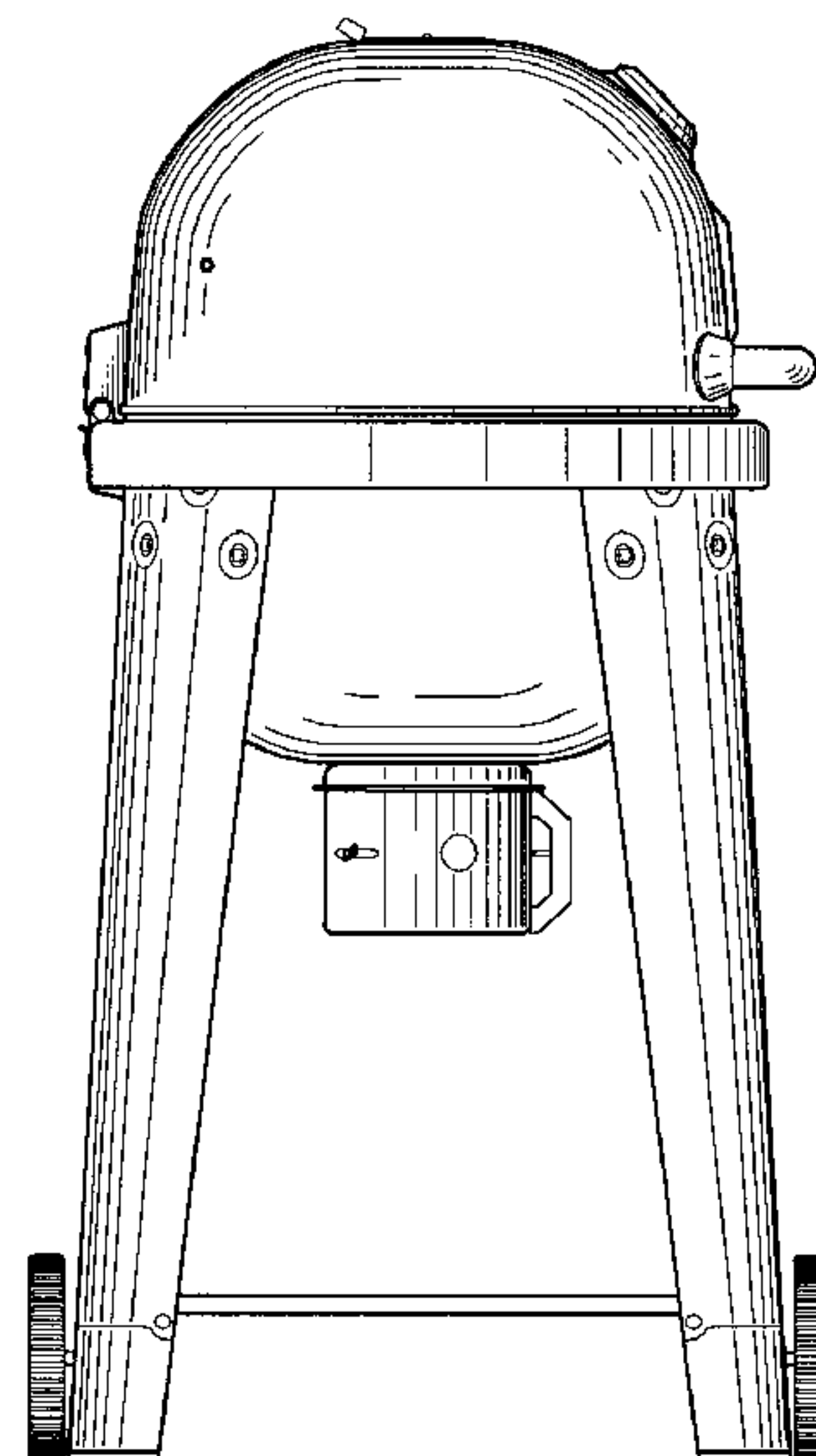
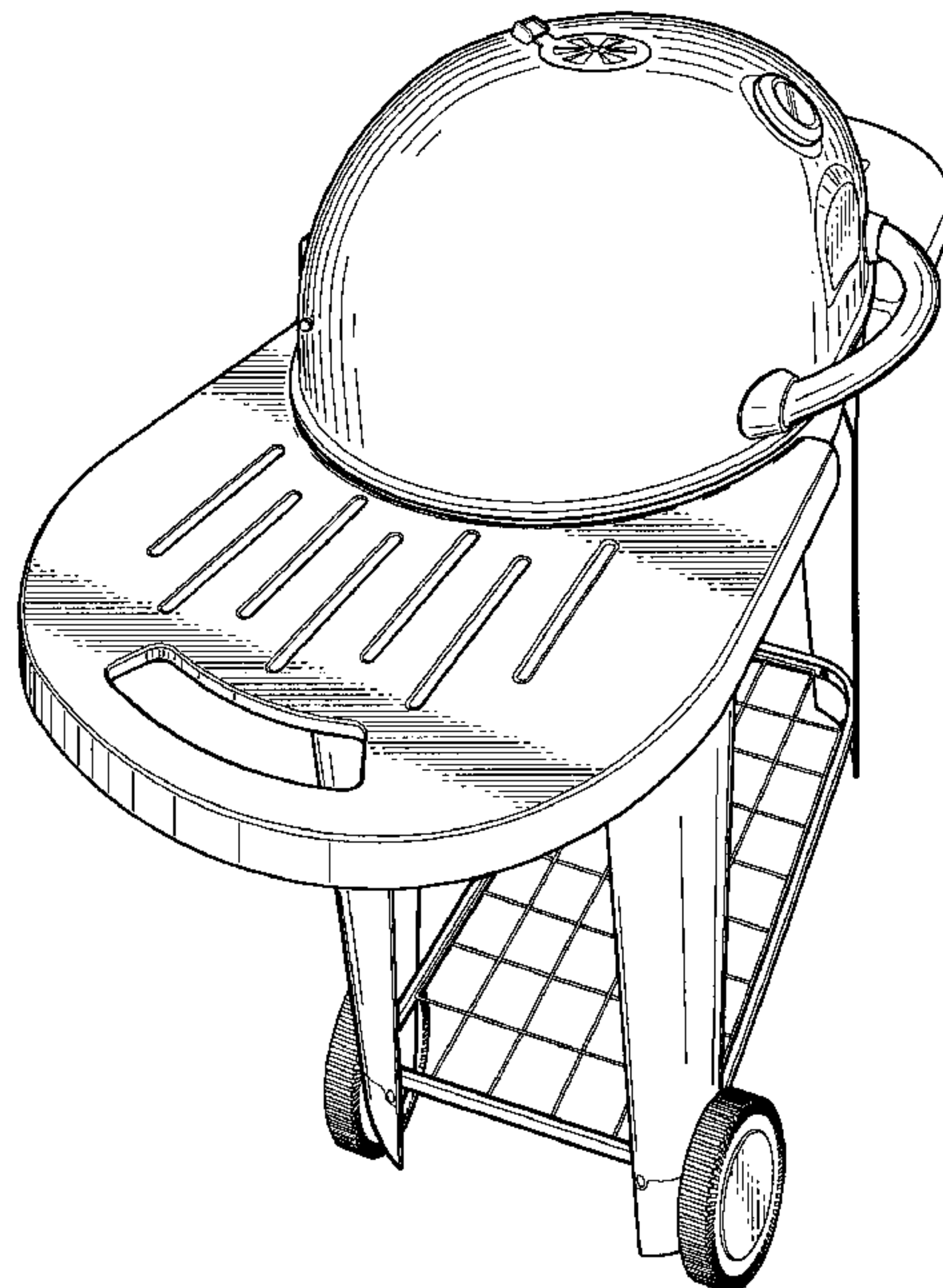
FIG. 1 is a perspective view of the outdoor cooking grill, showing the top, left side and front thereof;  
 FIG. 2 is a perspective view, showing the back, right side and top thereof;  
 FIG. 3 is an elevational view of the left side thereof;  
 FIG. 4 is a front elevational view thereof;  
 FIG. 5 is an elevational view of the right side thereof;  
 FIG. 6 is a rear elevational view thereof;  
 FIG. 7 is a top view thereof; and,  
 FIG. 8 is a bottom view thereof.

**1 Claim, 8 Drawing Sheets**

(56) **References Cited**

U.S. PATENT DOCUMENTS

D139,850	S	12/1944	Frenning	
D322,909	S *	1/1992	Parent et al. ....	D7/334
5,165,385	A	11/1992	Doolittle et al.	
D351,308	S *	10/1994	Pai .....	D7/334
D358,059	S *	5/1995	Peterson et al. ....	D7/334
5,471,916	A	12/1995	Bird et al.	
D459,142	S *	6/2002	Wu .....	D7/334
D459,938	S *	7/2002	Pai .....	D7/334
D460,658	S *	7/2002	Wu .....	D7/334
D472,422	S *	4/2003	Pai .....	D7/334
D476,843	S *	7/2003	Pai .....	D7/332
D485,116	S *	1/2004	Kwok .....	D7/334



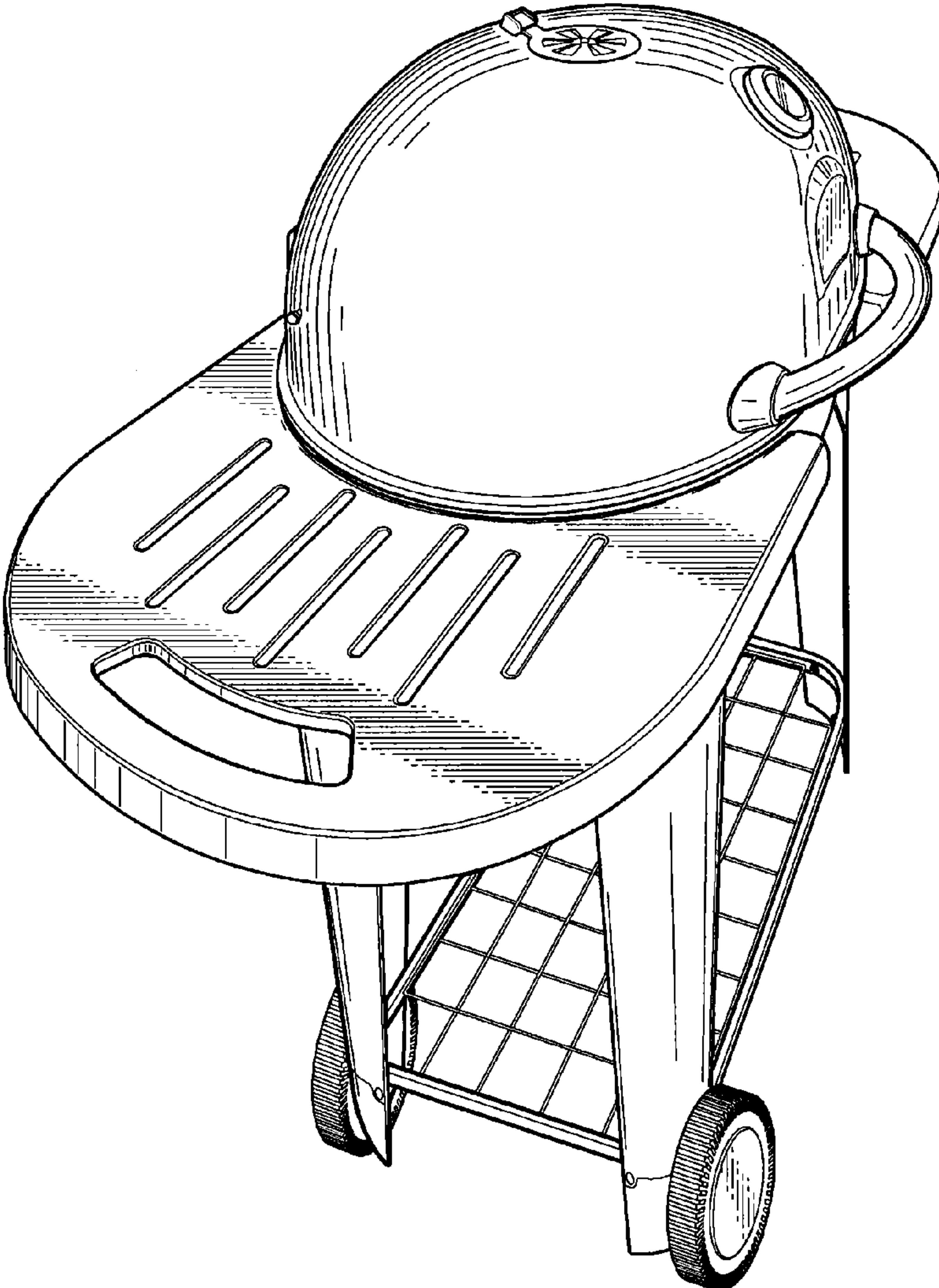


FIG. 1

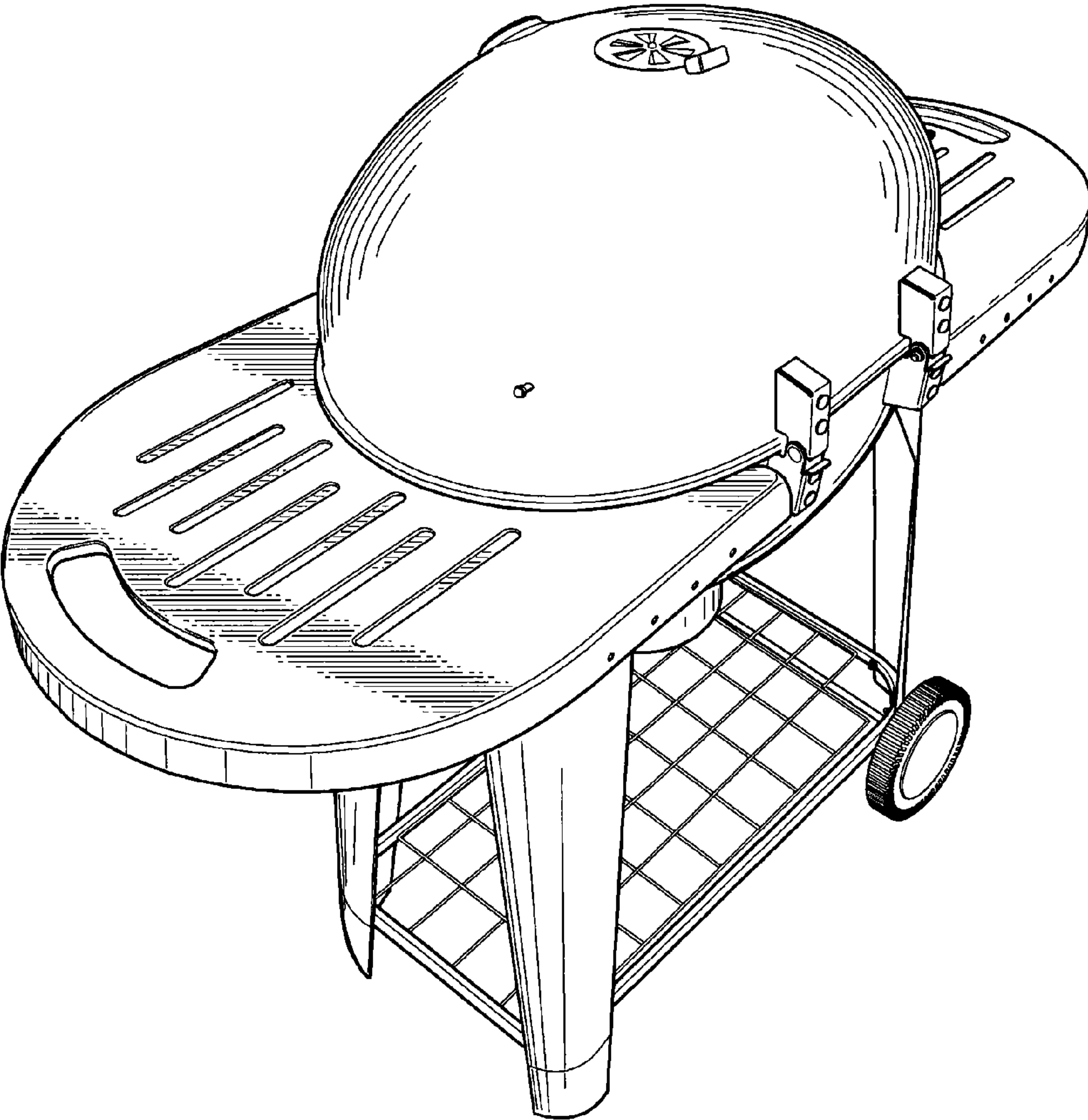
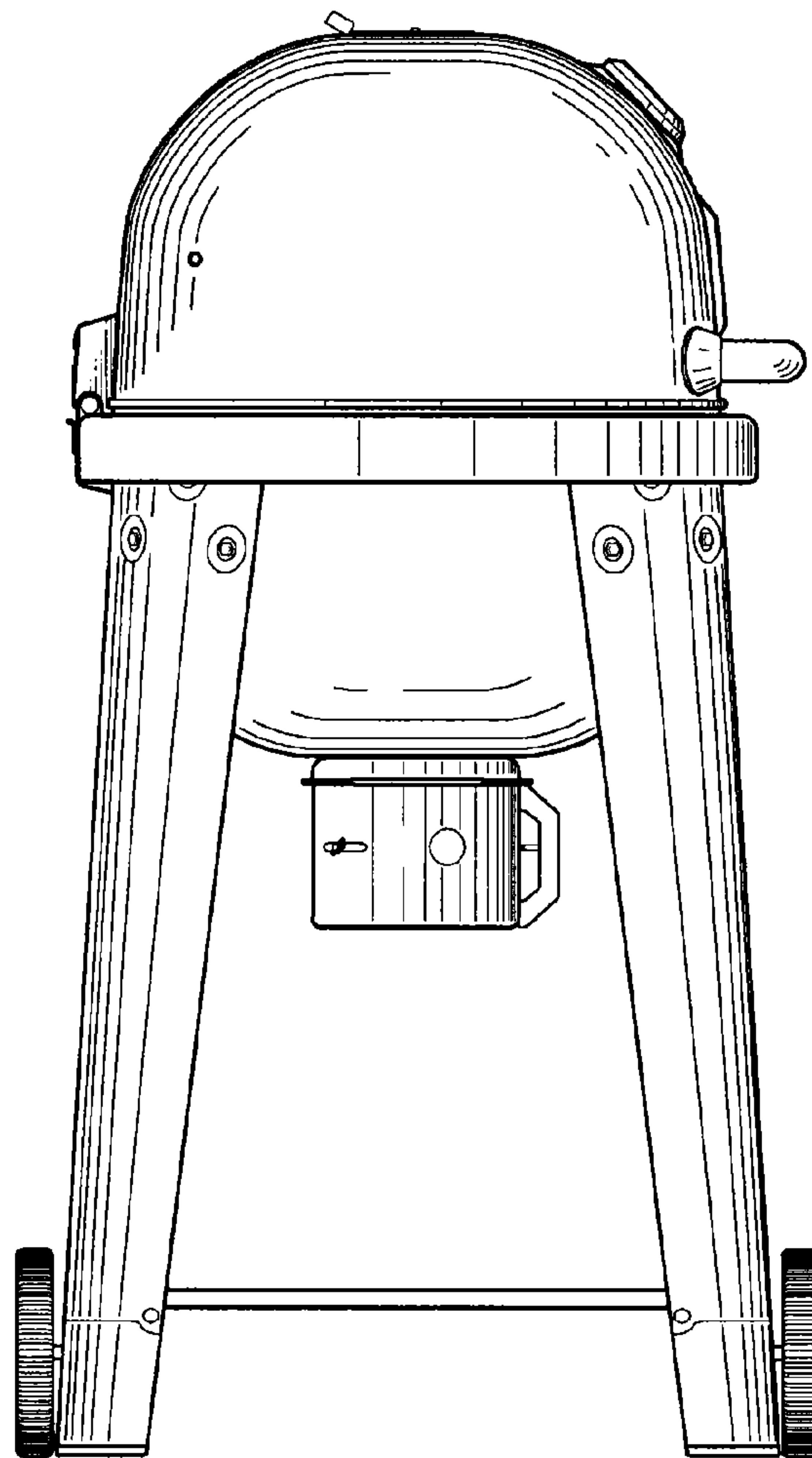


FIG. 2



**FIG. 3**



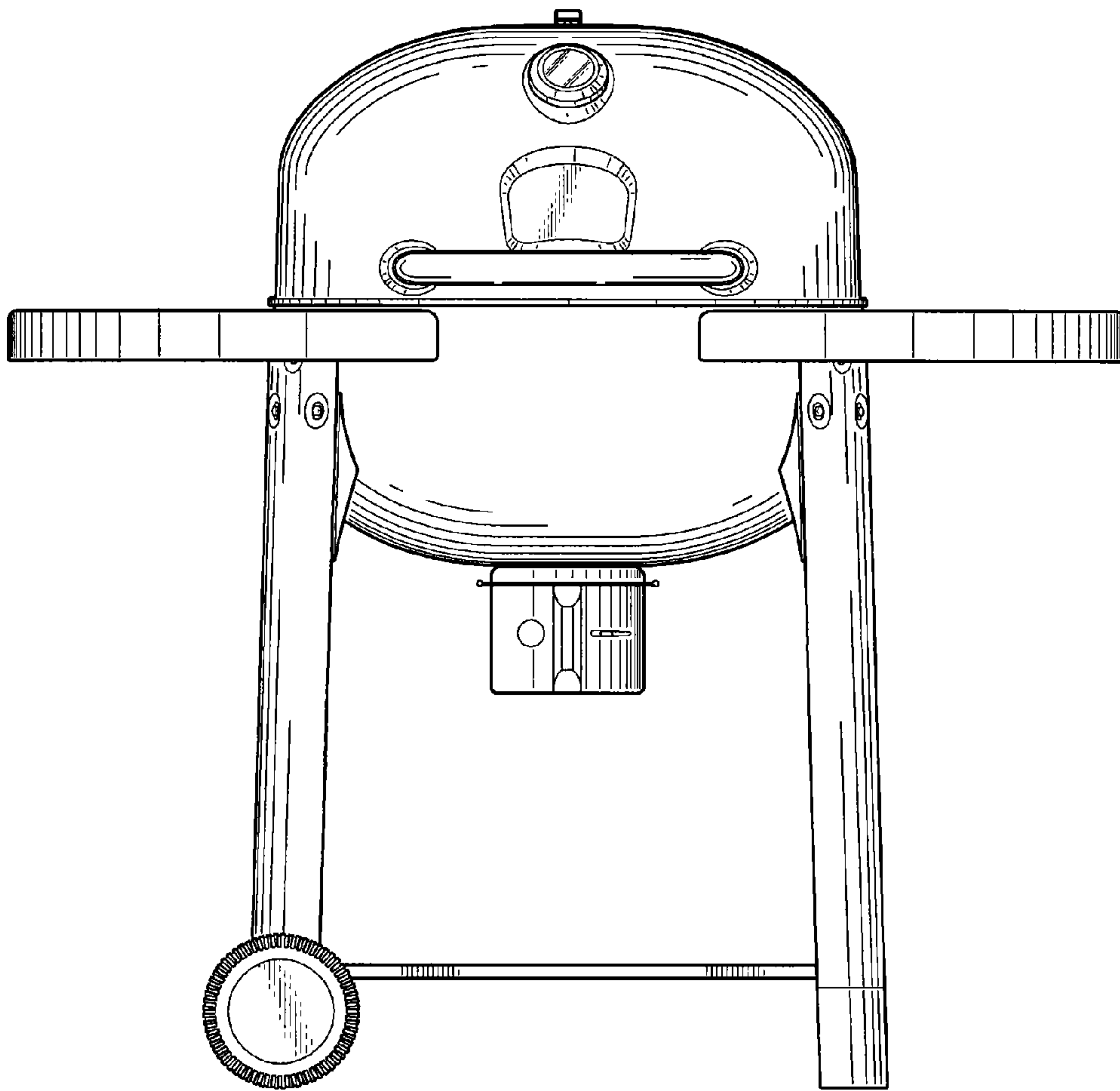


FIG. 4

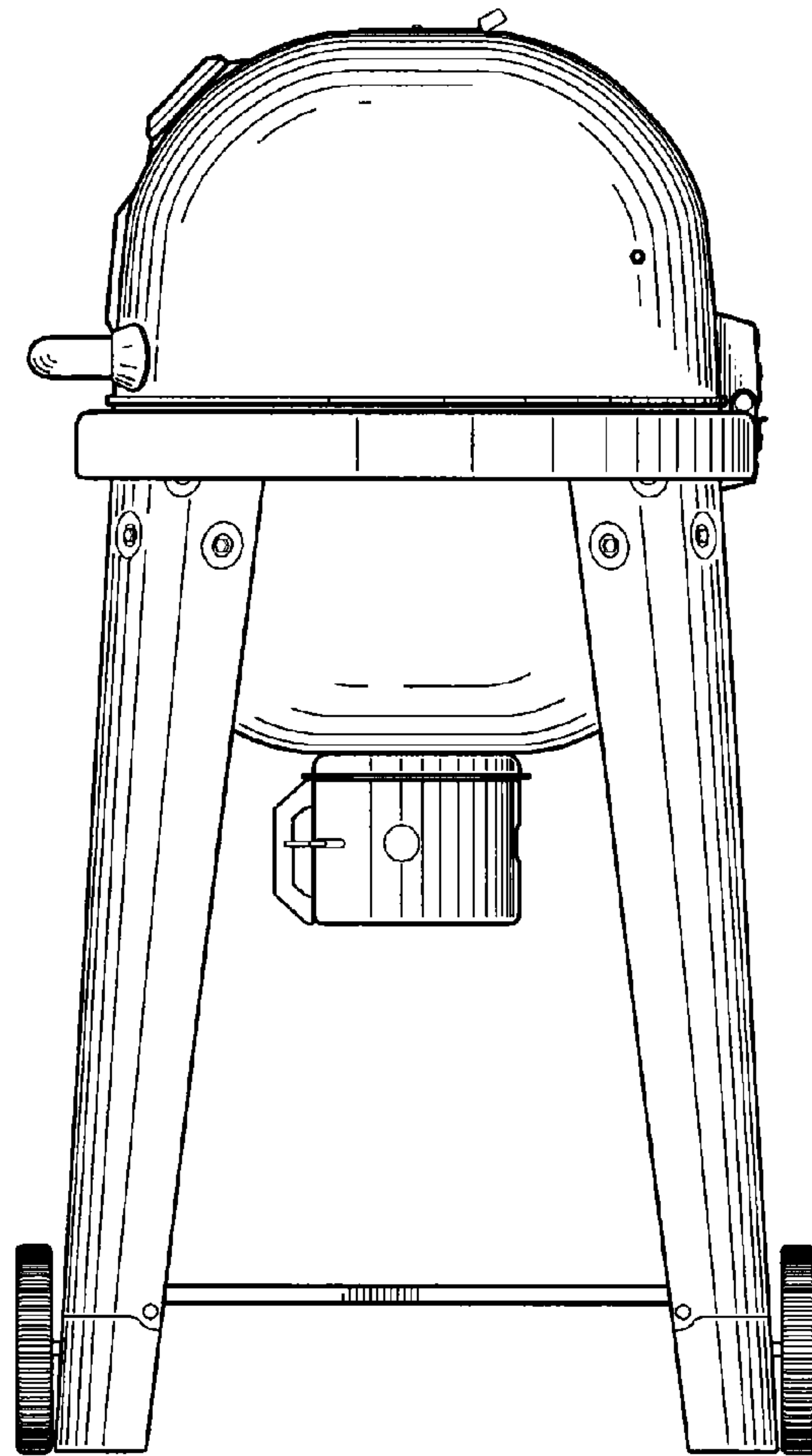


FIG. 5

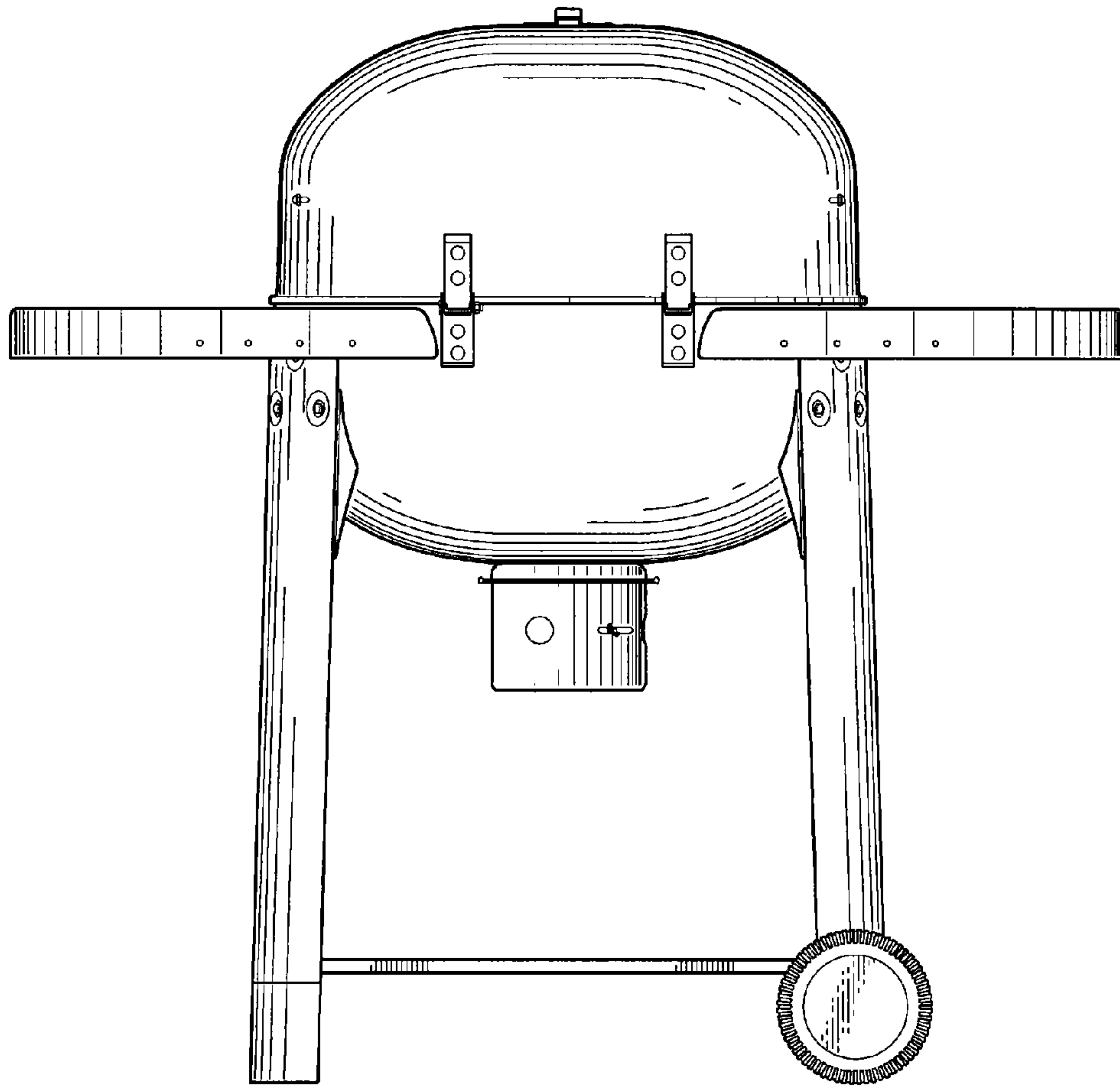


FIG. 6

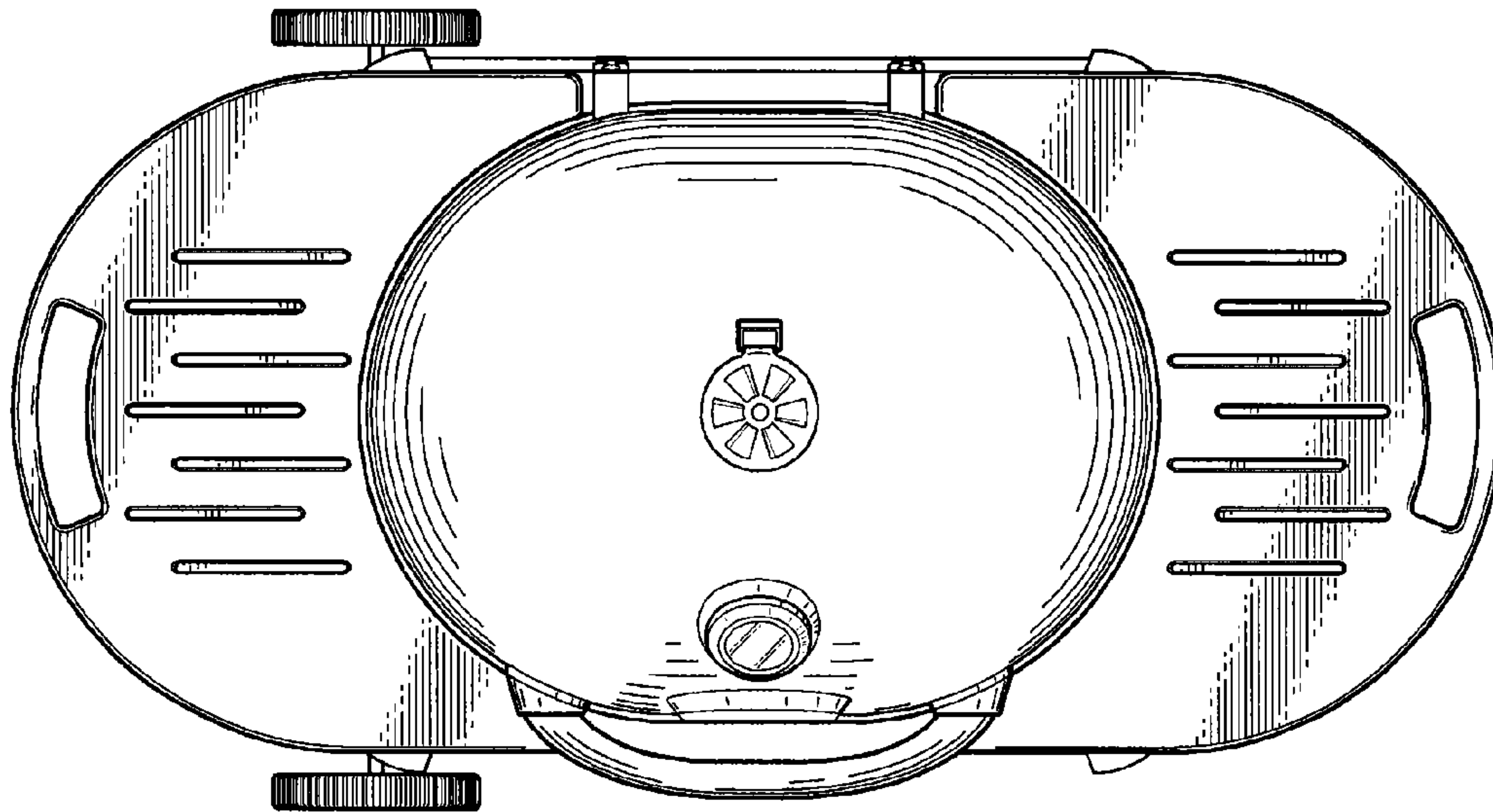
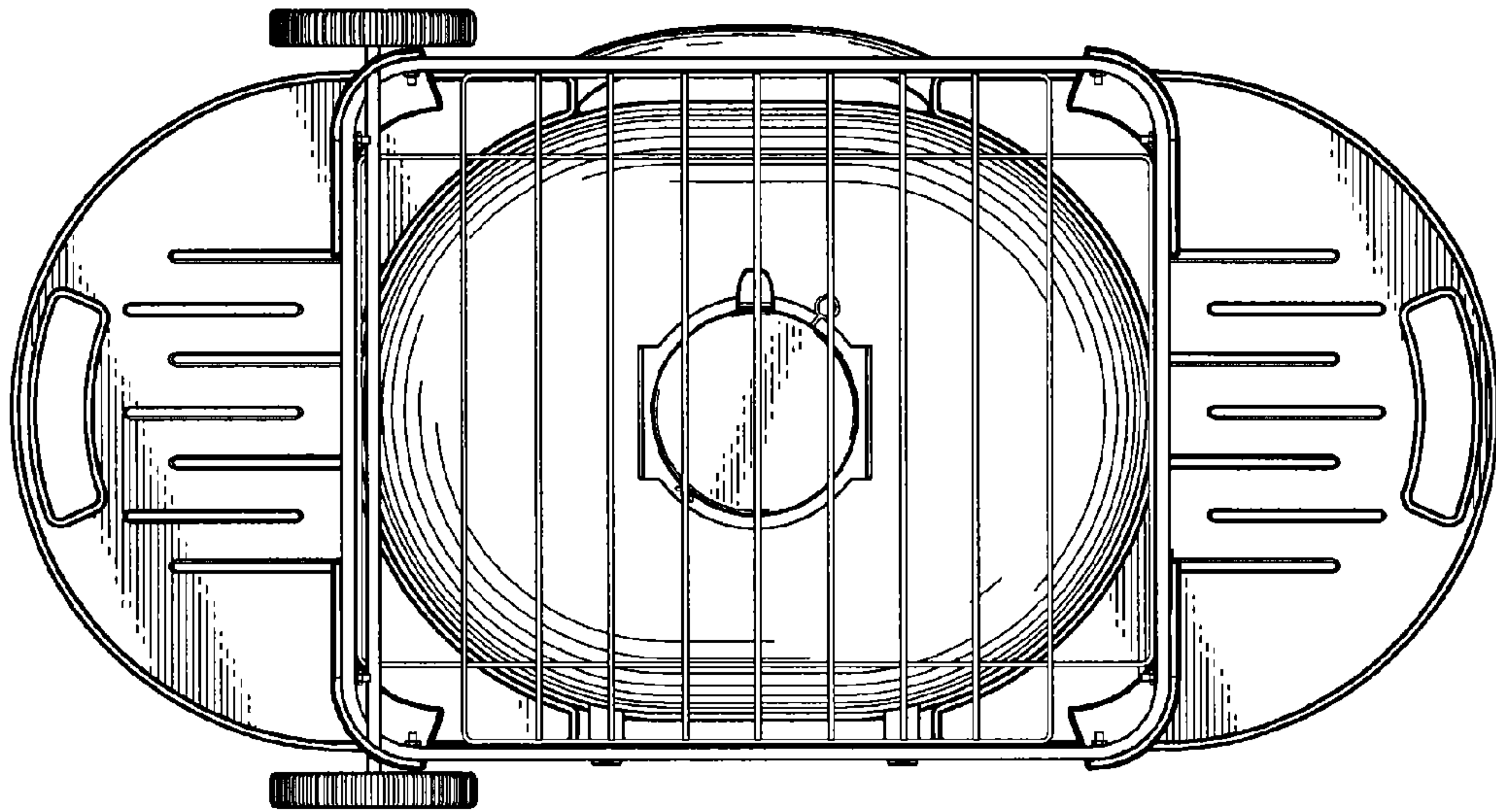


FIG. 7





**FIG. 8**