



US00D684413S

(12) **United States Design Patent**
Schmitt

(10) **Patent No.:** **US D684,413 S**
(45) **Date of Patent:** **** Jun. 18, 2013**

- (54) **TABLE**
- (75) Inventor: **Jack Schmitt**, Mission Viejo, CA (US)
- (73) Assignee: **Amini Innovation Corporation**, Pico Rivera, CA (US)
- (**) Term: **14 Years**
- (21) Appl. No.: **29/427,287**
- (22) Filed: **Jul. 16, 2012**
- (51) **LOC (9) Cl.** **03-03**
- (52) **U.S. Cl.**
USPC **D6/691.2**
- (58) **Field of Classification Search**
USPC D6/691, 691.1, 691.2, 691.3, 691.8,
D6/692.1; 108/150, 153.1, 156, 161; 248/188,
248/188.1, 188.7
See application file for complete search history.

- D388,980 S 1/1998 Mohundro
- D393,964 S 5/1998 Bergelin
- D403,900 S 1/1999 Hutton
- D412,632 S 8/1999 Walters, III et al.
- D423,255 S 4/2000 O'Hare
- D425,733 S 5/2000 O'Hare
- D431,131 S 9/2000 Wistehuff, Sr.
- D434,583 S 12/2000 Hutton
- D438,032 S 2/2001 Cain
- D445,607 S 7/2001 O'Hare et al.
- D448,213 S 9/2001 O'Hare et al.
- D448,951 S 10/2001 O'Hare et al.
- D448,952 S 10/2001 O'Hare et al.
- D449,186 S 10/2001 O'Hare et al.
- D455,299 S 4/2002 Vaaler
- D455,579 S 4/2002 Vaaler
- 6,363,866 B1 4/2002 Schwartz
- D457,357 S 5/2002 Vaaler
- D457,759 S 5/2002 O'Hare et al.

(Continued)

OTHER PUBLICATIONS

Ethan Allen Circular, Legacy Collection Dining Table, p. 5, 1996.

(Continued)

(56) **References Cited**

U.S. PATENT DOCUMENTS

- D34,386 S 4/1924 Arons
- D78,457 S 5/1929 Ekvall
- D79,651 S 10/1929 Gommesen
- D114,758 S * 5/1939 Hartman D6/477
- D161,212 S 12/1950 Scalera
- D179,301 S 11/1956 Jones et al.
- D182,911 S 5/1958 Lubberts et al.
- 4,878,439 A 11/1989 Samson
- D323,086 S 1/1992 Arcese et al.
- D328,990 S 9/1992 Kwiescinski
- D344,421 S 2/1994 Keller
- D346,713 S 5/1994 Ferguson
- D350,446 S 9/1994 Sauvage
- D370,581 S * 6/1996 Loznikov D6/495
- D375,217 S 11/1996 Rehmert
- D375,853 S 11/1996 Lee
- D380,315 S 7/1997 Bergelin
- D386,021 S 11/1997 Pratt

Primary Examiner — Janice Seeger

(74) *Attorney, Agent, or Firm* — Cislo & Thomas, LLP

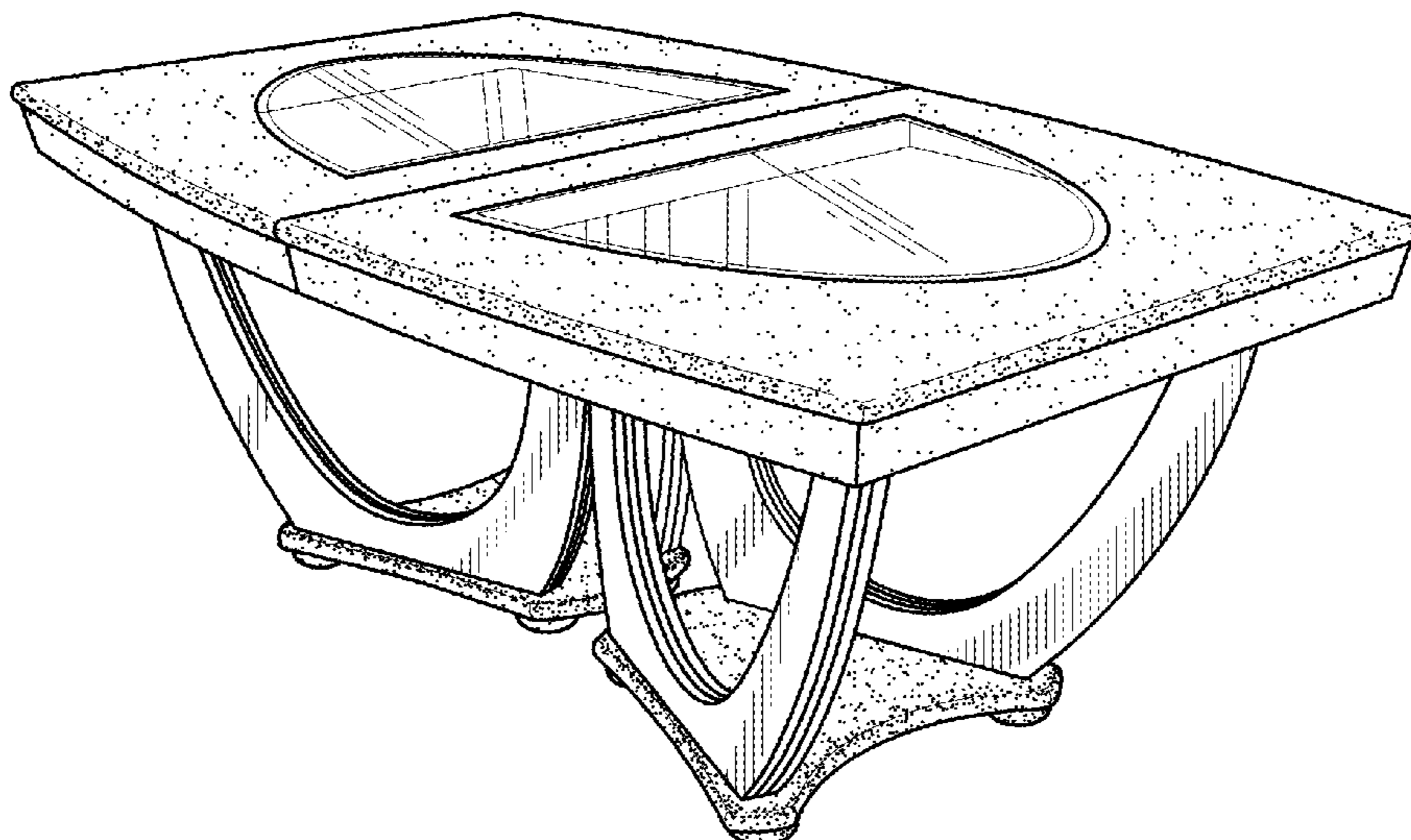
(57) **CLAIM**

I claim the ornamental design for a table, as shown and described.

DESCRIPTION

FIG. 1 is a perspective view of my table;
FIG. 2 is a top view thereof;
FIG. 3 is a right side view, the left side (not shown) is a mirror image thereof; and,
FIG. 4 is a front view, the rear (not shown) is a mirror image, of my table.

1 Claim, 3 Drawing Sheets



US D684,413 S

Page 2

U.S. PATENT DOCUMENTS

D458,055 S 6/2002 Vaaler
D460,881 S 7/2002 Stanton
D462,855 S 9/2002 McDaniel et al.
D464,828 S 10/2002 Vaaler
D469,637 S * 2/2003 O'Hare D6/480
D470,342 S 2/2003 Vaaler
D473,077 S 4/2003 Berry, Jr. et al.
D474,048 S 5/2003 Stanton
D478,747 S 8/2003 Warren et al.
D486,014 S 2/2004 Schmitt
D486,327 S 2/2004 Schmitt
D502,342 S 3/2005 O'Hare
D512,856 S 12/2005 Peterson et al.
D531,430 S 11/2006 Domack et al.
D531,432 S 11/2006 Domack et al.
D531,838 S 11/2006 Domack et al.
D540,069 S 4/2007 Schmitt
D544,728 S 6/2007 Schmitt
D548,492 S 8/2007 Domack et al.
D552,889 S 10/2007 Domack et al.
D552,891 S 10/2007 Everson et al.
D558,487 S 1/2008 Everson et al.

D558,488 S 1/2008 Domack et al.
D562,598 S 2/2008 Domack et al.
D569,660 S 5/2008 Schmitt
D586,154 S 2/2009 Schmitt
D592,893 S 5/2009 Schmitt
D613,974 S * 4/2010 Muller D6/495

OTHER PUBLICATIONS

Furniture Today, p. 158, Oct. 19, 1998.
Furniture Today, AICO Table; p. 15, Oct. 16, 2000.
Amini Innovation Corp. Monte Carlo Collection, #53000 Series, 2001, 1 page.
Amini Innovation Corp. La Francaise Collection, #50000 Series, Sep. 11, 2002, 2 pages.
Amini Innovation Corp. Torino Collection, #56000 Series, Apr. 18, 2002, 1 page.
Amini Innovation Corp. Excelsior Double Pedestal Table, Sep. 14, 2004, 1 page.
Amini Innovation Corp. Trevi Collection, Sep. 20, 2004, 2 pages.

* cited by examiner

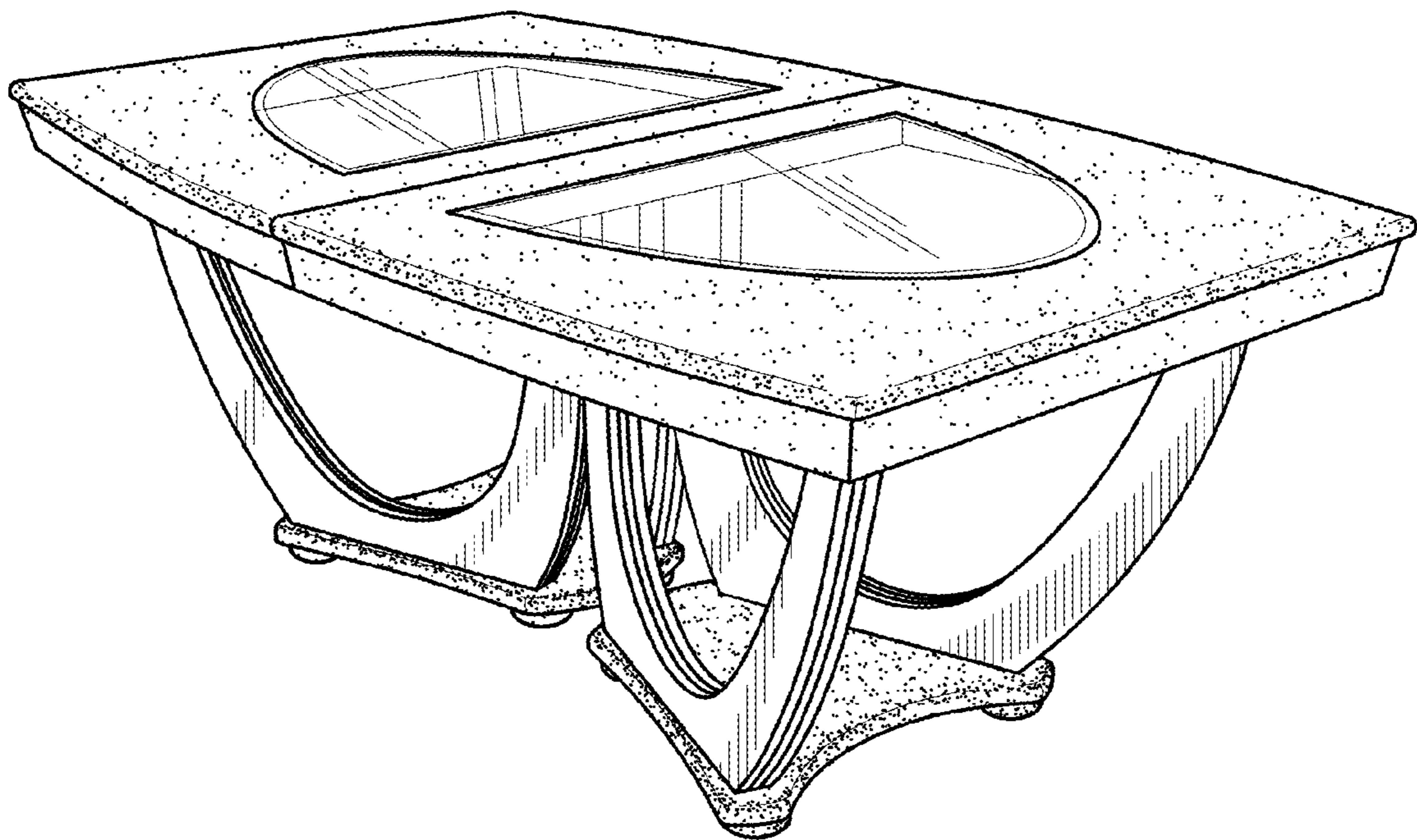


FIG. 1

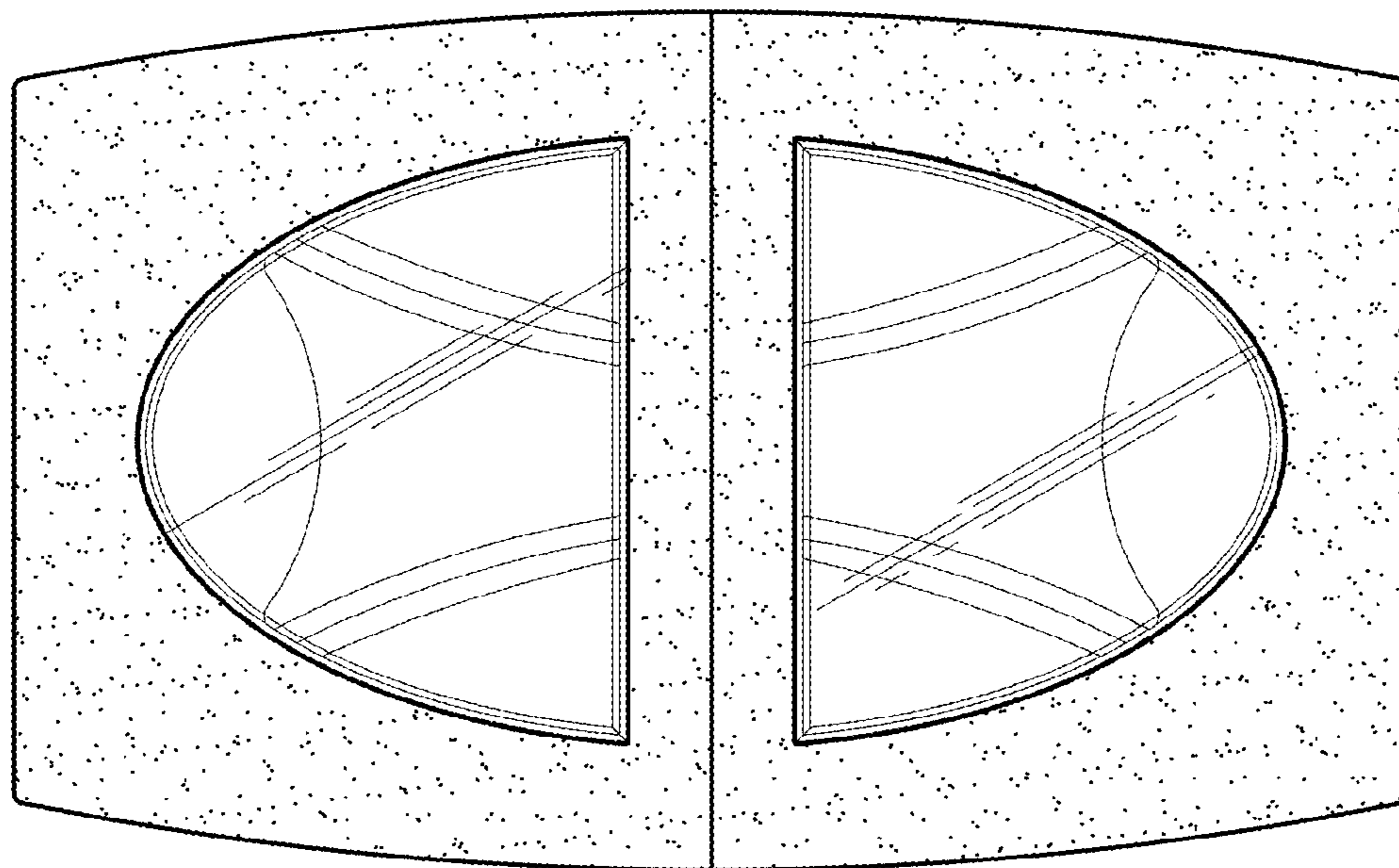


FIG. 2

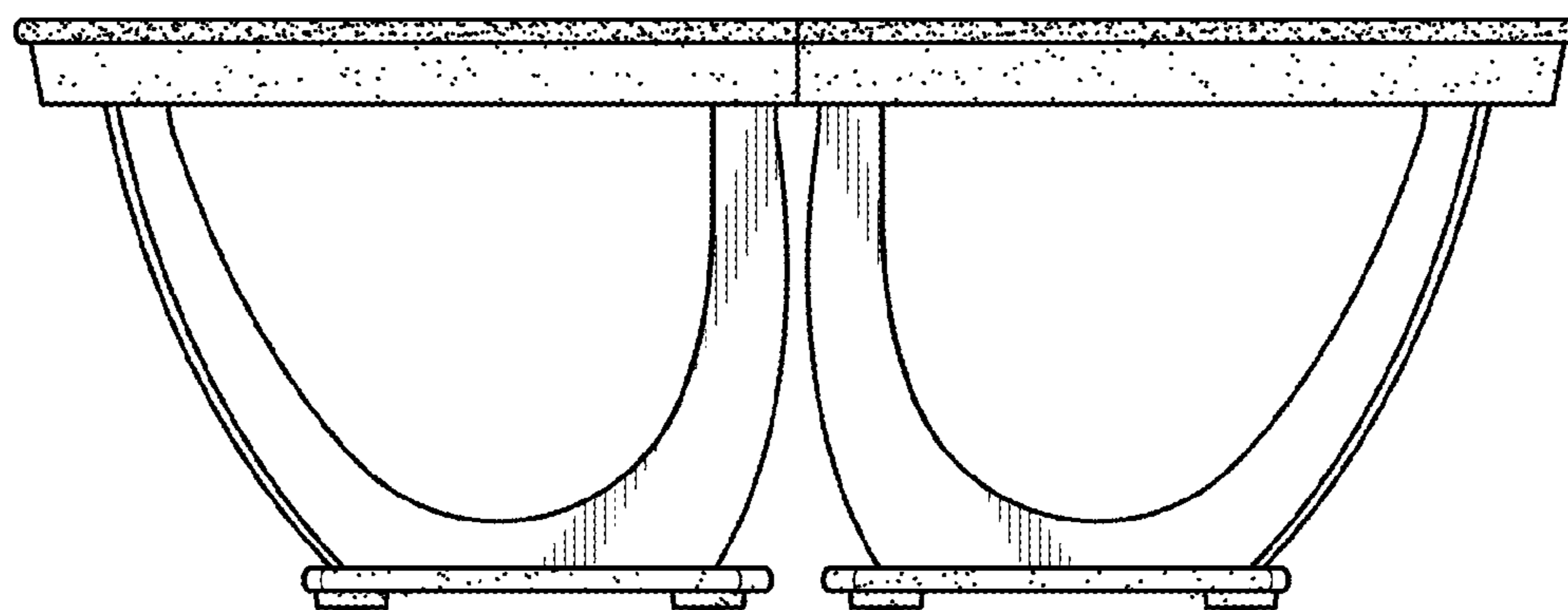


FIG. 3

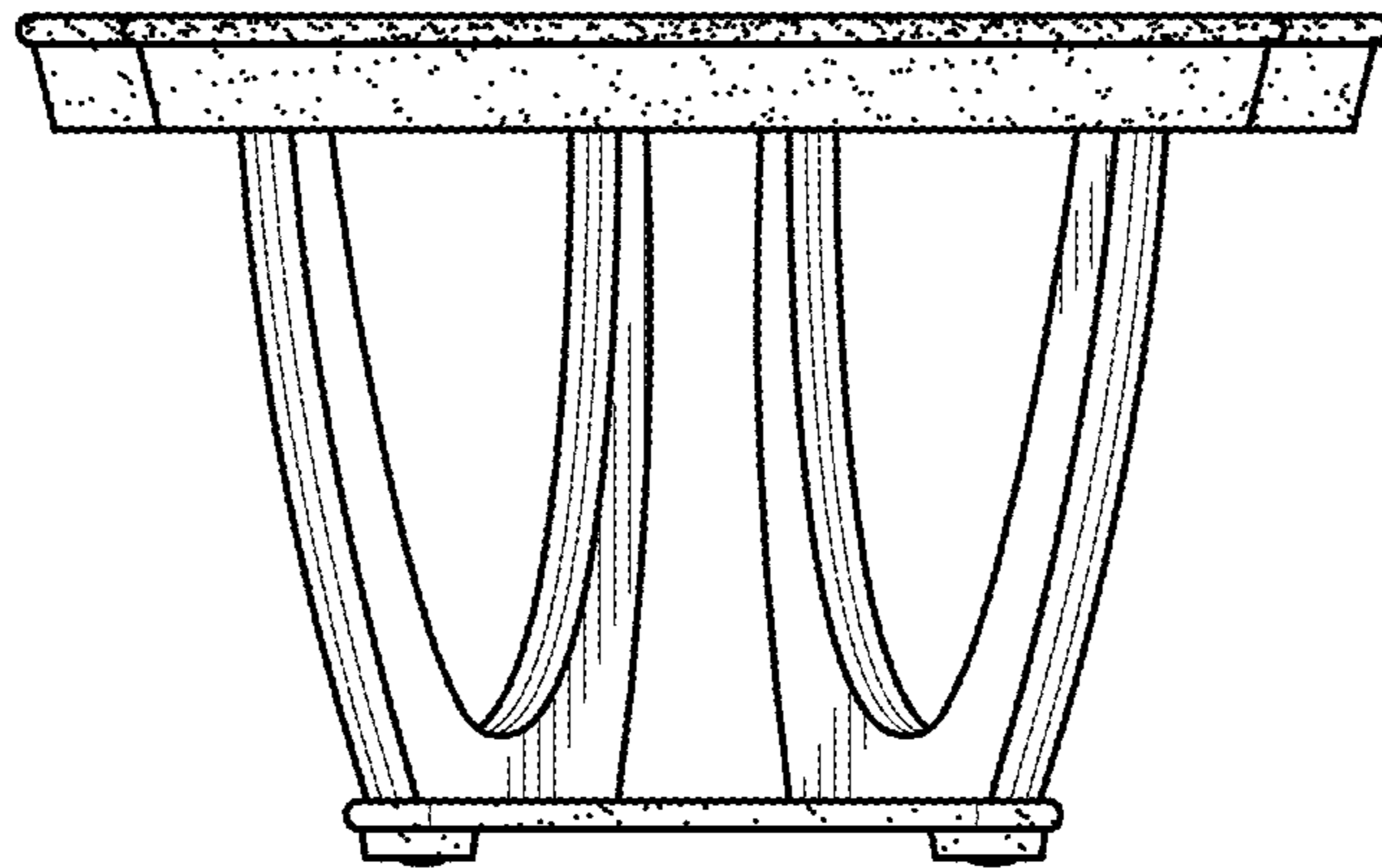


FIG. 4