



US00D684411S

(12) **United States Design Patent**
Kong et al.

(10) **Patent No.:** **US D684,411 S**
(45) **Date of Patent:** **** Jun. 18, 2013**

(54) **PERSONAL DISPLAY HOLDER**

(75) Inventors: **Duck Young Kong**, Grand Rapids, MI (US); **Thomas Overthun**, San Francisco, CA (US); **Elger Oberwelz**, San Francisco, CA (US)

(73) Assignee: **Steelcase Inc.**, Grand Rapids, MI (US)

(**) Term: **14 Years**

(21) Appl. No.: **29/414,145**

(22) Filed: **Feb. 24, 2012**

(51) **LOC (9) Cl.** **06-06**

(52) **U.S. Cl.**
USPC **D6/673**

(58) **Field of Classification Search**
USPC D6/449, 466–467, 491–492, 509,
D6/672–673; D19/75, 81; 206/214, 224,
206/370; 211/69.1–69.6; 248/346.1, 346.03,
248/346.06

See application file for complete search history.

(56) **References Cited**

U.S. PATENT DOCUMENTS

D329,963 S *	10/1992	Schneider	D7/387
D519,751 S *	5/2006	Etter	D6/449
D574,433 S *	8/2008	Poma	D19/83
D617,382 S *	6/2010	Guirlinger	D19/83
D625,300 S *	10/2010	Stifal et al.	D14/239
D660,912 S *	5/2012	Denzinger	D19/91
D661,556 S *	6/2012	Warner	D7/708
D663,776 S *	7/2012	Lira-Nunez et al.	D19/77

D663,777 S *	7/2012	Lira-Nunez	D19/85
D667,995 S *	9/2012	Grienay	D28/38
D669,937 S *	10/2012	Lira-Nunez et al.	D19/77
D672,357 S *	12/2012	Allen	D14/447

OTHER PUBLICATIONS

X-Pegs Sales Sheet, downloaded on Feb. 20, 2012 from www.nexusbyghent.com/assets/files/Nexus_XPeg.pdf (2 pages).

Caddy Sales Sheet, downloaded on Feb. 20, 2012 from www.nexusbyghent.com/assets/files/Nexus_Caddy.pdf (2 pages).

X-Hangers Sales Sheet, downloaded on Feb. 20, 2012 from www.nexusbyghent.com/assets/files/NexusX-HangersSellSheet.pdf (2 pages).

* cited by examiner

Primary Examiner — Kelley Donnelly

(57) **CLAIM**

We claim the ornamental design for a personal display holder, as shown and described.

DESCRIPTION

FIG. 1 is a front perspective view of a personal display holder; FIG. 2 is a left side view of a personal display holder of FIG. 1;

FIG. 3 is a right side view of a personal display holder of FIG. 1;

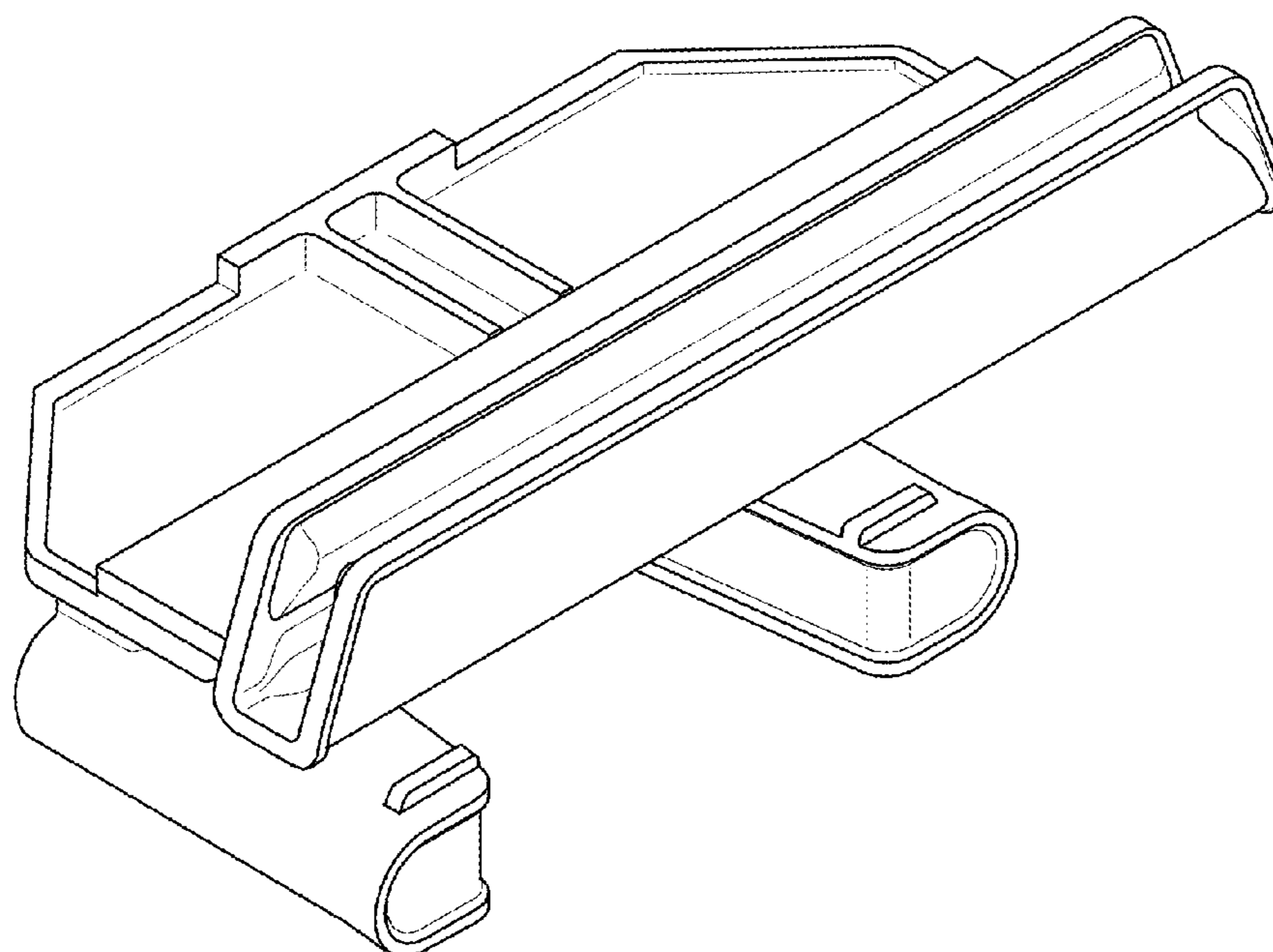
FIG. 4 is a front view of a personal display holder of FIG. 1;

FIG. 5 is a rear view of a personal display holder of FIG. 1;

FIG. 6 is a top view of a personal display holder of FIG. 1; and,

FIG. 7 is a bottom view of a personal display holder of FIG. 1.

1 Claim, 3 Drawing Sheets



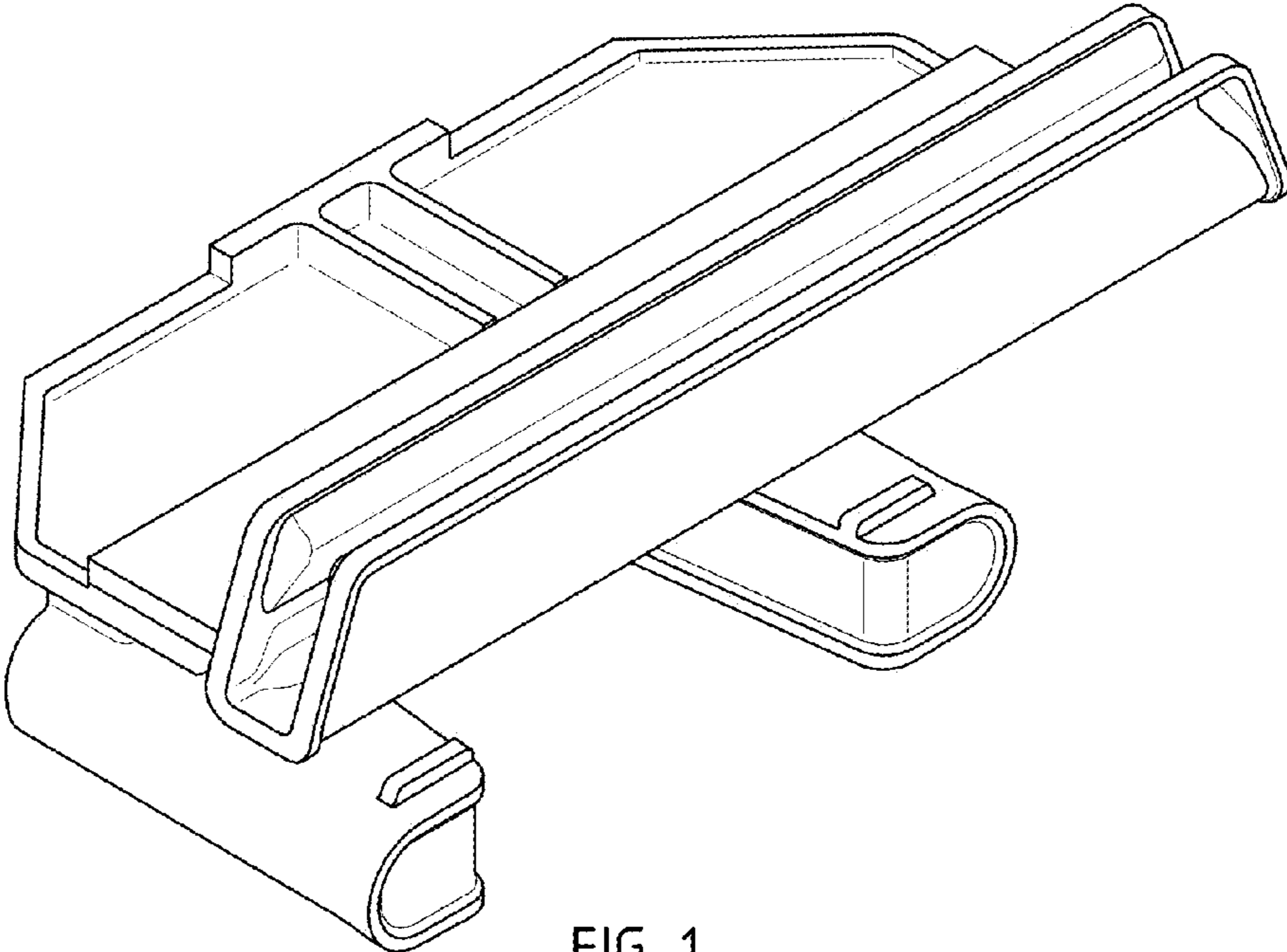


FIG. 1

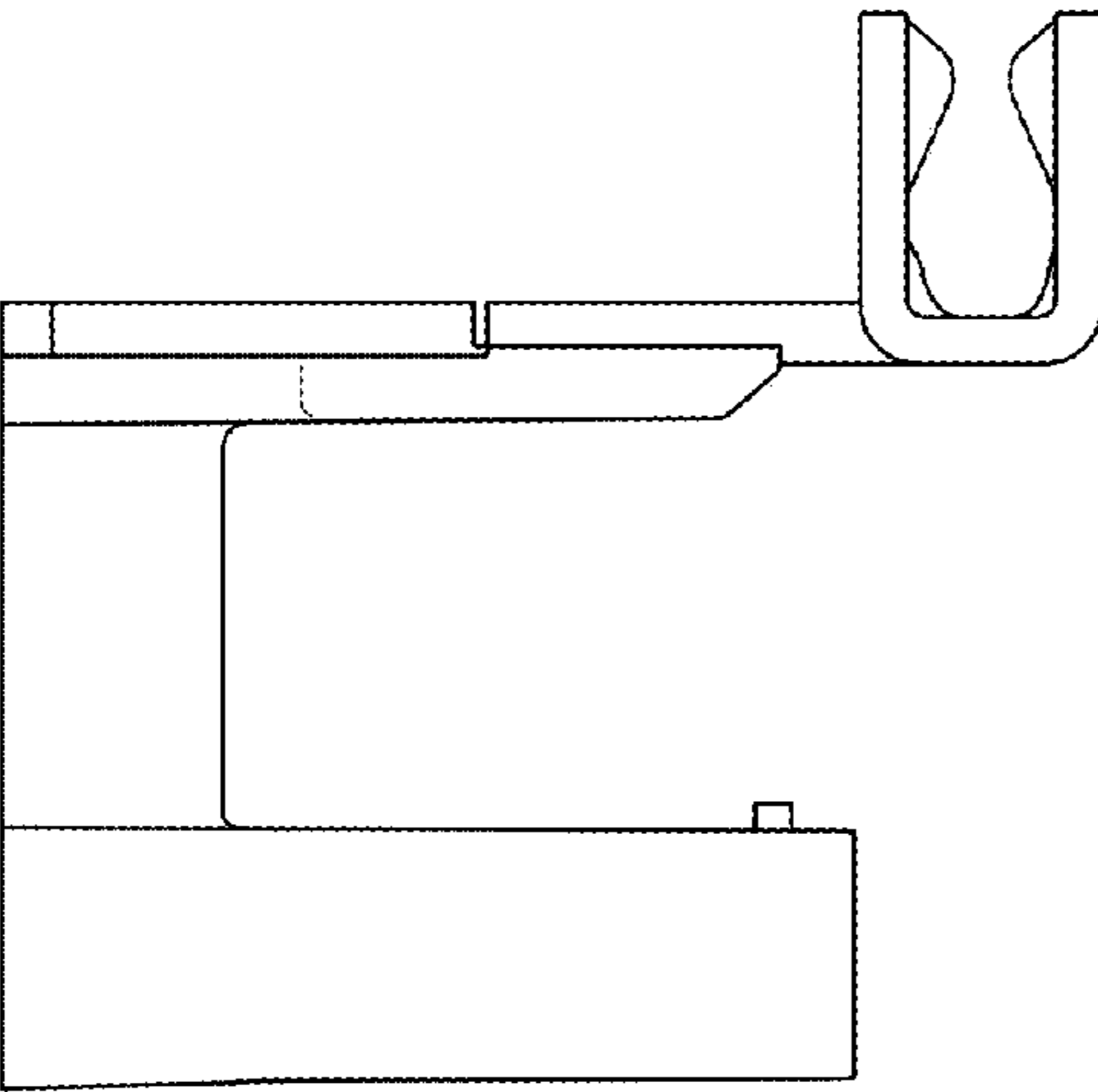


FIG. 2

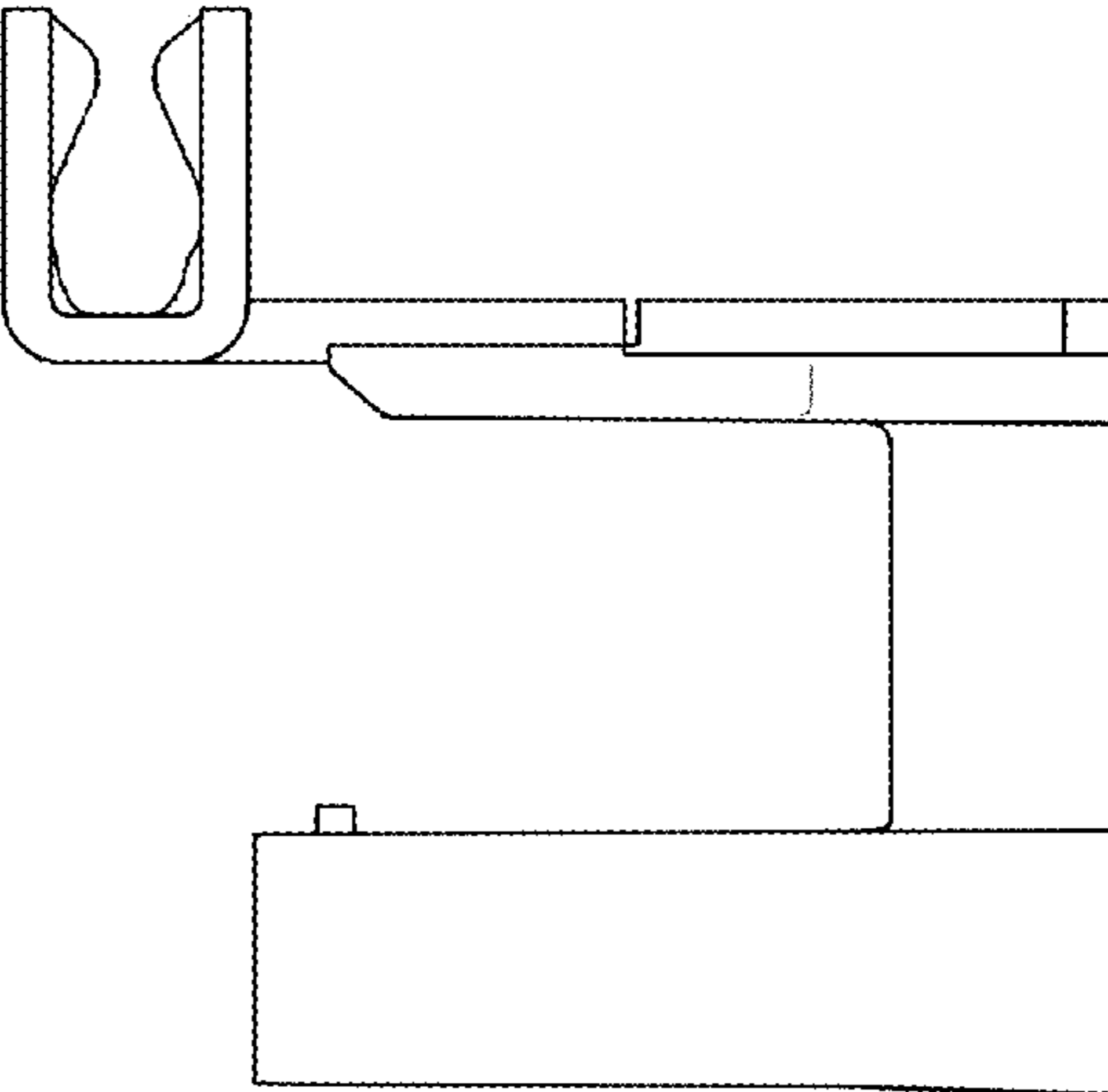


FIG. 3

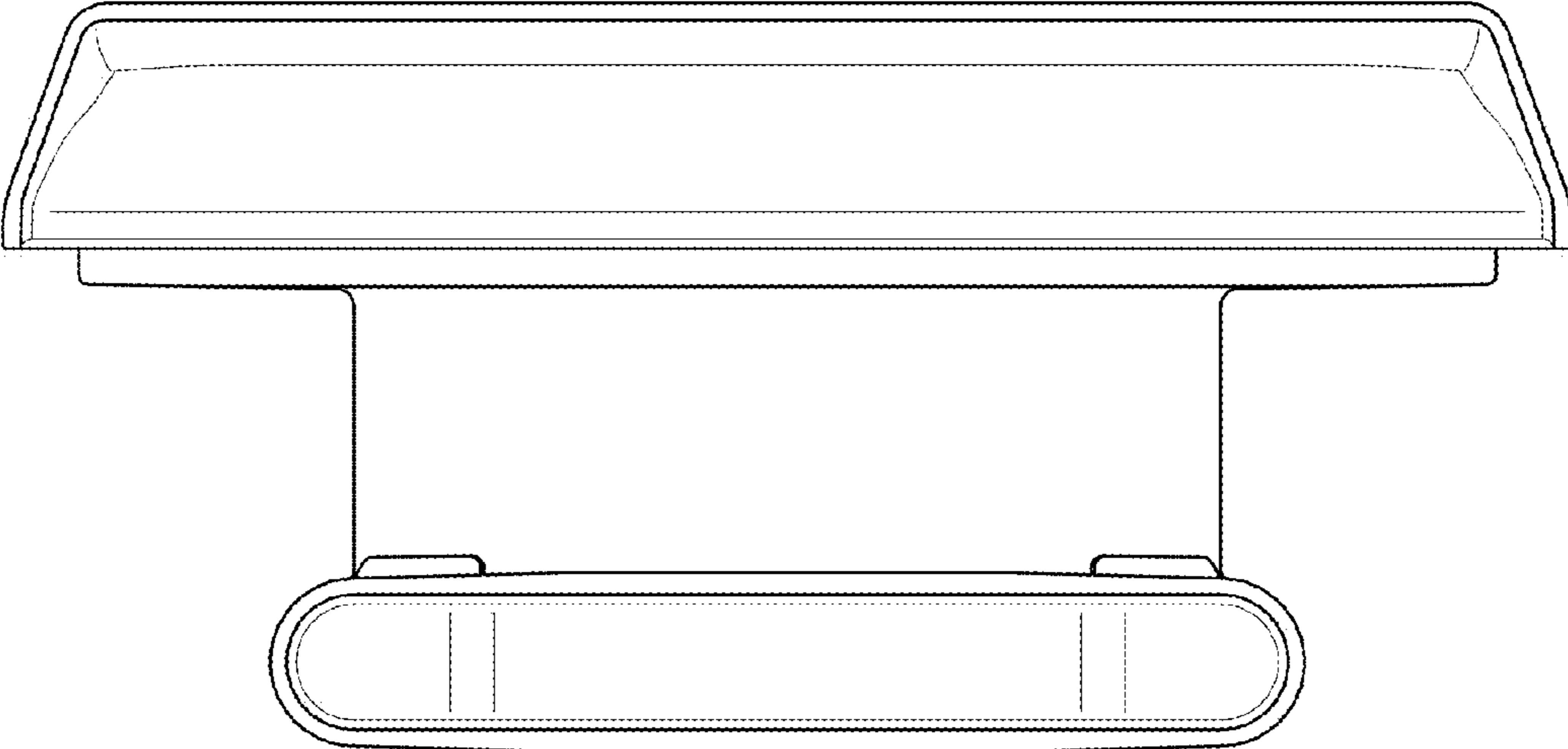


FIG. 4

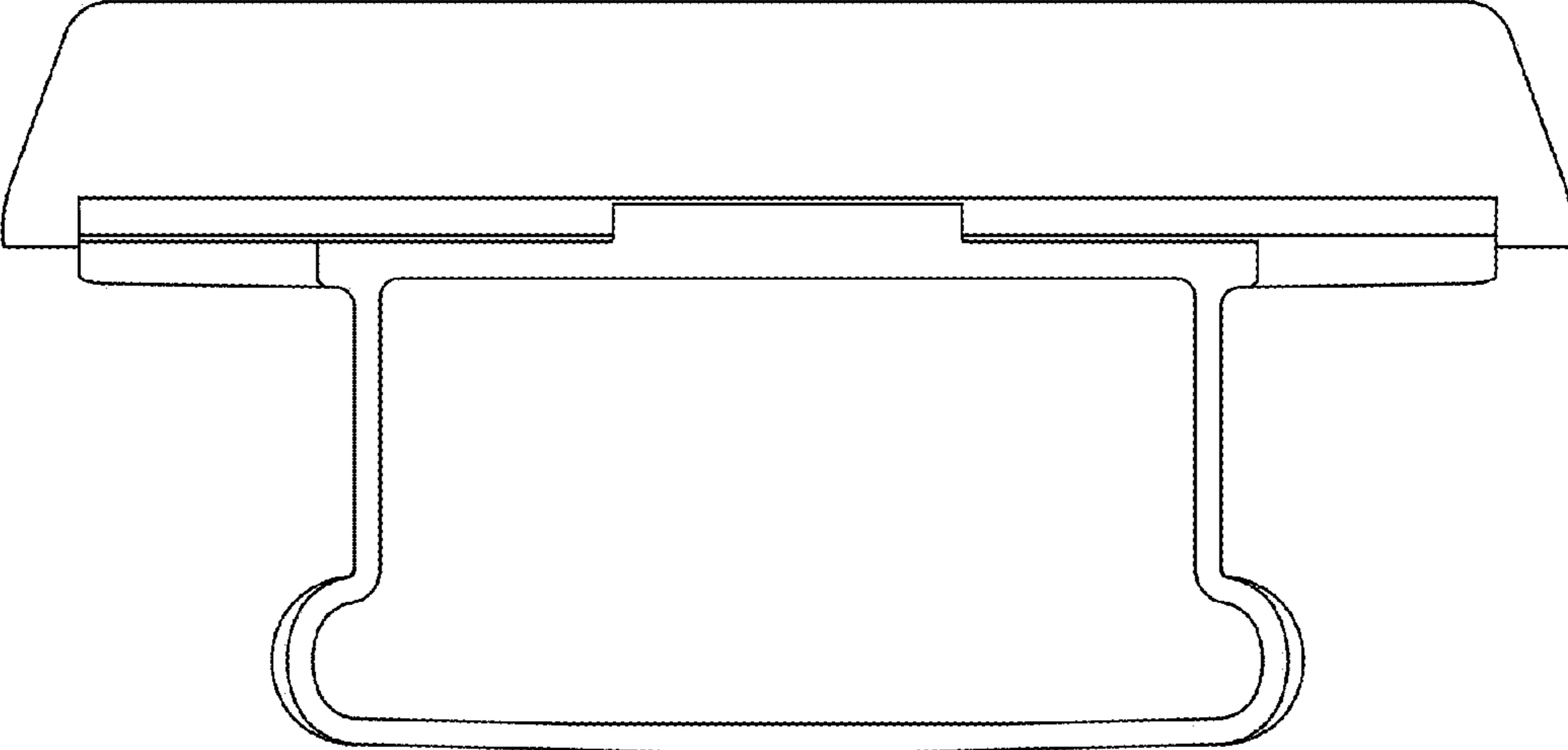


FIG. 5

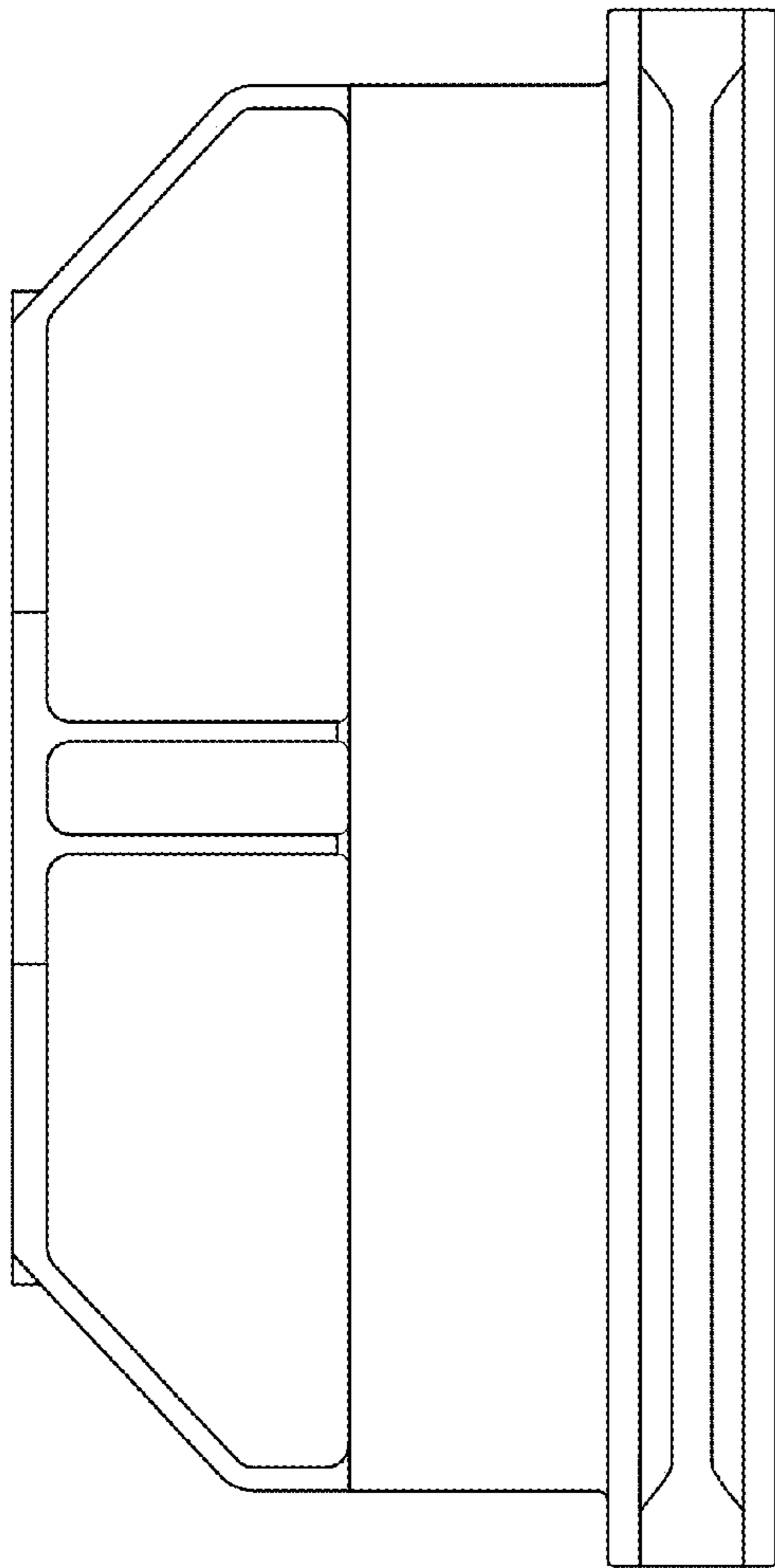


FIG. 6

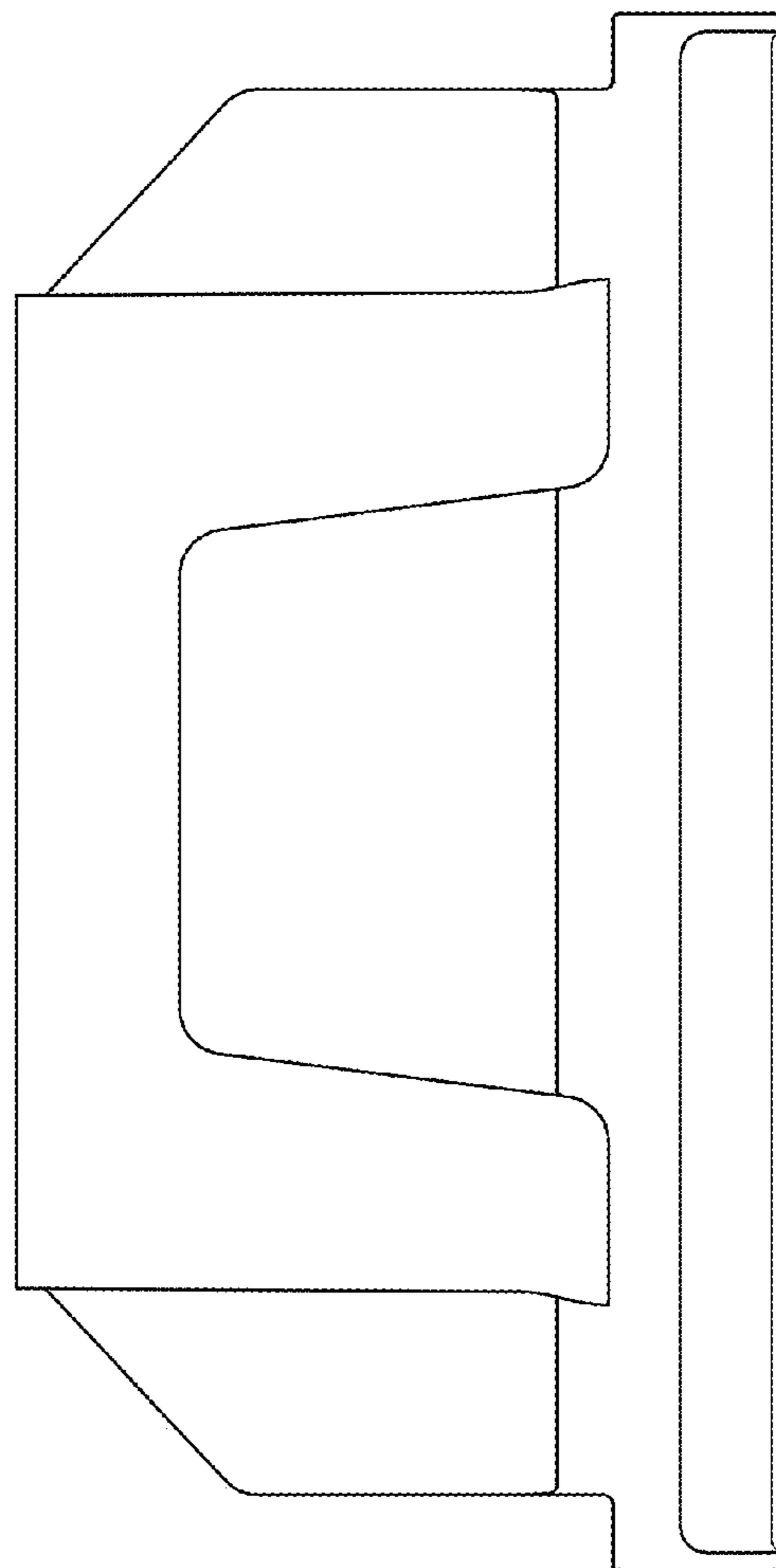


FIG. 7