



US00D684408S

(12) **United States Design Patent**
Coraluzzo et al.

(10) **Patent No.:** **US D684,408 S**
(45) **Date of Patent:** **** Jun. 18, 2013**

(54) **BLANKET HOLDER**

(71) Applicants: **Tracy Coraluzzo**, Buena, NJ (US); **John Brittner**, Vineland, NJ (US); **Brenda Brittner**, Vineland, PA (US)

(72) Inventors: **Tracy Coraluzzo**, Buena, NJ (US); **John Brittner**, Vineland, NJ (US); **Brenda Brittner**, Vineland, PA (US)

(**) Term: **14 Years**

(21) Appl. No.: **29/434,396**

(22) Filed: **Oct. 12, 2012**

(51) **LOC (9) Cl.** **06-04**

(52) **U.S. Cl.**
USPC **D6/570**

(58) **Field of Classification Search**
USPC D6/512-514, 553, 552, 566-574,
D6/320-324, 327, 396, 462, 465, 476, 479;
211/13.1, 16-17, 23, 49.1, 59.4, 64, 70.5,
211/70.6, 86.01, 87.01, 90.01, 105.1, 123,
211/181.1; 108/28-29, 42, 59, 64, 91; 248/49,
248/67.7, 175, 176.1, 236, 238, 241, 251,
248/255, 309.1, 309.2, 200, 205.1, 218.4,
248/219.4

See application file for complete search history.

(56) **References Cited**

U.S. PATENT DOCUMENTS

D127,813 S *	6/1941	Pipenhagen	D6/570
D224,499 S *	8/1972	Robertson	D6/570
D297,412 S *	8/1988	Allen	D6/570
D326,564 S *	6/1992	Emery	D6/569
D587,504 S *	3/2009	Russell et al.	D6/570

* cited by examiner

Primary Examiner — Brian N Vinson

(74) *Attorney, Agent, or Firm* — Cheryl R. Figlin, Esq;
Feigin & Associates, LLC

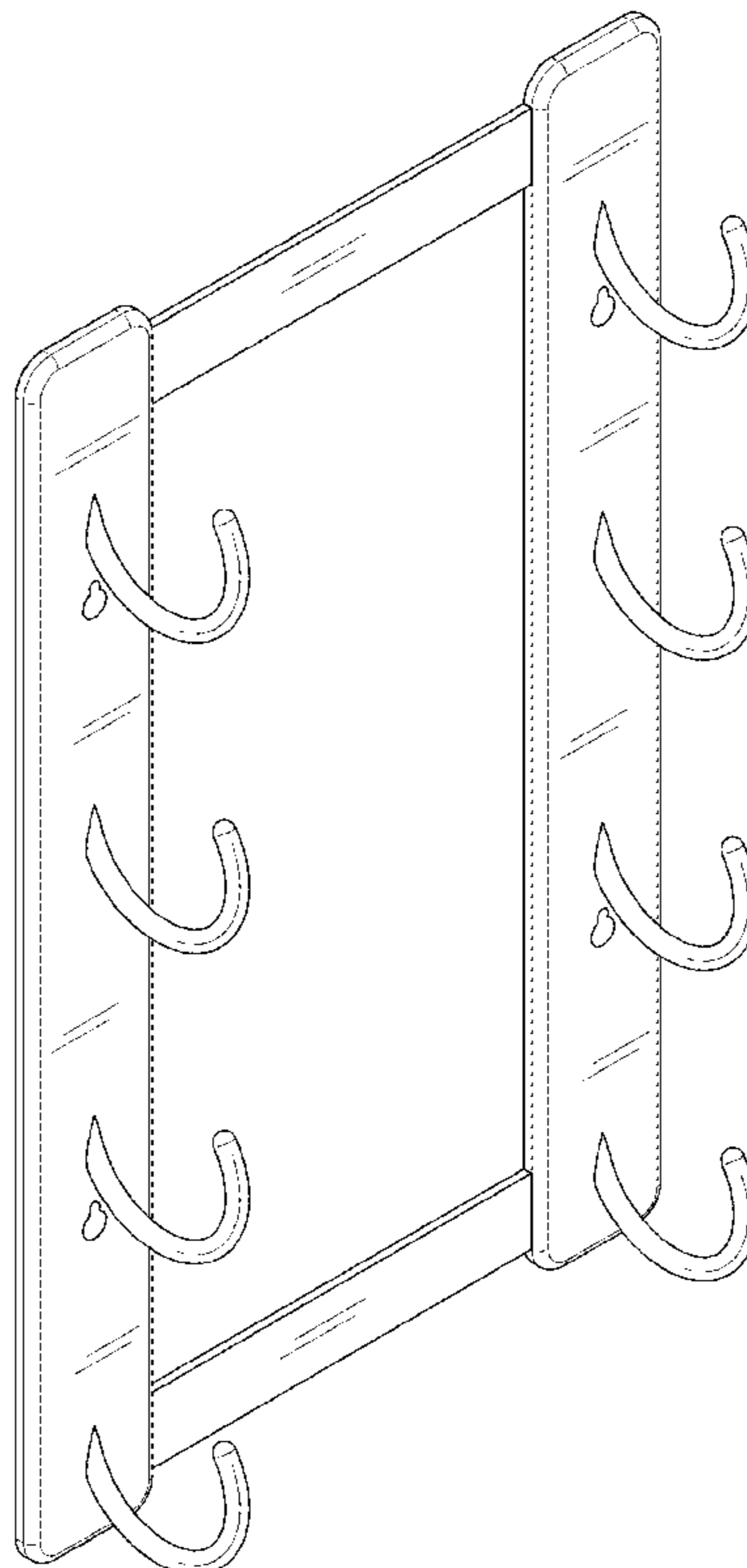
(57) **CLAIM**

The ornamental design for a blanket holder, as shown and described.

DESCRIPTION

FIG. 1 is a top, front, and left side perspective view of a blanket holder showing our new design;
FIG. 2 is an additional perspective view thereof, the broken-line disclosure of rolled blankets being shown for illustrative purposes only and forming no part of the claimed design;
FIG. 3 is a front elevational view thereof;
FIG. 4 is a left side elevational view thereof, the right side being a mirror image of that shown;
FIG. 5 is a top plan view thereof;
FIG. 6 is a bottom plan view thereof; and,
FIG. 7 is a rear elevational view thereof.

1 Claim, 7 Drawing Sheets



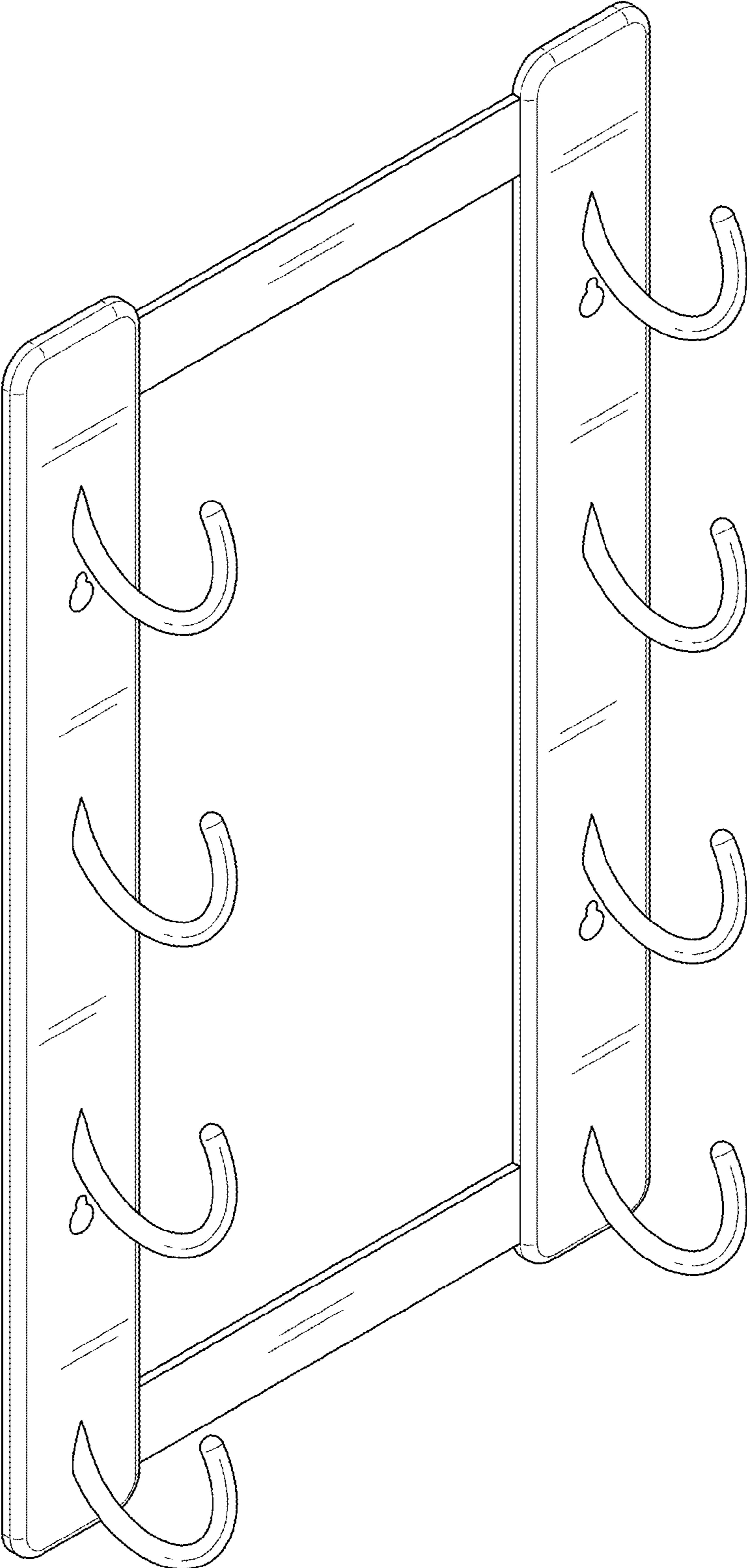


FIG. 1

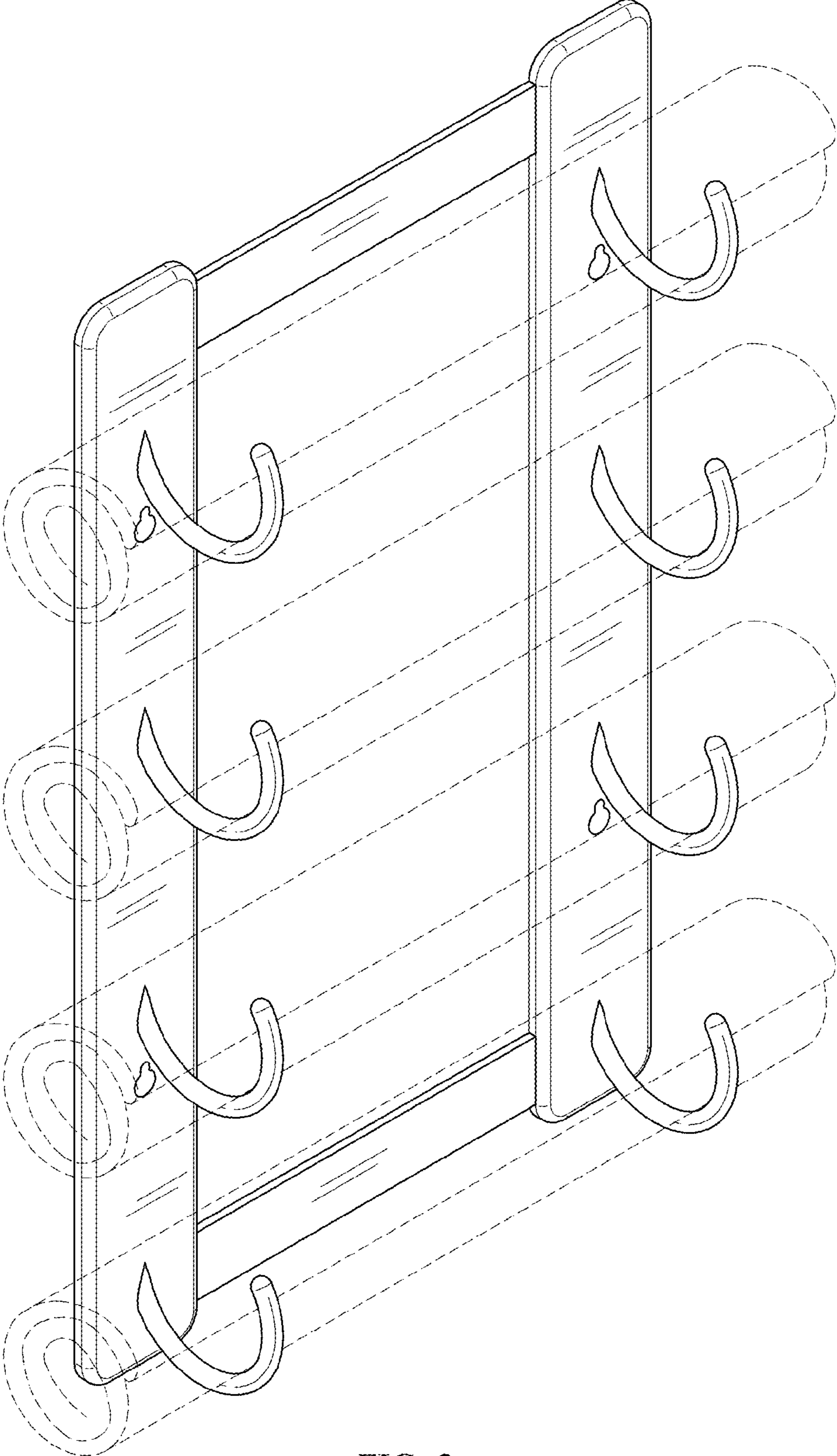


FIG. 2

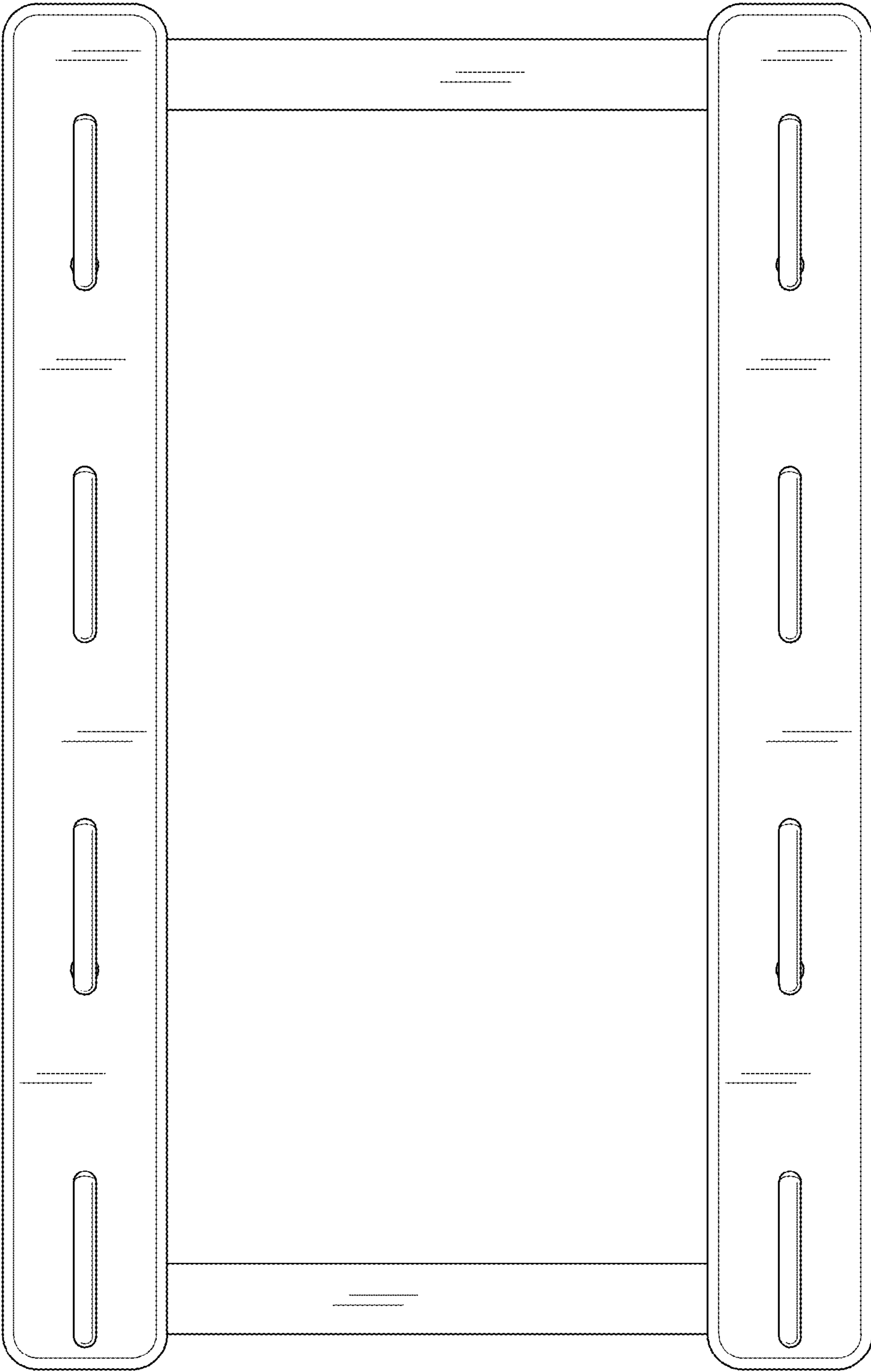


FIG. 3

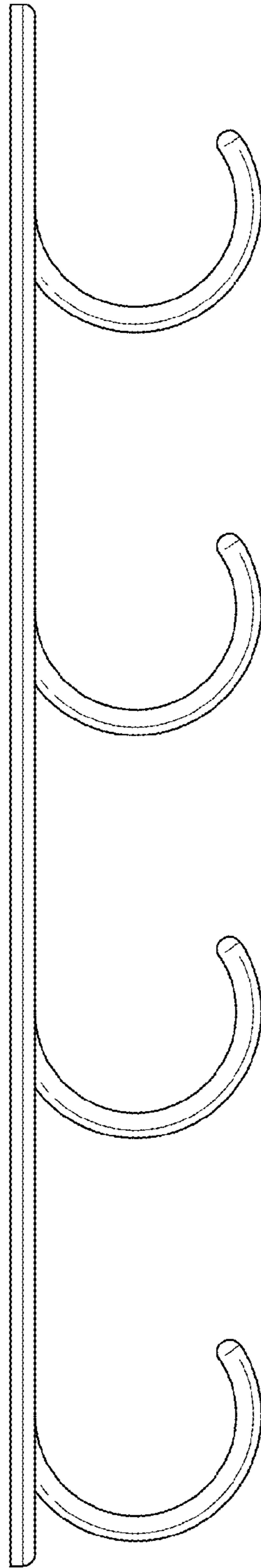


FIG. 4



FIG. 5

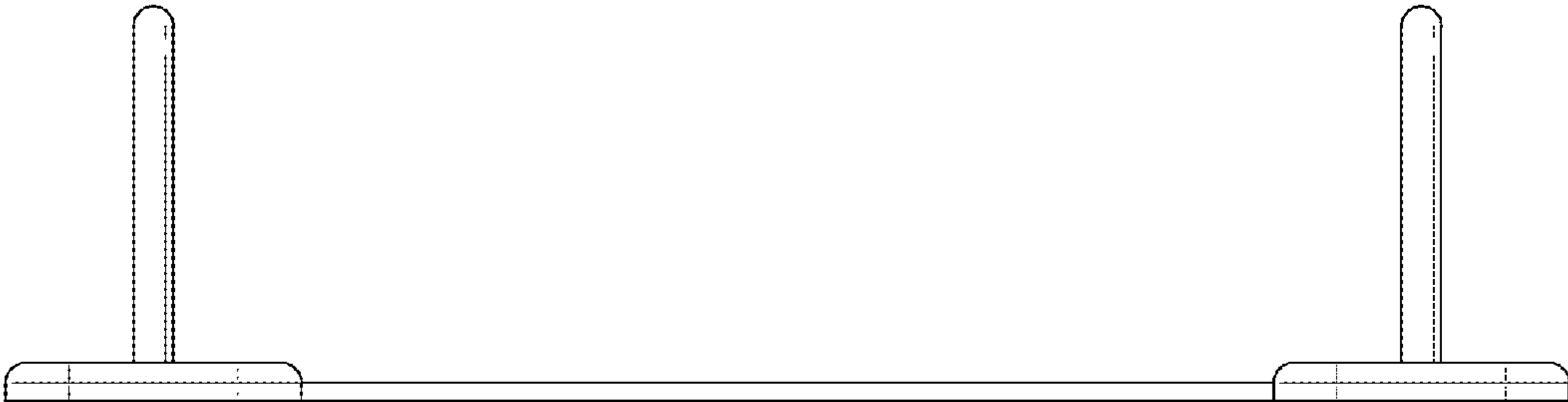


FIG. 6

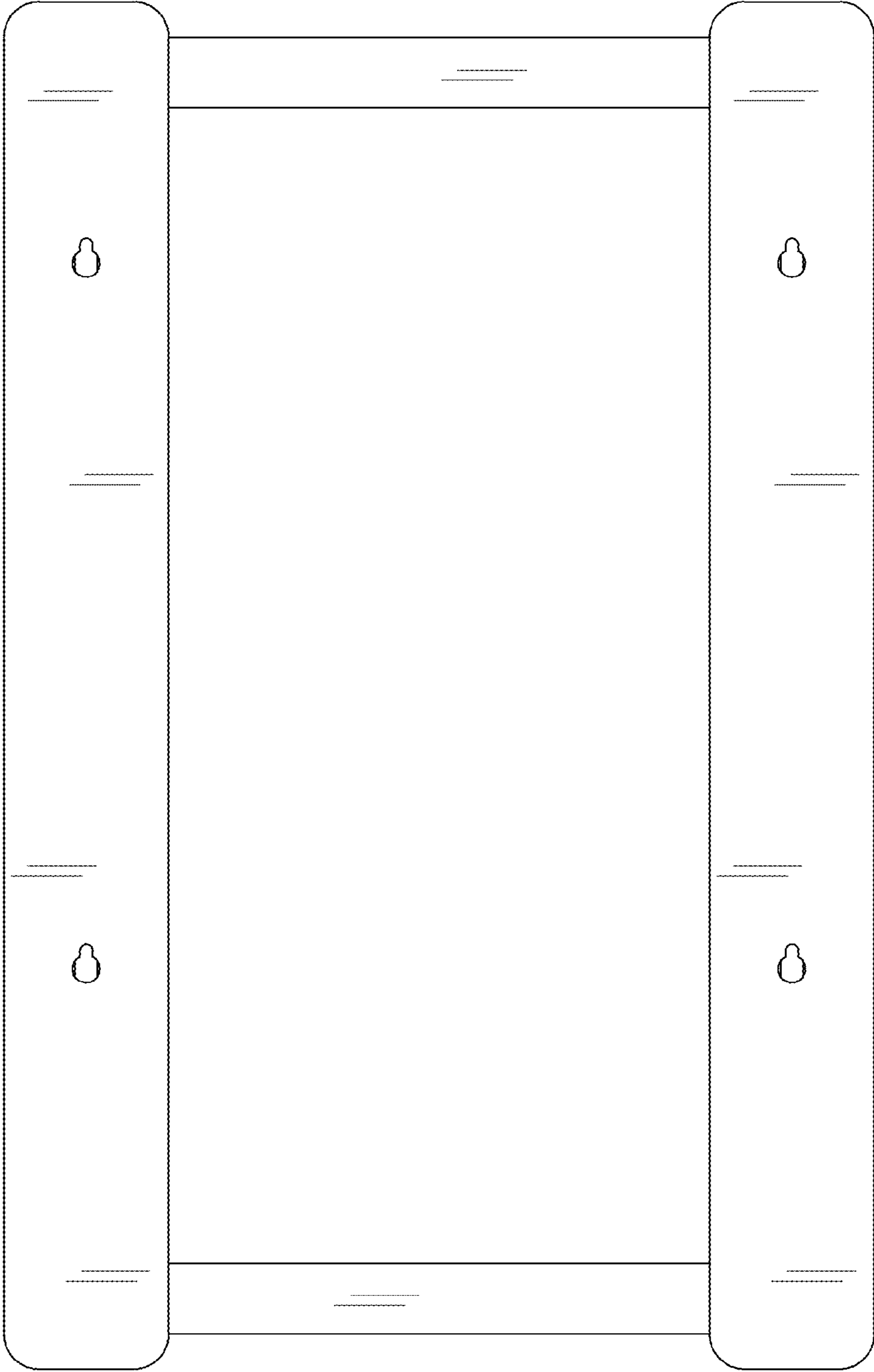


FIG. 7