



US00D684406S

(12) **United States Design Patent**
Cockrell

(10) **Patent No.:** **US D684,406 S**
(45) **Date of Patent:** **** Jun. 18, 2013**

(54) **SHOWER SHELF**

(75) Inventor: **Sharon M. Cockrell**, Conroe, TX (US)

(73) Assignee: **Sojourn 57 Vision Inc.**, Conroe, TX (US)

(**) Term: **14 Years**

(21) Appl. No.: **29/424,182**

(22) Filed: **Jun. 8, 2012**

(51) **LOC (9) Cl.** **23-02**

(52) **U.S. Cl.**
USPC **D6/525**

(58) **Field of Classification Search**
USPC D6/524, 525, 329, 397, 562; D7/500, D7/505, 555, 601, 701, 637; D11/131, 143, D11/146, 152; D28/73; 47/41.1, 65.5, 66.1, 47/66.6, 66.7, 69; 211/13.1, 69.1, 62, 70.6, 211/70.7, 119.011; D3/308, 315, 313
See application file for complete search history.

(56) **References Cited**

U.S. PATENT DOCUMENTS

3,869,183	A *	3/1975	Frank, Jr.	D6/525
D260,462	S *	9/1981	Melamed et al.	D6/525
4,289,289	A	9/1981	Overman	
4,307,923	A	12/1981	Raz	
4,382,640	A	5/1983	Kashden	
4,519,656	A	5/1985	Raz	
4,892,195	A	1/1990	Slavin et al.	
5,103,741	A	4/1992	Grund et al.	
5,188,246	A	2/1993	Maxworthy	
5,474,192	A	12/1995	Hartzell	
5,709,158	A	1/1998	Wareheim	
D442,812	S *	5/2001	McMahon et al.	D6/525
6,299,004	B1	10/2001	Thalenfeld et al.	
6,536,614	B2	3/2003	Hsia et al.	
6,615,745	B2	9/2003	Cinkaj	
7,124,988	B1	10/2006	Duffy et al.	
7,231,736	B2	6/2007	Labin	
7,281,762	B1	10/2007	Getfield	
7,857,158	B2	12/2010	Wichelhaus	

D636,198	S *	4/2011	Gibbs	D6/525
2008/0053934	A1	3/2008	Newbould et al.	
2008/0099350	A1	5/2008	Duncan	
2008/0230569	A1	9/2008	McConville et al.	
2008/0258035	A1	10/2008	Wichelhaus	

* cited by examiner

Primary Examiner — Brian N Vinson

(74) *Attorney, Agent, or Firm* — IPLM Group, P.A.

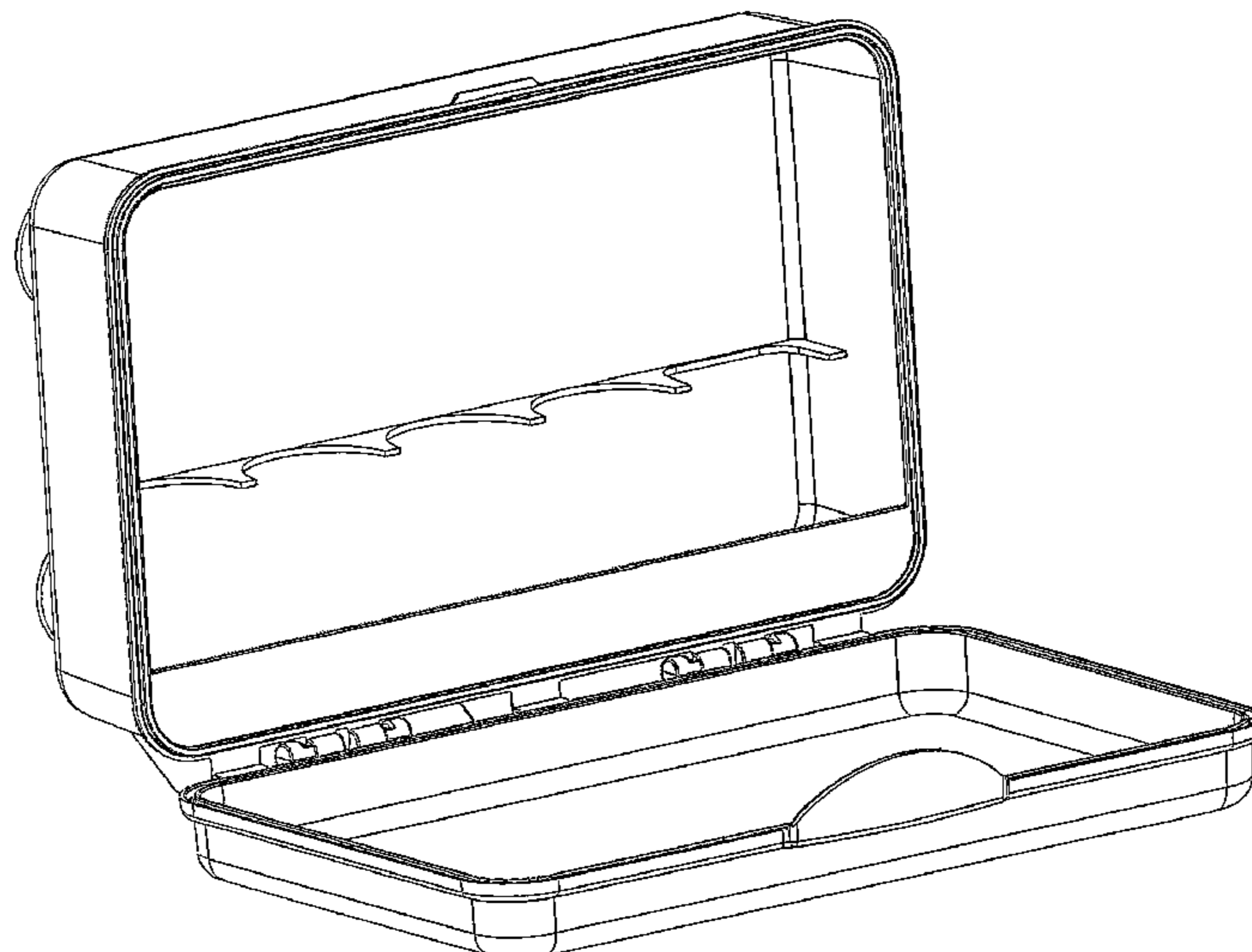
(57) **CLAIM**

The ornamental design for a shower shelf, as shown and described.

DESCRIPTION

FIG. 1 is a front view of a shower shelf in a closed orientation constructed according to the principles of the present invention;
 FIG. 2 is a back view of the shower shelf shown in FIG. 1 in the closed orientation;
 FIG. 3 is a top view of the shower shelf shown in FIG. 1 in the closed orientation;
 FIG. 4 is a bottom view of the shower shelf shown in FIG. 1 in the closed orientation;
 FIG. 5 is a left side view of the shower shelf shown in FIG. 1 in the closed orientation;
 FIG. 6 is a front perspective view of the shower shelf of FIG. 1 in an open configuration;
 FIG. 7 is a front view of the shower shelf of FIG. 1 in the open configuration;
 FIG. 8 is a left side view of the shower shelf of FIG. 1 in the open configuration;
 FIG. 9 is a back view of the shower shelf of FIG. 1 in the open configuration;
 FIG. 10 is a bottom view of shower shelf of FIG. 1 in the open configuration; and,
 FIG. 11 is a top view of the shower shelf of FIG. 1 in the open configuration.
 The right side is a mirror image of the left side.

1 Claim, 11 Drawing Sheets



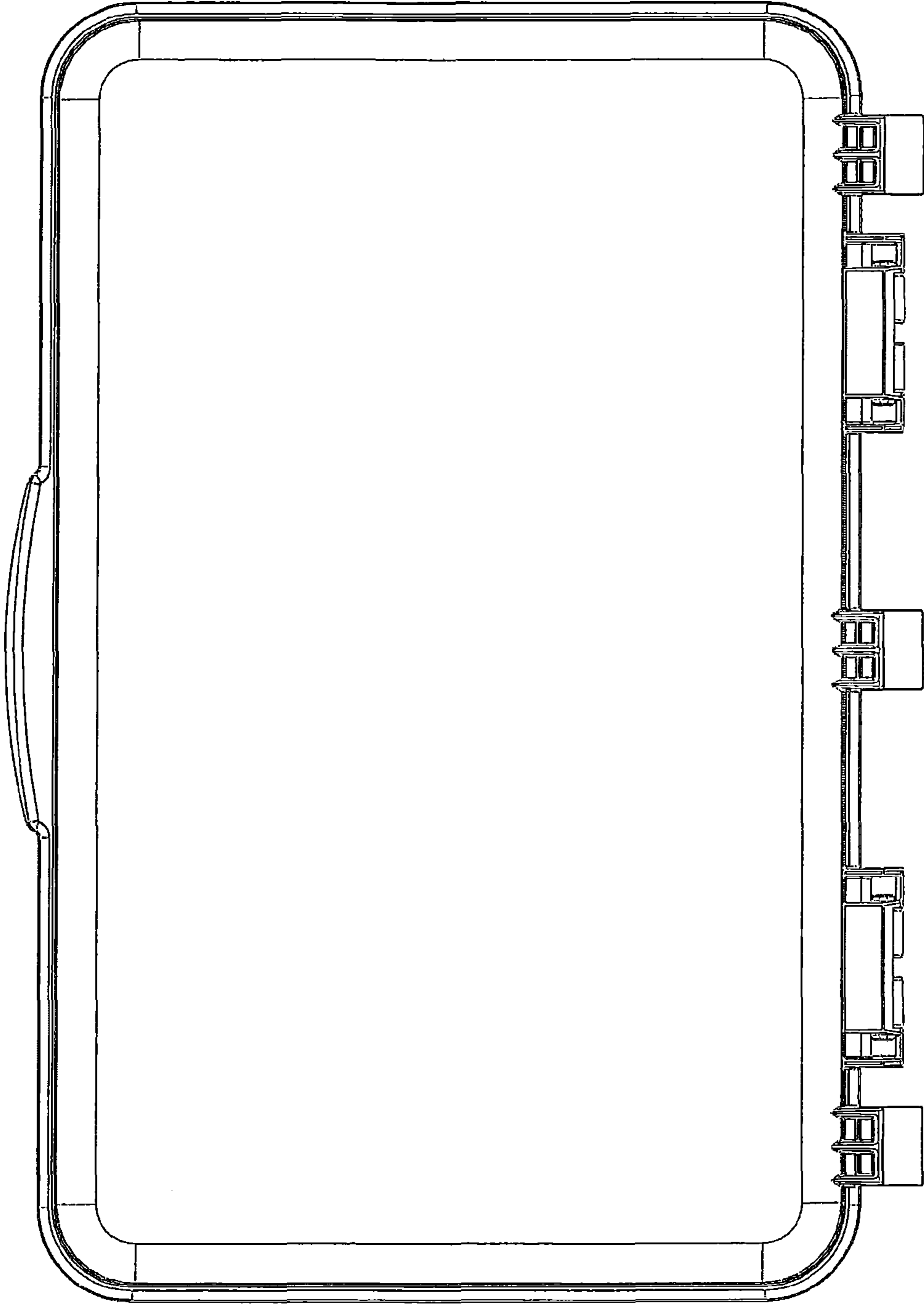


FIG. 1

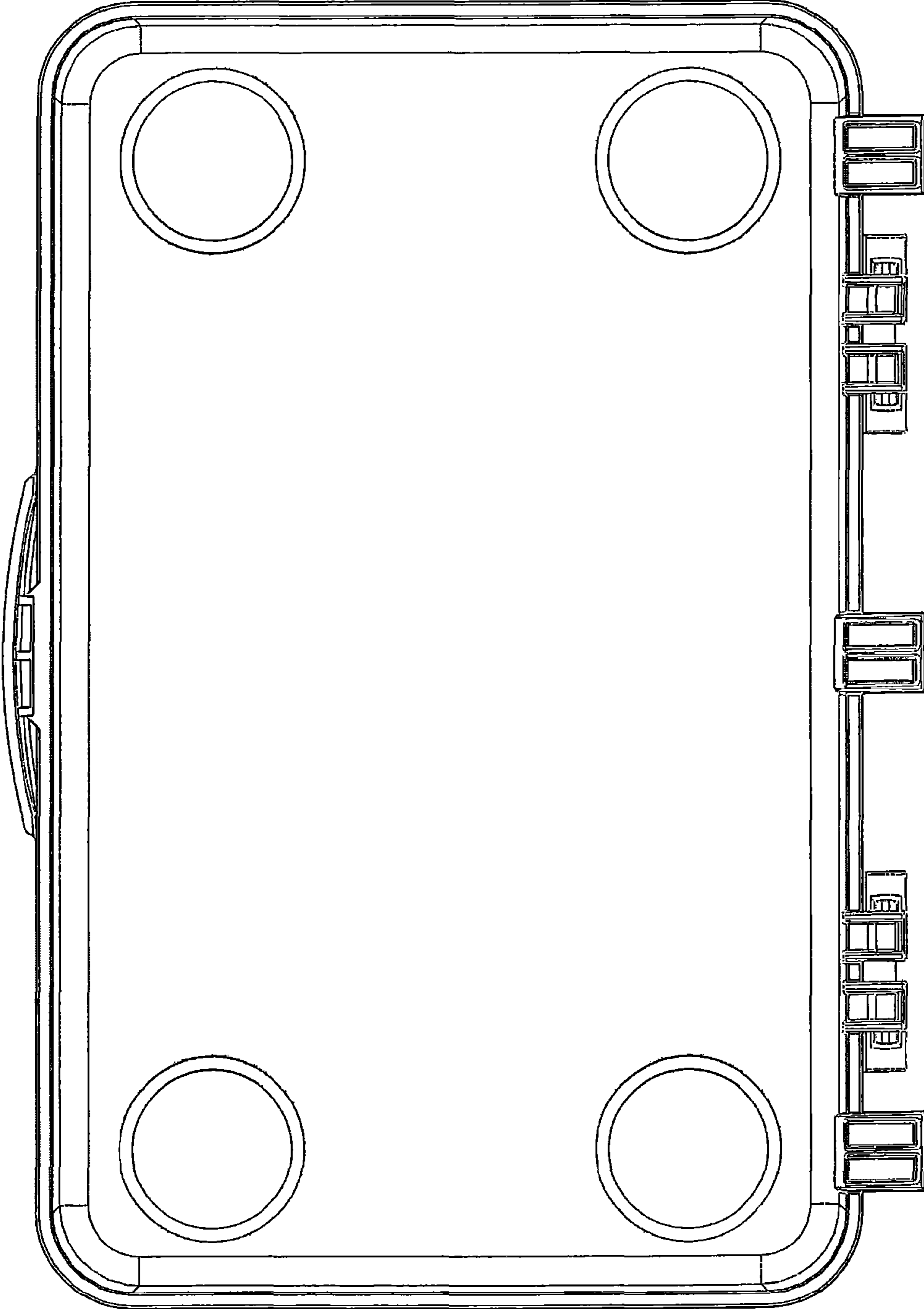


FIG. 2

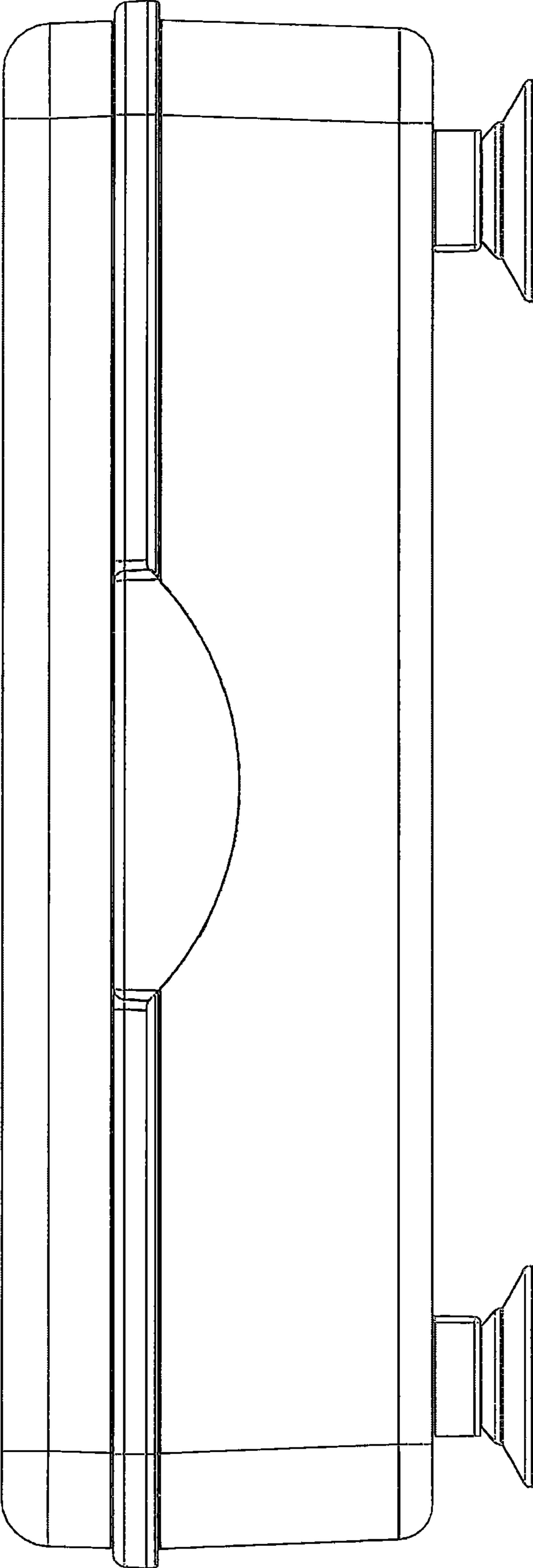


FIG. 3

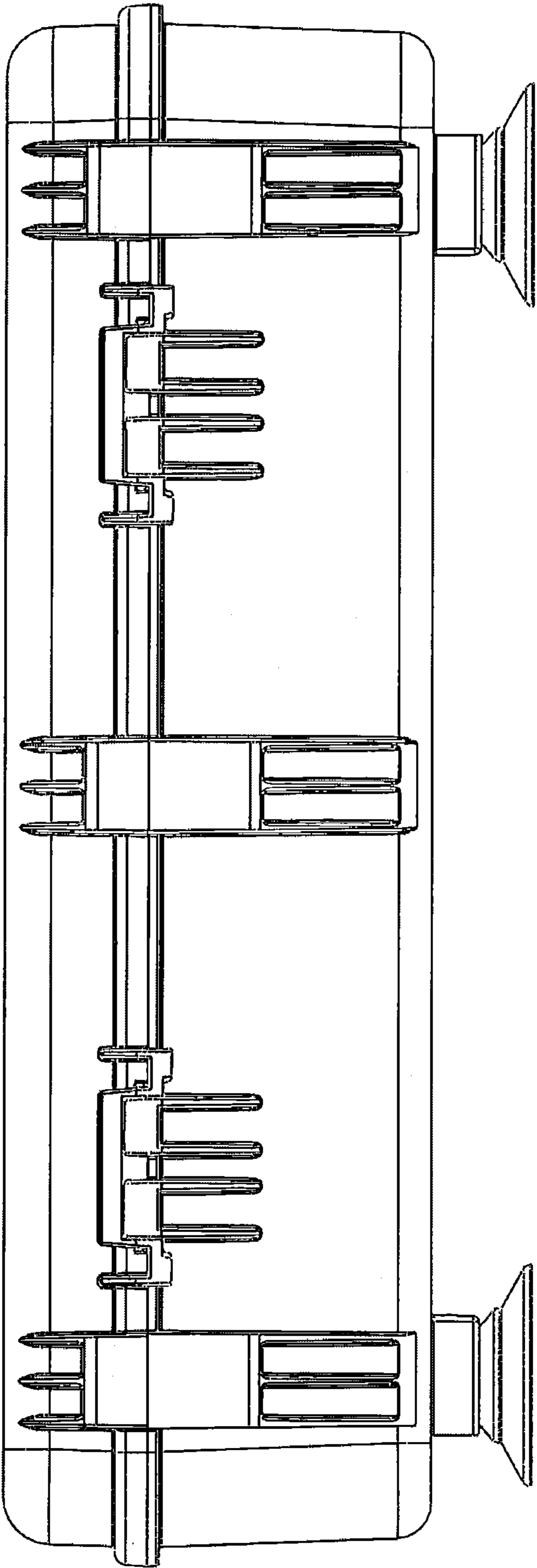


FIG. 4

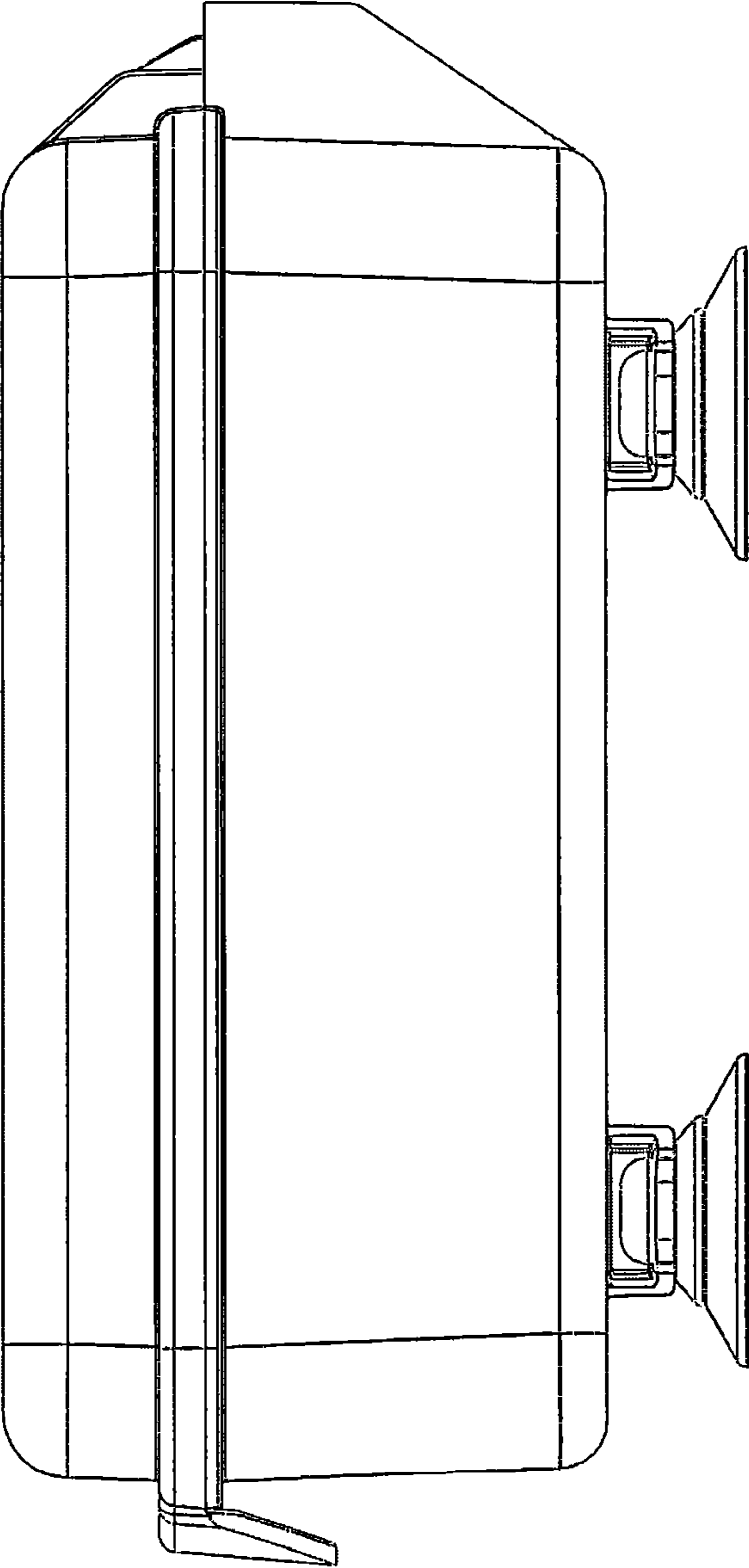


FIG. 5

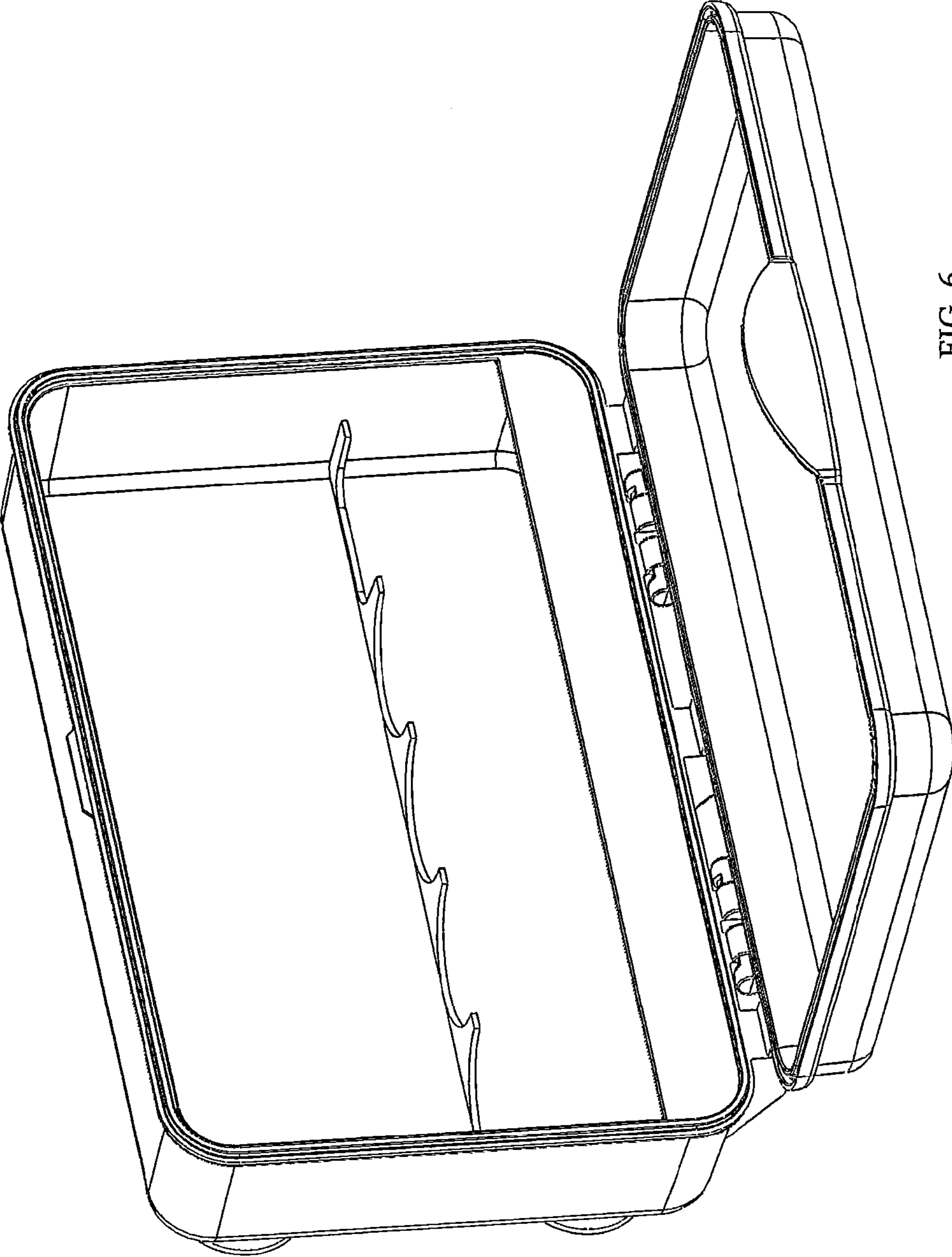


FIG. 6

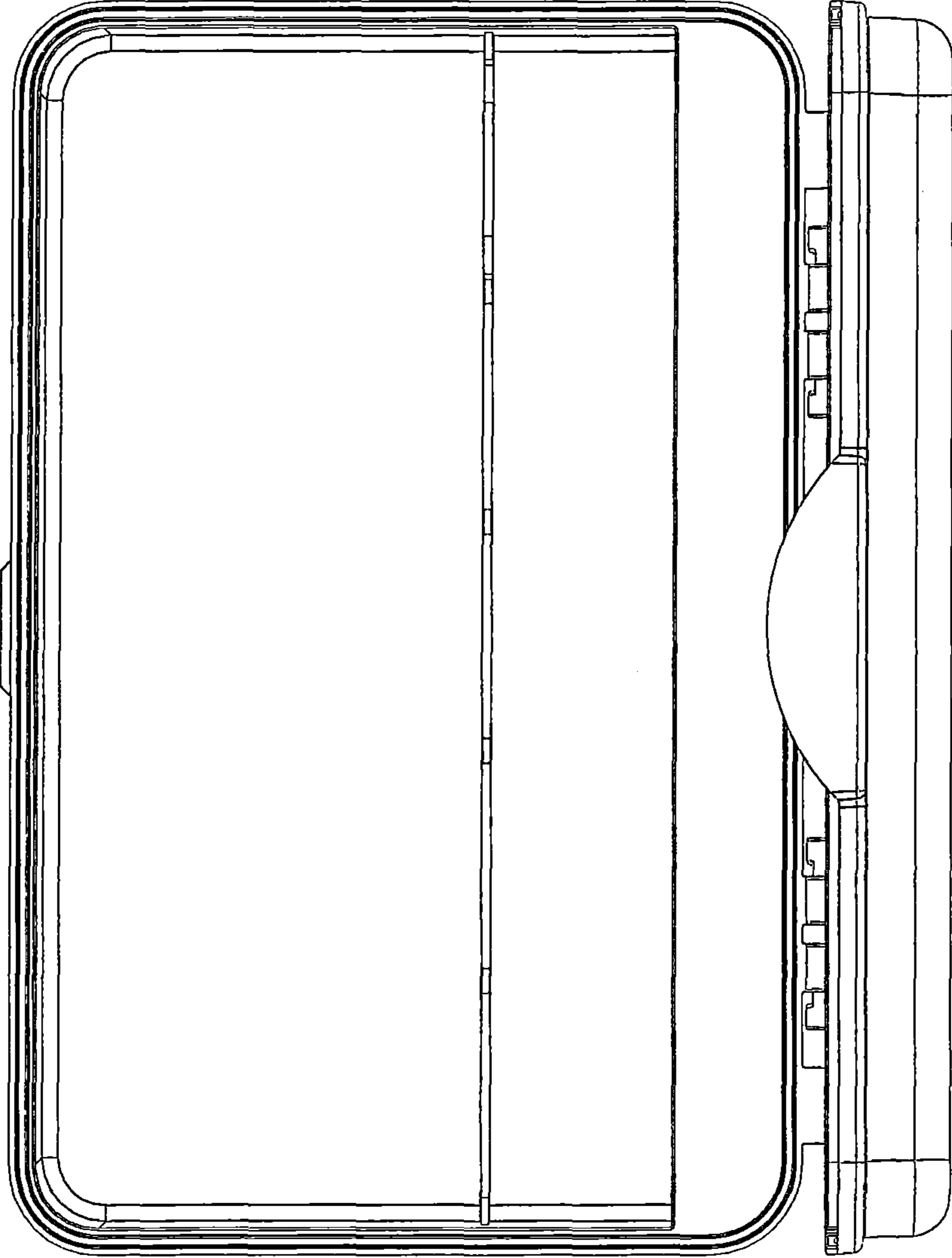


FIG. 7

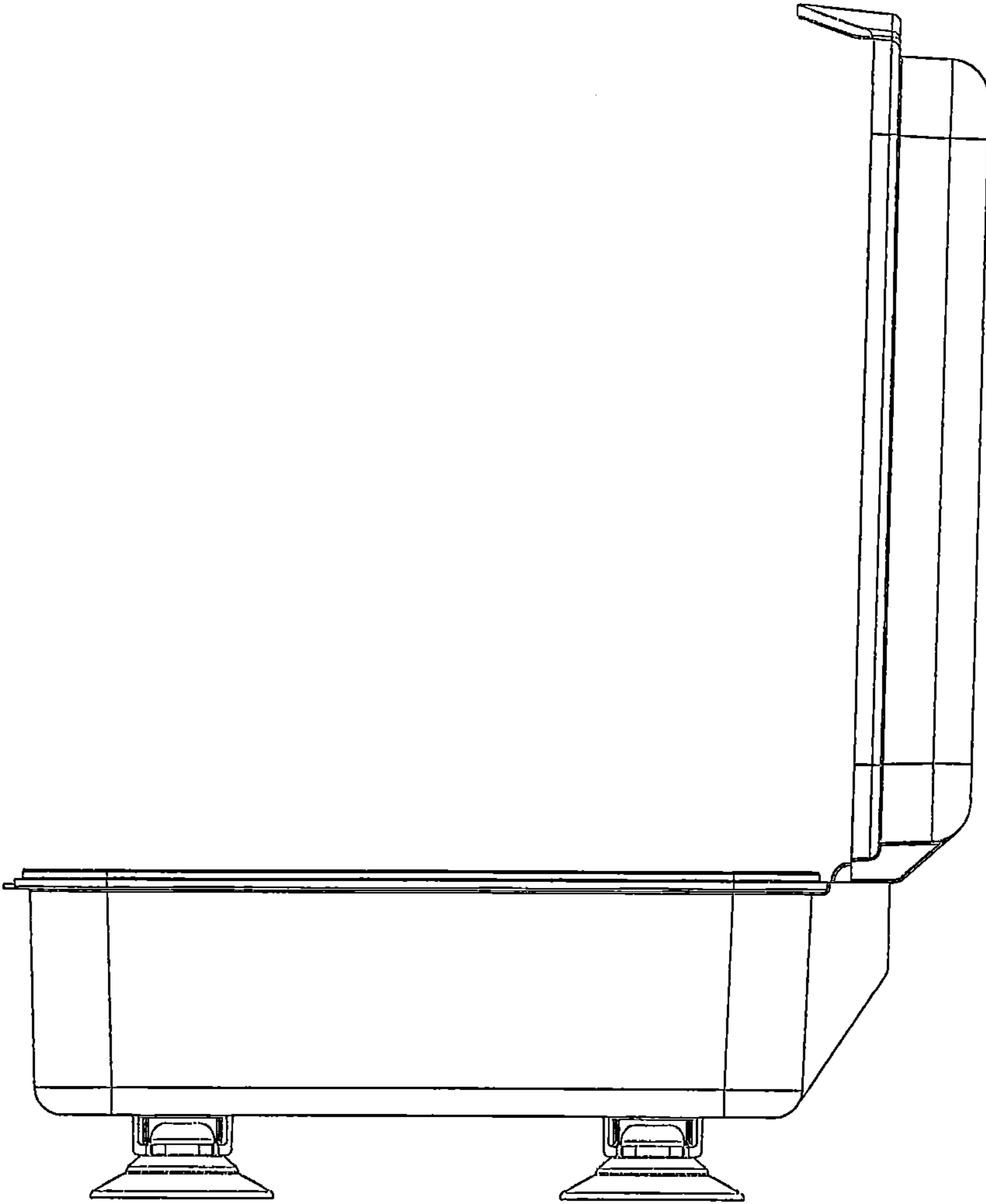


FIG. 8

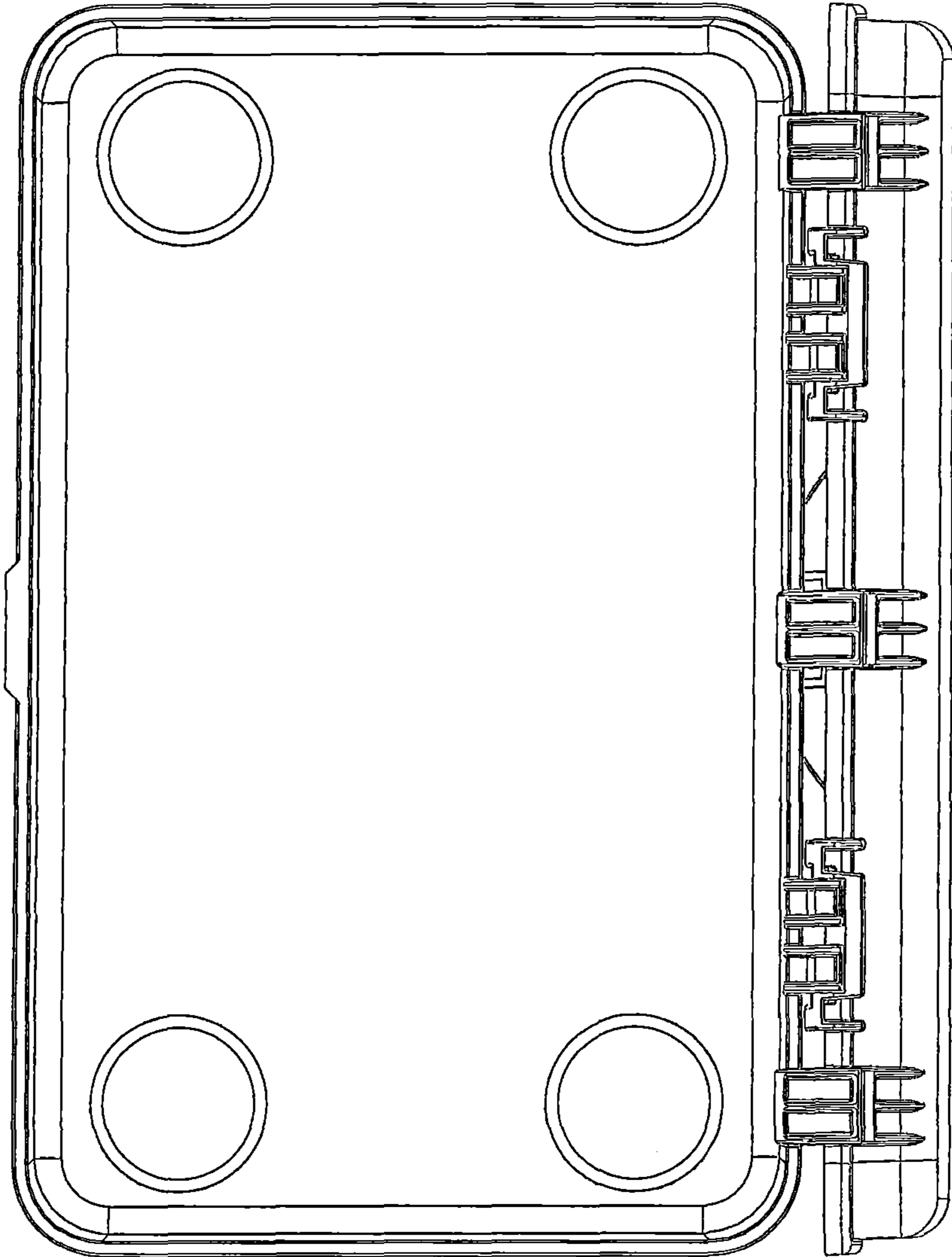


FIG. 9

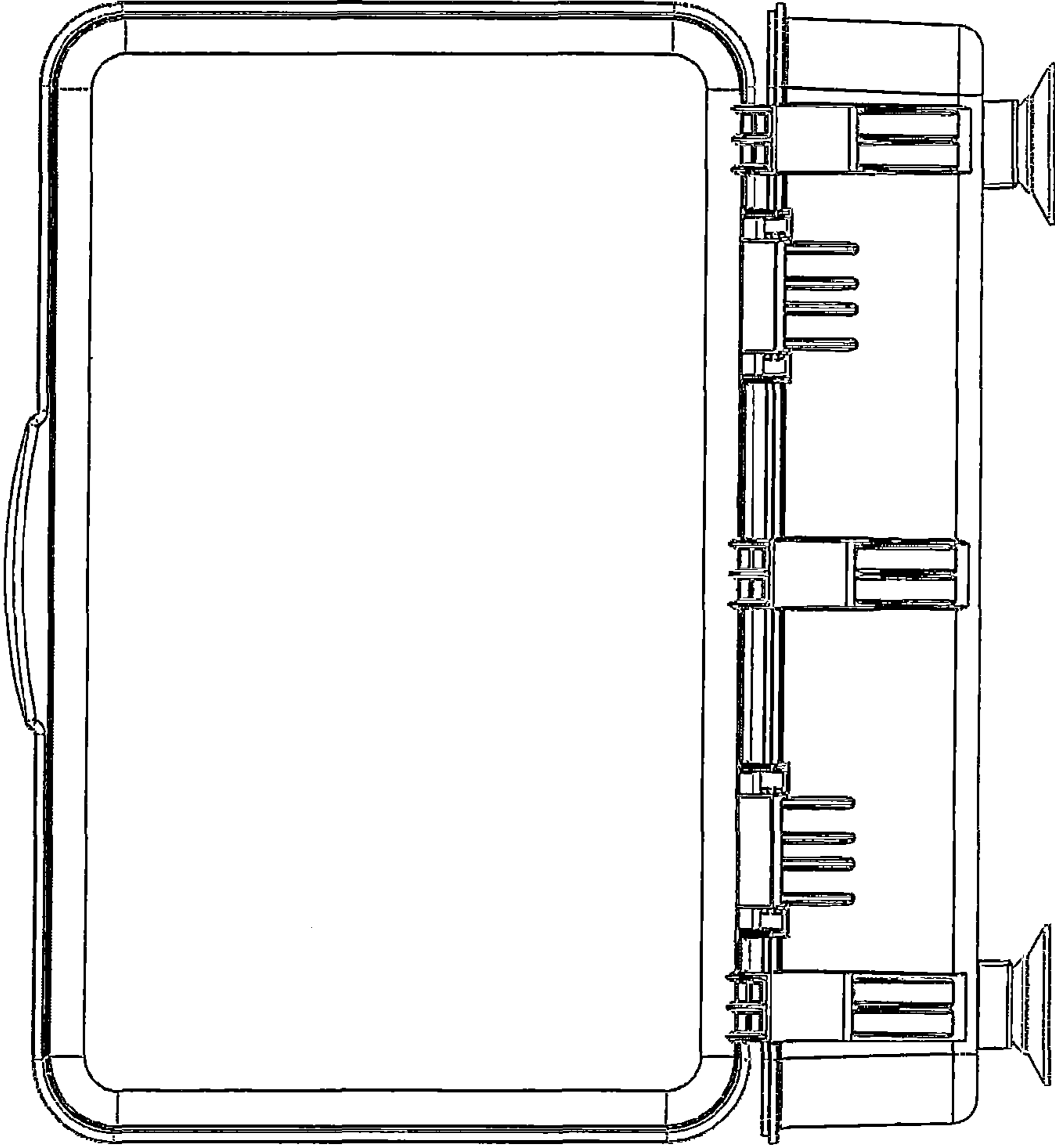


FIG. 10

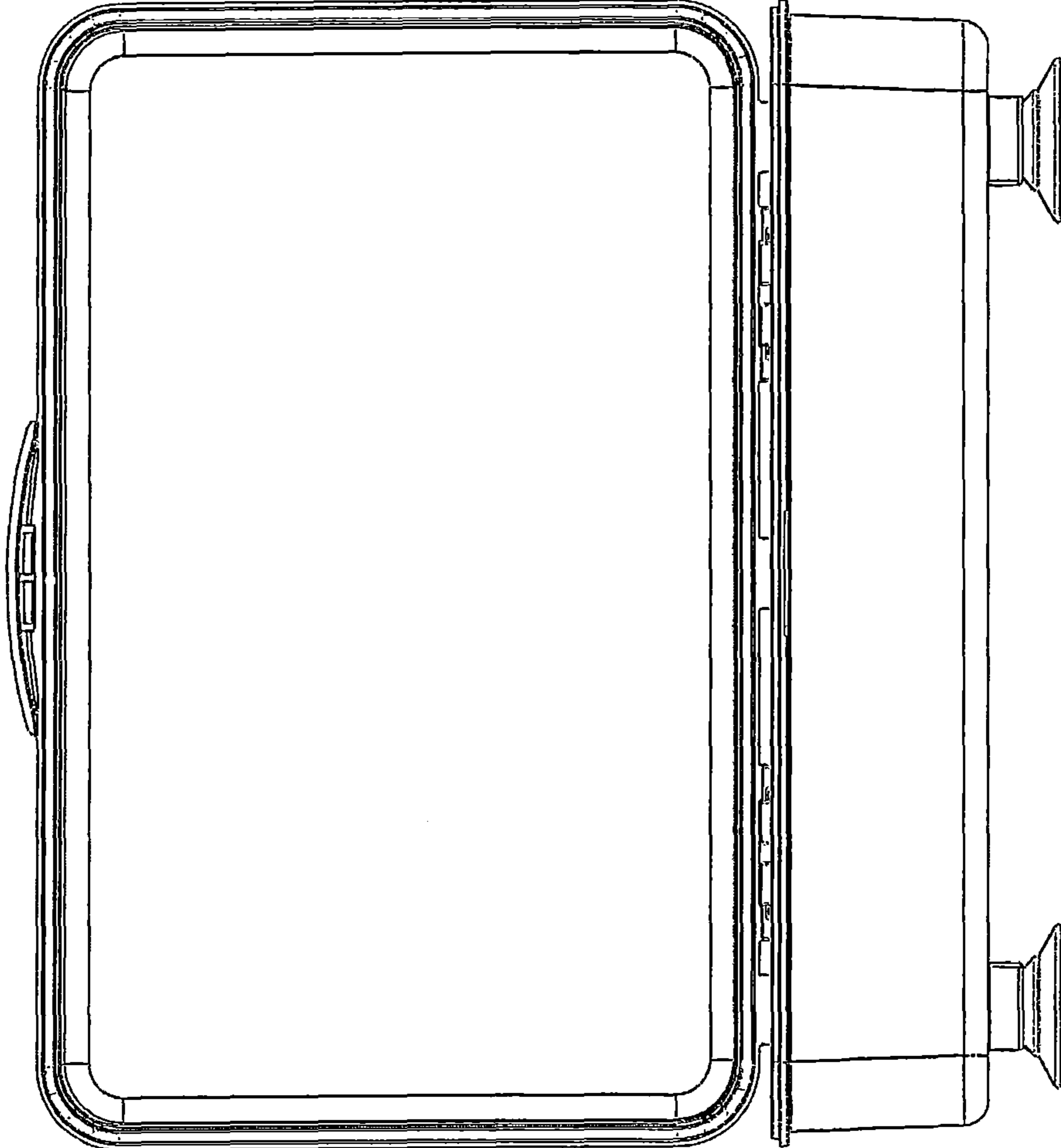


FIG. 11