



US00D684401S

(12) **United States Design Patent**  
**Gasser**

(10) **Patent No.:** **US D684,401 S**  
(45) **Date of Patent:** **\*\* Jun. 18, 2013**

(54) **DRAWER FRONT PANEL**

(75) Inventor: **Ingo Gasser**, Hochst (AT)

(73) Assignee: **Julius Blum GmbH**, Hochst (AT)

(\*\*) Term: **14 Years**

(21) Appl. No.: **29/401,435**

(22) Filed: **Sep. 12, 2011**

(30) **Foreign Application Priority Data**

May 19, 2011 (EM) ..... 001866211-0007

(51) **LOC (9) Cl.** ..... **06-02**

(52) **U.S. Cl.**  
USPC ..... **D6/510**

(58) **Field of Classification Search**  
USPC ..... D6/396-397, 421-426, 429-449,  
D6/477-480, 509-511; 312/184, 204, 224,  
312/227, 238, 265.1, 297, 330.1, 334.36,  
312/348.3, 348.4, 348.6  
See application file for complete search history.

(56) **References Cited**

U.S. PATENT DOCUMENTS

3,315,834	A *	4/1967	Nemlich	.....	220/4.01
3,612,639	A *	10/1971	Williams	.....	312/310
3,722,974	A *	3/1973	Hartman	.....	312/348.2
4,403,817	A *	9/1983	Aidar	.....	312/265.1
D298,708	S *	11/1988	Nygren	.....	D6/491
4,961,295	A *	10/1990	Kosch et al.	.....	52/36.5
5,927,841	A *	7/1999	Ferrari et al.	.....	312/348.1
5,971,516	A *	10/1999	Huber	.....	312/348.1
D425,734	S *	5/2000	Bauer	.....	D6/491
6,119,878	A *	9/2000	Zen	.....	211/94.01
6,580,030	B1 *	6/2003	Horne	.....	174/50
D496,814	S *	10/2004	Hong	.....	D6/510
6,860,574	B2 *	3/2005	Hwang et al.	.....	312/334.44

D520,148	S *	5/2006	Kendall et al.	.....	D25/138
D563,125	S *	3/2008	Held	.....	D6/510
D572,510	S *	7/2008	Bohler	.....	D6/510
D572,511	S *	7/2008	Bohler	.....	D6/510
D572,512	S *	7/2008	Kampl	.....	D6/510
D577,936	S *	10/2008	Held	.....	D6/510
D584,081	S *	1/2009	Vestweber	.....	D6/500
D587,939	S *	3/2009	Schloss	.....	D6/491
D593,214	S *	5/2009	Bohler	.....	D25/58
7,597,413	B2 *	10/2009	Fitz	.....	312/334.15
D605,882	S *	12/2009	Bohler	.....	D6/510
D617,583	S *	6/2010	Daino	.....	D6/491
7,780,253	B1 *	8/2010	Lu	.....	312/334.4
D625,941	S *	10/2010	Holzer	.....	D6/510
D638,237	S *	5/2011	Holzer	.....	D6/510
8,028,965	B2 *	10/2011	Chen et al.	.....	248/298.1
8,104,626	B2 *	1/2012	Huang et al.	.....	211/26
8,147,009	B1 *	4/2012	Rider	.....	312/257.1
2007/0181517	A1 *	8/2007	Perkins et al.	.....	211/94.01
2008/0061665	A1 *	3/2008	Lautenschlager	.....	312/333

\* cited by examiner

*Primary Examiner* — Kelley Donnelly

(74) *Attorney, Agent, or Firm* — Wenderoth, Lind & Ponack, L.L.P.

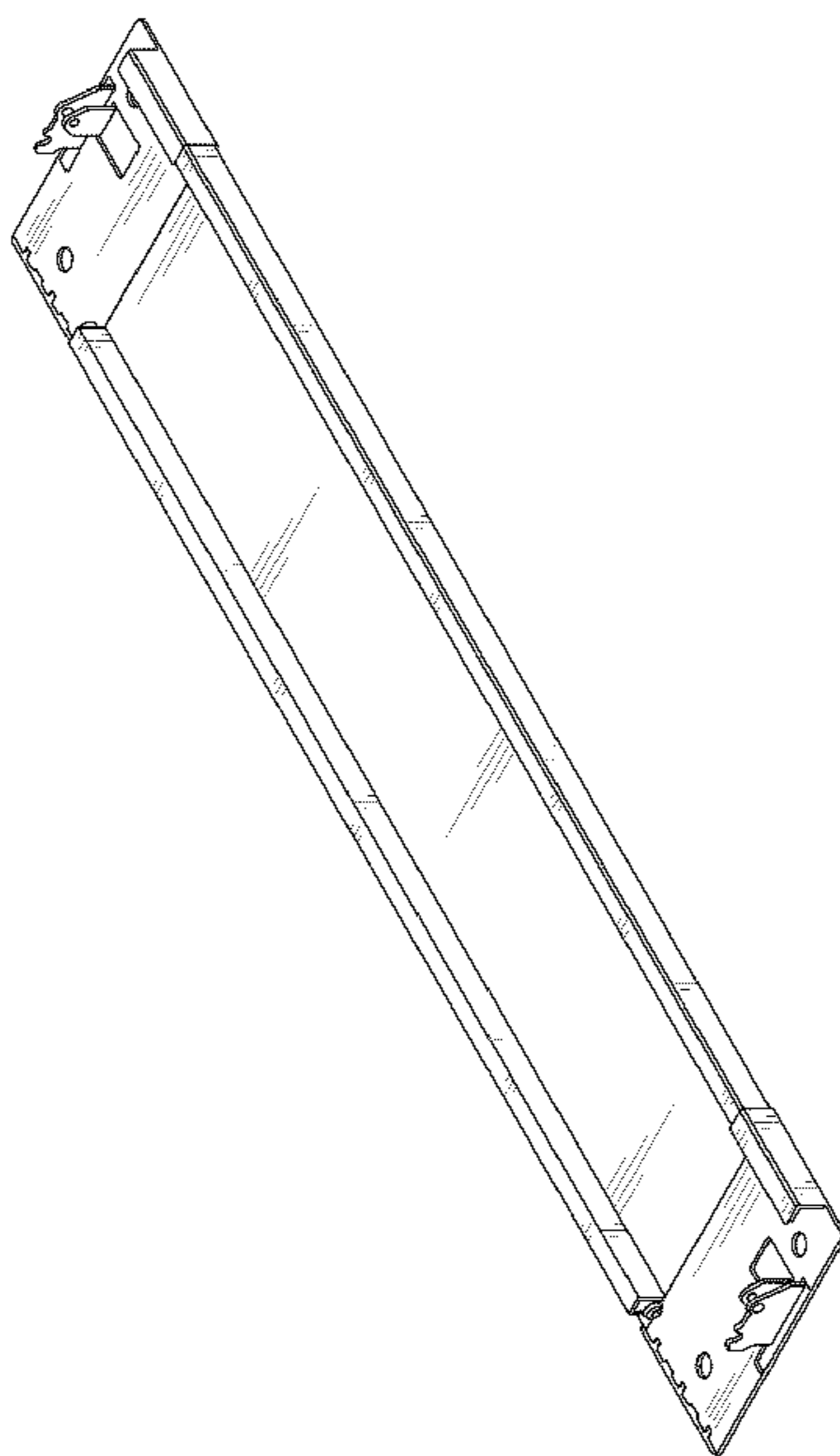
(57) **CLAIM**

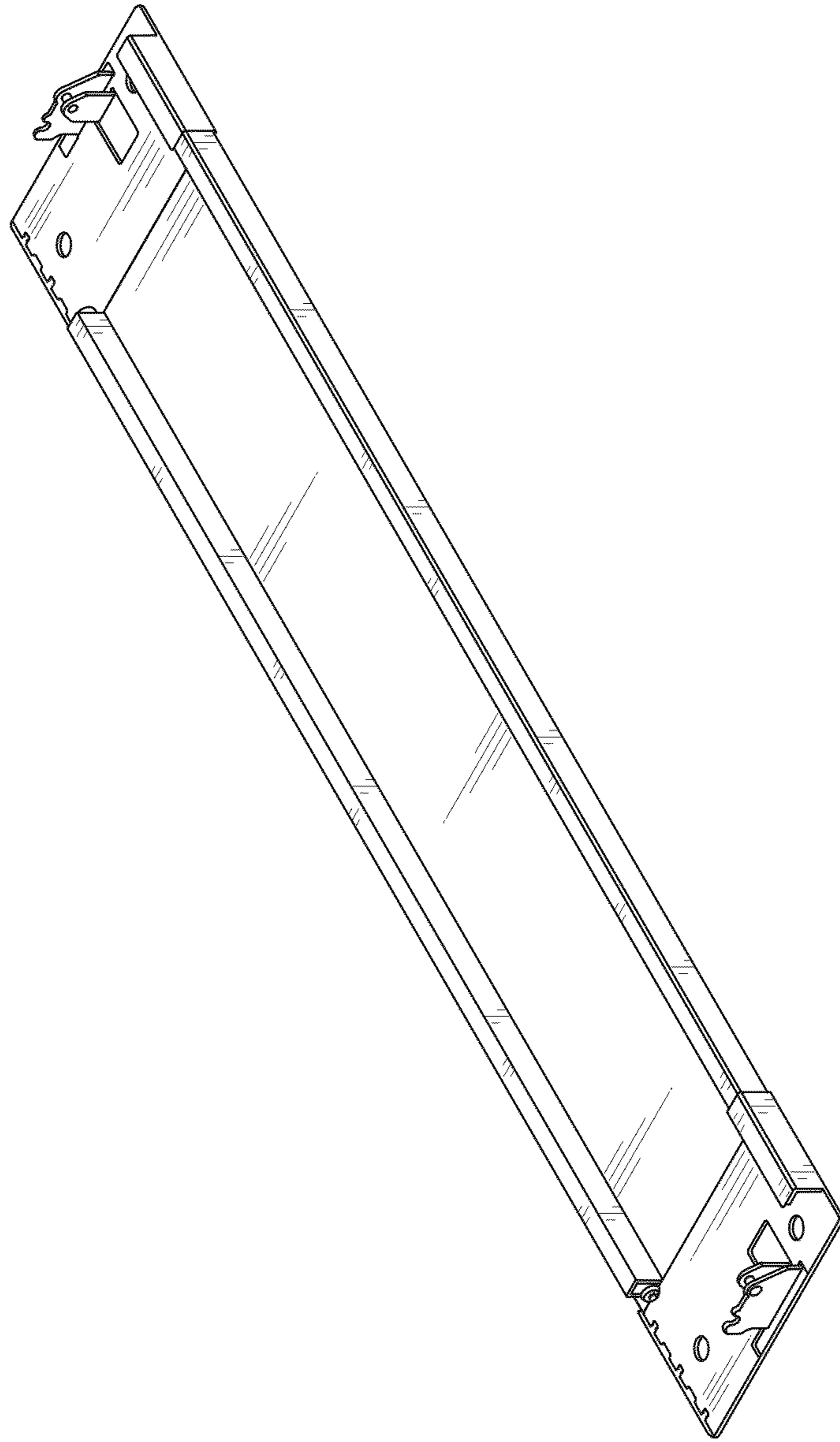
The ornamental design for a drawer front panel, as shown and described.

**DESCRIPTION**

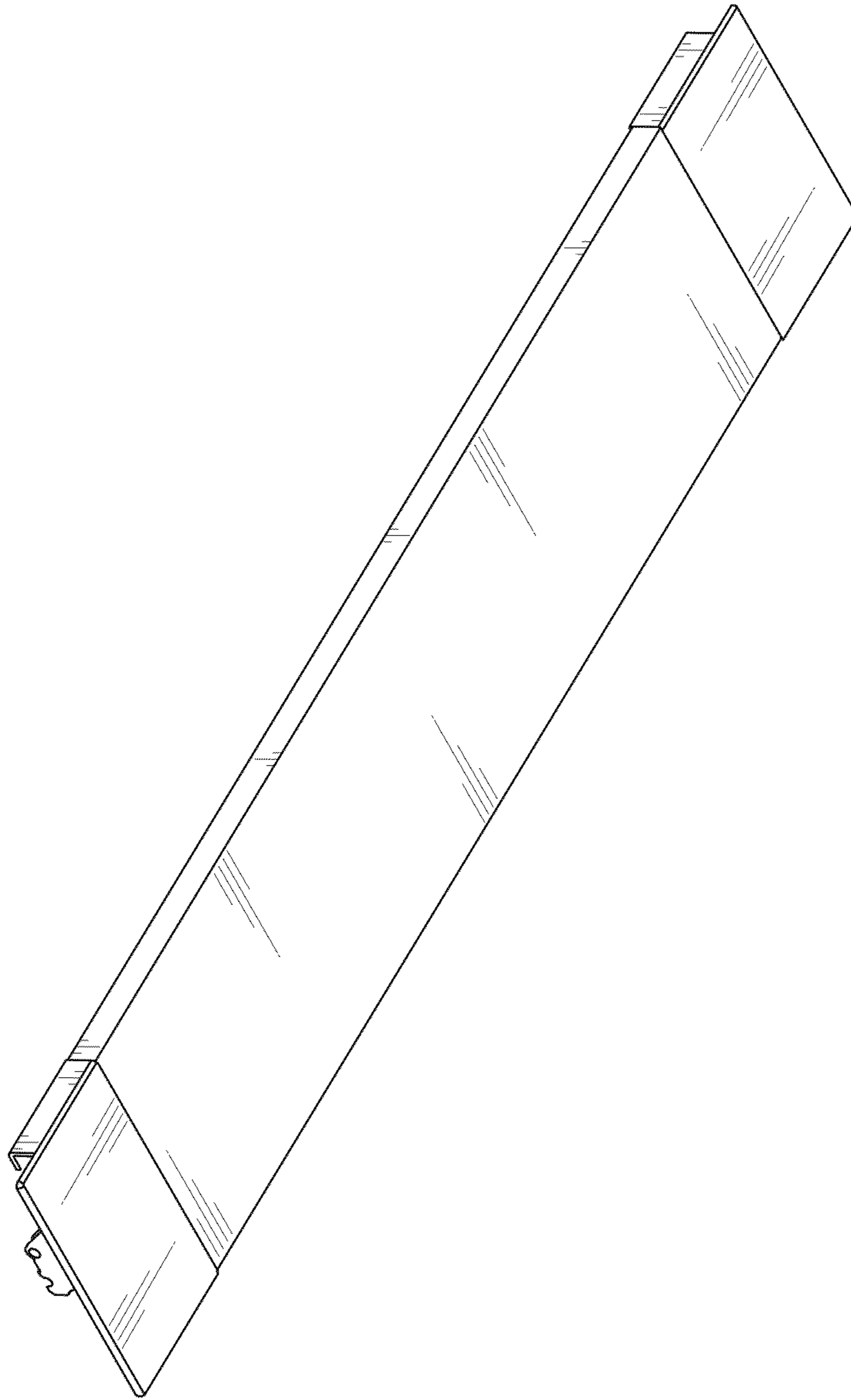
FIG. 1 is a rear perspective view of a drawer front panel;  
FIG. 2 is a front perspective view thereof;  
FIG. 3 is a rear view thereof;  
FIG. 4 is a front view thereof;  
FIG. 5 is a right side view thereof;  
FIG. 6 is a left side view thereof;  
FIG. 7 is a top view thereof; and,  
FIG. 8 is a bottom view thereof.

**1 Claim, 8 Drawing Sheets**

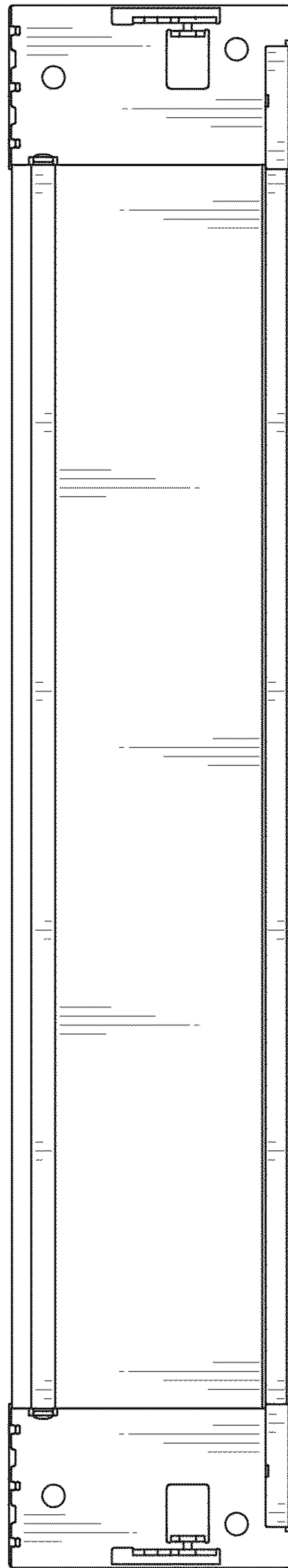




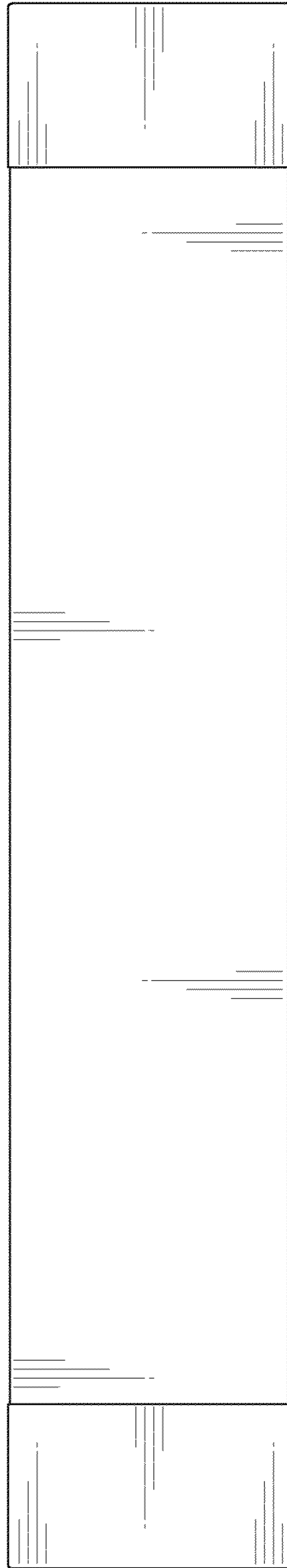
**FIG. 1**



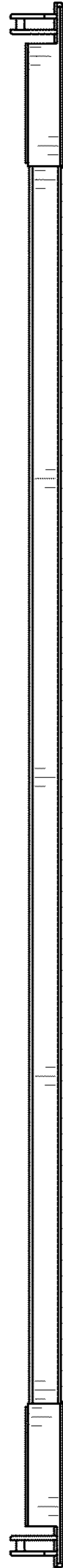
**FIG. 2**



**FIG. 3**



**FIG. 4**



**FIG. 5**



**FIG. 6**



***FIG. 7***





**FIG. 8**