



US00D684399S

(12) **United States Design Patent**
Gasser

(10) **Patent No.:** **US D684,399 S**
(45) **Date of Patent:** **** Jun. 18, 2013**

(54) **DRAWER FRONT PANEL**

(75) Inventor: **Ingo Gasser**, Hochst (AT)

(73) Assignee: **Julius Blum GmbH**, Hochst (AT)

(**) Term: **14 Years**

(21) Appl. No.: **29/401,430**

(22) Filed: **Sep. 12, 2011**

(30) **Foreign Application Priority Data**

May 19, 2011 (EM) 001866211-0003

(51) **LOC (9) Cl.** **06-02**

(52) **U.S. Cl.**
USPC **D6/510**

(58) **Field of Classification Search**
USPC D6/396–397, 421–426, 429–449,
D6/477–480, 509–511; 312/184, 204, 224,
312/227, 238, 265.1, 297, 330.1, 334.36,
312/348.3, 348.4, 348.6
See application file for complete search history.

(56) **References Cited**

U.S. PATENT DOCUMENTS

| | | | | | |
|-----------|------|---------|----------------|-------|------------|
| 3,315,834 | A * | 4/1967 | Nemlich | | 220/4.01 |
| 3,612,639 | A * | 10/1971 | Williams | | 312/310 |
| 3,722,974 | A * | 3/1973 | Hartman | | 312/348.2 |
| 4,403,817 | A * | 9/1983 | Aidar | | 312/265.1 |
| D298,708 | S * | 11/1988 | Nygren | | D6/491 |
| 4,961,295 | A * | 10/1990 | Kosch et al. | | 52/36.5 |
| 5,927,841 | A * | 7/1999 | Ferrari et al. | | 312/348.1 |
| 5,971,516 | A * | 10/1999 | Huber | | 312/348.1 |
| D425,734 | S * | 5/2000 | Bauer | | D6/491 |
| 6,119,878 | A * | 9/2000 | Zen | | 211/94.01 |
| 6,580,030 | B1 * | 6/2003 | Horne | | 174/50 |
| D496,814 | S * | 10/2004 | Hong | | D6/510 |
| 6,860,574 | B2 * | 3/2005 | Hwang et al. | | 312/334.44 |
| D520,148 | S * | 5/2006 | Kendall et al. | | D25/138 |
| D563,125 | S * | 3/2008 | Held | | D6/510 |

| | | | | | |
|--------------|------|---------|----------------|-------|------------|
| D572,510 | S * | 7/2008 | Bohler | | D6/510 |
| D572,511 | S * | 7/2008 | Bohler | | D6/510 |
| D572,512 | S * | 7/2008 | Kampl | | D6/510 |
| D577,936 | S * | 10/2008 | Held | | D6/510 |
| D584,081 | S * | 1/2009 | Vestweber | | D6/500 |
| D587,939 | S * | 3/2009 | Schloss | | D6/491 |
| D593,214 | S * | 5/2009 | Bohler | | D25/58 |
| 7,597,413 | B2 * | 10/2009 | Fitz | | 312/334.15 |
| D605,882 | S * | 12/2009 | Bohler | | D6/510 |
| D617,583 | S * | 6/2010 | Daino | | D6/491 |
| 7,780,253 | B1 * | 8/2010 | Lu | | 312/334.4 |
| D625,941 | S * | 10/2010 | Holzer | | D6/510 |
| D638,237 | S * | 5/2011 | Holzer | | D6/510 |
| 8,028,965 | B2 * | 10/2011 | Chen et al. | | 248/298.1 |
| 8,104,626 | B2 * | 1/2012 | Huang et al. | | 211/26 |
| 8,147,009 | B1 * | 4/2012 | Rider | | 312/257.1 |
| 2004/0159067 | A1 * | 8/2004 | Perkins et al. | | 52/588.1 |
| 2006/0091094 | A1 * | 5/2006 | Schuberth | | 211/94.01 |
| 2007/0181517 | A1 * | 8/2007 | Perkins et al. | | 211/94.01 |
| 2008/0061665 | A1 * | 3/2008 | Lautenschlager | | 312/333 |

* cited by examiner

Primary Examiner — Kelley Donnelly

(74) *Attorney, Agent, or Firm* — Wenderoth, Lind & Ponack, L.L.P.

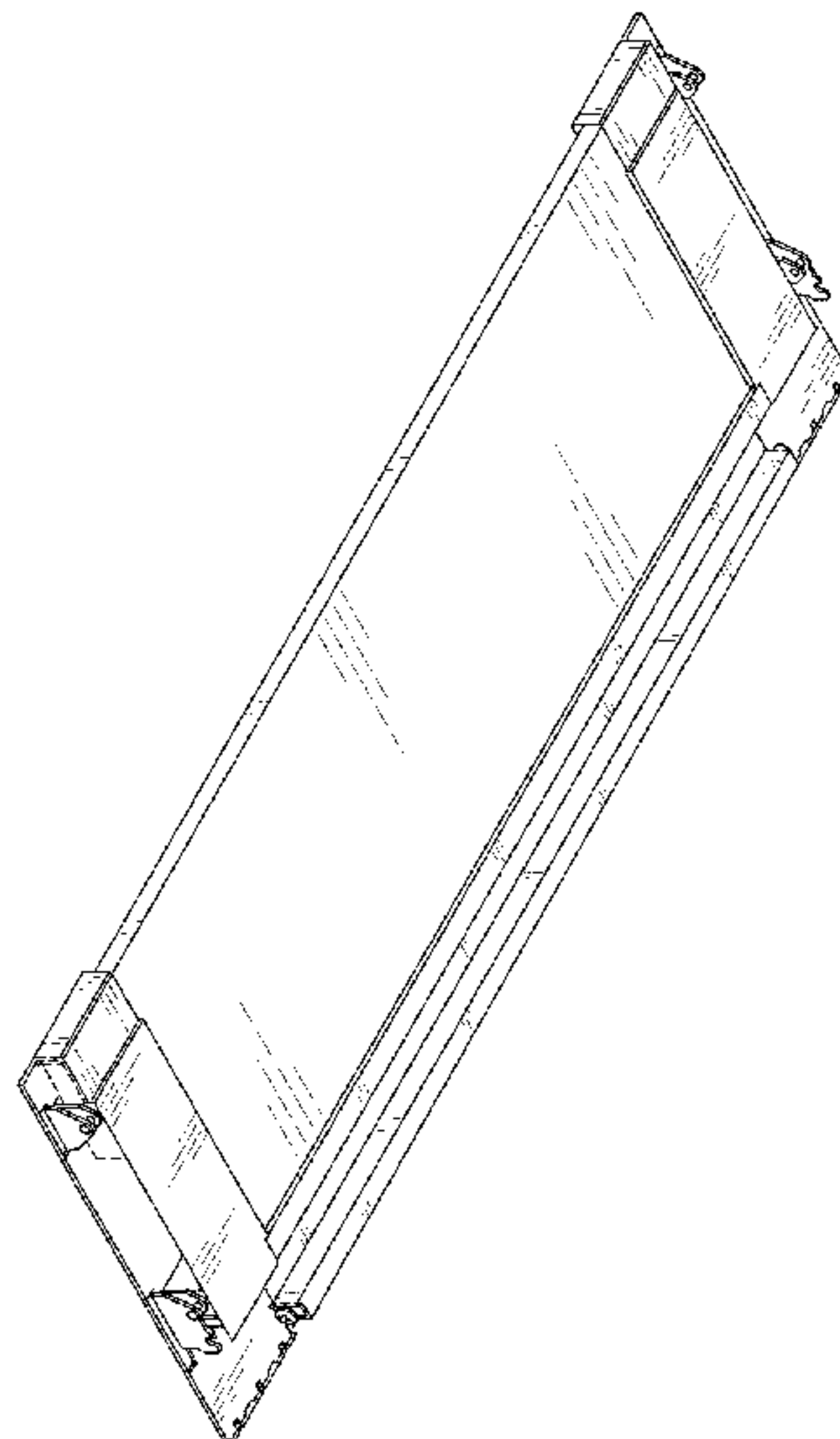
(57) **CLAIM**

The ornamental design for a drawer front panel, as shown and described.

DESCRIPTION

FIG. 1 is a rear perspective view of a drawer front panel;
FIG. 2 is a front perspective view thereof;
FIG. 3 is a front view thereof;
FIG. 4 is a rear view thereof;
FIG. 5 is a right side view thereof;
FIG. 6 is a left side view thereof;
FIG. 7 is a top view thereof; and,
FIG. 8 is a bottom view thereof.
The broken lines shown in the drawings form no part of the claimed design.

1 Claim, 8 Drawing Sheets



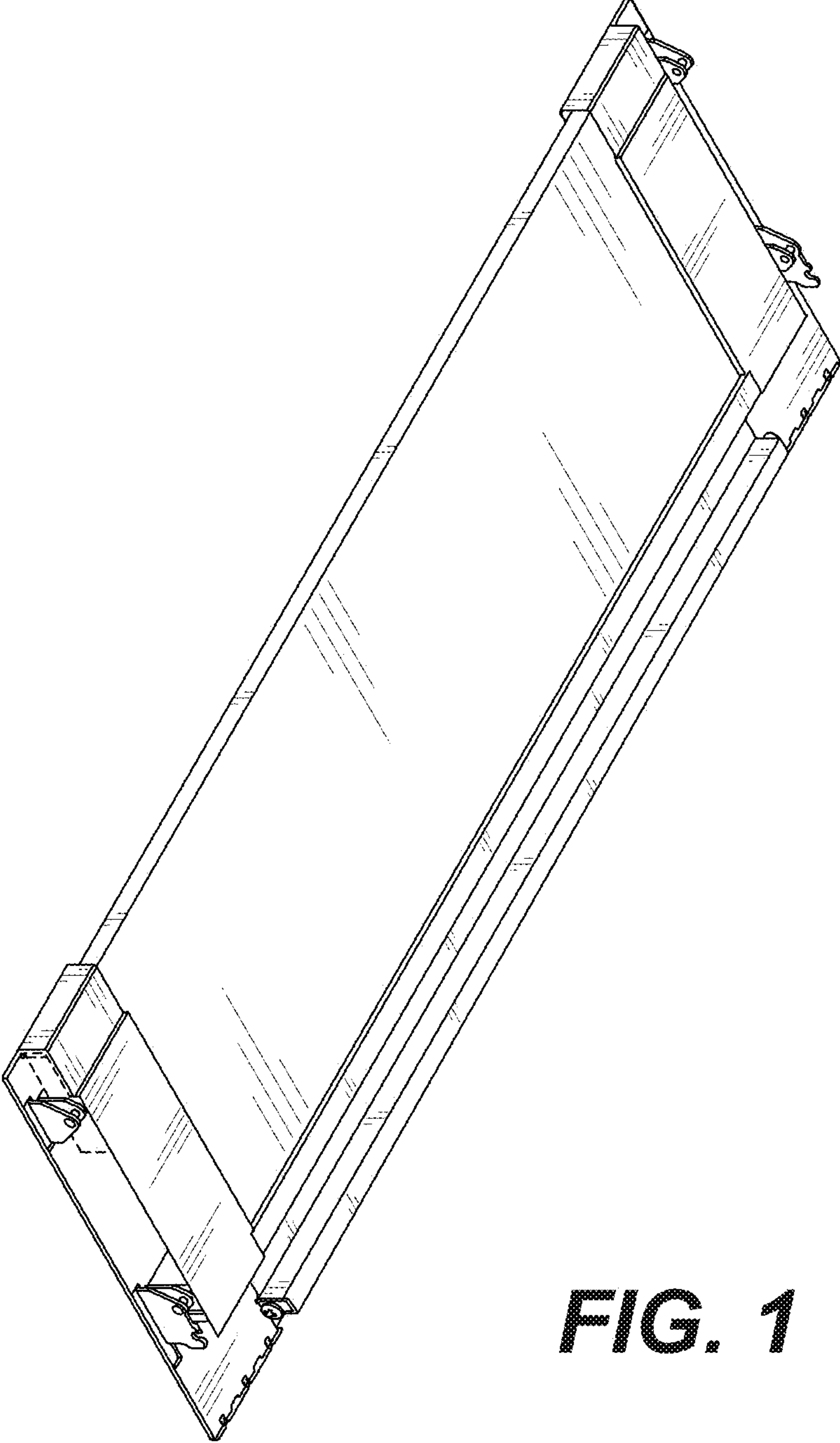


FIG. 1

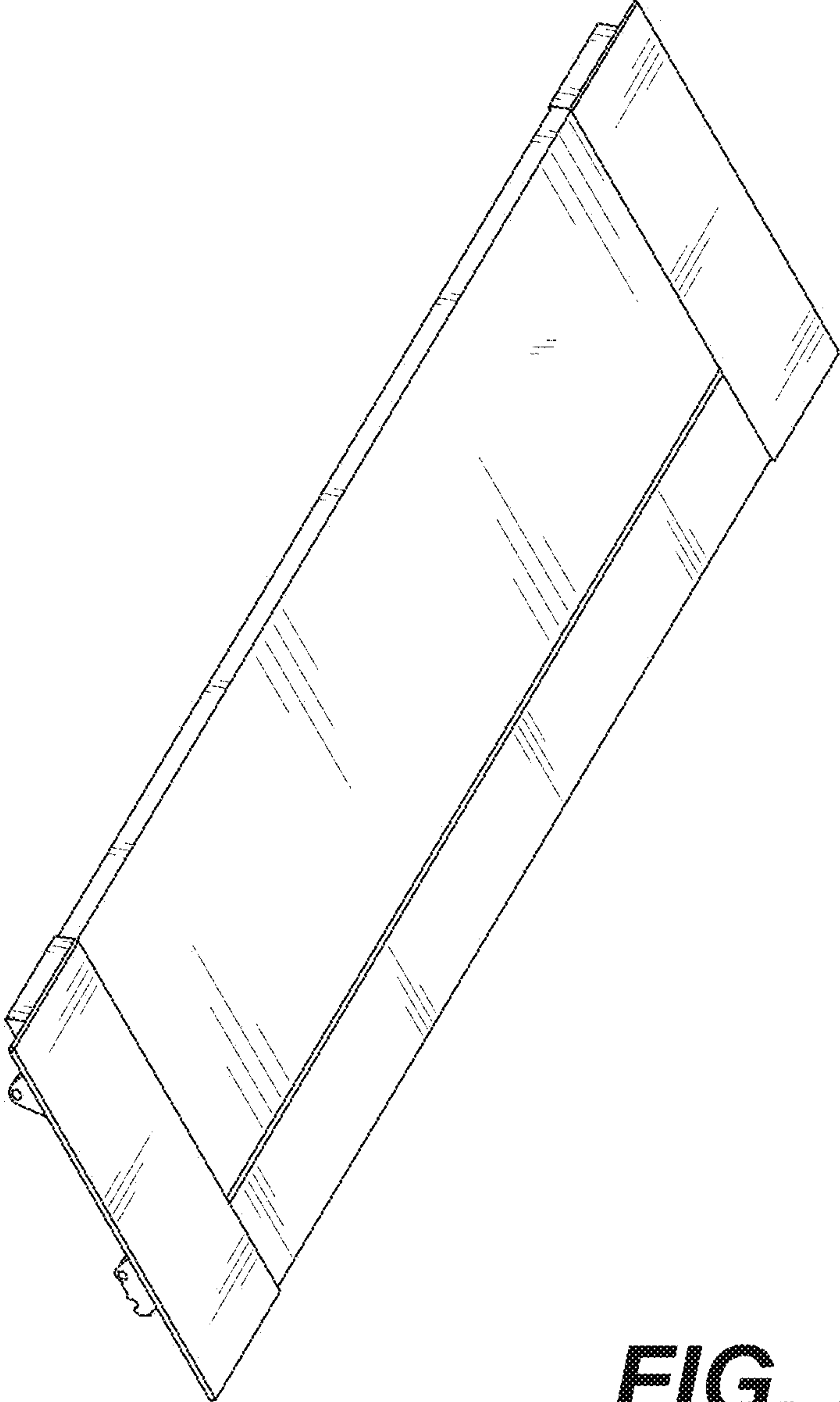


FIG. 2

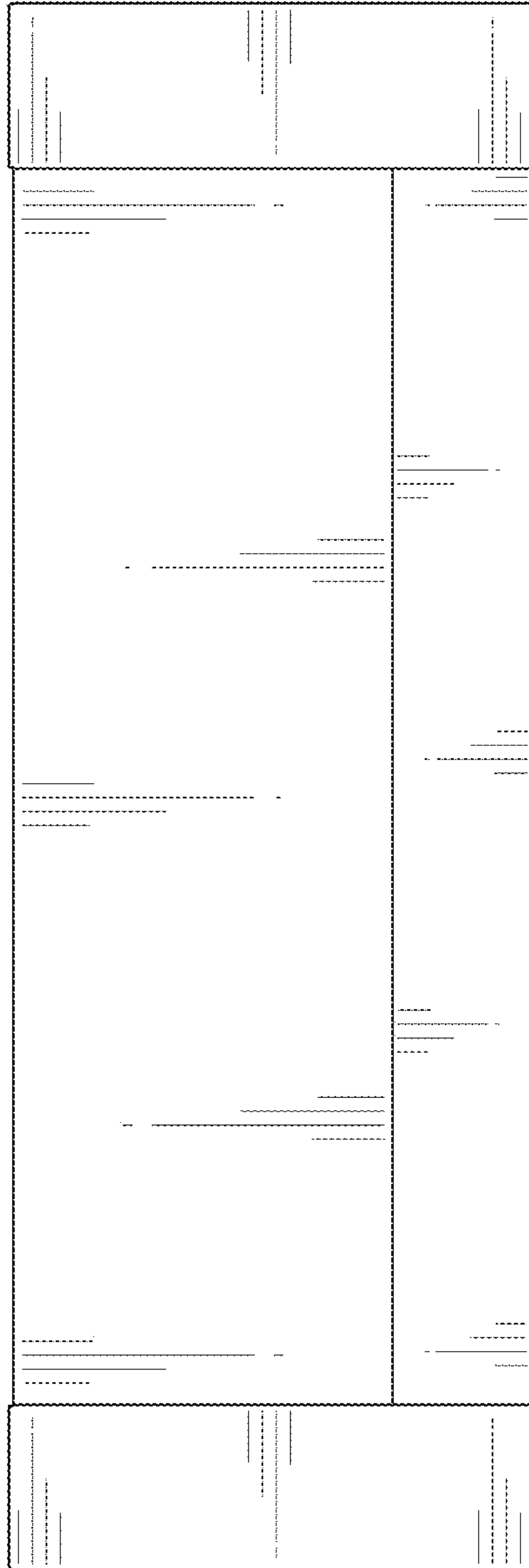


FIG. 3

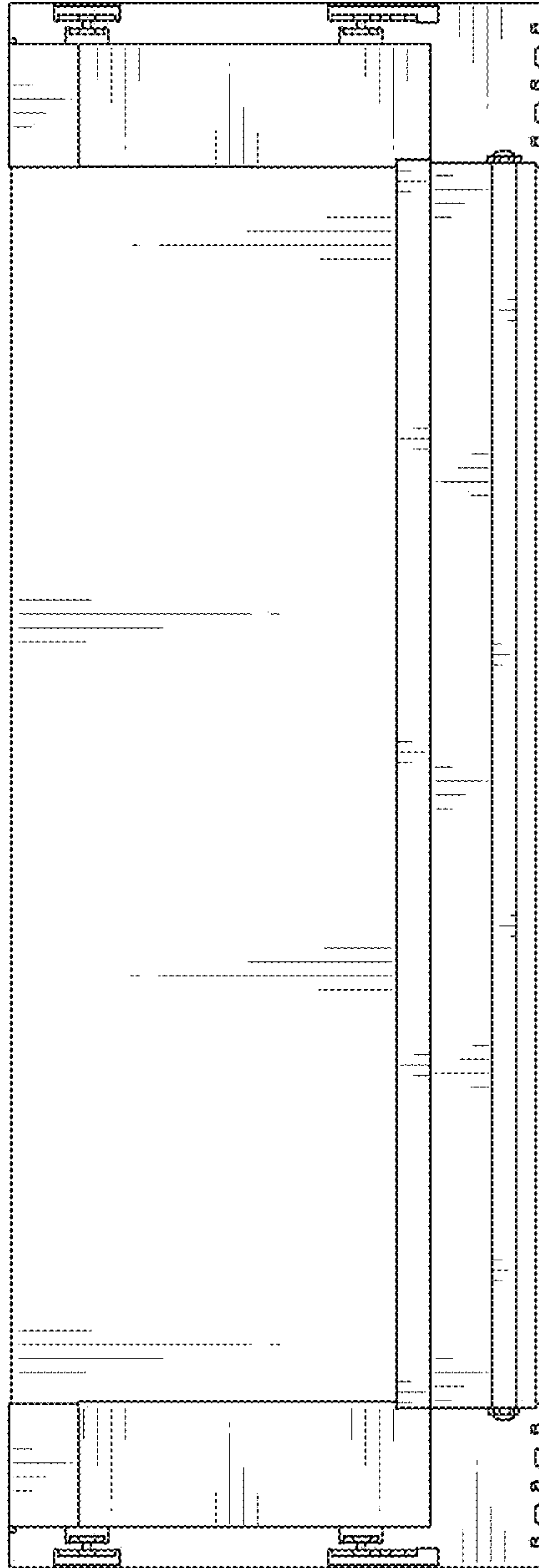


FIG. 4



FIG. 5



FIG. 6

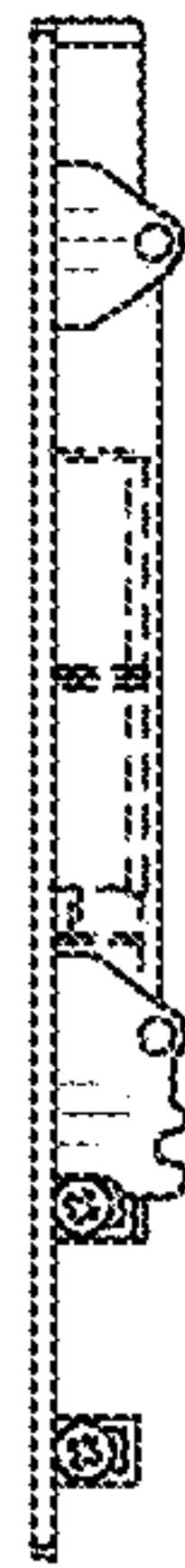


FIG. 7

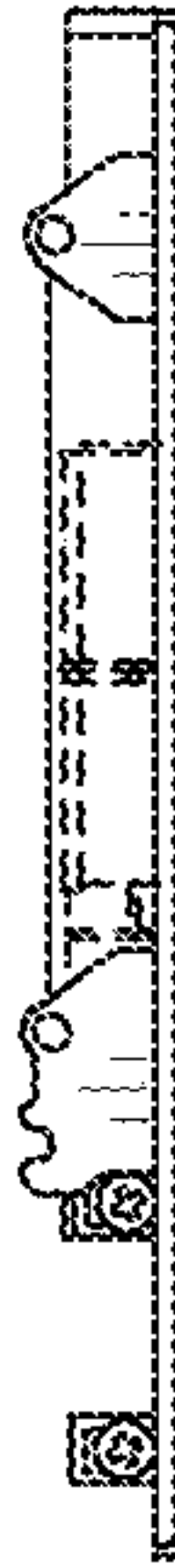


FIG. 8