



US00D684398S

(12) **United States Design Patent**
Pedersen et al.

(10) **Patent No.:** **US D684,398 S**
(45) **Date of Patent:** **** Jun. 18, 2013**

(54) **CHAIR**

(71) Applicant: **Target Brands, Inc.**, Minneapolis, MN (US)

(72) Inventors: **Sara L. Pedersen**, Minneapolis, MN (US); **Katherine R. Wittenberg**, Saint Paul, MN (US); **Chad M. Bogdan**, Saint Paul, MN (US); **George K. Smithwick**, Blaine, MN (US)

(73) Assignee: **Target Brands, Inc.**, Minneapolis, MN (US)

(**) Term: **14 Years**

(21) Appl. No.: **29/438,927**

(22) Filed: **Dec. 5, 2012**

(51) **LOC (9) Cl.** **06-01**

(52) **U.S. Cl.**
USPC **D6/500**

(58) **Field of Classification Search**
USPC D6/334-336, 344-353, 360-381, D6/388, 403, 491-502, 692, 708, 716, 716.2-716.4; 297/16.1, 22, 31, 35, 217.1, 297/228.12, 239, 256.16, 271.6, 284.4-284.5, 297/291, 297, 302.4, 411.2, 411.27-411.29, 297/411.43, 423.1, 423.12, 440.11, 440.15, 297/440.24, 448.1, 451.4, 452.13, 452.19, 297/452.21, 452.27, 452.29, 452.3, 452.41, 297/452.56, 452.64

See application file for complete search history.

(56) **References Cited**

U.S. PATENT DOCUMENTS

D316,491 S * 4/1991 Frinier D6/379
D342,840 S * 1/1994 Doughty D6/376

(Continued)

OTHER PUBLICATIONS

The Home Depot, "Hampton Bay Andrews 7-Piece Patio Dining Set," 1 page, <http://www.homedepot.com/Outdoors-Patio-Furniture->

Dining-Sets/h_d1/N-25ecodZ5yclvZbxdr/R-202929219/h_d2/ProductDisplay? catalogId=10053&langId=-1&storeId=10051#.UD5odaCwUaU, at least as early as Aug. 2012.

(Continued)

Primary Examiner — Ricky Pham

(74) *Attorney, Agent, or Firm* — Leanne Taveggia Farrell; Westman, Champlin & Kelly, P.A.

(57) **CLAIM**

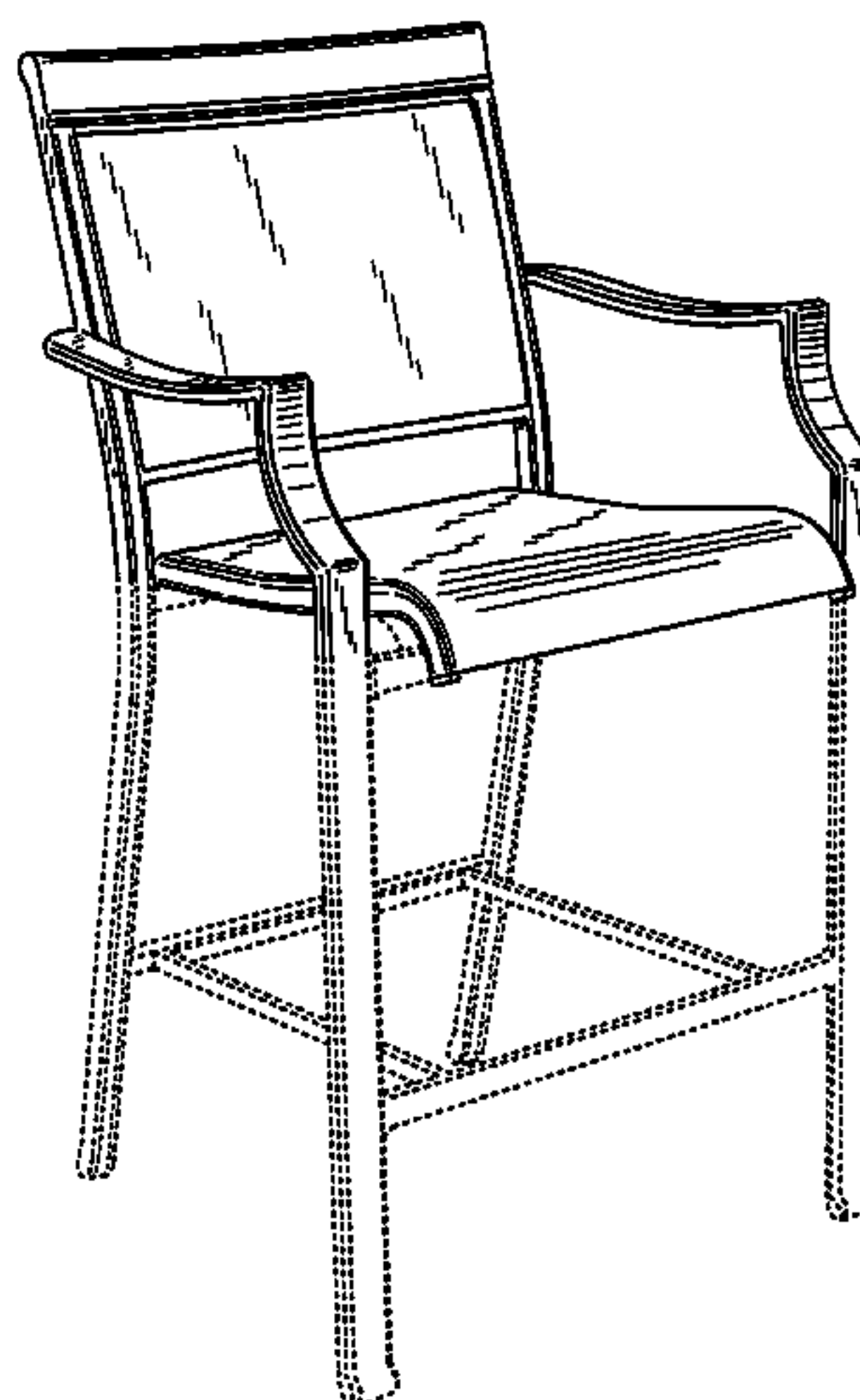
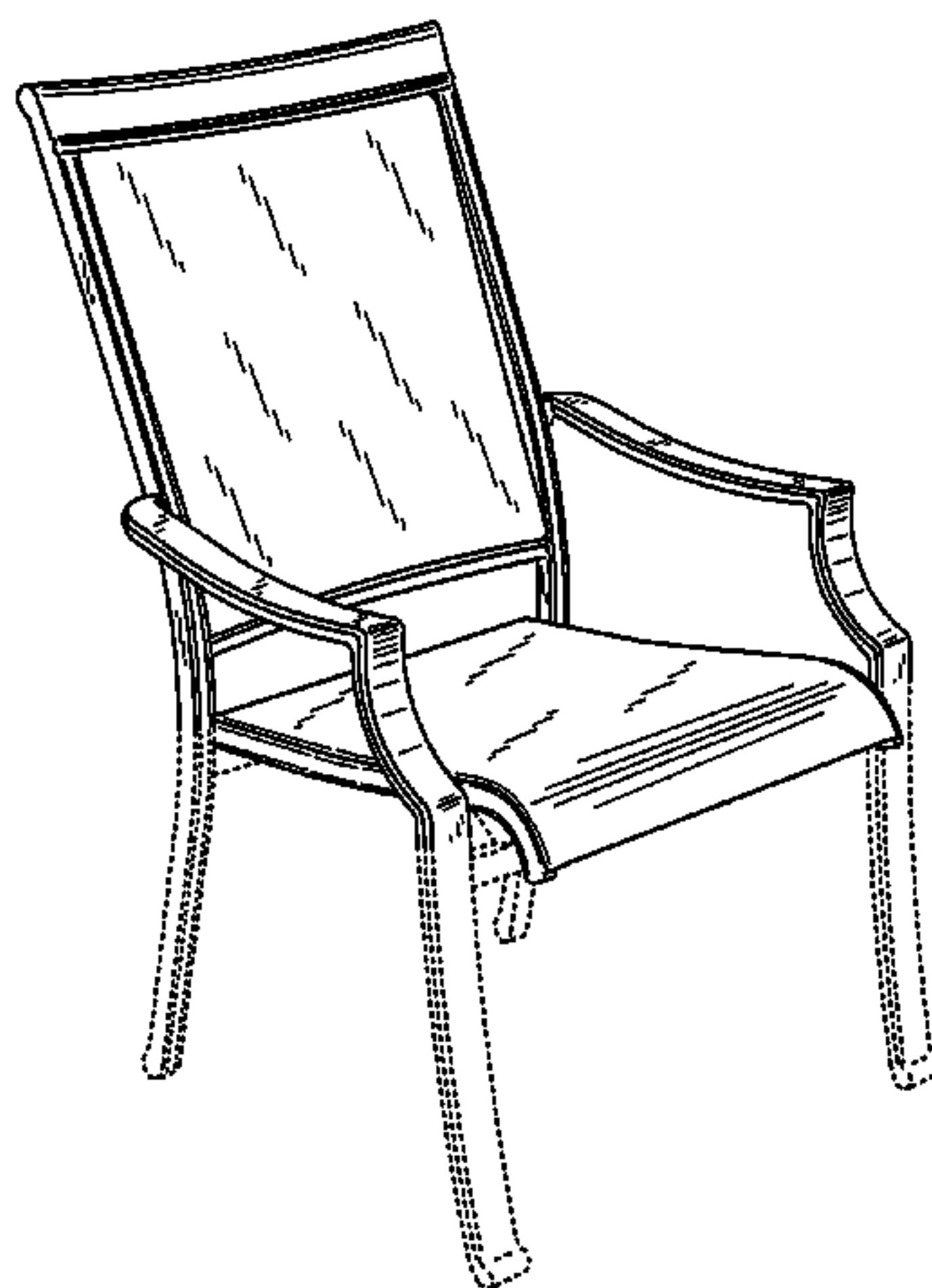
The ornamental design for a chair, as shown and described.

DESCRIPTION

FIG. 1 is a perspective view of a first embodiment of a chair; FIG. 2 is a front view thereof; FIG. 3 is a rear view thereof; FIG. 4 is a left side view thereof; FIG. 5 is a right side view thereof; FIG. 6 is a top view thereof; FIG. 7 is a bottom view thereof; FIG. 8 is a perspective view of a second embodiment thereof; FIG. 9 is a front view of FIG. 8; FIG. 10 is a rear view of FIG. 8; FIG. 11 is a right side view of FIG. 8; FIG. 12 is a left side view of FIG. 8; FIG. 13 is a top view of FIG. 8; FIG. 14 is a bottom view of FIG. 8; FIG. 15 is a perspective view of a third embodiment thereof; FIG. 16 is a front view of FIG. 15; FIG. 17 is rear view of FIG. 15; FIG. 18 is a left side view of FIG. 15; FIG. 19 is a right side view of FIG. 15; FIG. 20 is a top view of FIG. 15; and, FIG. 21 is a bottom view of FIG. 15.

The broken lines shown in the drawings are included for purposes of illustrating portions of the chair and form no part of the claimed design.

1 Claim, 21 Drawing Sheets



U.S. PATENT DOCUMENTS

D355,780	S	2/1995	Noll	
D356,450	S *	3/1995	Weiss	D6/376
D364,972	S *	12/1995	Caldwell	D6/369
D376,055	S	12/1996	Hand et al.	
D376,938	S *	12/1996	Caldwell	D6/501
D388,969	S *	1/1998	Goodman	D6/376
D421,684	S	3/2000	Saul	
D426,718	S *	6/2000	Gaylord et al.	D6/376
D426,975	S *	6/2000	Gaylord et al.	D6/376
D440,065	S *	4/2001	Goodman	D6/376
D448,195	S *	9/2001	Caldwell	D6/376
D455,279	S *	4/2002	Tseng	D6/376
D486,971	S *	2/2004	Tseng	D6/376
D486,973	S *	2/2004	Tseng	D6/376
D491,738	S *	6/2004	Vanderminden	D6/376
D502,819	S *	3/2005	Tseng	D6/376
D517,340	S *	3/2006	Tseng	D6/376
D524,567	S *	7/2006	Vanderminden	D6/376
D526,800	S *	8/2006	Tseng	D6/370
D528,313	S *	9/2006	Chen	D6/360
D540,056	S *	4/2007	Doughty	D6/370
D542,044	S *	5/2007	Doughty	D6/370
D572,494	S *	7/2008	Lowsky	D6/370
D574,621	S *	8/2008	Lowsky	D6/370
D645,673	S *	9/2011	Buehler	D6/376
D660,044	S *	5/2012	Starck	D6/379
D675,464	S *	2/2013	Pedersen et al.	D6/716

OTHER PUBLICATIONS

A1 American Metal, "Patio Chair Slings," 1 page, http://www.allamericanmetal.com/resling_html, at least as early as Aug. 2012.

Kmart, "Garden Oasis Cooper 5 Pc. High Dining Set," 1 page, <http://www.kmart.com/garden-oasis-cooper-5-pc-high-dining-set/p-028C047113301B?prdNo=1&blockNo=1&blockType=G1>, at least as early as Aug. 2012.

B2BAGE.com, "Sling Chair," 1 page, <http://herofurniture.b2bage.com/product-waiting-chairs/1682767/sling-chair.html>, at least as early as Aug. 2012.

Target, "Home Villa 2 Piece Sling Patio Swivel Dining Chair Set," 1 page, <http://www.target.com/p/target-home-villa-2-piece-sling-patio-swivel-dining-chair-set/-/A-12853254>, at least as early as Aug. 2012.

Target, "Room Essentials Nicollet Red Stacking Sling Chair," 1 page, <http://www.target.com/p/room-essentials-nicollet-red-stacking-sling-chair/-/A-14088415>, at least as early as Aug. 2012.

Sears, "Agio Panorama 9 Pc. Patio Dining Set," 1 page, <http://www.sears.com/agio-panorama-9-pc-patio-dining-set/p-07180259000P?prdNo=2&blockNo=2&blockType=G2>, at least as early as Aug. 2012.

* cited by examiner

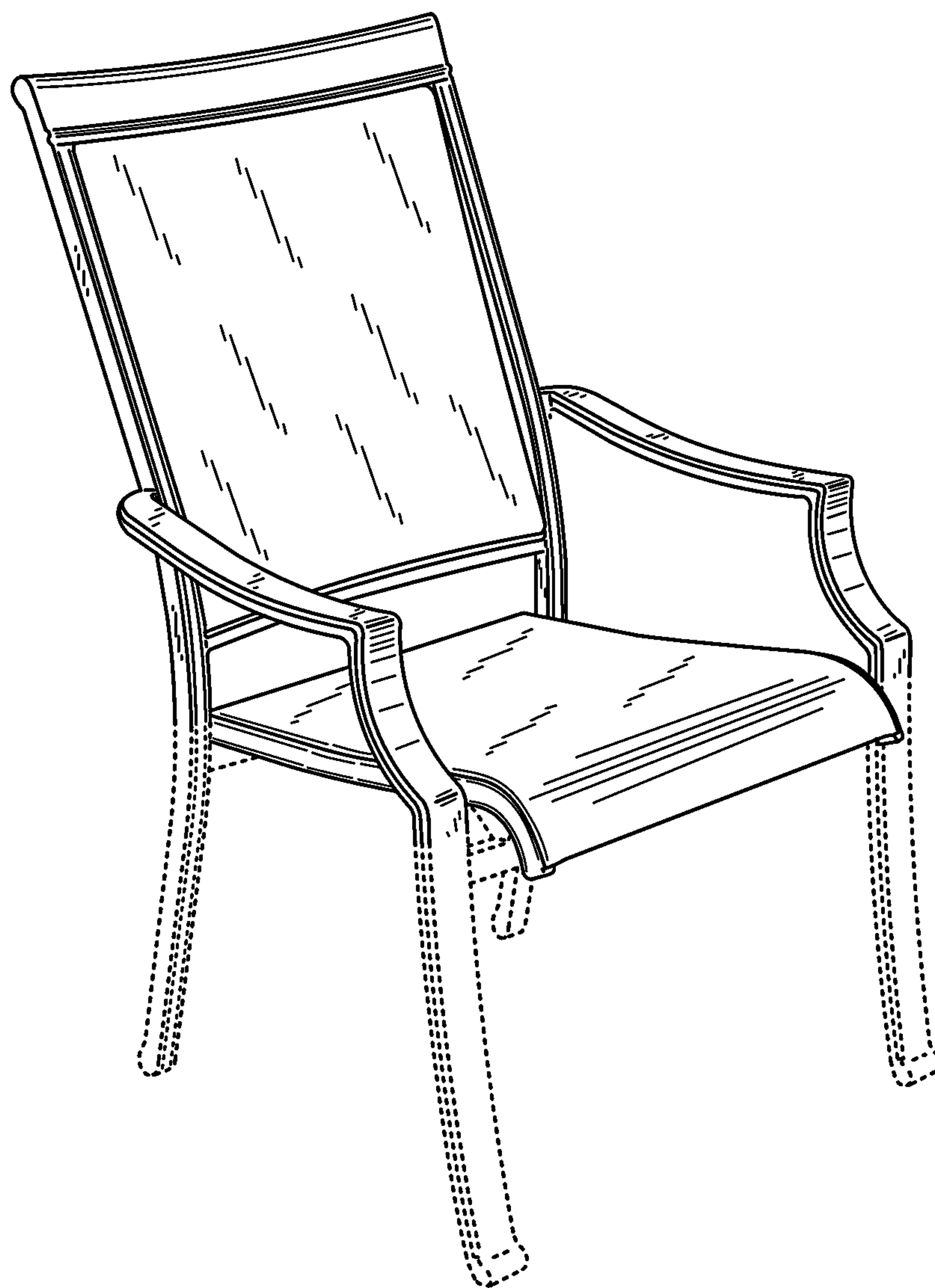


Fig. 1

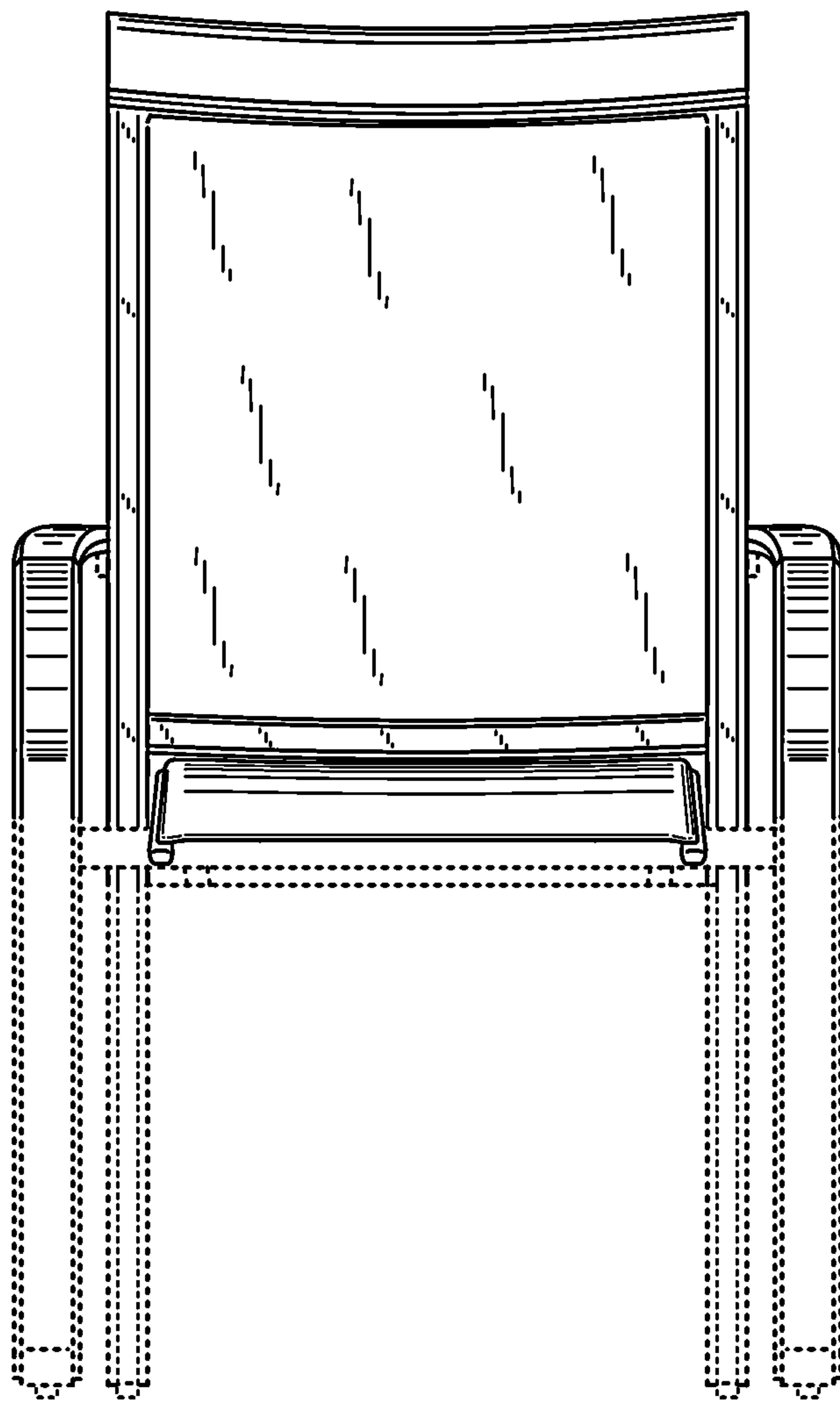


Fig. 2

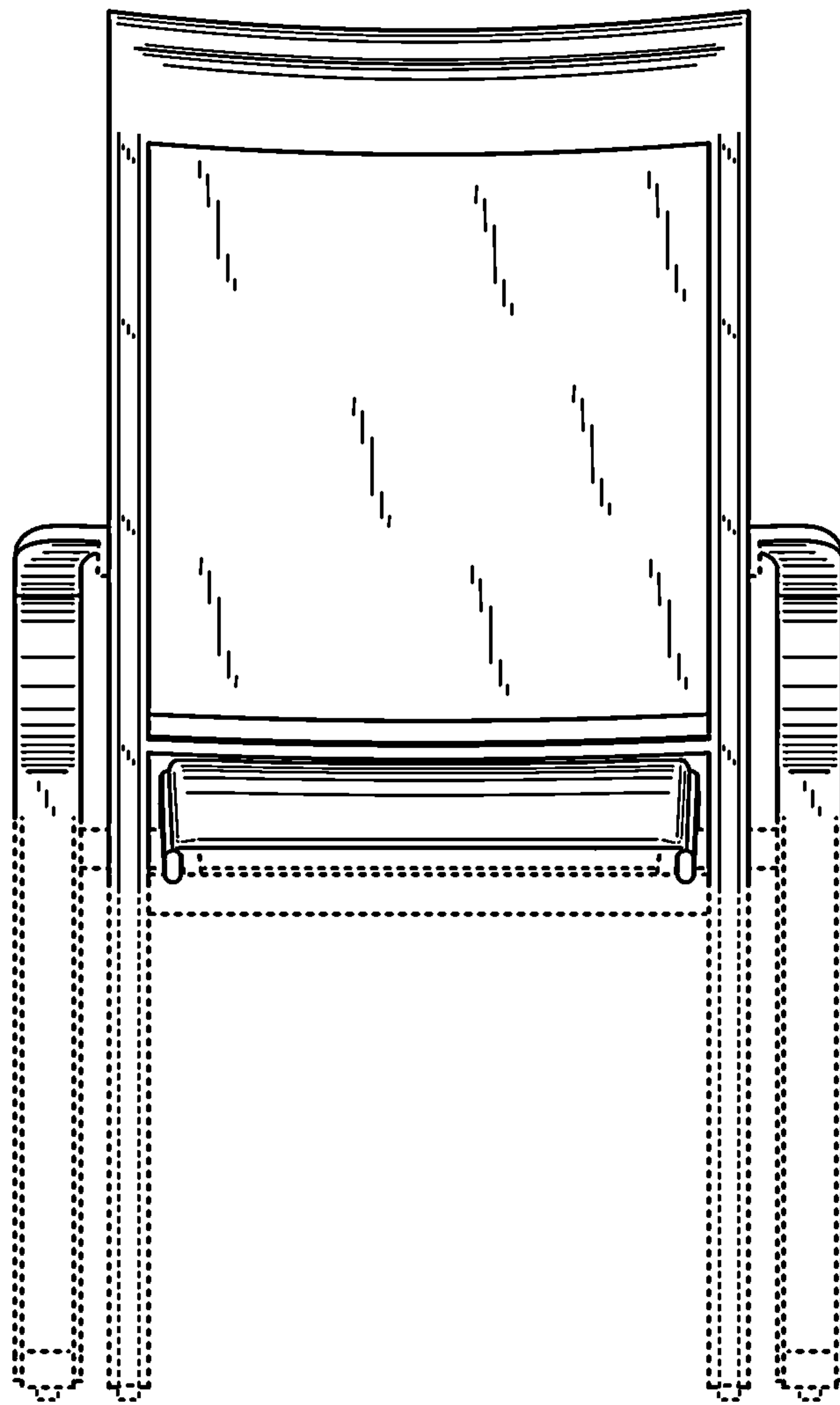


Fig. 3

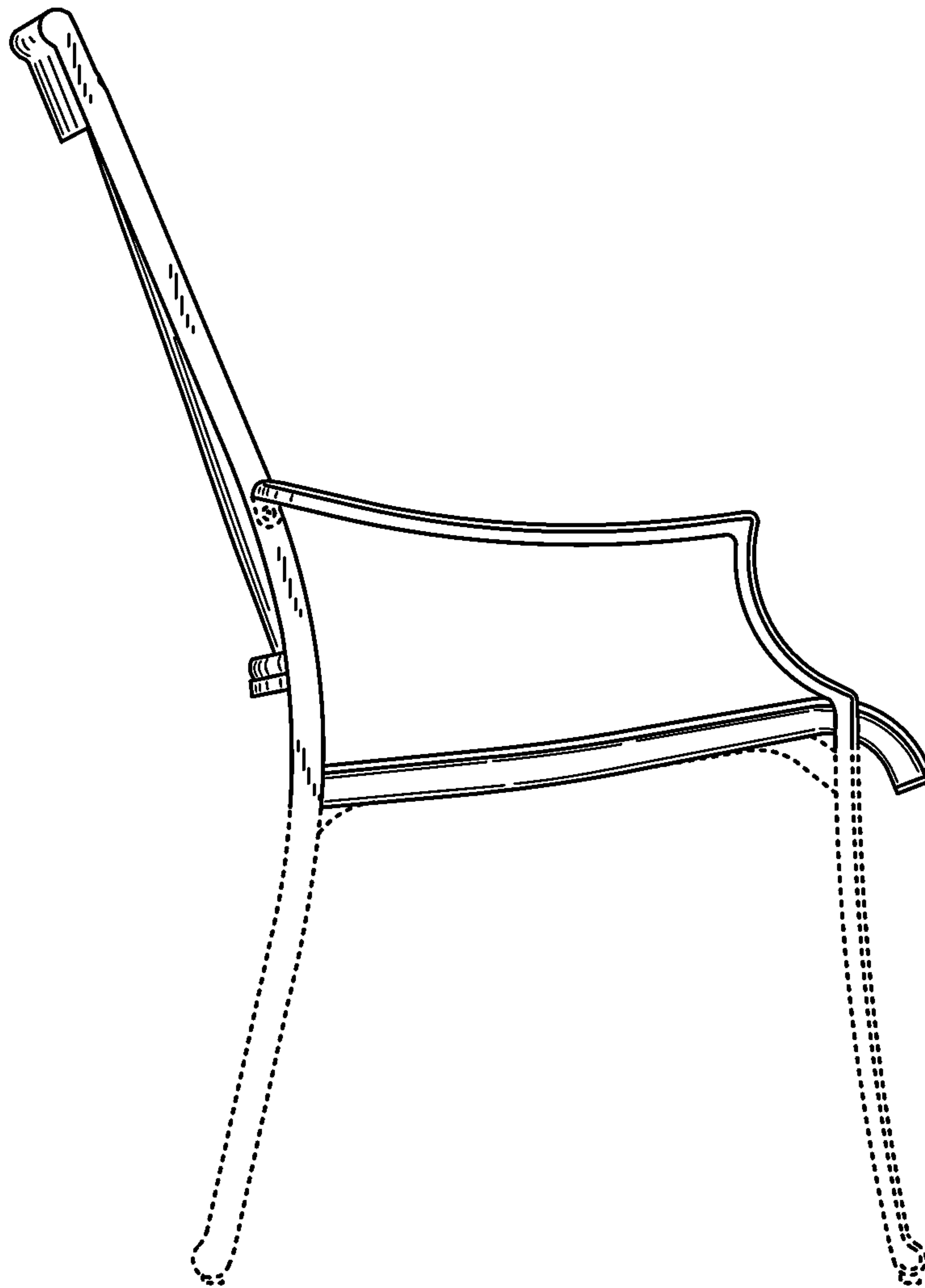


Fig. 4

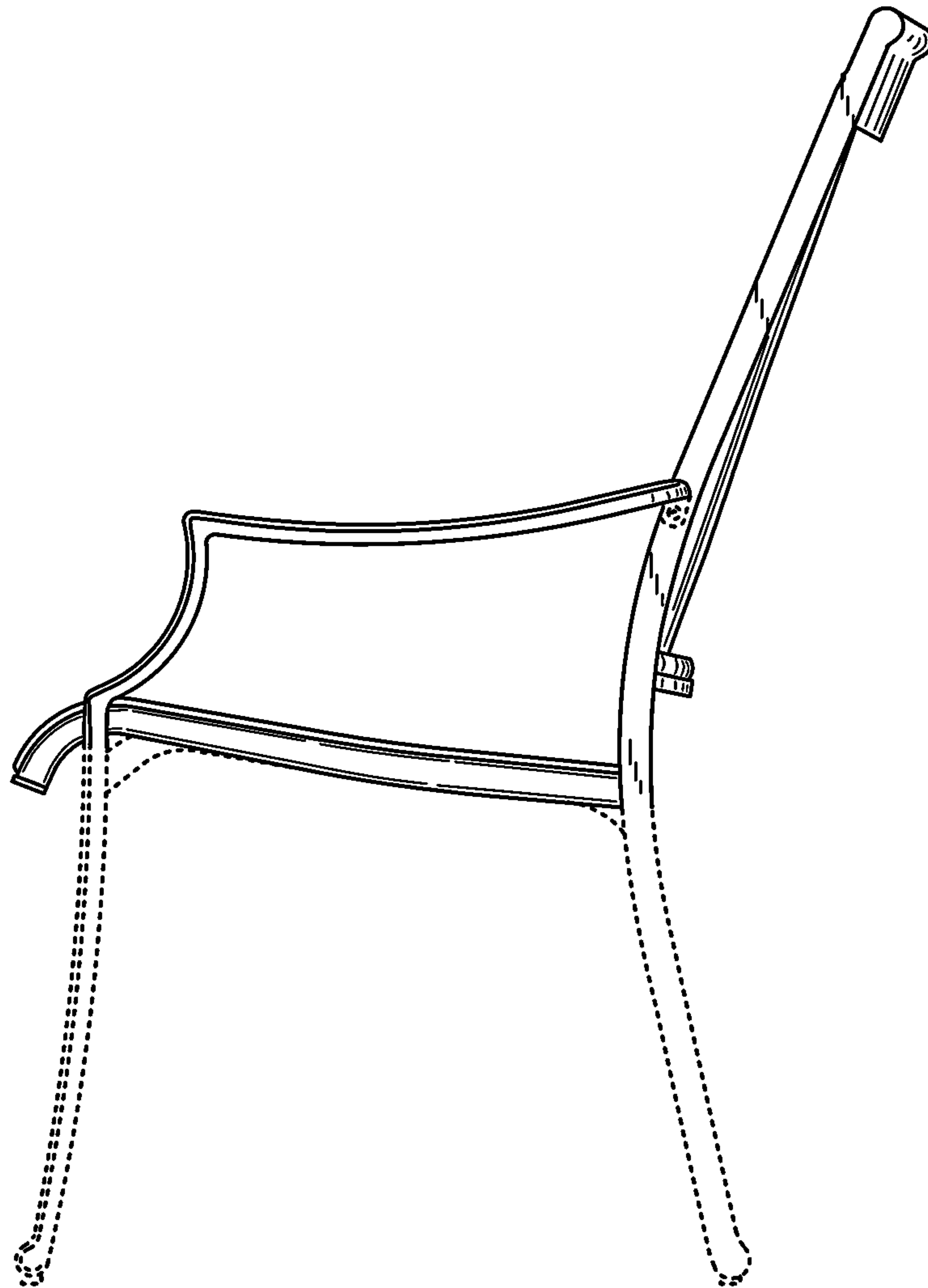


Fig. 5

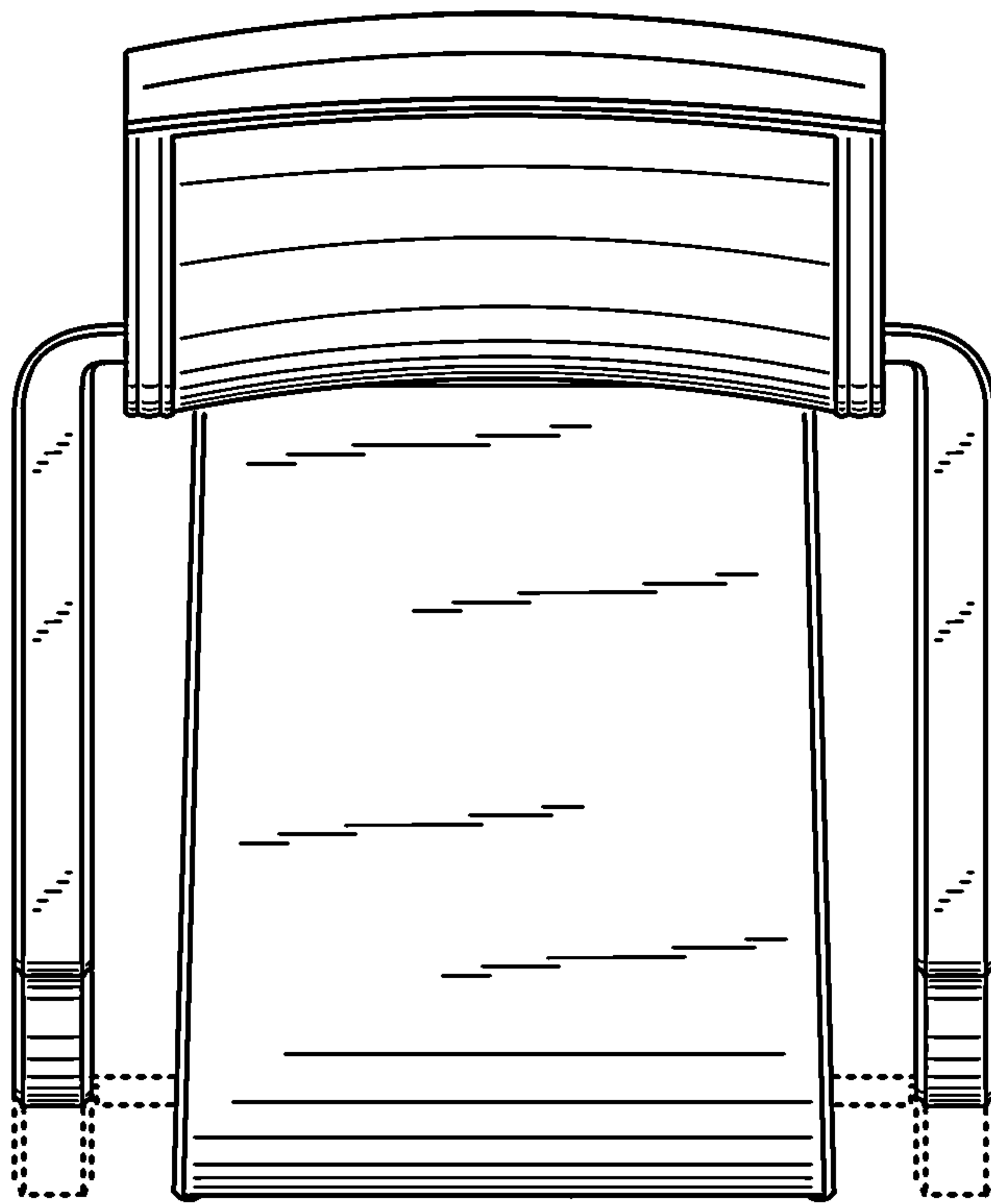


Fig. 6

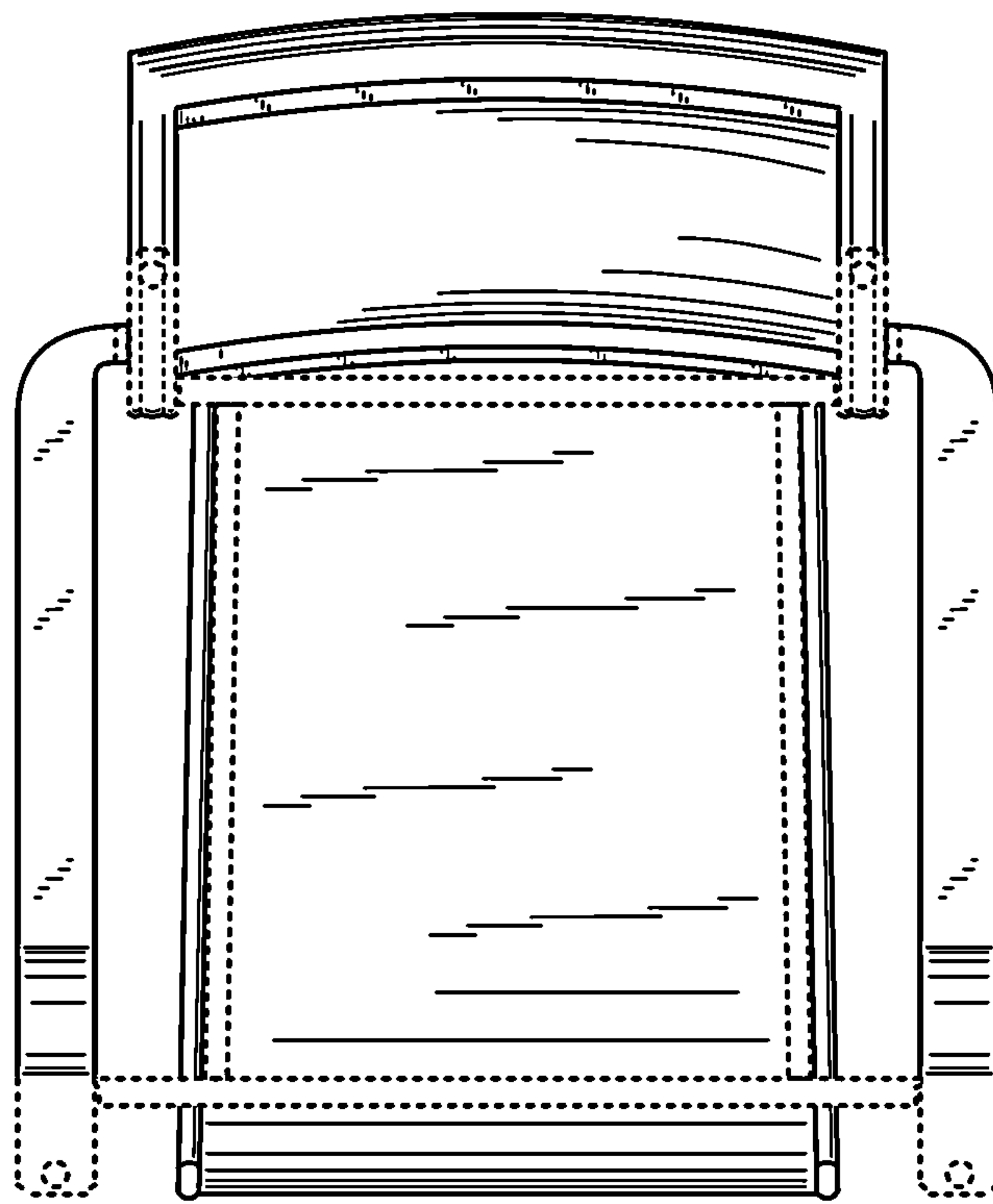


Fig. 7

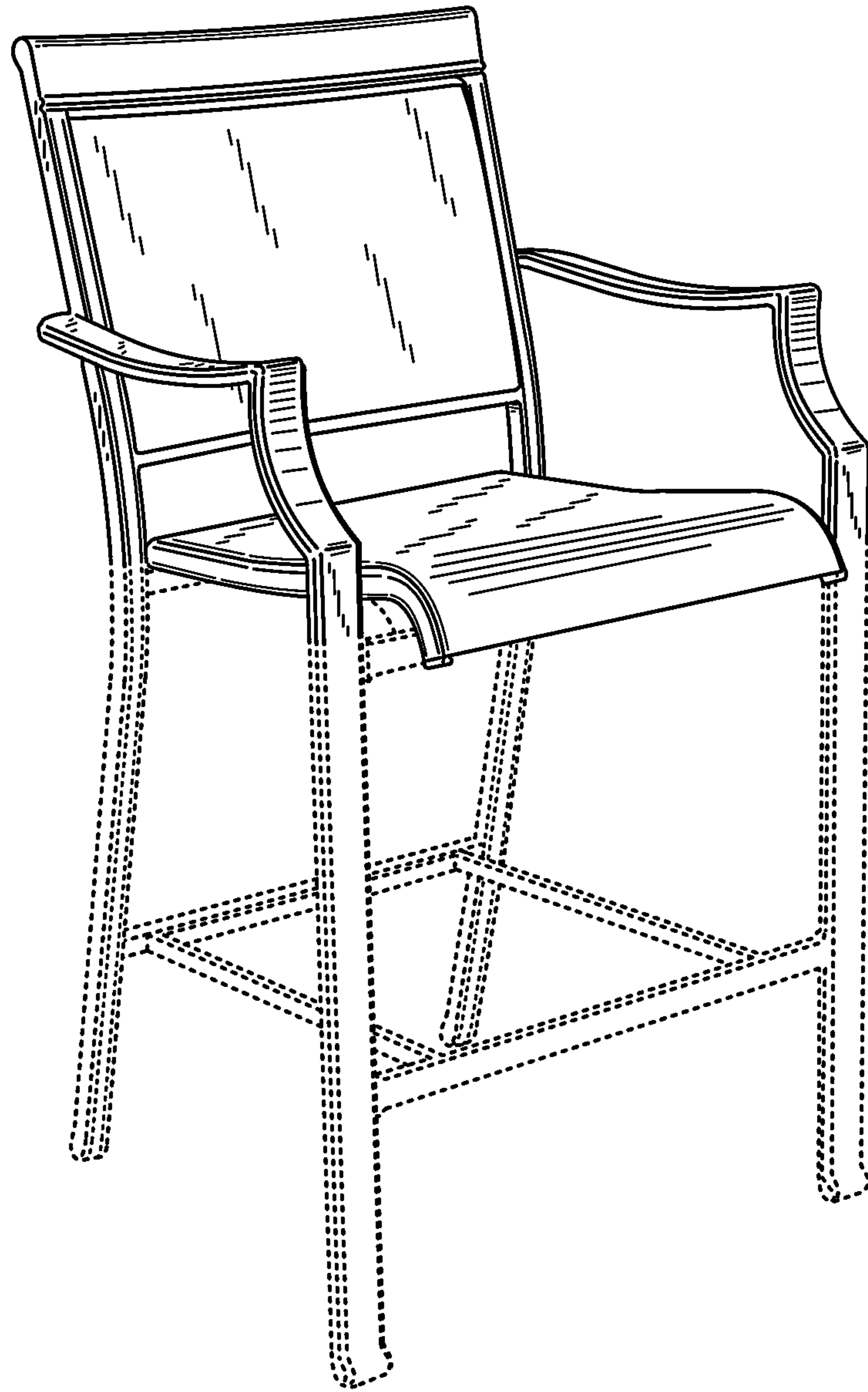


Fig. 8

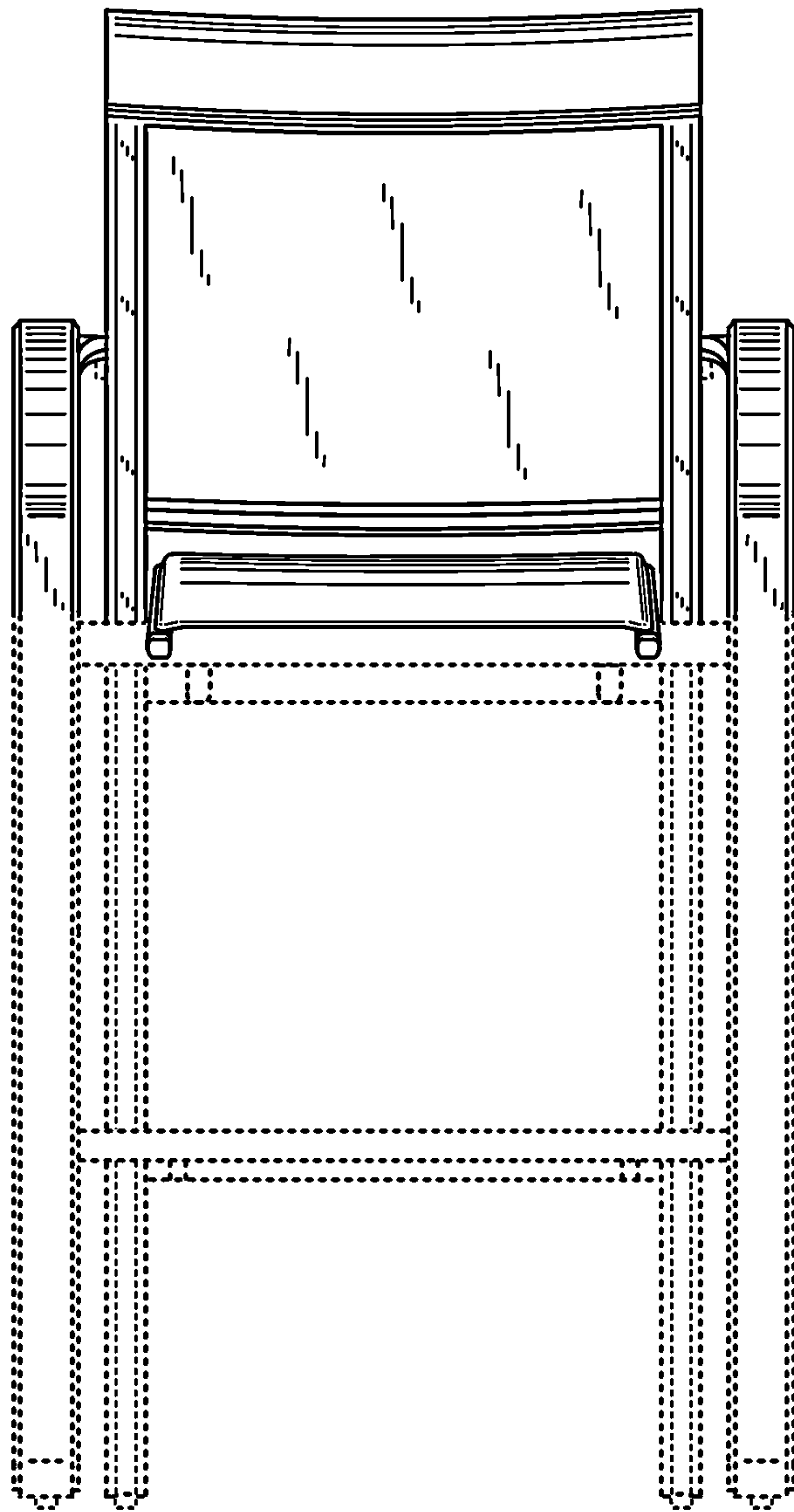


Fig. 9

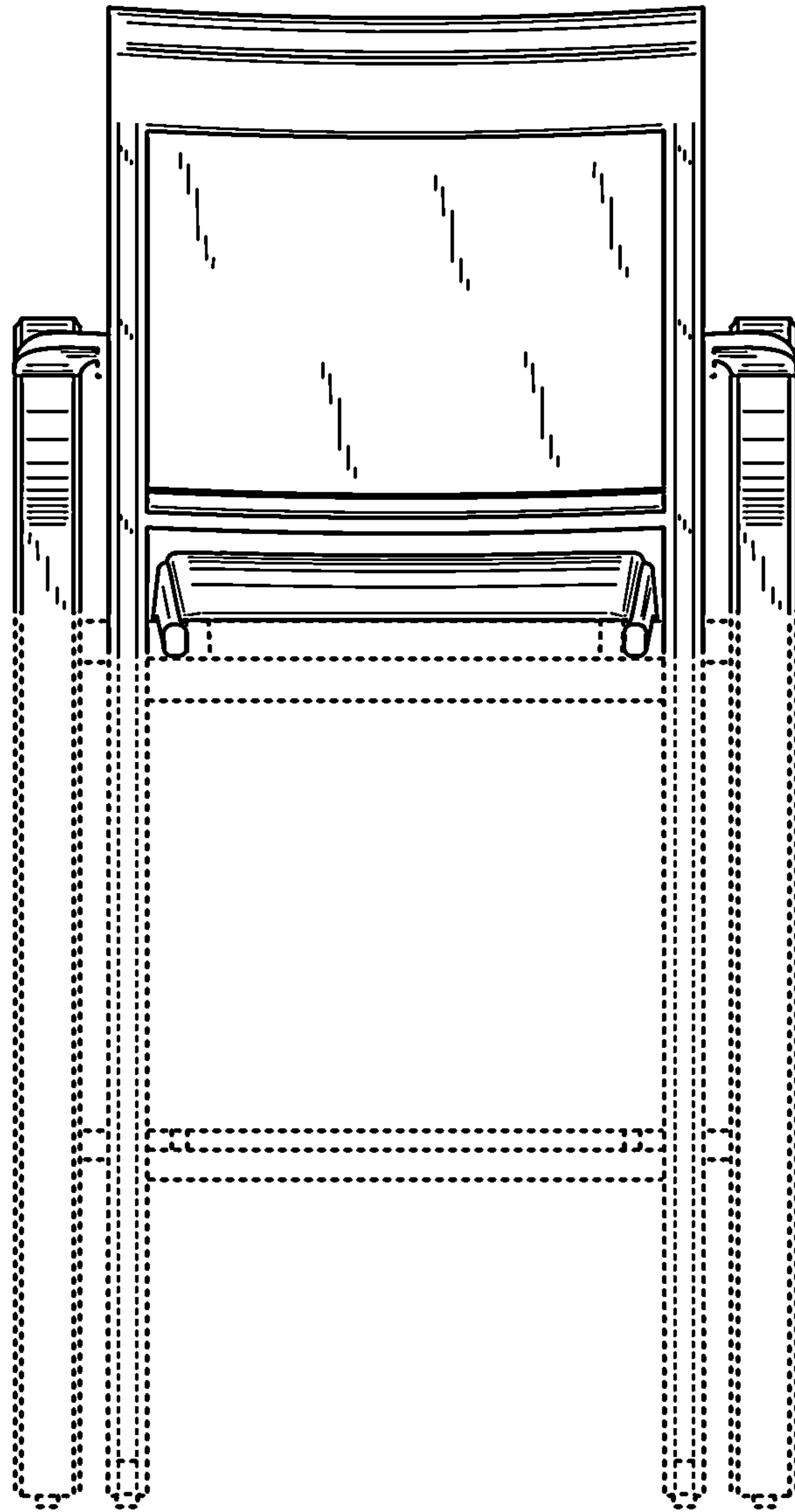


Fig. 10

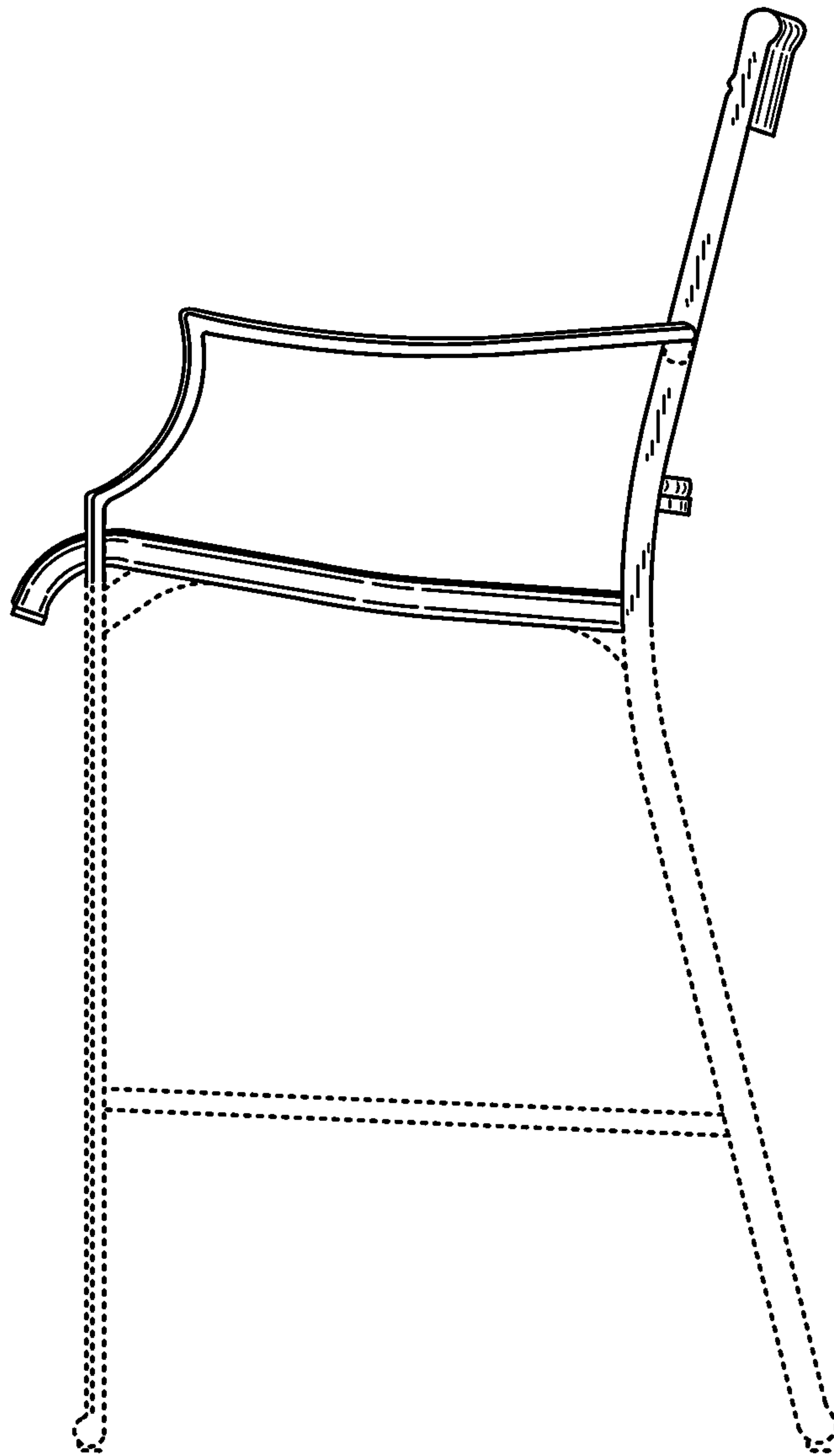


Fig. 11

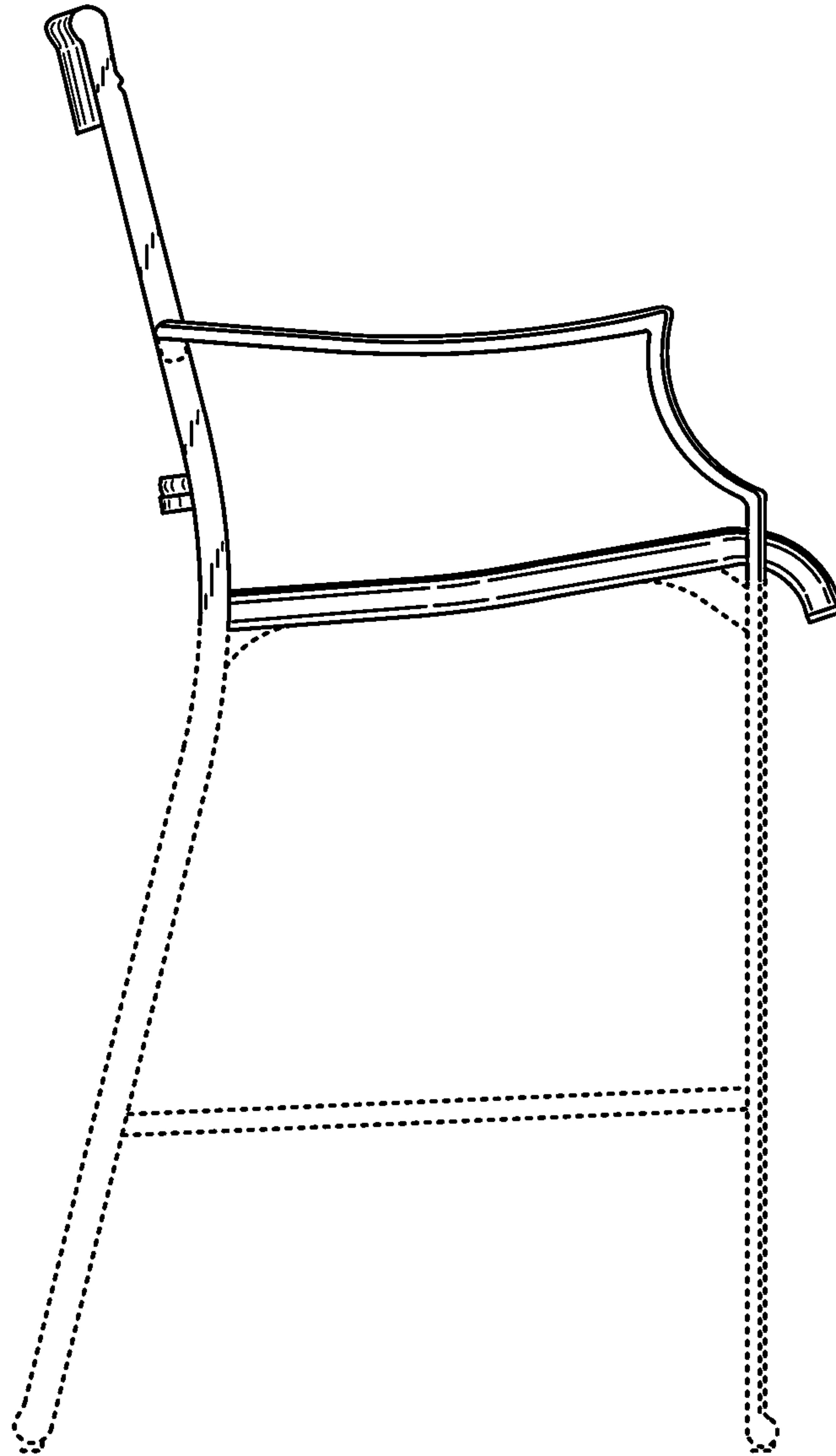


Fig. 12

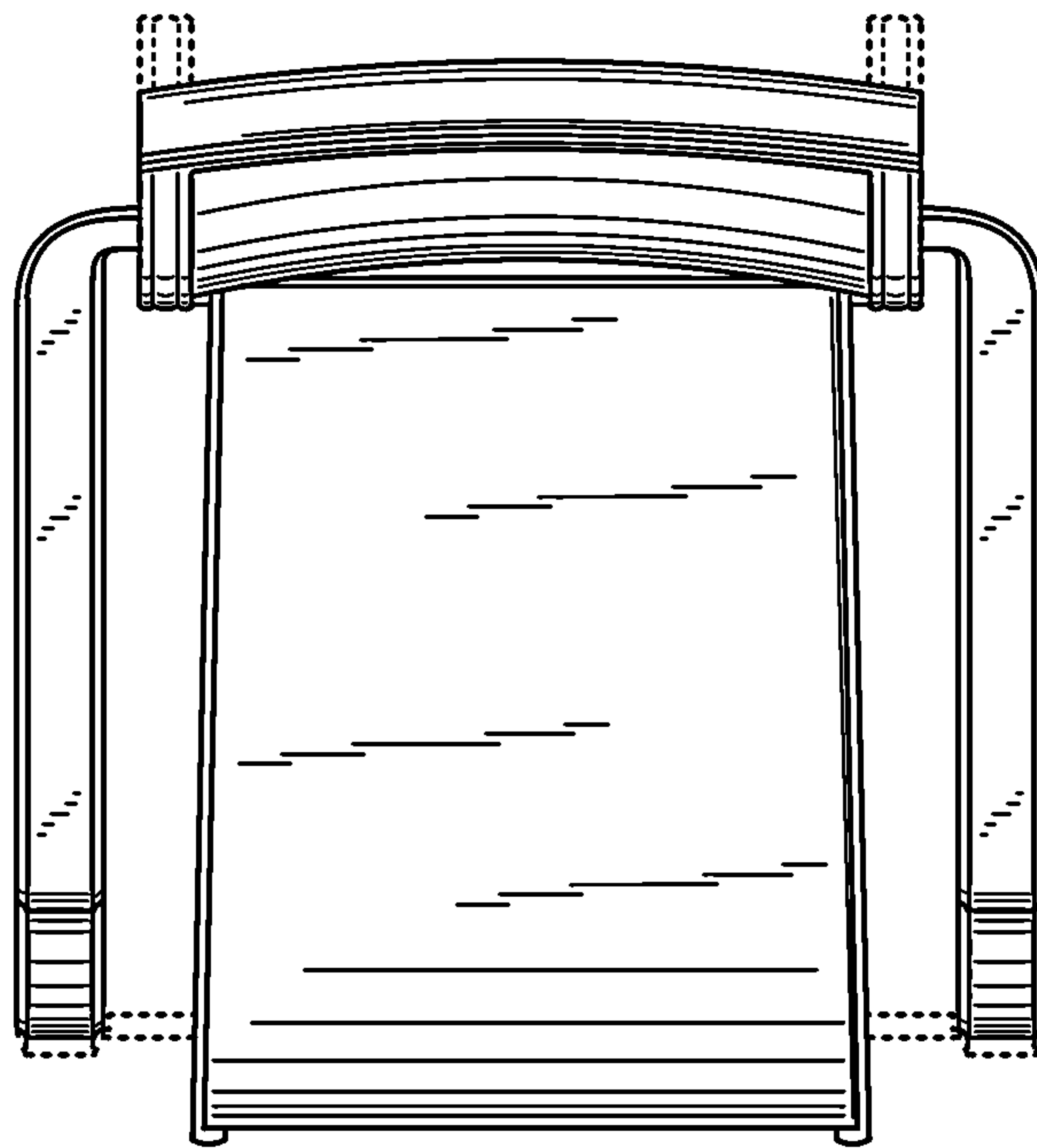


Fig. 13

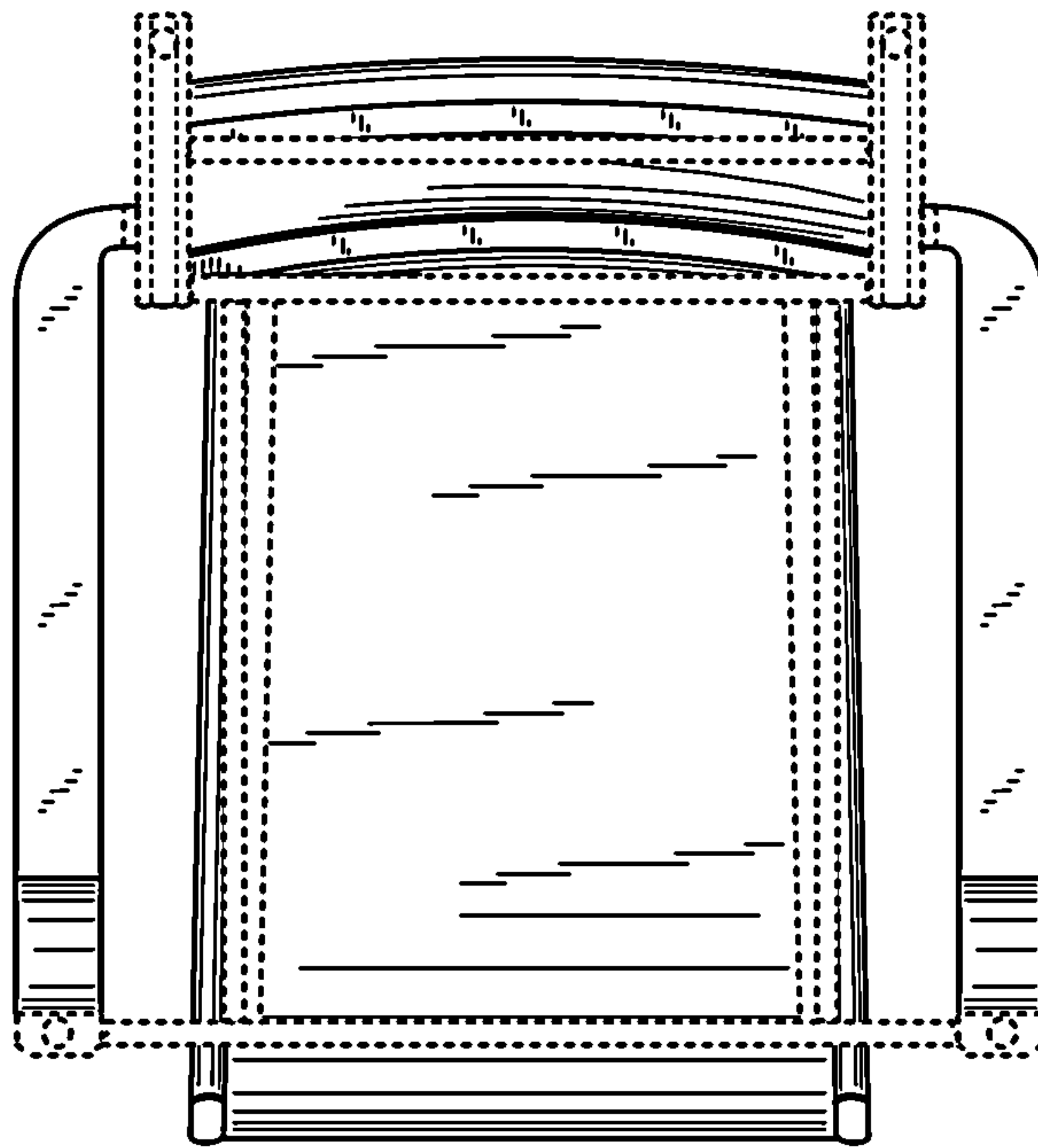


Fig. 14

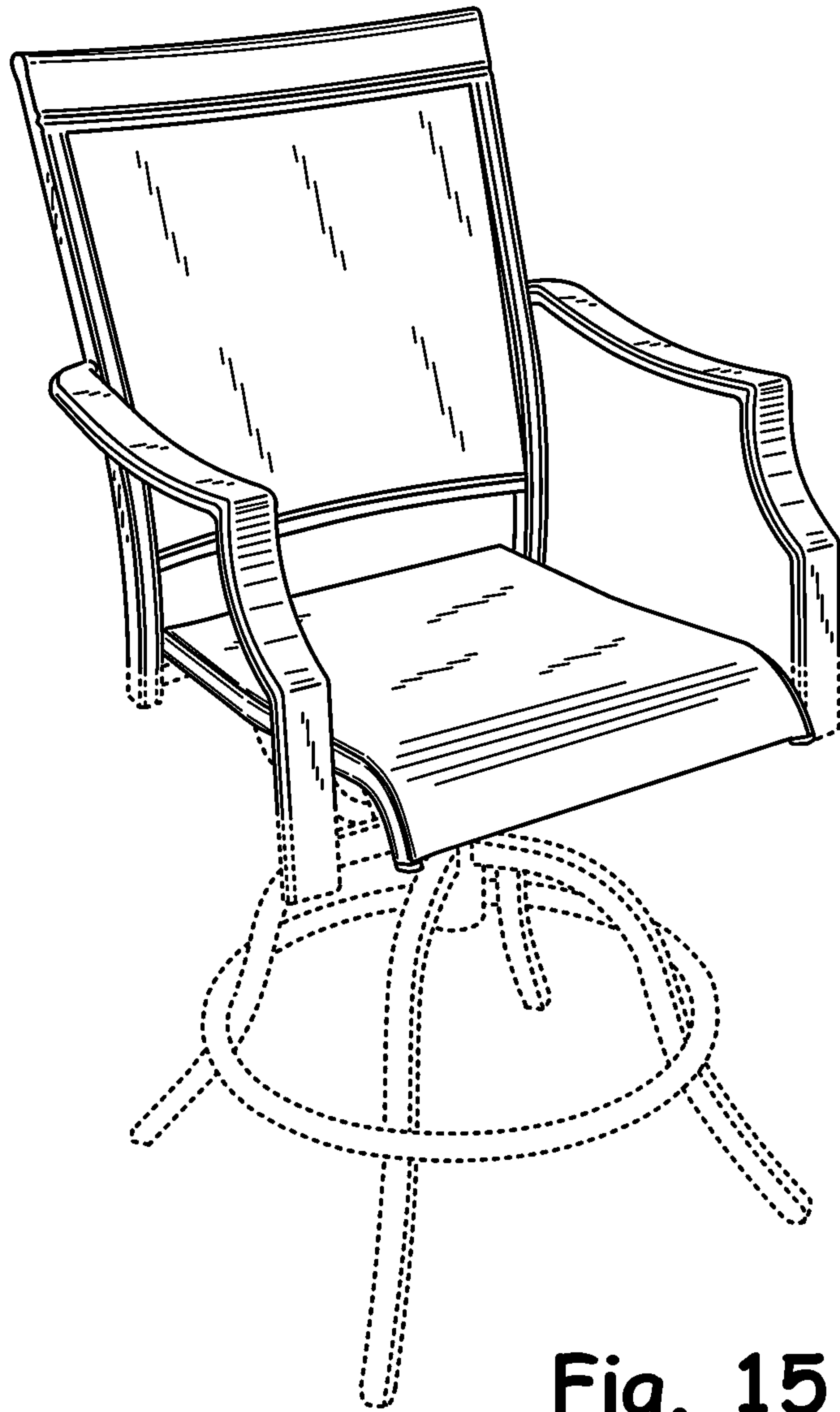


Fig. 15

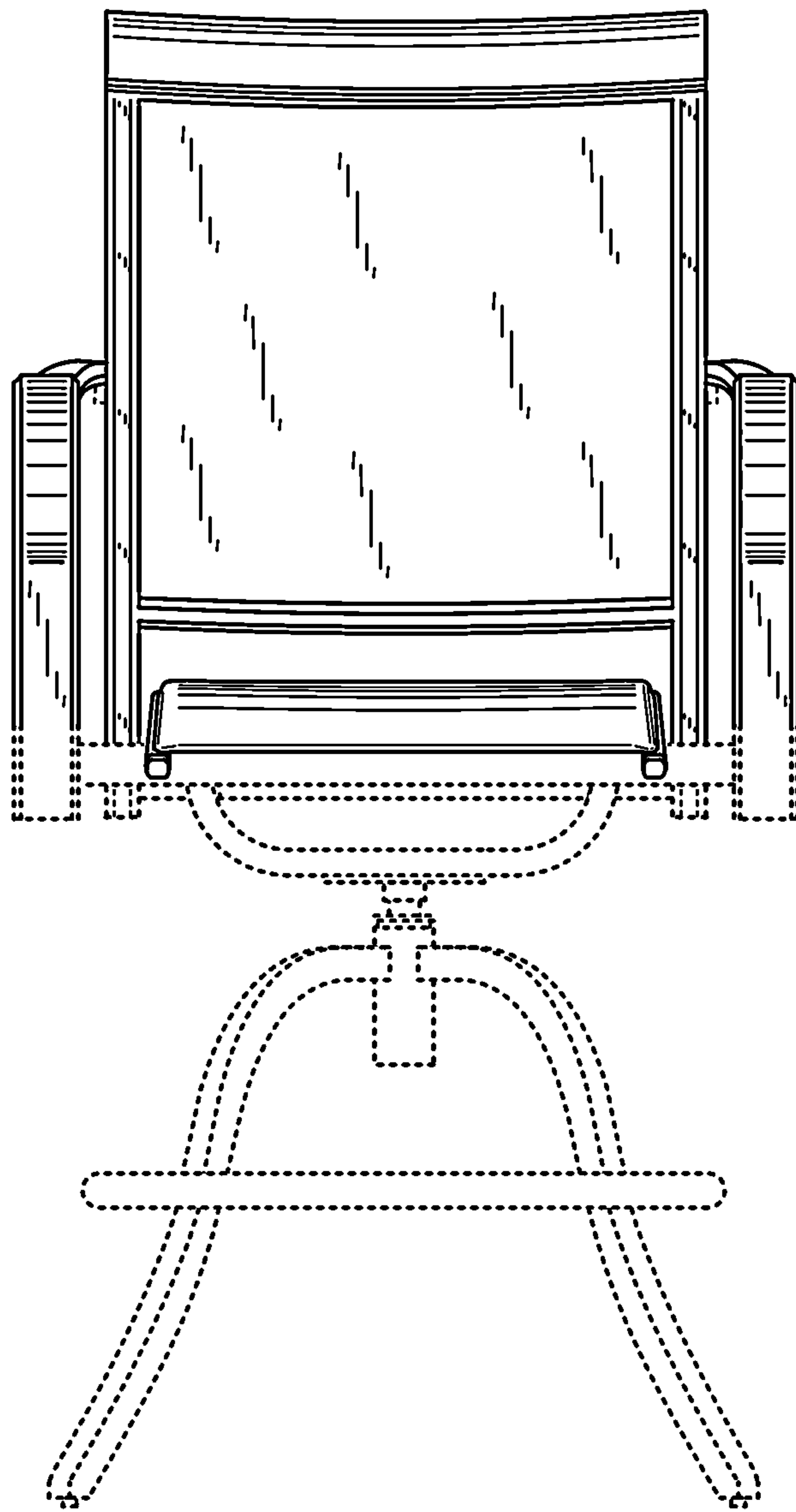


Fig. 16

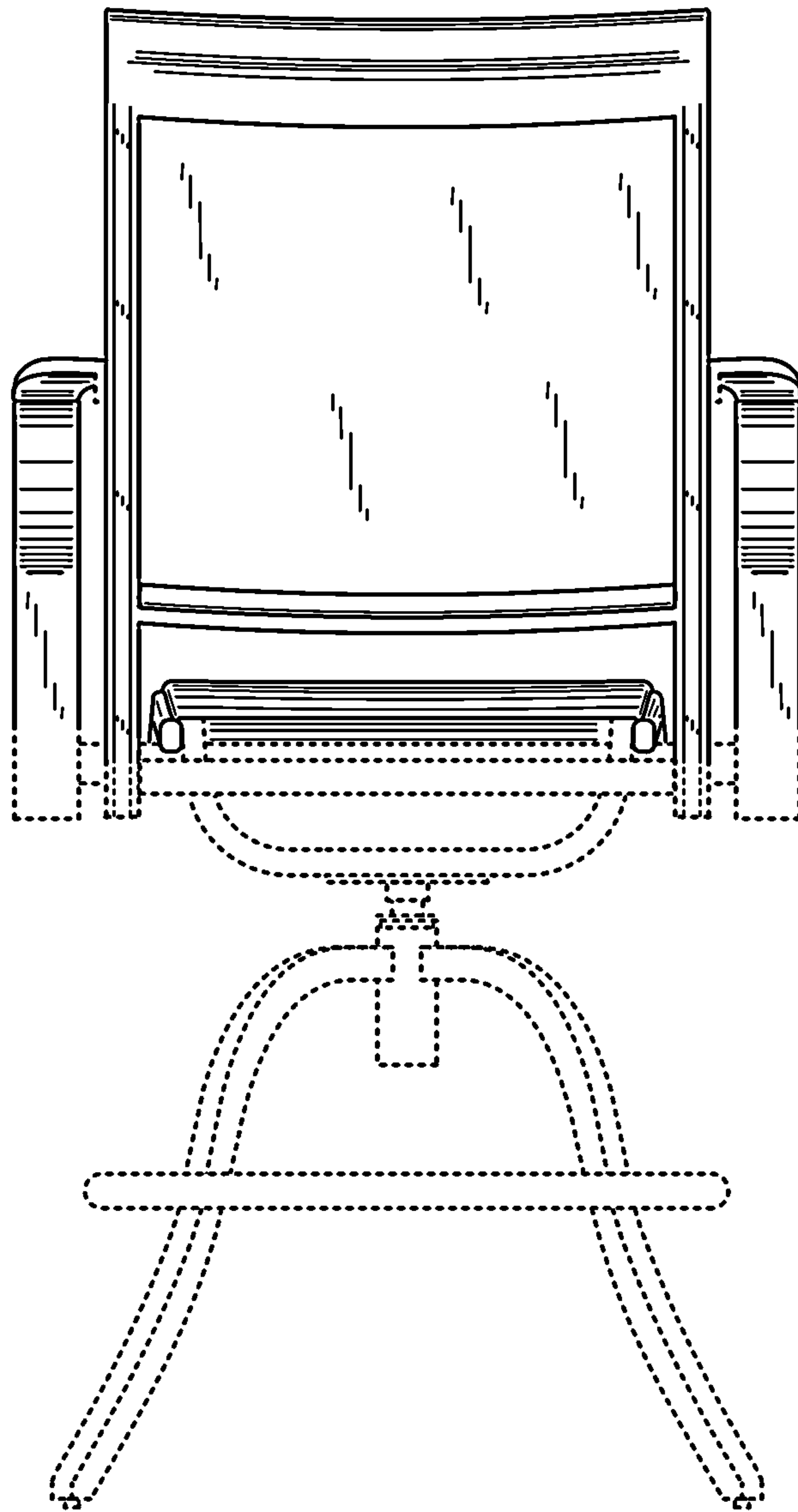


Fig. 17

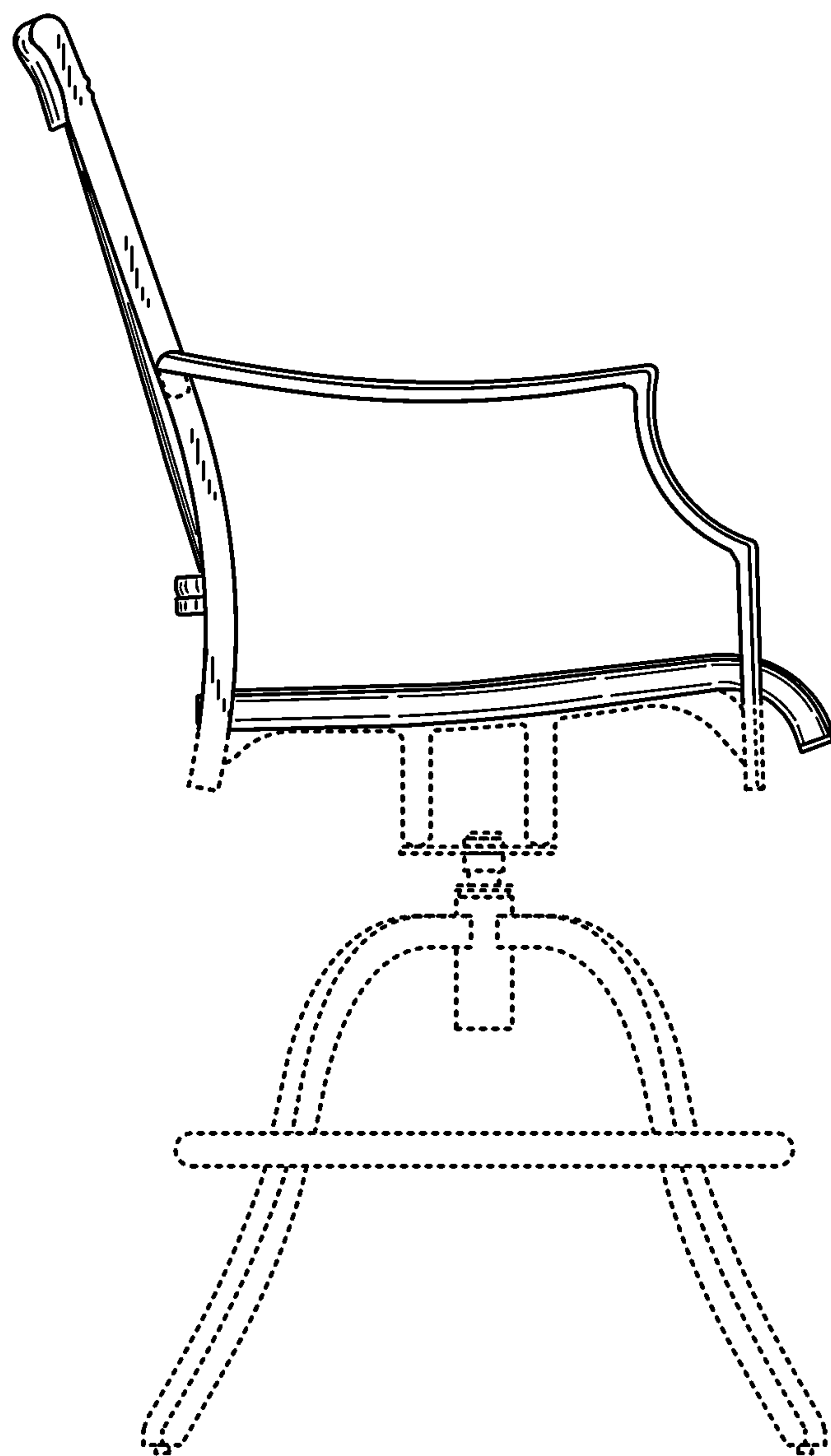


Fig. 18

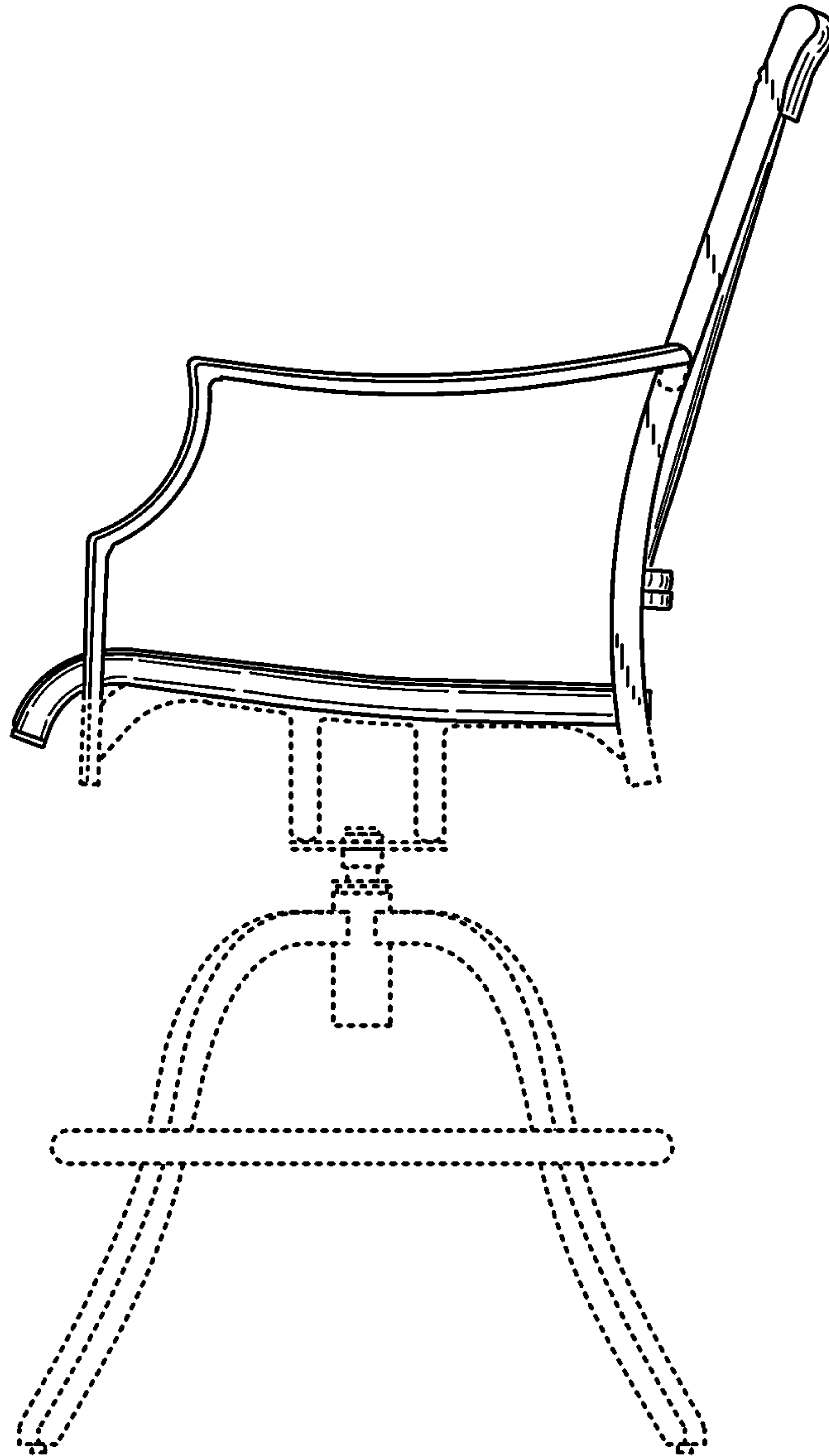


Fig. 19

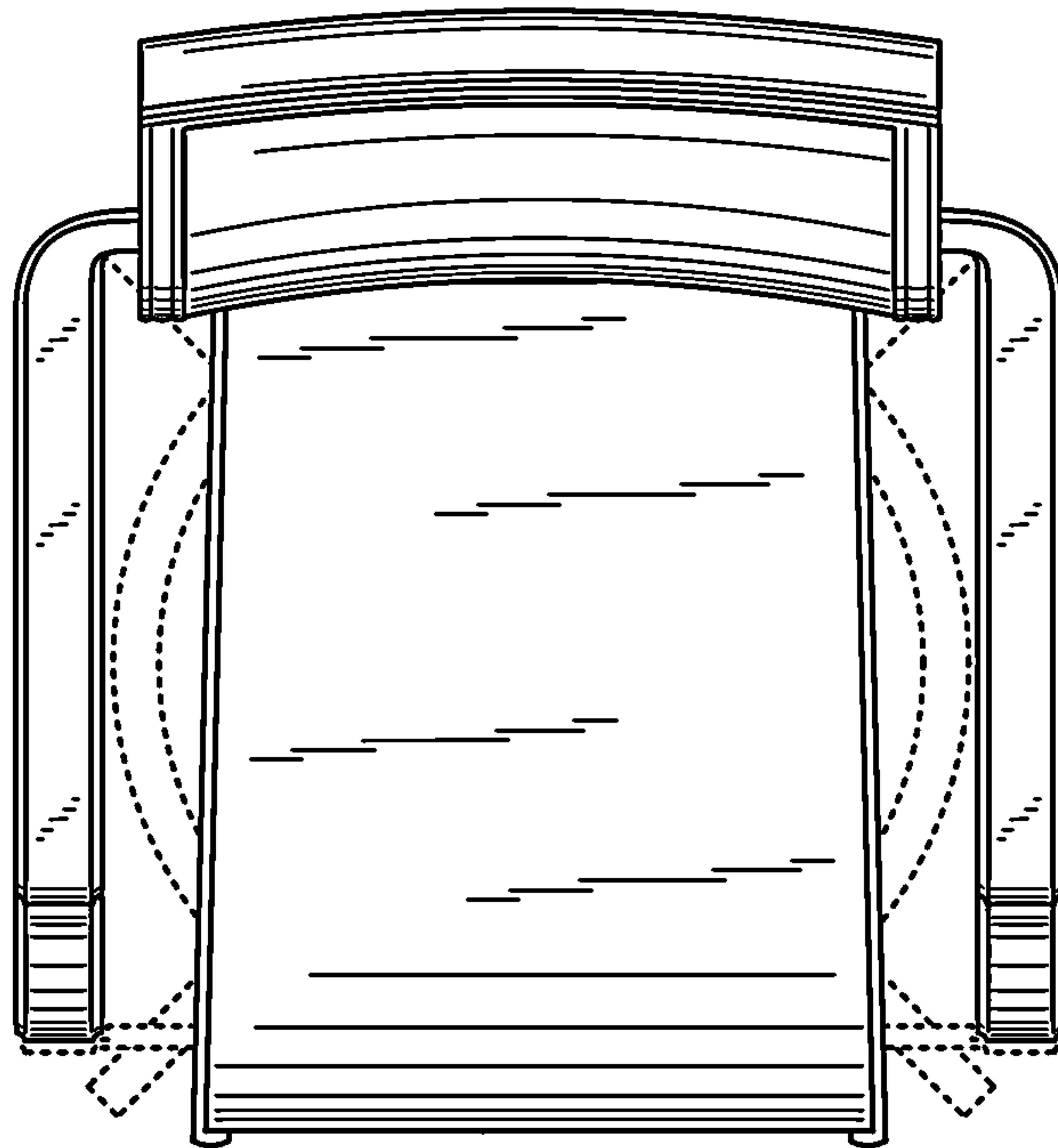


Fig. 20

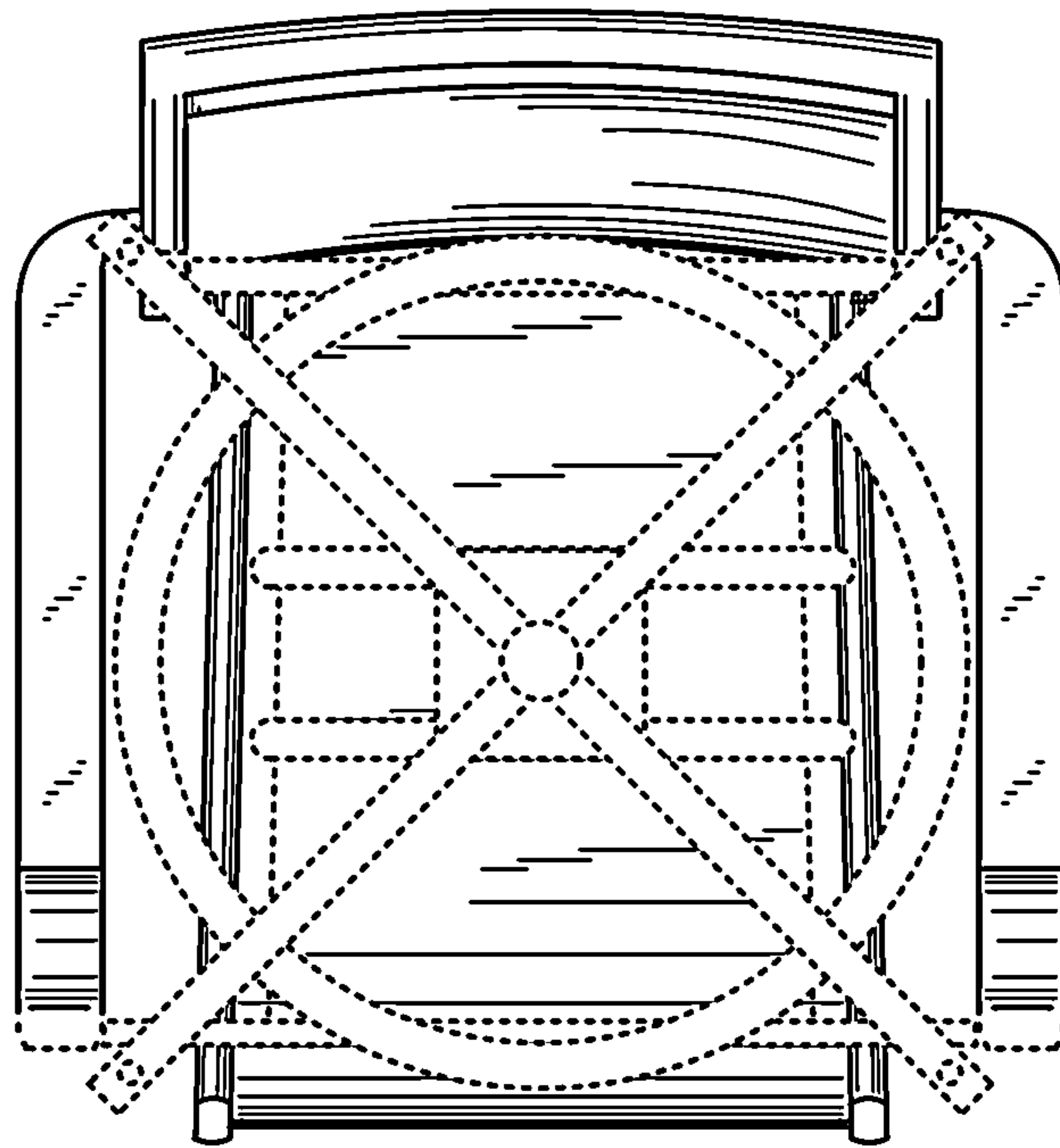


Fig. 21