



US00D684397S

(12) **United States Design Patent**
Kikkert et al.

(10) **Patent No.:** **US D684,397 S**
(45) **Date of Patent:** **** Jun. 18, 2013**

(54) **RETAIL DISPLAY FIXTURE**

(75) Inventors: **Janice Angela Kikkert**, Fordwich (CA);
Kevin Roy Sugden, Toronto (CA);
Ingve Holmung, Toronto (CA); **Todd**
Andrew Wood, Toronto (CA); **Rodrigo**
Castaneda Ramirez, London (GB)

(73) Assignee: **Research In Motion Limited**, Waterloo,
Ontario (CA)

(**) Term: **14 Years**

(21) Appl. No.: **29/413,532**

(22) Filed: **Feb. 16, 2012**

(51) **LOC (9) Cl.** **06-04**

(52) **U.S. Cl.**
USPC **D6/449**

(58) **Field of Classification Search**
USPC D6/596, 449, 419, 396; D14/314,
D14/383, 447, 149, 224, 434, 171, 150, 147,
D14/245, 340; D24/183; D12/425; 211/42,
211/43

See application file for complete search history.

(56) **References Cited**

U.S. PATENT DOCUMENTS

D220,627 S *	5/1971	Stolz	D14/340
D231,363 S *	4/1974	Schmidt	D14/147
D238,079 S *	12/1975	Herlbertson	D14/147
D279,523 S *	7/1985	Seltzer et al.	D12/425
D280,405 S *	9/1985	Mitchell	D14/151
D280,506 S *	9/1985	Mitchell	D14/245
D287,678 S *	1/1987	Hatcher et al.	D6/474
D292,754 S *	11/1987	Mascenic, Jr.	D6/300
D294,696 S *	3/1988	Brown	D14/149

D299,230 S *	1/1989	Gagnon	D14/150
D311,387 S *	10/1990	Brenneman et al.	D14/314
D332,091 S *	12/1992	Iino	D14/434
D362,565 S *	9/1995	Tubbs et al.	D6/419
D398,181 S *	9/1998	Lange et al.	D6/596
D415,412 S *	10/1999	Chavers	D8/403
D422,362 S *	4/2000	Ames	D24/183
D463,942 S *	10/2002	Stevko	D6/601
D562,302 S *	2/2008	Franck et al.	D14/149
D590,369 S *	4/2009	Gonser et al.	D14/149
D599,331 S *	9/2009	Bentley et al.	D14/224
D608,550 S *	1/2010	Sollberger et al.	D6/335
D643,845 S *	8/2011	Hong	D14/447
D645,027 S *	9/2011	Gougherty et al.	D14/224
D645,840 S *	9/2011	Silvera	D14/171
D668,251 S *	10/2012	Morrell	D14/383

* cited by examiner

Primary Examiner — Philip S Hyder
Assistant Examiner — Sydney Buffalow

(57) **CLAIM**

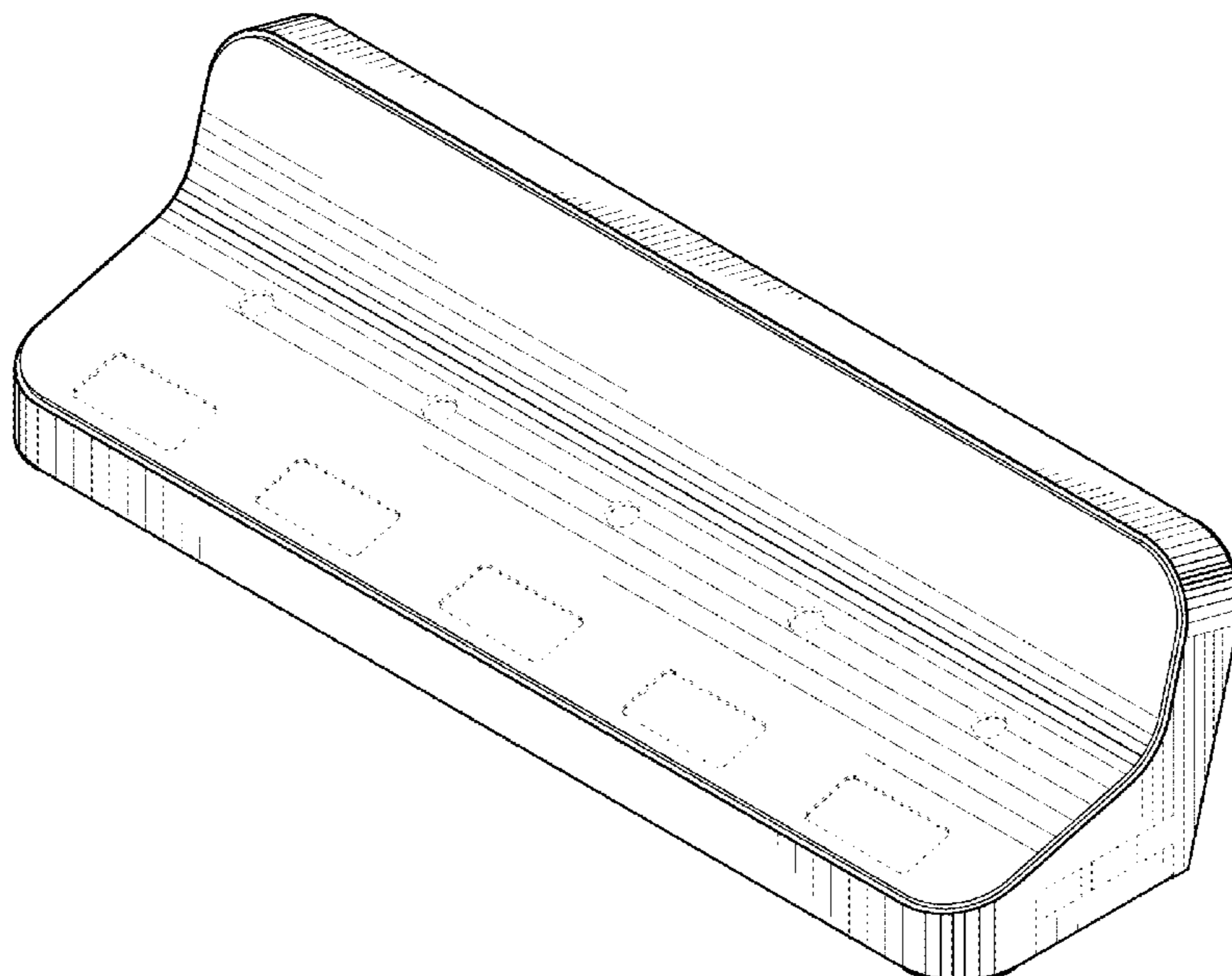
We claim the ornamental design for a retail display fixture, as shown and described.

DESCRIPTION

FIG. 1 is a front perspective view of a retail display fixture;
FIG. 2 is a back perspective view of the retail display fixture;
FIG. 3 is a front elevational view thereof;
FIG. 4 is a back elevational view thereof;
FIG. 5 is a right elevational view thereof;
FIG. 6 is a left elevational view thereof;
FIG. 7 is a top plan view thereof; and,
FIG. 8 is a bottom plan view thereof.

The broken lines shown in the drawings of the retail display fixture are for the purpose of illustrating portions of the article and form no part of the claimed design.

1 Claim, 5 Drawing Sheets



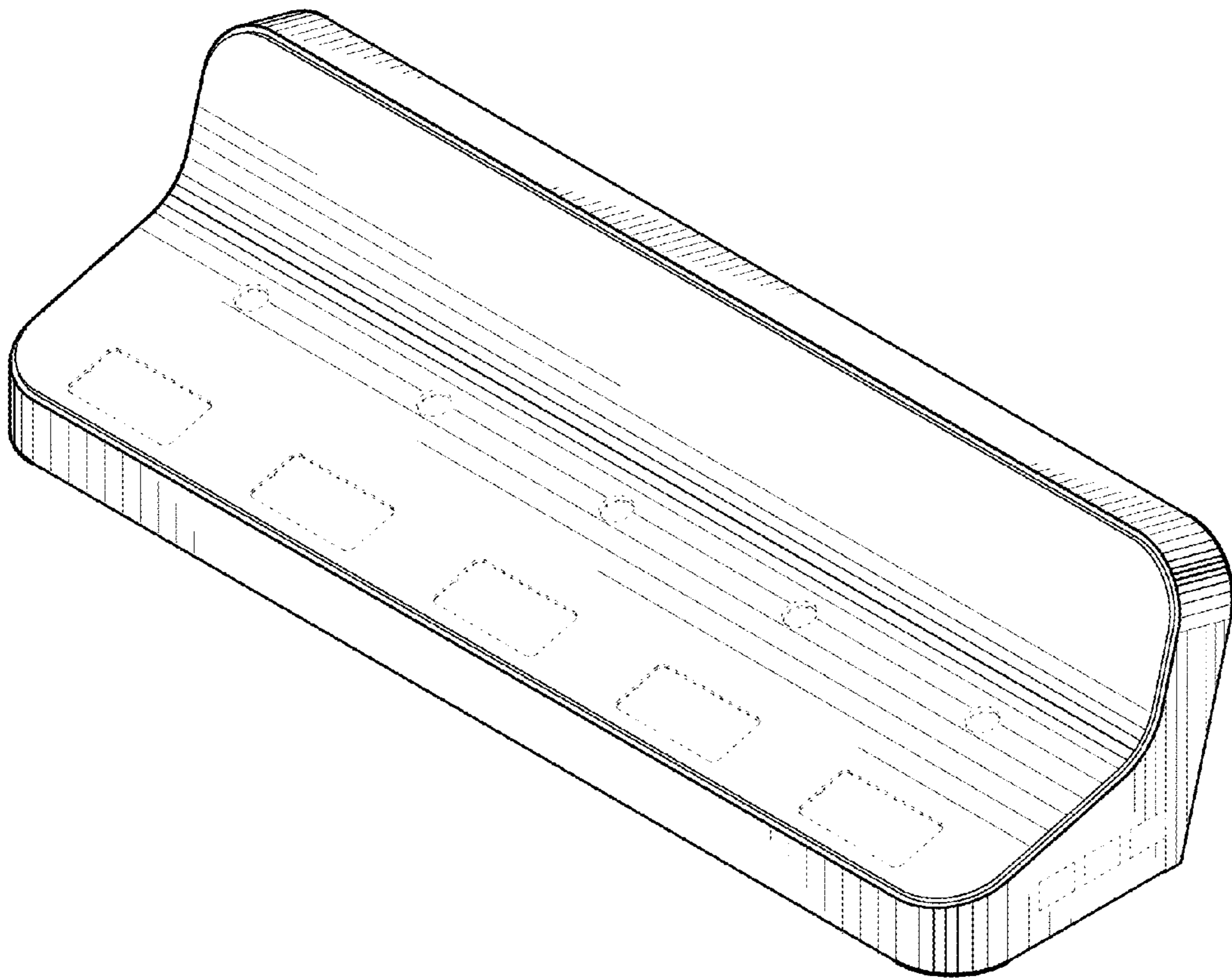


FIG.1

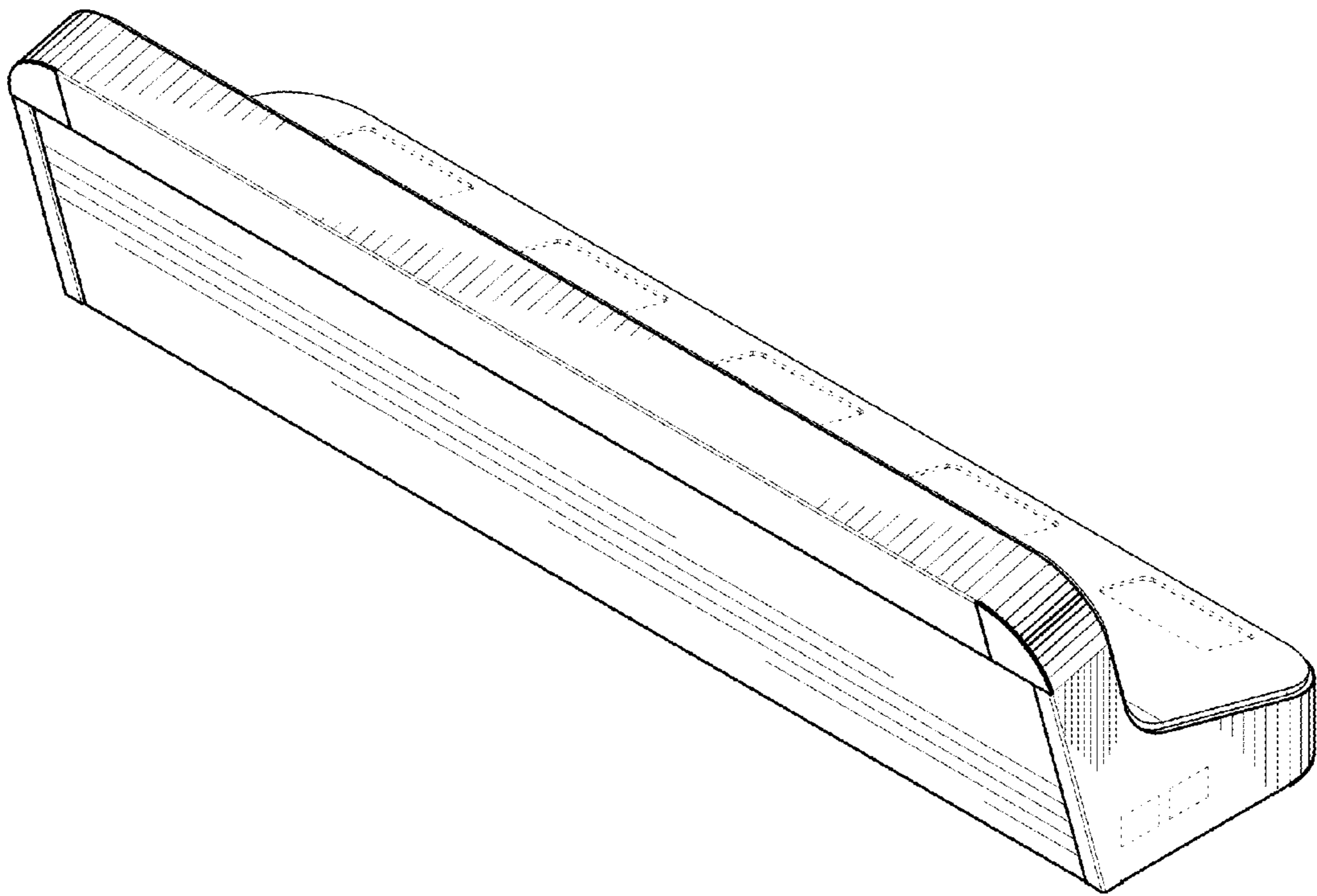


FIG.2

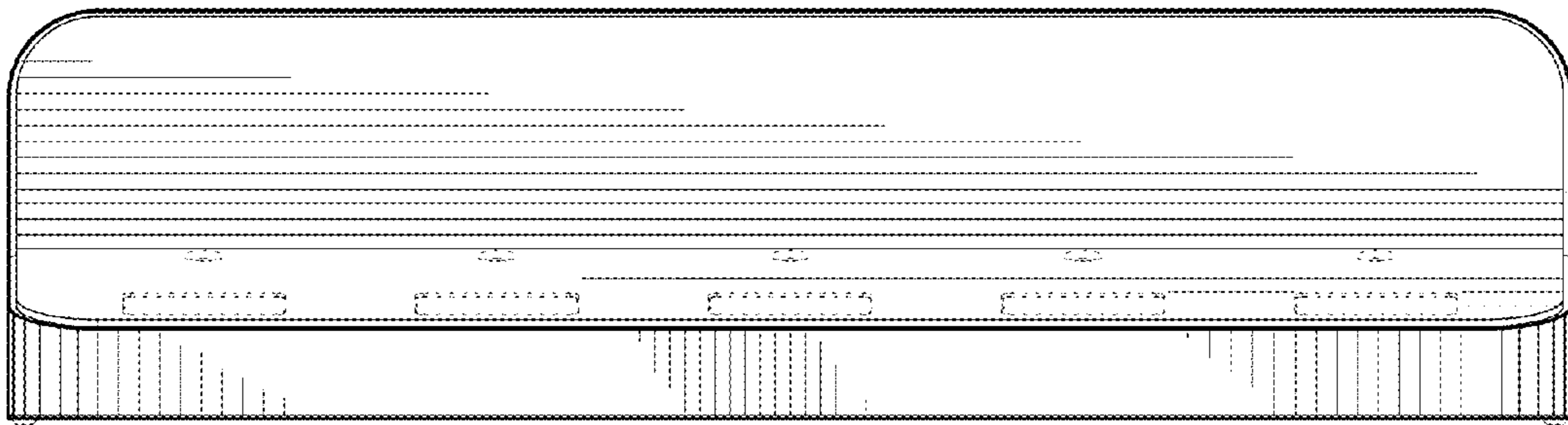


FIG.3

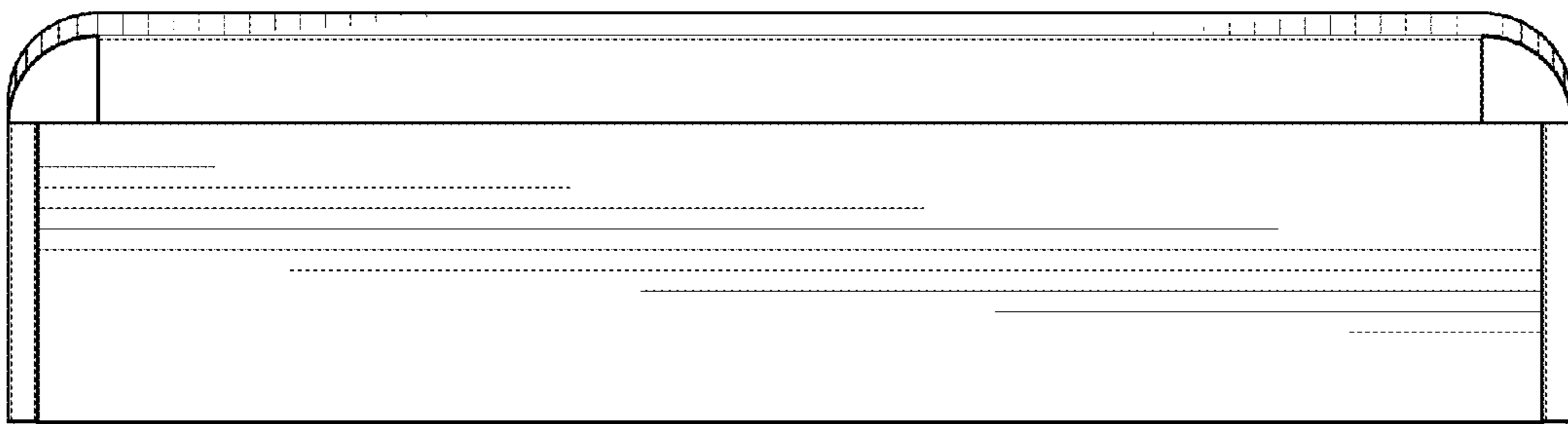


FIG.4

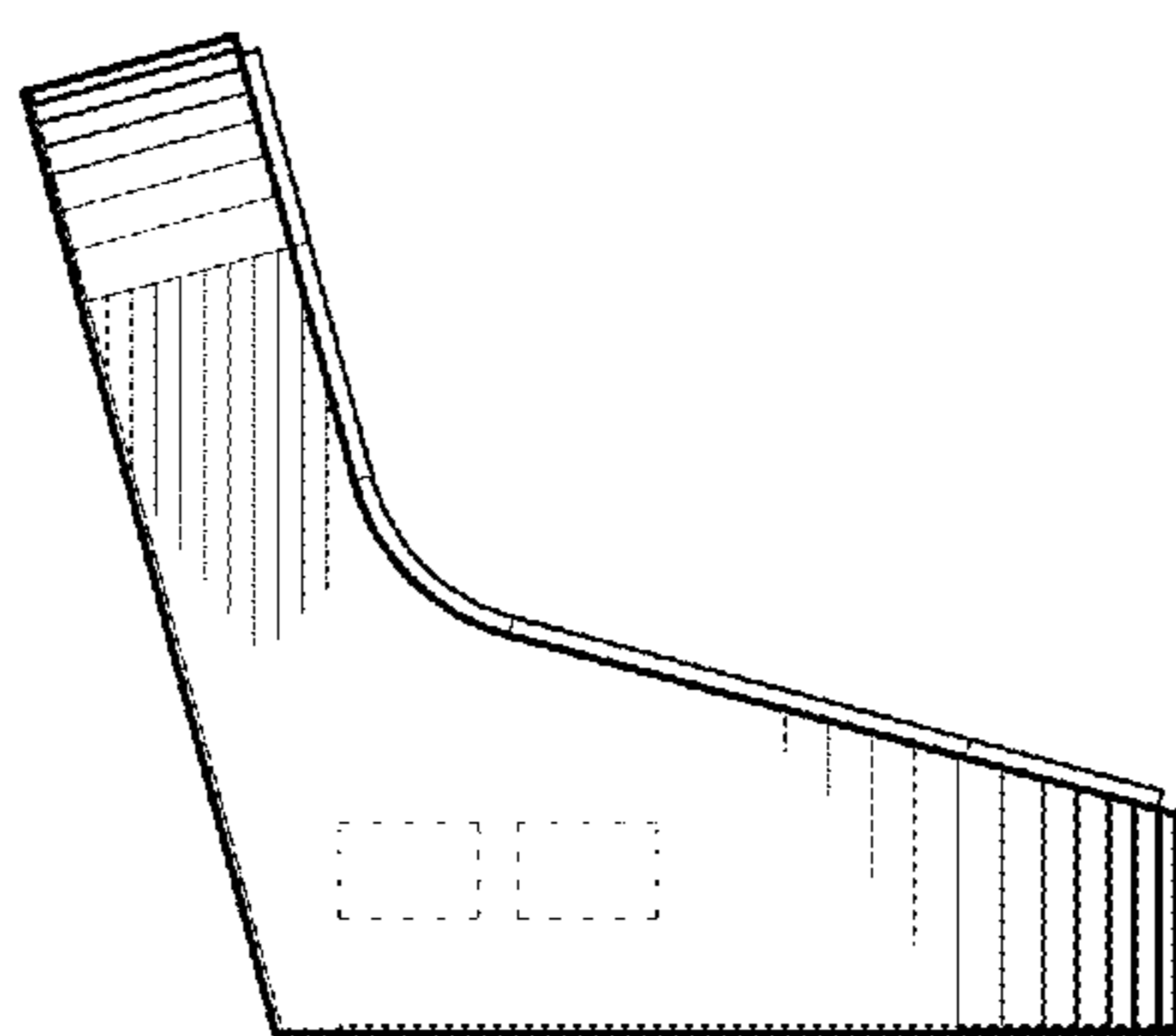


FIG. 5

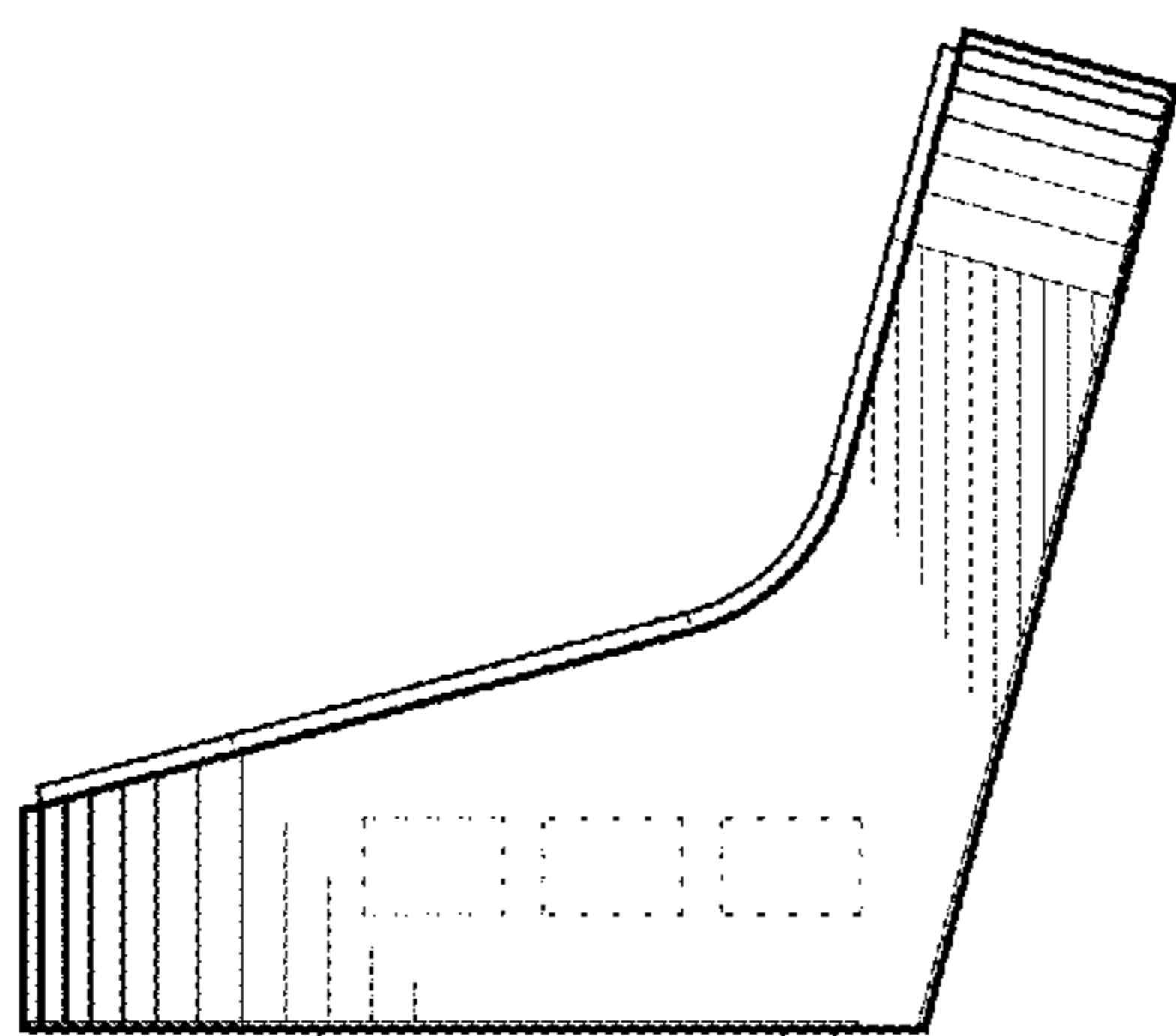


FIG. 6

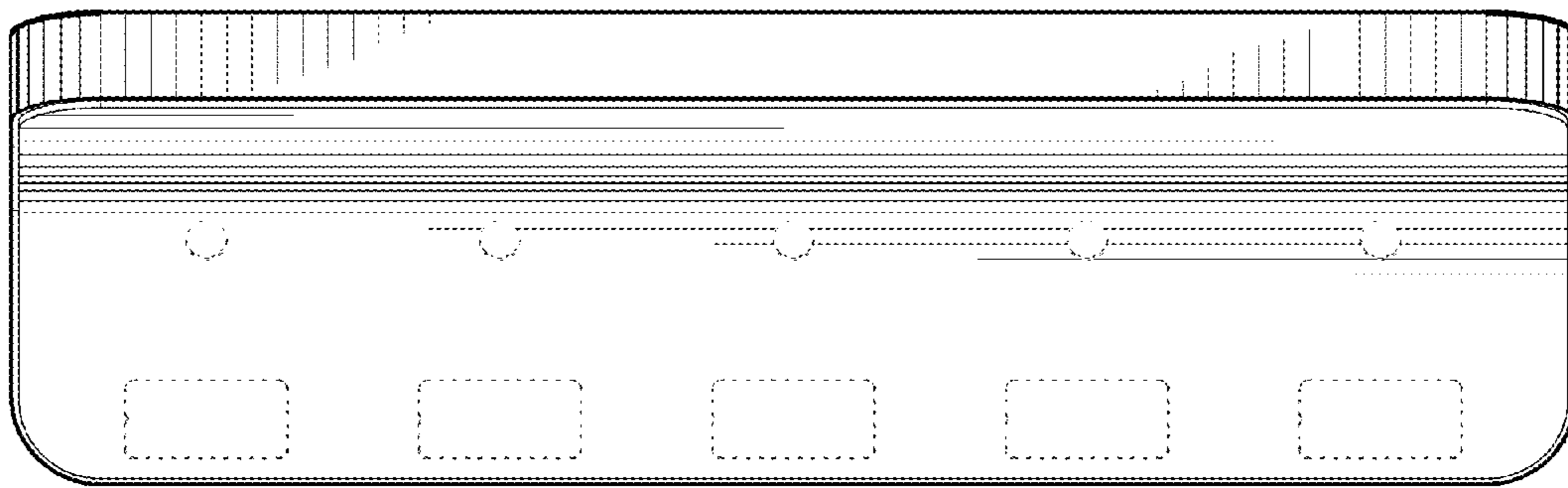


FIG. 7

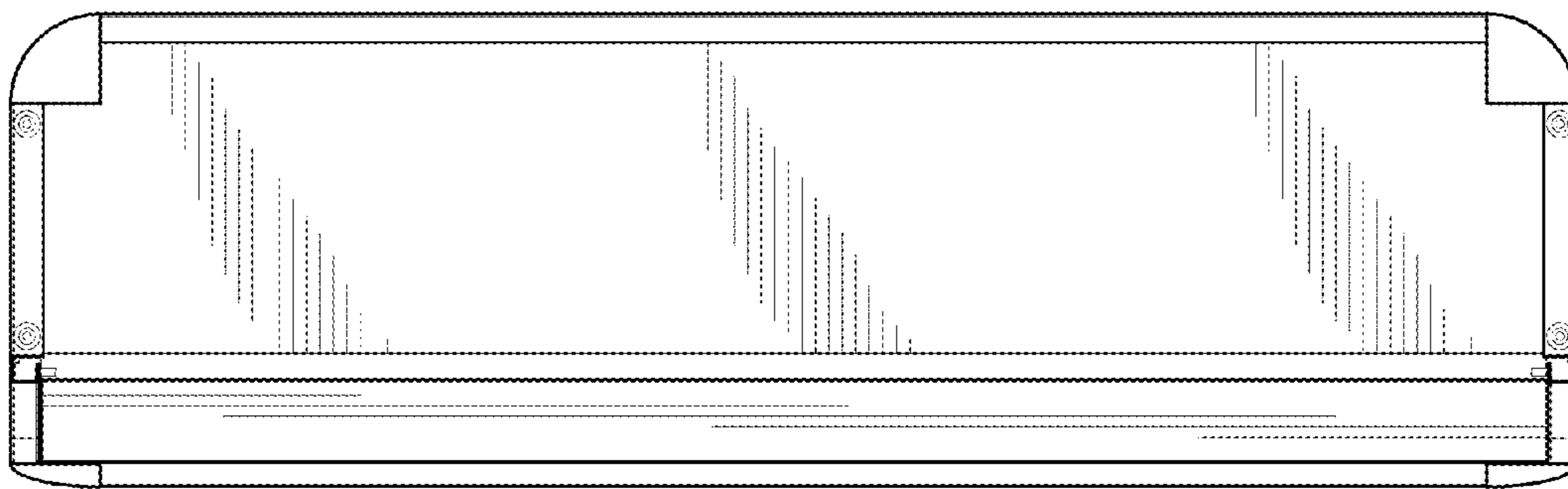


FIG. 8