



US00D684383S

(12) **United States Design Patent**  
**Chan**

(10) **Patent No.:** **US D684,383 S**  
(45) **Date of Patent:** **\*\* Jun. 18, 2013**

(54) **GARMENT HANGER**

(71) Applicant: **Uniplast Industries, Inc.**, Hasbrouck Heights, NJ (US)

(72) Inventor: **King Keung Kennedy Chan**, Hong Kong (HK)

(73) Assignee: **Uniplast Industries, Inc.**, Hasbrouck Heights, NJ (US)

(\*\*) Term: **14 Years**

(21) Appl. No.: **29/438,242**

(22) Filed: **Nov. 28, 2012**

(51) **LOC (9) Cl.** ..... **06-08**

(52) **U.S. Cl.**  
USPC ..... **D6/328**

(58) **Field of Classification Search**  
USPC ..... D6/315-328; 223/85-98; 211/1, 211/13.1, 85.3, 86.01, 105.2, 106.1, 123, 211/124, 183; 248/74.2, 317, 339; D8/37, D8/349, 376, 380, 381; D25/41.1, 61, 126, D25/133

See application file for complete search history.

(56) **References Cited**

**U.S. PATENT DOCUMENTS**

D243,138	S	*	1/1977	Coon	.....	D6/326
D271,649	S	*	12/1983	Batts et al.	.....	D6/326
D301,942	S	*	7/1989	Talbot-Titley	.....	D6/326
D305,484	S	*	1/1990	Fildan	.....	D6/326
5,056,248	A	*	10/1991	Blanchard	.....	40/322
5,516,014	A	*	5/1996	Garrison	.....	223/96
D423,235	S	*	4/2000	Bond et al.	.....	D6/326
D429,898	S	*	8/2000	Morgan et al.	.....	D6/326
D463,918	S	*	10/2002	Goldman et al.	.....	D6/328
D464,814	S	*	10/2002	De Winter et al.	.....	D6/328

D472,062	S	*	3/2003	Yegavian et al.	.....	D6/326
6,609,640	B1	*	8/2003	Bokmiller	.....	223/93
D510,198	S		10/2005	Willardson		
D519,139	S	*	4/2006	Singleton	.....	D6/326
7,188,755	B2	*	3/2007	Wu	.....	223/91
7,290,687	B2	*	11/2007	Wu	.....	223/96
7,337,932	B2	*	3/2008	Gouldson	.....	223/85
D612,620	S		3/2010	Gouldson		
D622,972	S		9/2010	Jones		
7,815,080	B2	*	10/2010	Zuckerman	.....	223/96
2006/0226178	A1	*	10/2006	Wu	.....	223/85
2007/0068979	A1	*	3/2007	Wu	.....	223/85
2007/0075104	A1	*	4/2007	Yau	.....	223/85
2007/0215655	A1	*	9/2007	Wu	.....	223/85
2010/0193553	A1	*	8/2010	Gouldson	.....	223/96
2012/0181309	A1		7/2012	Mainetti		

\* cited by examiner

*Primary Examiner* — Derrick Holland

*Assistant Examiner* — Lauren Calve

(74) *Attorney, Agent, or Firm* — Leason Ellis LLP

(57) **CLAIM**

The ornamental design for a garment hanger, as shown and described.

**DESCRIPTION**

FIG. 1 is a top and rear perspective view of a garment hanger showing my new design;

FIG. 2 is a rear elevation view thereof;

FIG. 3 is a front elevation view thereof;

FIG. 4 is a top plan view thereof;

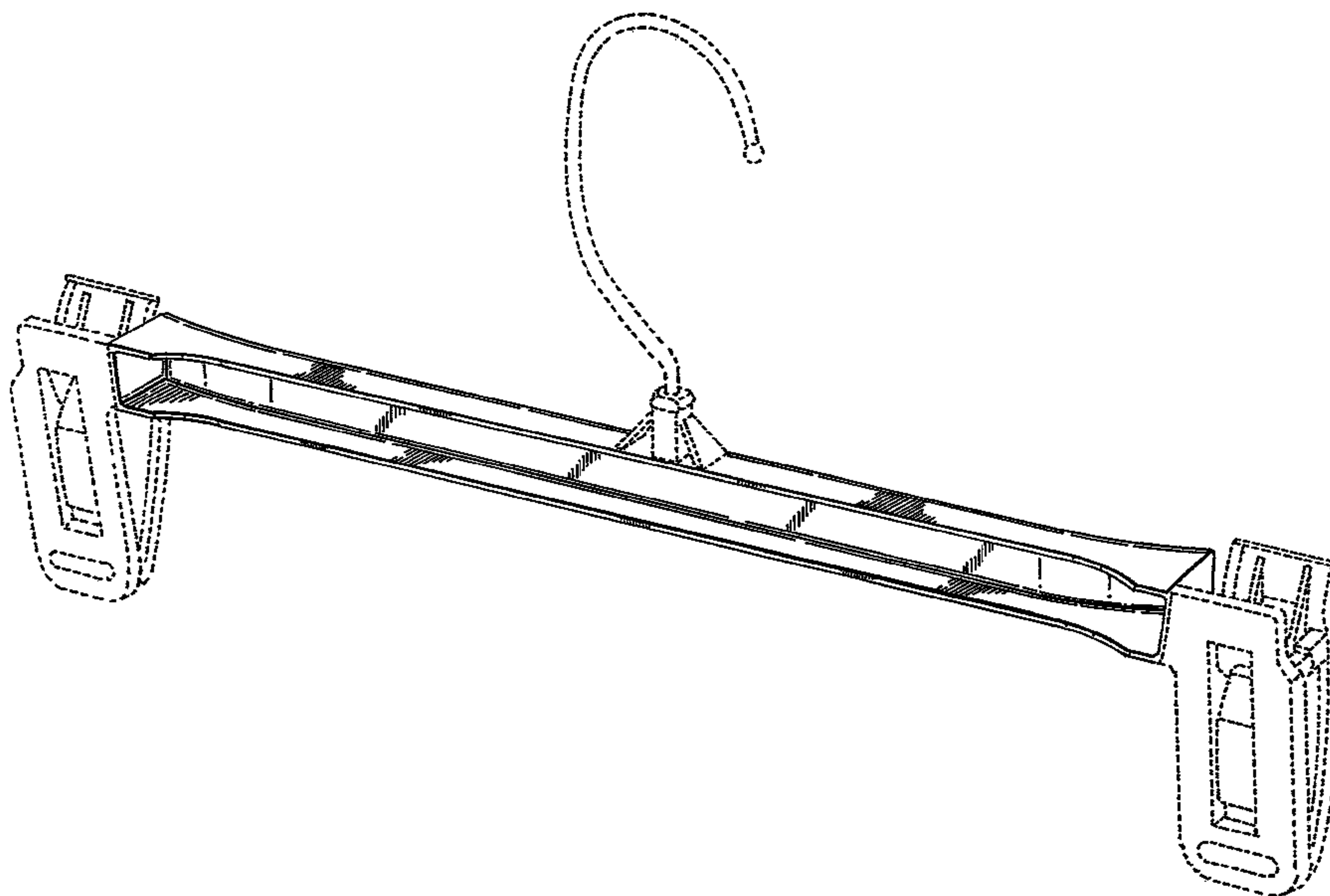
FIG. 5 is a bottom plan view thereof;

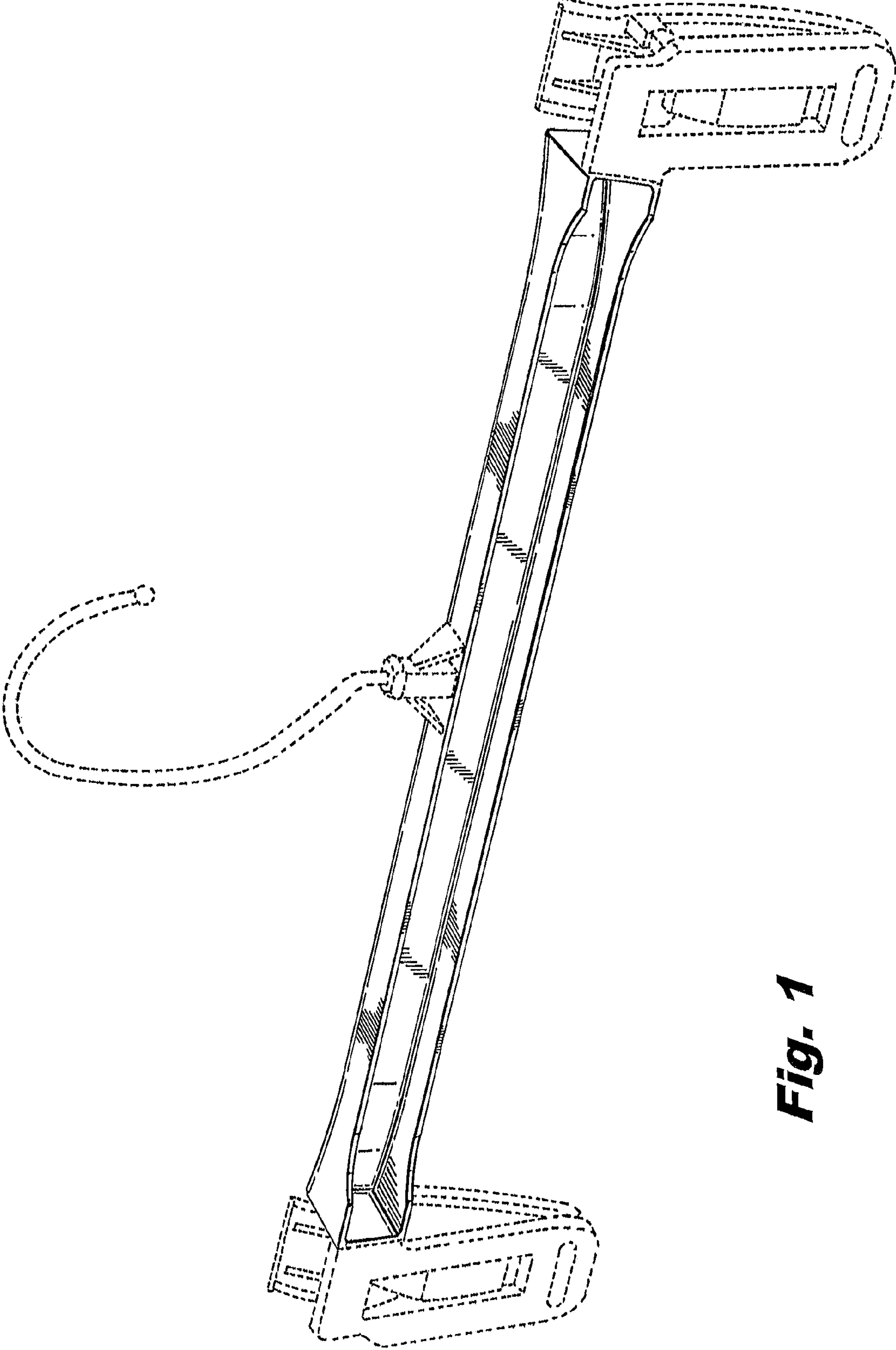
FIG. 6 is a left side elevation view thereof; and,

FIG. 7 is a right side elevation view thereof.

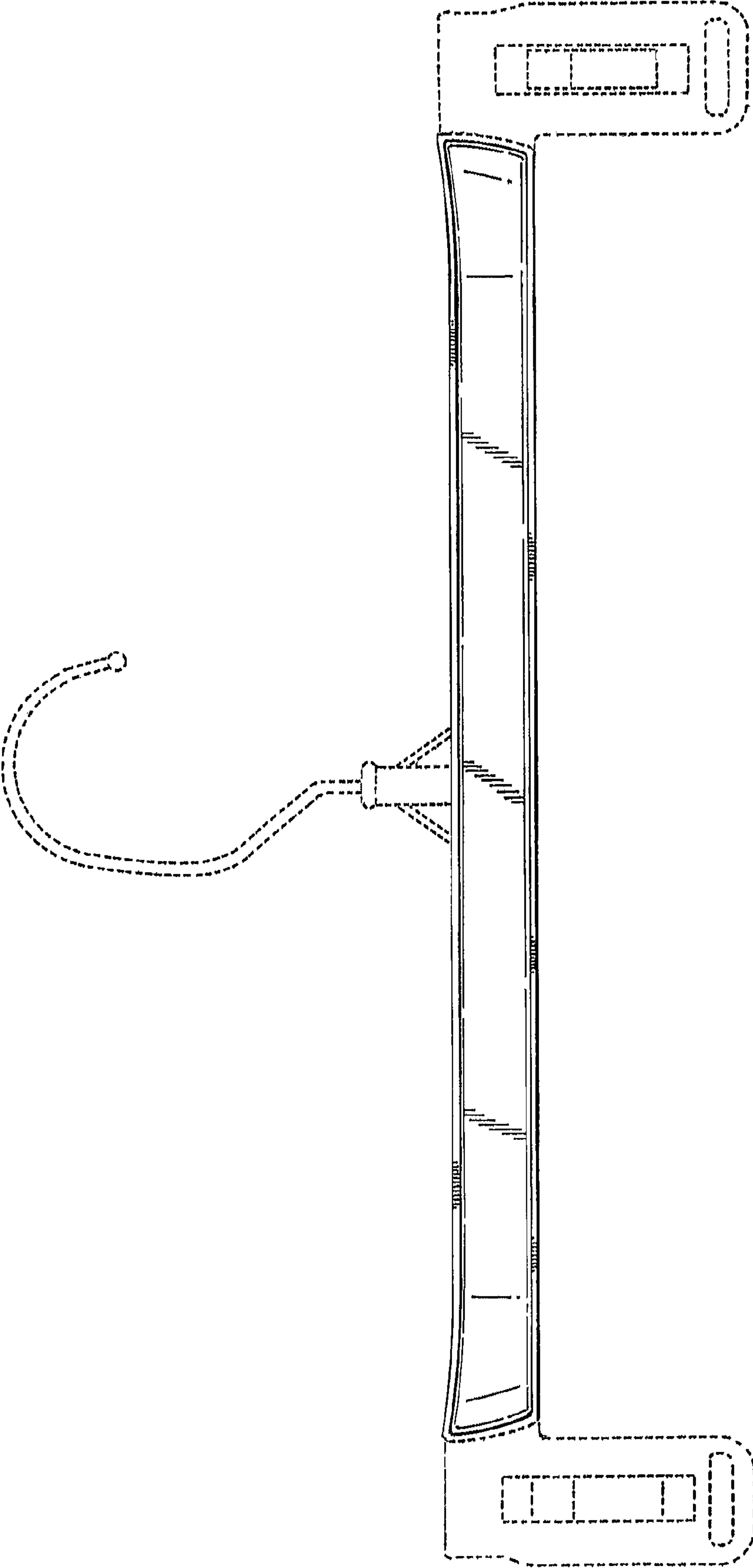
The broken line showing of a hook member and clamps represents unclaimed subject matter and forms no part of the claimed design.

**1 Claim, 5 Drawing Sheets**

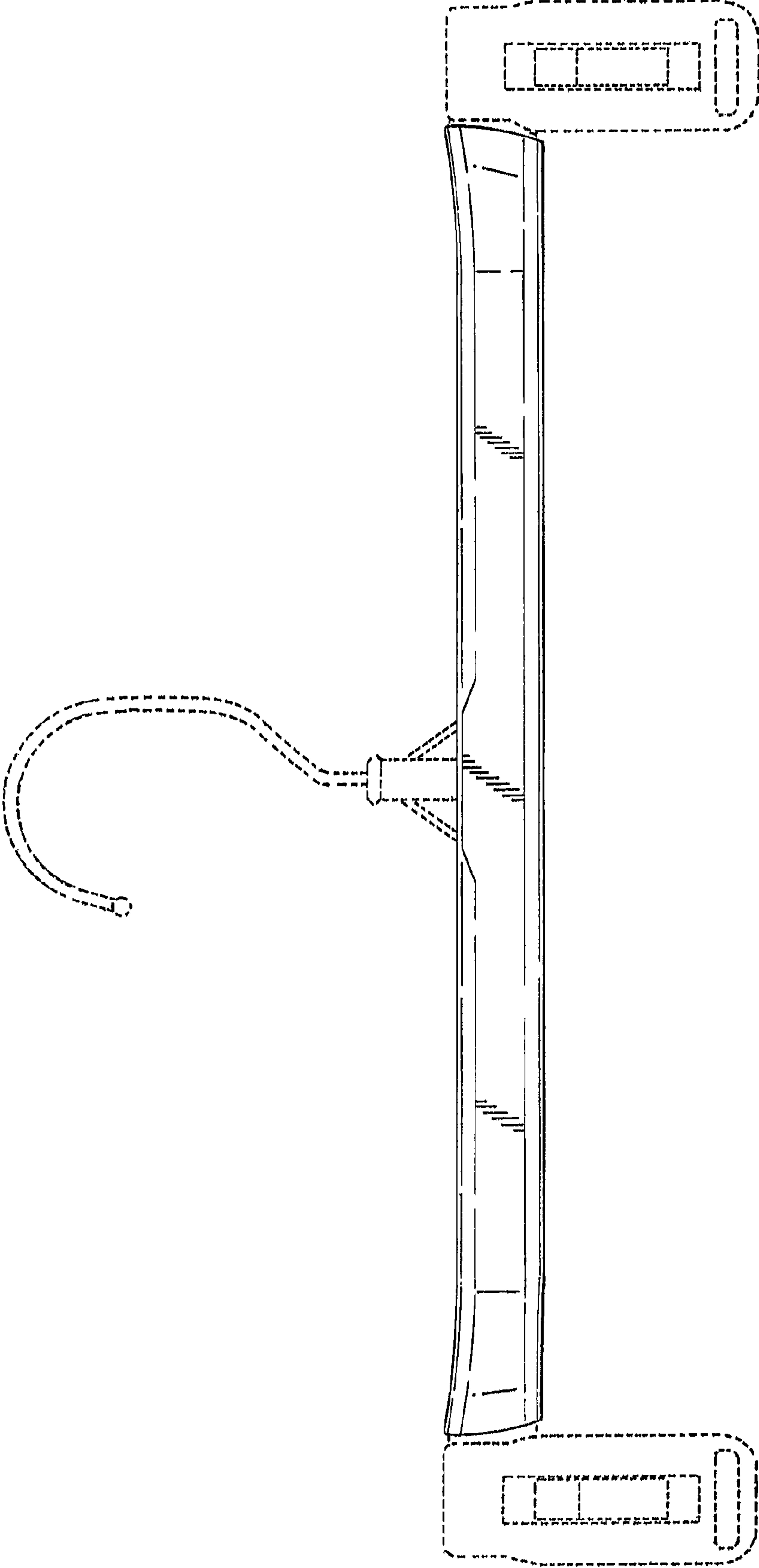




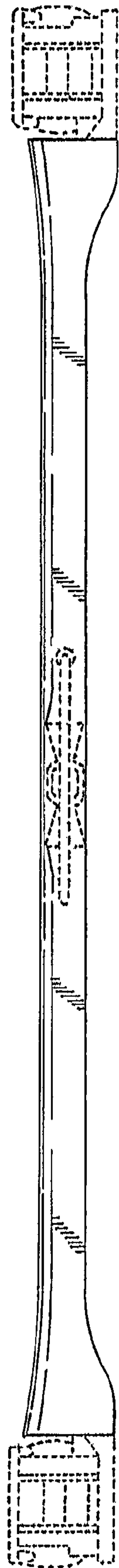
**Fig. 1**



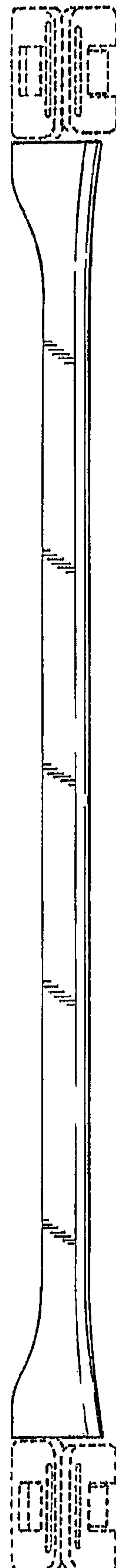
**Fig. 2**



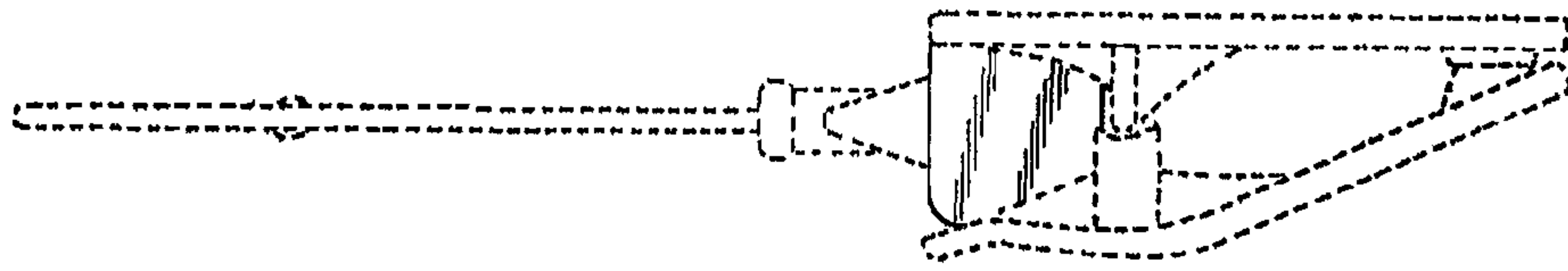
**Fig. 3**



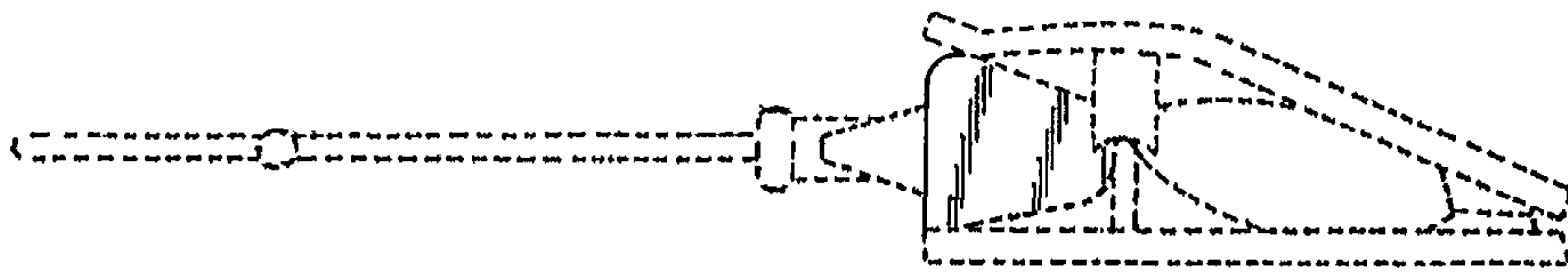
**Fig. 4**



**Fig. 5**



**Fig. 7**



**Fig. 6**