

US00D684374S

(12) **United States Design Patent**
Dobson, III

(10) **Patent No.:** **US D684,374 S**
(45) **Date of Patent:** **** Jun. 18, 2013**

(54) **SWEEPER HOUSING ASSEMBLY**

(76) **Inventor:** **Eben W. Dobson, III**, Solana Beach, CA (US)

(**) **Term:** **14 Years**

(21) **Appl. No.:** **29/425,224**

(22) **Filed:** **Jun. 20, 2012**

(51) **LOC (9) Cl.** **04-01**

(52) **U.S. Cl.**
USPC **D4/138**

(58) **Field of Classification Search**
USPC D4/132, 134, 138; 15/143.1, 159.1, 15/160, 186, 187, 191.1–193, 168, 171, 175, 15/229.1, 229.2

See application file for complete search history.

(56) **References Cited**

U.S. PATENT DOCUMENTS

D209,503 S * 12/1967 Tucker D4/134
D227,620 S * 7/1973 Lindbo D4/134
7,181,800 B2 * 2/2007 Lee 15/229.4
D555,363 S * 11/2007 Arvinte D4/134

FOREIGN PATENT DOCUMENTS

KR 30-0623201 S * 12/2011
TW D150122 S * 11/2012

OTHER PUBLICATIONS

DE 40405189-0003 Registered Design, (Südfakzwerkstatt Geneun-
nuzige Gesellschaft Mit Beschränkter Haftung) May 10, 2005,

[online], [retrieved on Feb. 23, 2013]. Retrieved from the Designs Register of the German Patent and Trade Mark Office using the Internet: <URL: <http://register.dmpa.de>>.*
DE 402009002894-0005 Registered Design, (Berendsohn AG) Oct. 9, 2009, [online], [retrieved on Feb. 23, 2013]. Retrieved from the Designs Register of the German Patent and Trade Mark Office using the Internet: <URL: <http://register.dmpa.de>>.*
WIPO DM/061157 Registered Design, (France Scope MP SRL) Oct. 31, 2002, [online], [retrieved on Jan. 4, 2013] Retrieved from the Hague Express Design Database of the World Intellectual Property Organization using the Internet: <URL: <http://www.wipo.int>>.*

* cited by examiner

Primary Examiner — Melanie H Tung
Assistant Examiner — Lavone D Tabor
(74) *Attorney, Agent, or Firm* — Roeder & Broder LLP;
James P. Broder

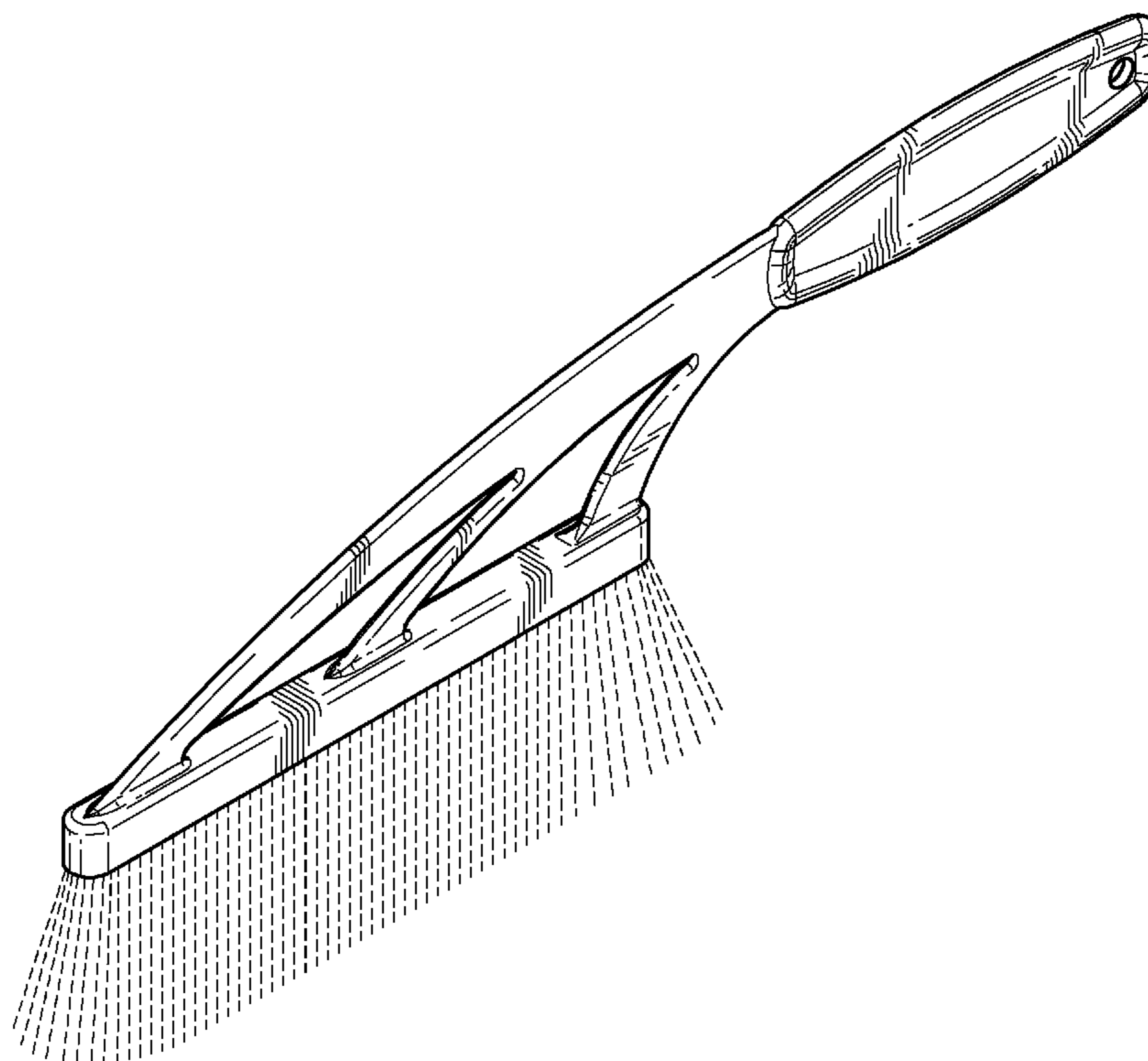
(57) **CLAIM**

The ornamental design for a sweeper housing assembly, as shown and described.

DESCRIPTION

FIG. 1 is a perspective view of a sweeper housing assembly; FIG. 2 is a side elevation view thereof; FIG. 3 is a top plan view thereof; and, FIG. 4 is an end elevation view thereof. The broken lines showing bristles illustrate environmental structure of the sweeper housing assembly and form no part of the claimed design.

1 Claim, 3 Drawing Sheets



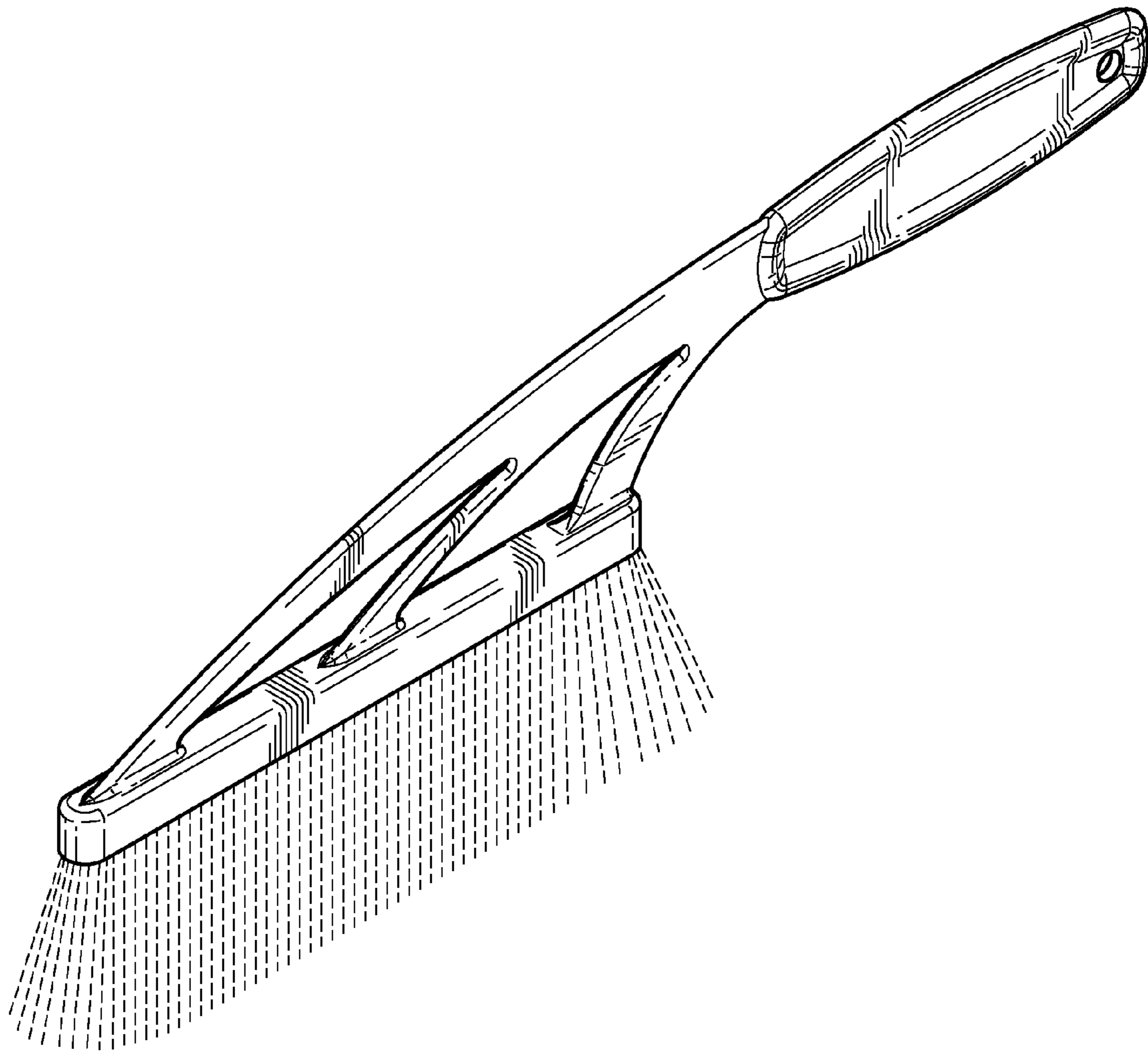


FIG. 1

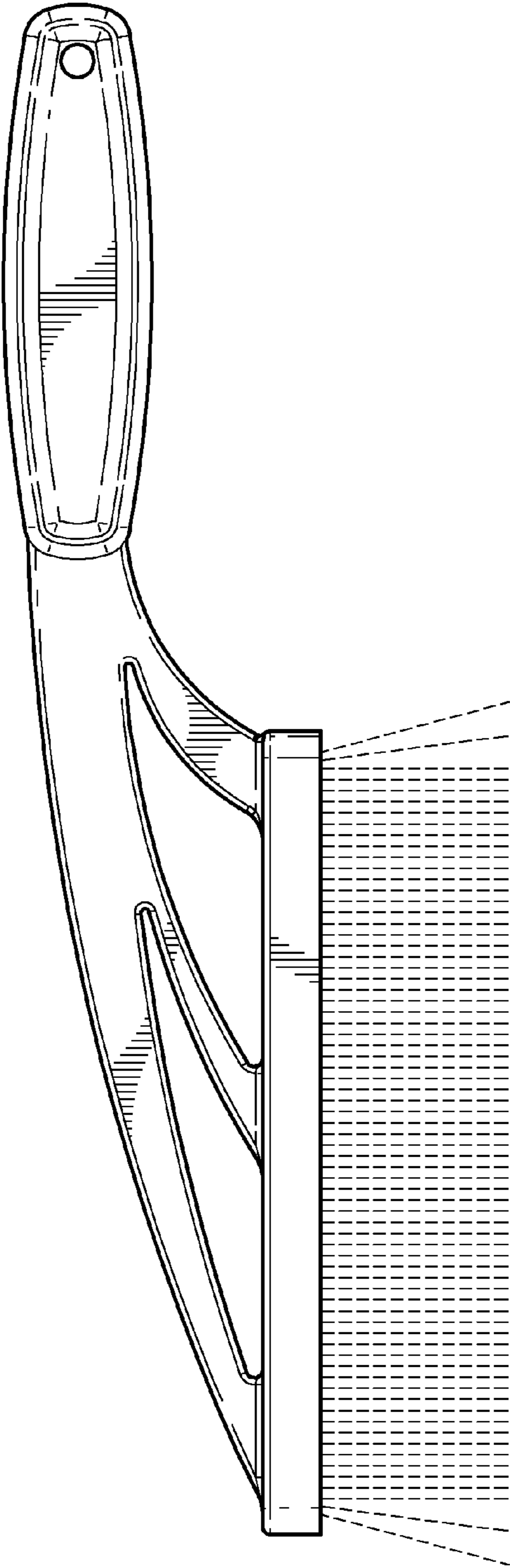


FIG. 2

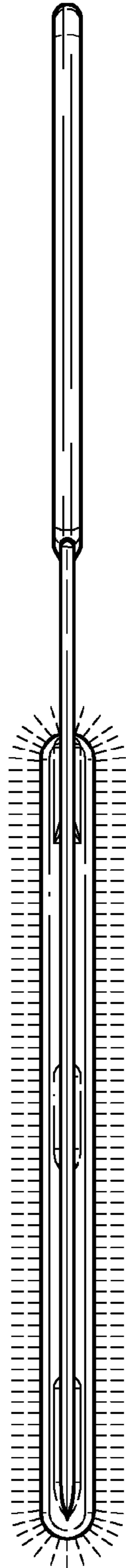


FIG. 3

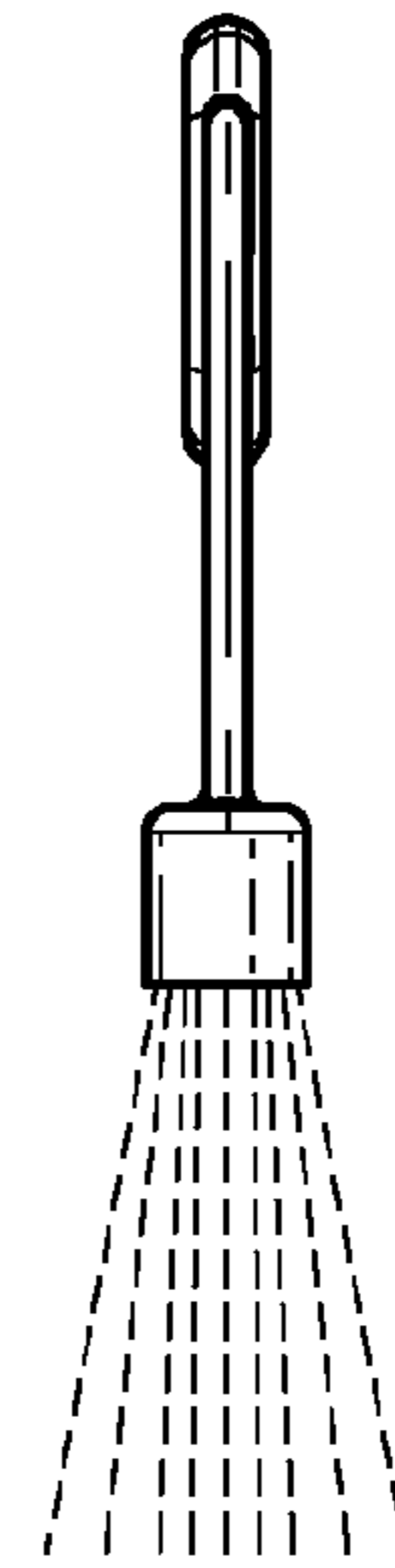


FIG. 4