



US00D684371S

(12) **United States Design Patent**
Ross

(10) **Patent No.:** **US D684,371 S**
(45) **Date of Patent:** **** Jun. 18, 2013**

(54) **HANDBAG WITH INTERCHANGEABLE MEDALLION**

(76) Inventor: **Jennifer Ross**, Apex, NC (US)

(**) Term: **14 Years**

(21) Appl. No.: **29/418,933**

(22) Filed: **Apr. 23, 2012**

(51) **LOC (9) Cl.** **03-01**

(52) **U.S. Cl.**
USPC **D3/318**

(58) **Field of Classification Search**
USPC D3/318, 232-233, 240-246; 150/100,
150/103-110, 113-114, 117-119
See application file for complete search history.

(56) **References Cited**

U.S. PATENT DOCUMENTS

D463,757 S *	10/2002	Enneguess, III	D11/232
D475,322 S *	6/2003	Ouellette et al.	D11/222
D574,612 S *	8/2008	Gonzalez	D3/232

* cited by examiner

Primary Examiner — Holly Baynham

(74) *Attorney, Agent, or Firm* — Mitchell Law PLLC;
Matthew W. Mitchell

(57) **CLAIM**

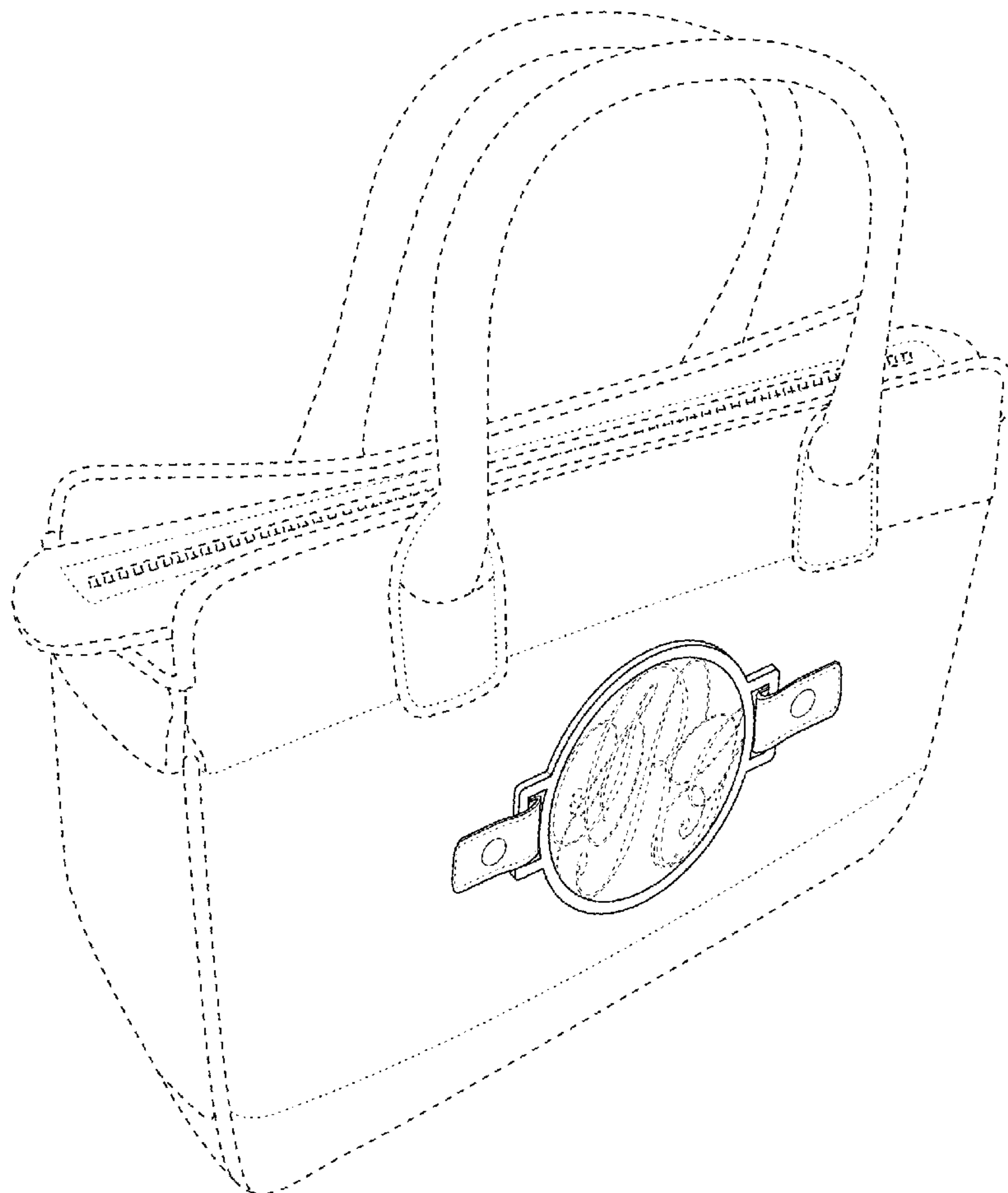
The ornamental design for a handbag with interchangeable medallion, as shown.

DESCRIPTION

FIG. 1 is a front perspective view of the handbag with interchangeable medallion of the present invention; and, FIG. 2 is a front view of the handbag with interchangeable medallion of FIG. 1.

The broken lines showing a handbag are for the purposes of illustrating environment and form no part of the claimed design.

1 Claim, 2 Drawing Sheets



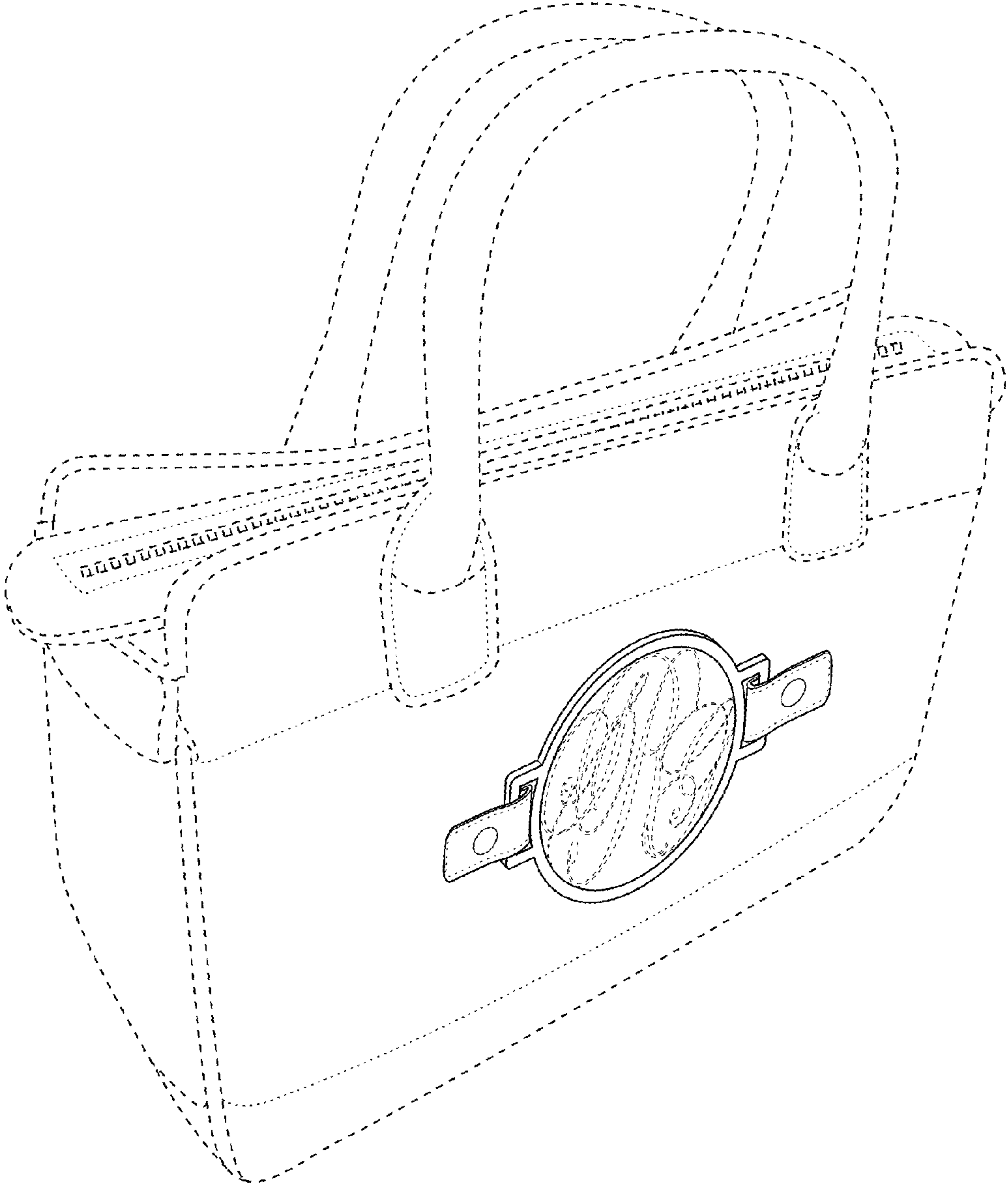


FIG. 1

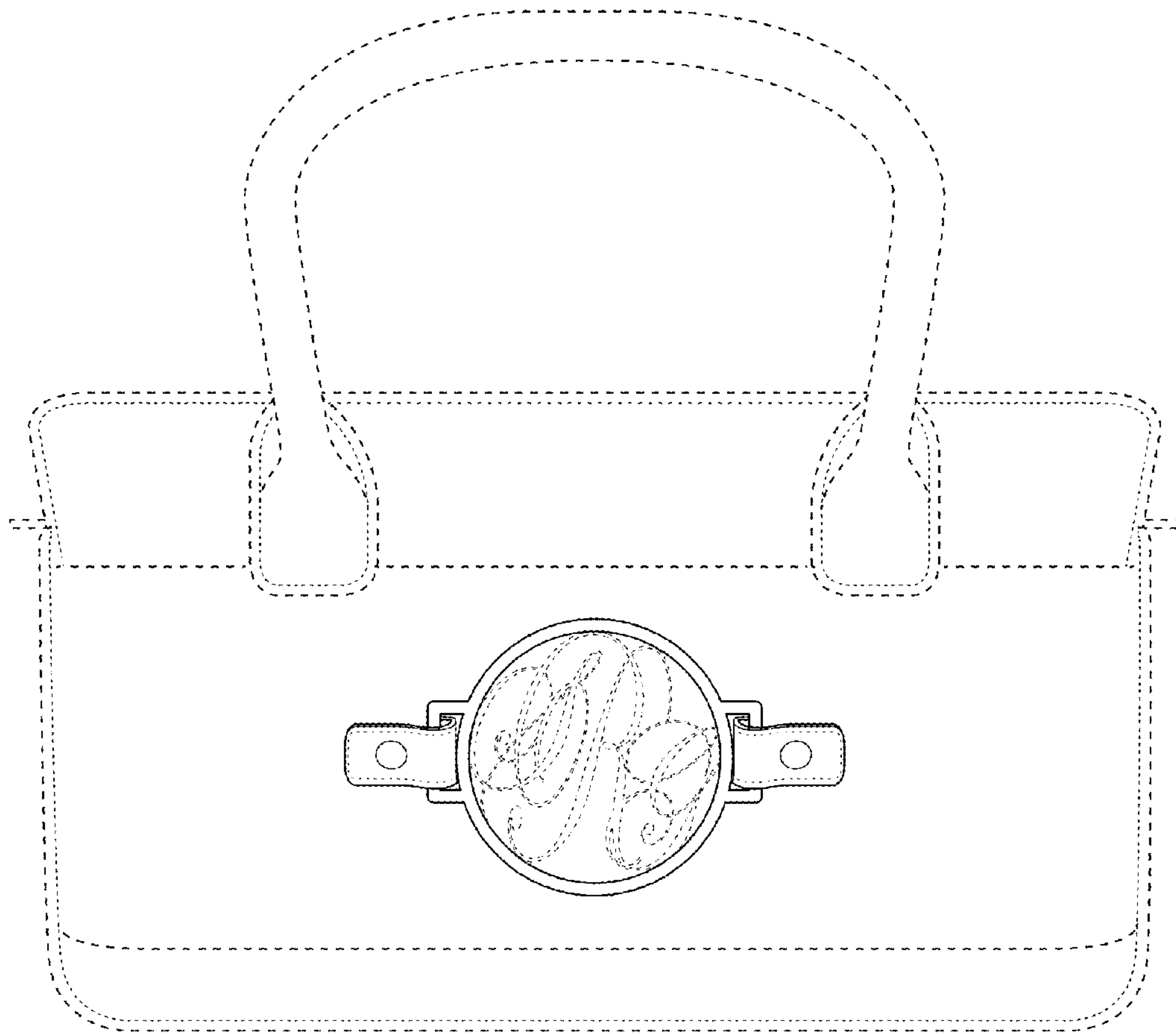


FIG. 2