



US00D684370S

(12) **United States Design Patent**  
**Ford**

(10) **Patent No.:** **US D684,370 S**  
(45) **Date of Patent:** **\*\* Jun. 18, 2013**

(54) **CLASP HANDLE**

(76) Inventor: **Thomas C. Ford**, Los Angeles, CA (US)

(\*\*) Term: **14 Years**

(21) Appl. No.: **29/413,804**

(22) Filed: **Feb. 21, 2012**

(51) **LOC (9) Cl.** ..... **03-01**

(52) **U.S. Cl.**  
USPC ..... **D3/318**

(58) **Field of Classification Search**  
USPC ..... D3/318, 232-233, 240-246; 150/100,  
150/103-110, 113-114, 117-119  
See application file for complete search history.

(56) **References Cited**

U.S. PATENT DOCUMENTS

D278,878 S *	5/1985	Workman et al. ....	D8/300
D463,124 S *	9/2002	Godshaw et al. ....	D3/318
D507,405 S *	7/2005	Kim et al. ....	D3/318
D527,183 S *	8/2006	Moon ....	D3/318

\* cited by examiner

*Primary Examiner* — Holly Baynham

(74) *Attorney, Agent, or Firm* — Goodwin Procter LLP

(57) **CLAIM**

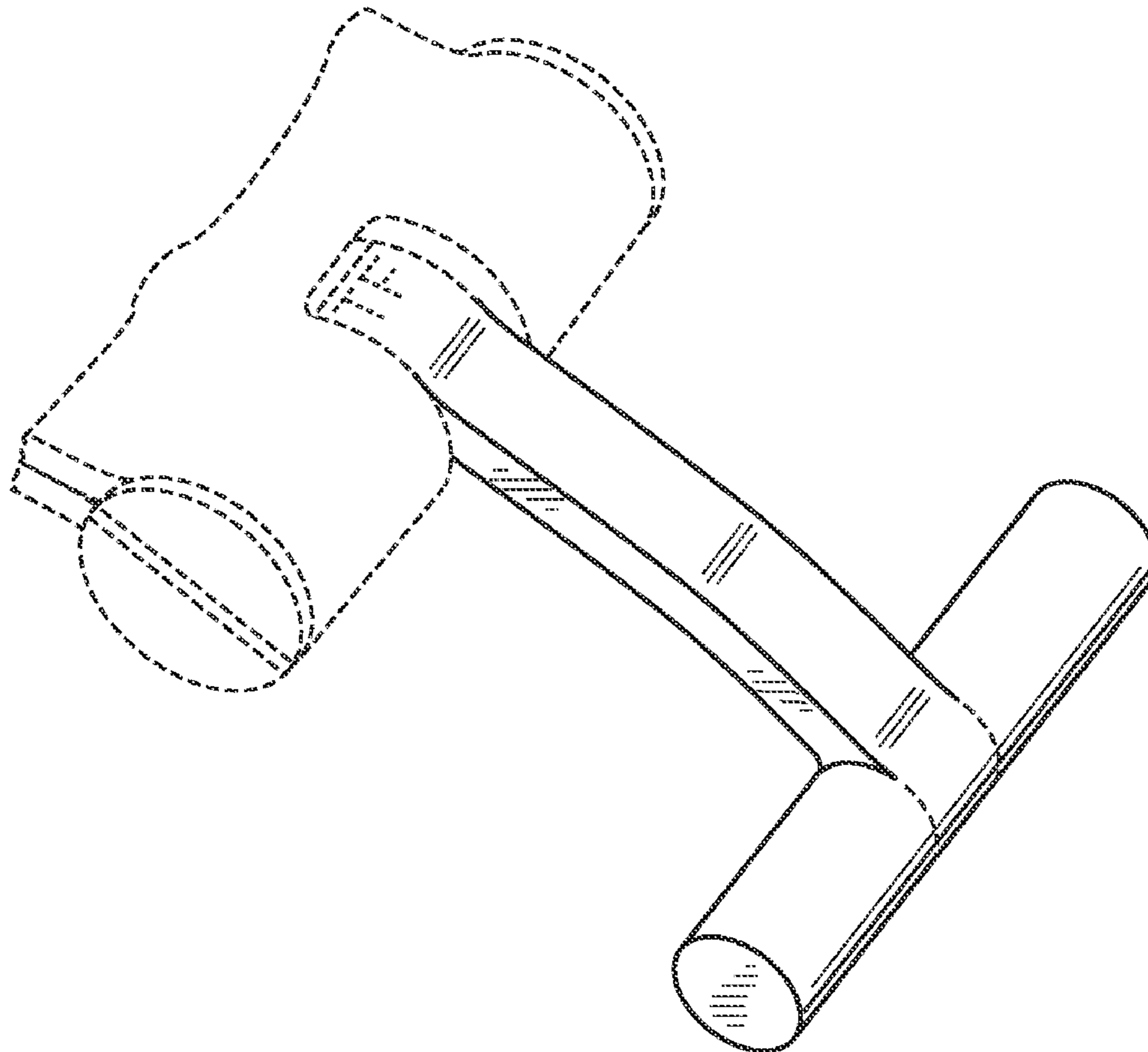
The ornamental design for a clasp handle, as shown and described.

**DESCRIPTION**

FIG. 1 is a top, environmental, perspective view of a clasp handle showing my new design;  
 FIG. 2 is a top plan view thereof;  
 FIG. 3 is a bottom plan view thereof;  
 FIG. 4 is a left side view thereof;  
 FIG. 5 is a front view thereof;  
 FIG. 6 is a reduced scale, environmental perspective view thereof;  
 FIG. 7 is an enlarged top, environmental, perspective view of a second embodiment of the view shown in FIG. 1;  
 FIG. 8 is a top plan view thereof;  
 FIG. 9 is a bottom plan view thereof;  
 FIG. 10 is a left side view thereof; and,  
 FIG. 11 is a front view thereof.

The broken lines showing portions of the bag, belt and fastener are included for the purpose of illustrating environment and forms no part of the claimed design.

**1 Claim, 7 Drawing Sheets**



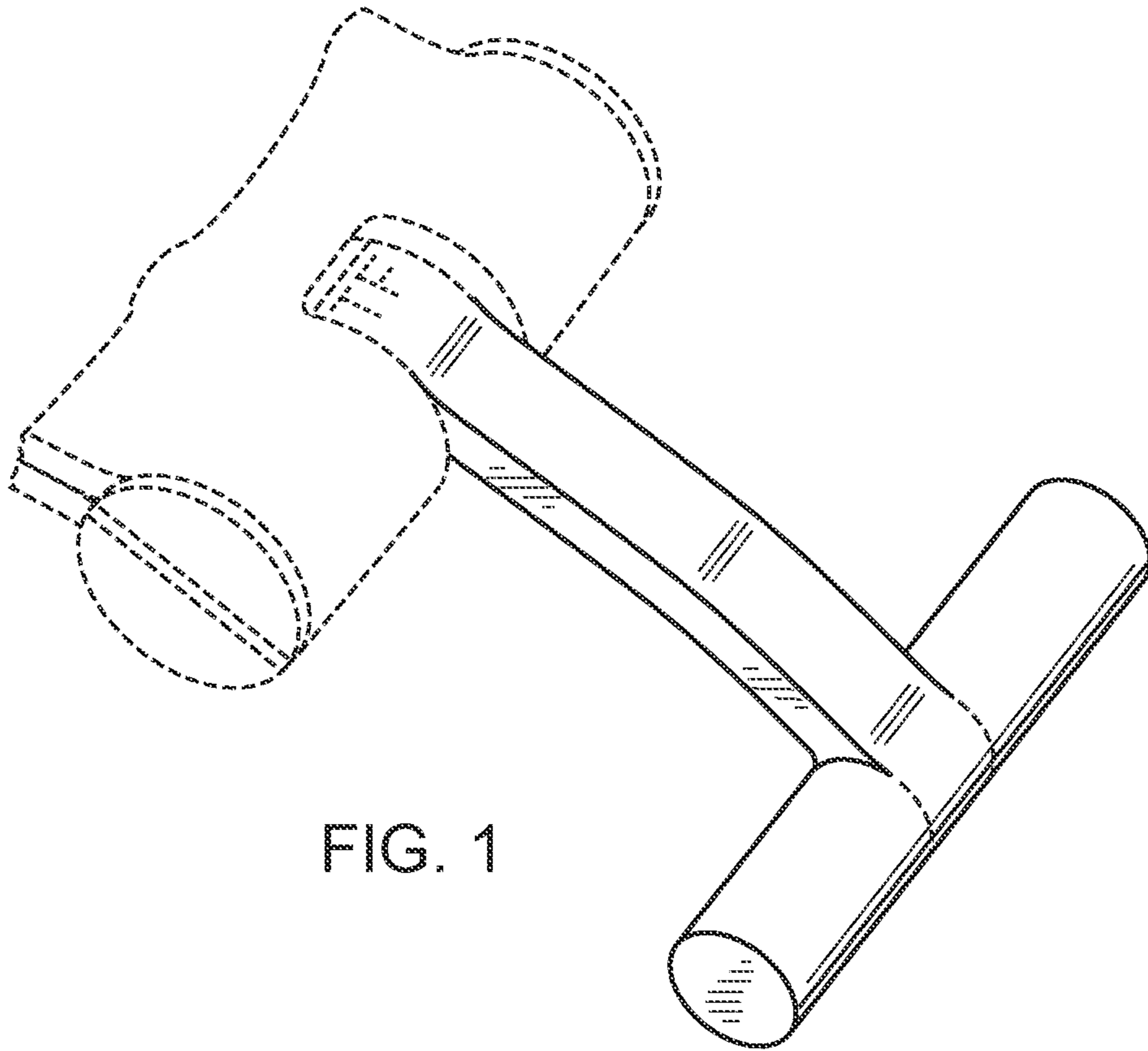


FIG. 1

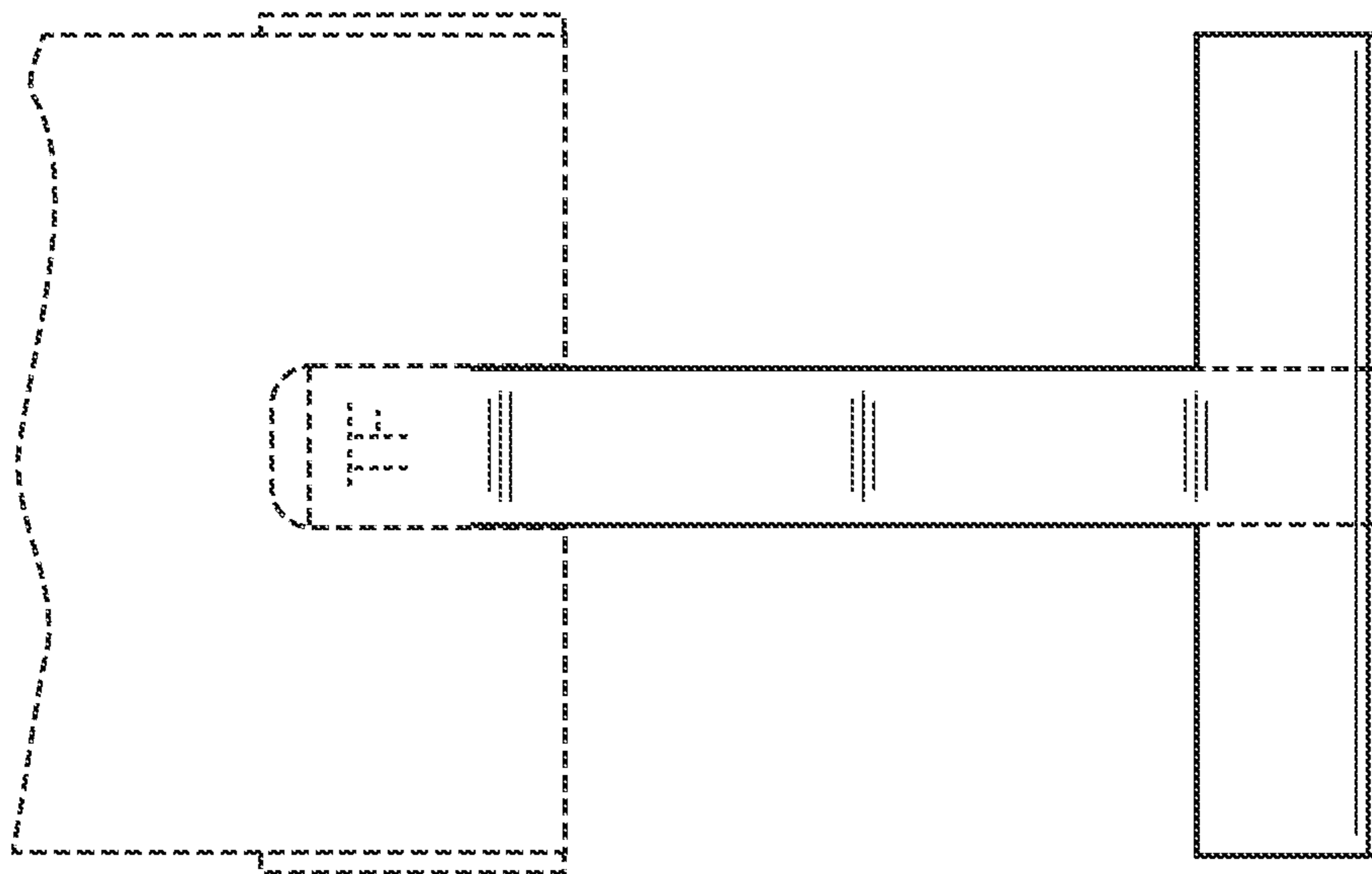


FIG. 2

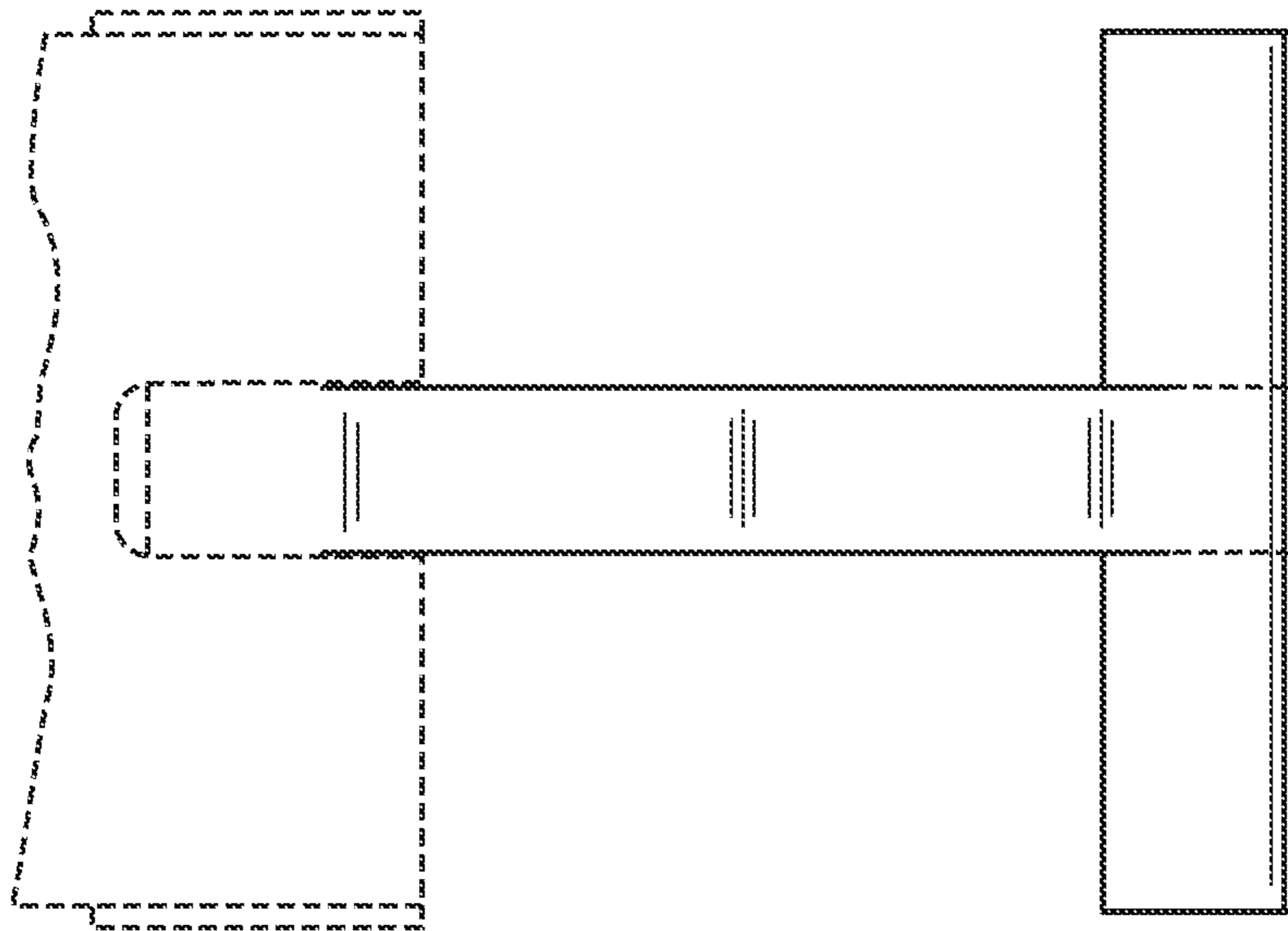


FIG. 3



FIG. 4

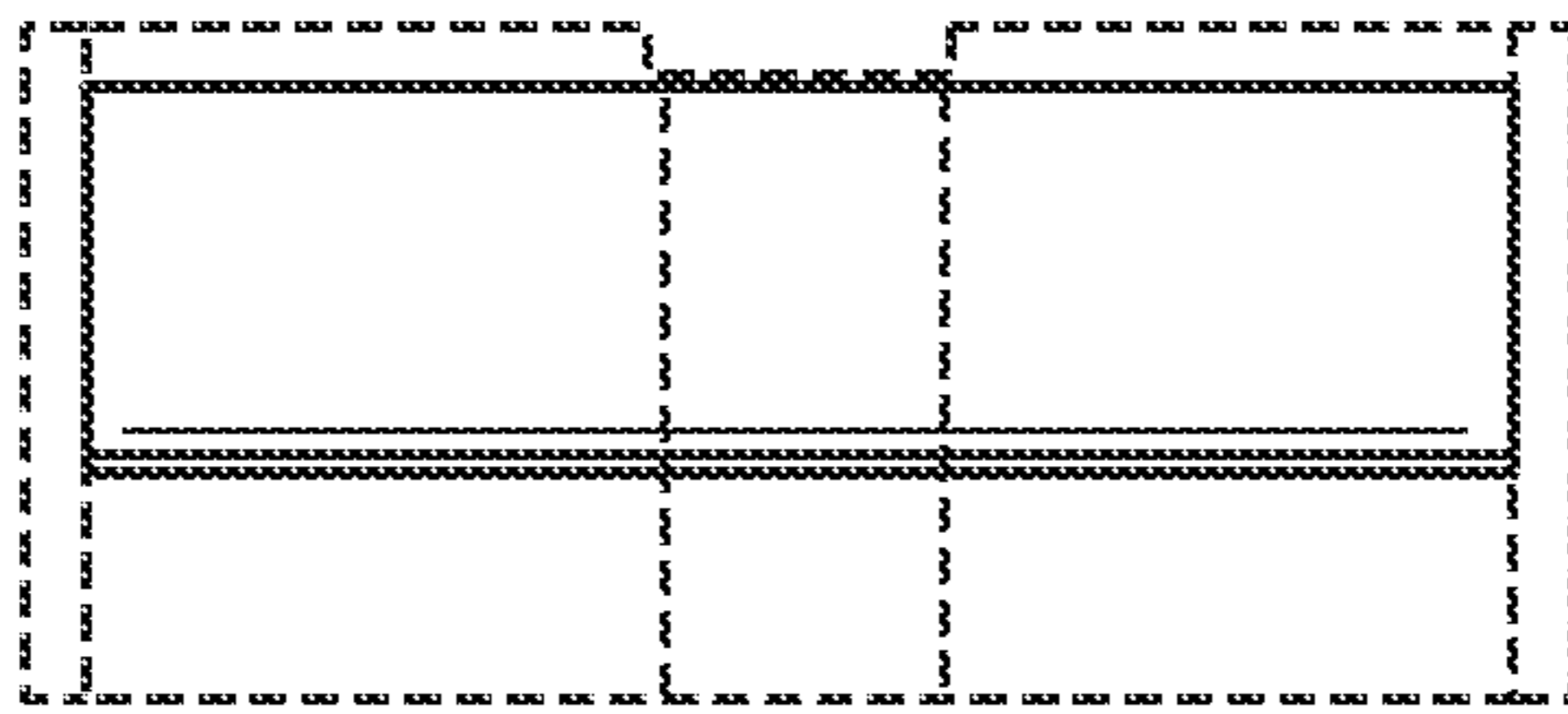


FIG. 5

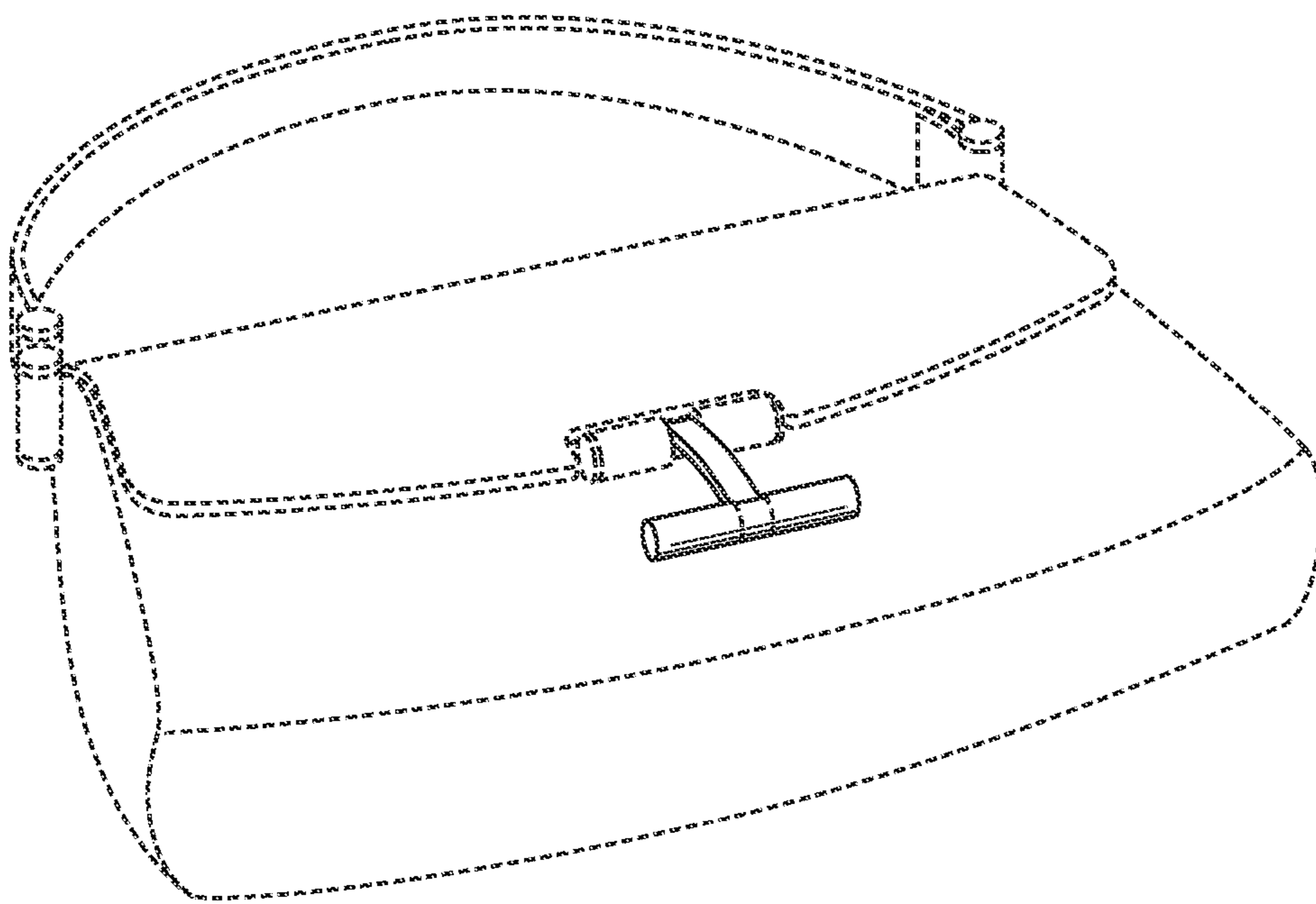


FIG. 6

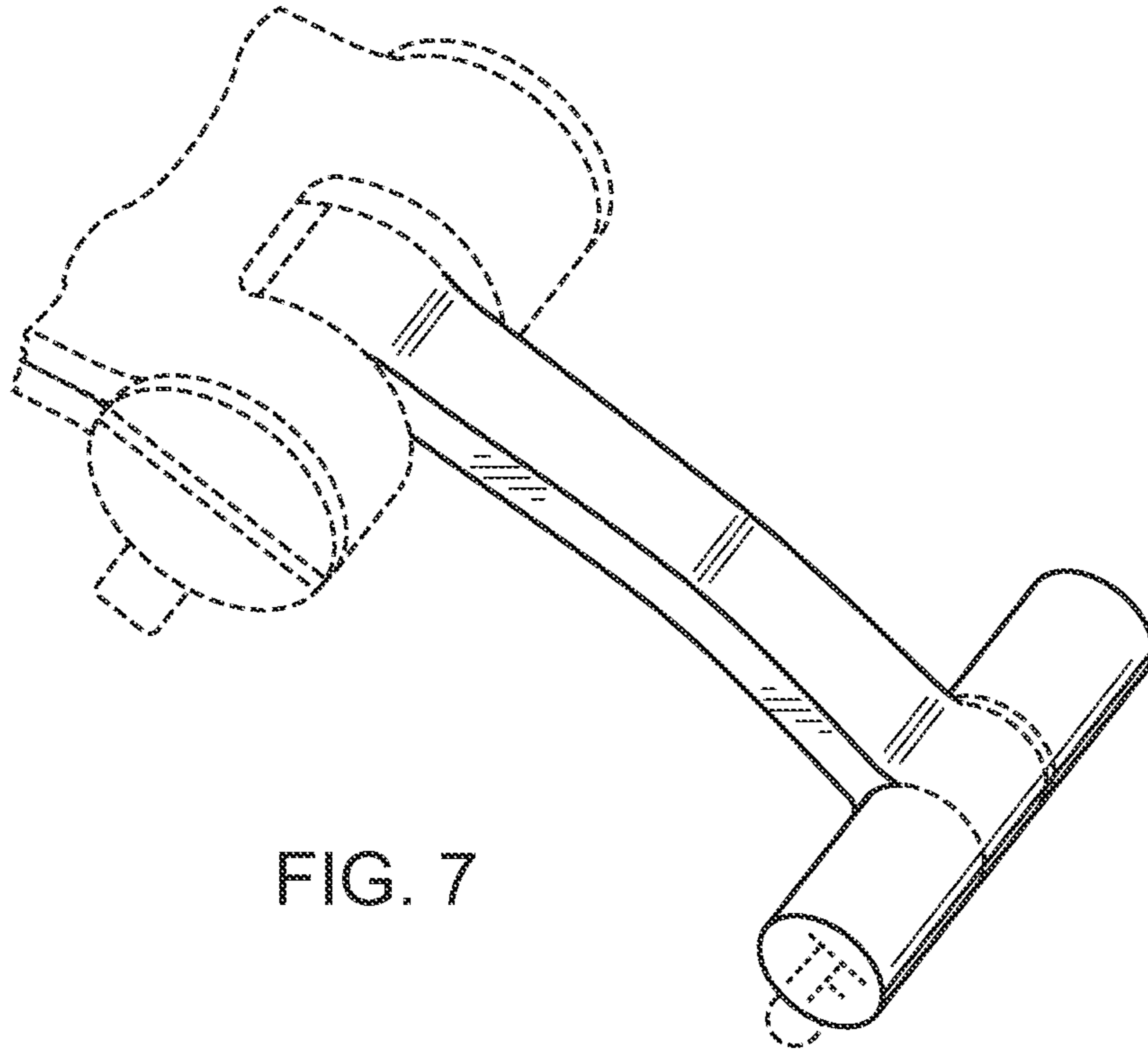


FIG. 7

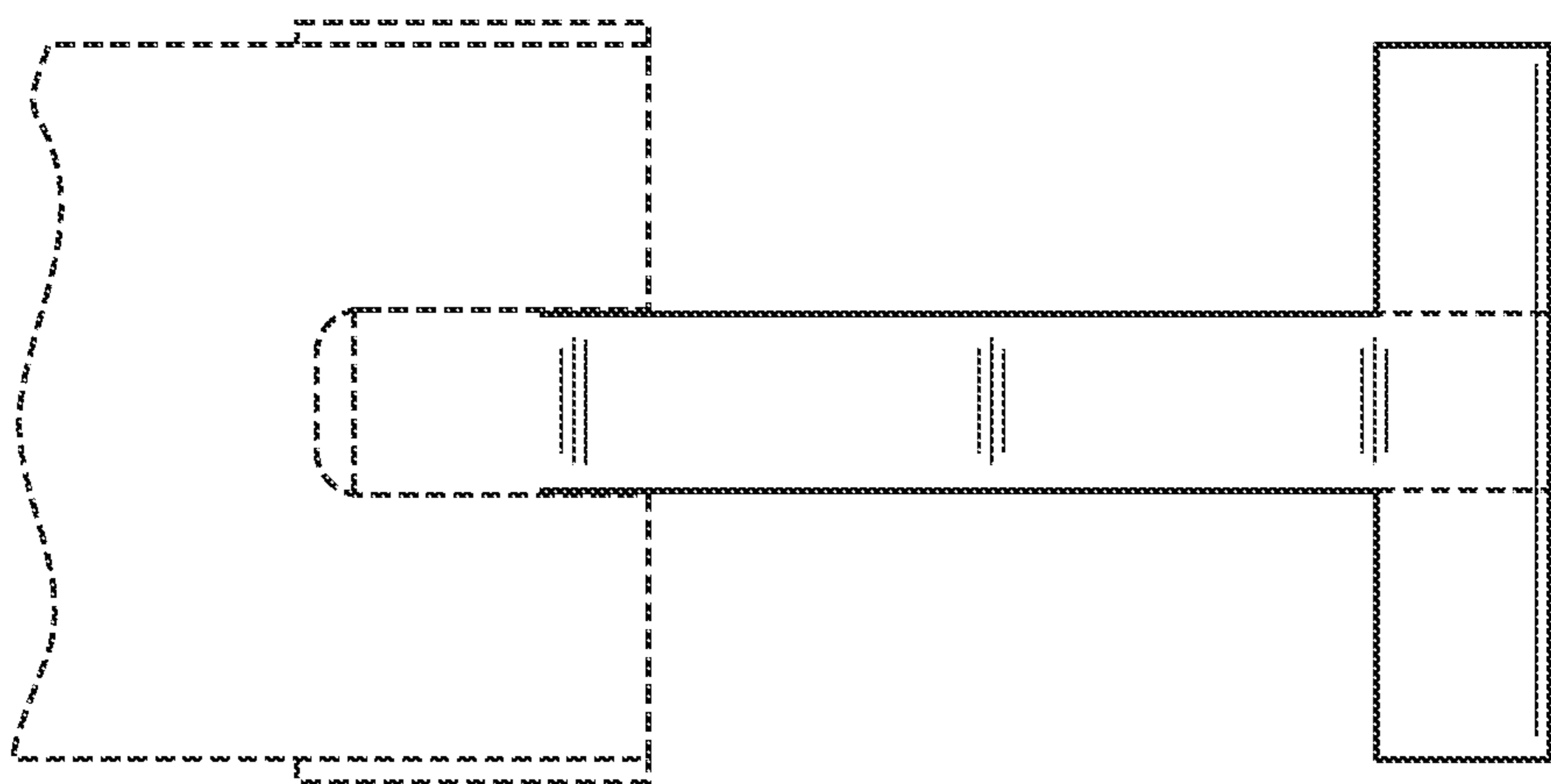


FIG. 8

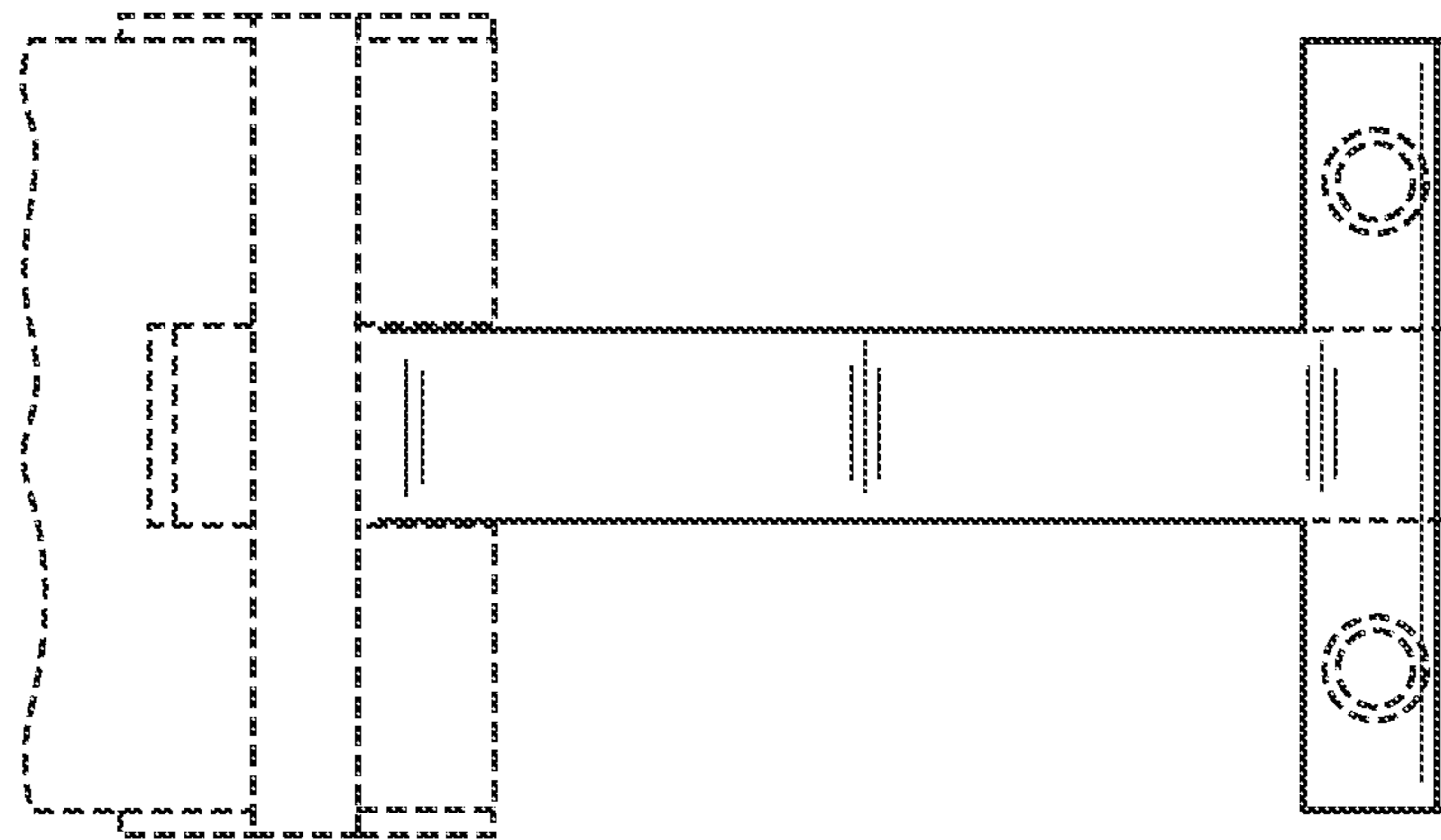


FIG. 9

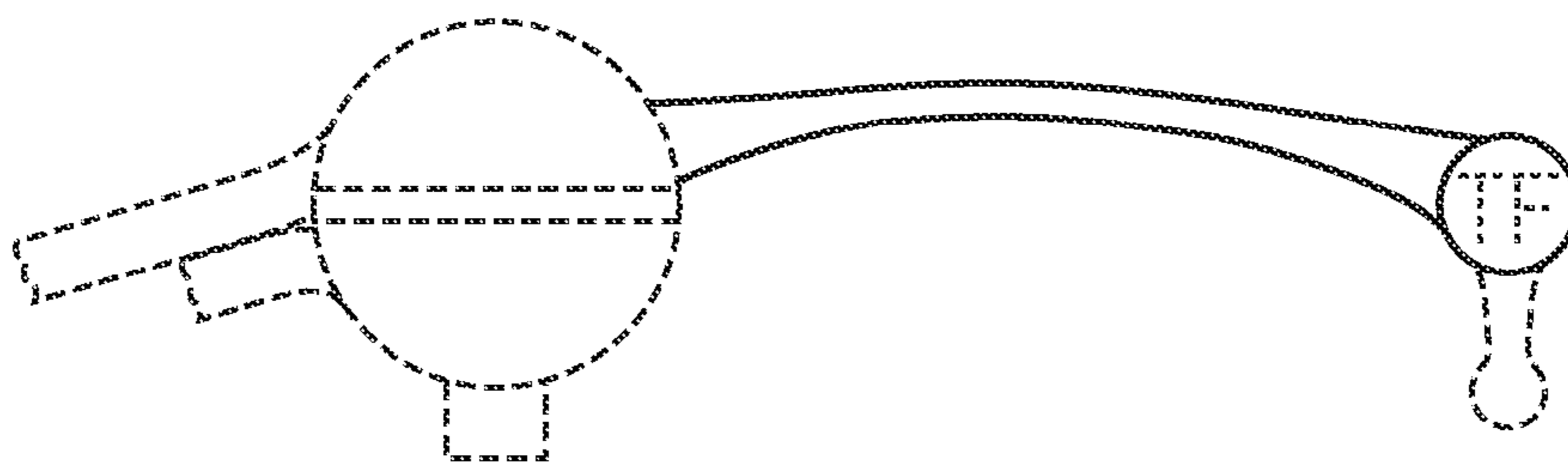


FIG. 10

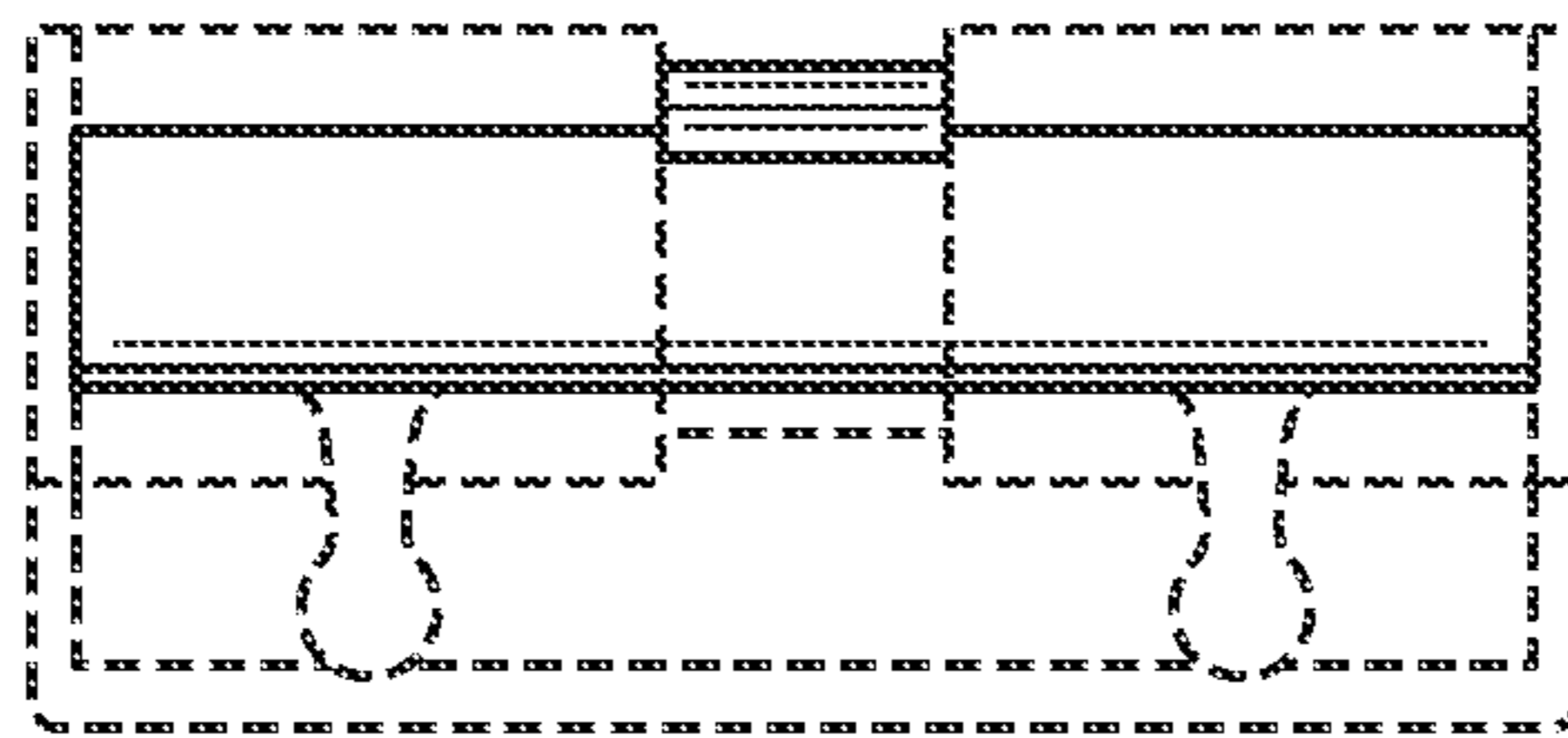


FIG. 11