



US00D684364S

(12) **United States Design Patent**
Leblanc

(10) **Patent No.:** **US D684,364 S**
(45) **Date of Patent:** **** Jun. 18, 2013**

(54) **CONTAINER**

(71) Applicant: **MEGA Brands Inc.**, Montreal (CA)

(72) Inventor: **Julie Leblanc**, Laval (CA)

(73) Assignee: **MEGA Brands Inc.**, Montreal, Quebec (CA)

(**) Term: **14 Years**

(21) Appl. No.: **29/439,903**

(22) Filed: **Dec. 17, 2012**

(51) **LOC (9) Cl.** **03-01**

(52) **U.S. Cl.**
USPC **D3/289; D3/301; D3/321**

(58) **Field of Classification Search**
USPC 383/6-31, 67, 97, 106, 901, 907,
383/61.3; D3/273, 276, 285, 287, 289, 290,
D3/291, 299, 301, 318, 321, 324-326, 232,
D3/242, 243, 231; 190/115, 124-127;
D7/607-608; 206/232

See application file for complete search history.

(56) **References Cited**

U.S. PATENT DOCUMENTS

1,949,677 A * 3/1934 Crawford 383/96
2,954,891 A * 10/1960 Imber 383/20

(Continued)

OTHER PUBLICATIONS

Design U.S. Appl. No. 29/388,982, filed Apr. 5, 2011. Assignee Mega Brands Inc.

(Continued)

Primary Examiner — Jennifer Rivard

(74) *Attorney, Agent, or Firm* — Plumsea Law Group, LLC

(57) **CLAIM**

I claim the ornamental design for a container, as shown and described.

DESCRIPTION

FIG. 1 is a front perspective view of a container showing the new design;

FIG. 2 is a rear perspective view of the container of FIG. 1;

FIG. 3 is a front elevational view of the container of FIG. 1;

FIG. 4 is a rear elevational view of the container of FIG. 1;

FIG. 5 is a right side elevational view of the container of FIG. 1;

FIG. 6 is a left side elevational view of the container of FIG. 1;

FIG. 7 is a top plan view of the container of FIG. 1;

FIG. 8 is a bottom plan view of the container of FIG. 1;

FIG. 9 is a front perspective view of a second embodiment of FIG. 1;

FIG. 10 is a rear perspective view of the container of FIG. 9;

FIG. 11 is a front elevational view of the container of FIG. 9;

FIG. 12 is a rear elevational view of the container of FIG. 9;

FIG. 13 is a right side elevational view of the container of FIG. 9;

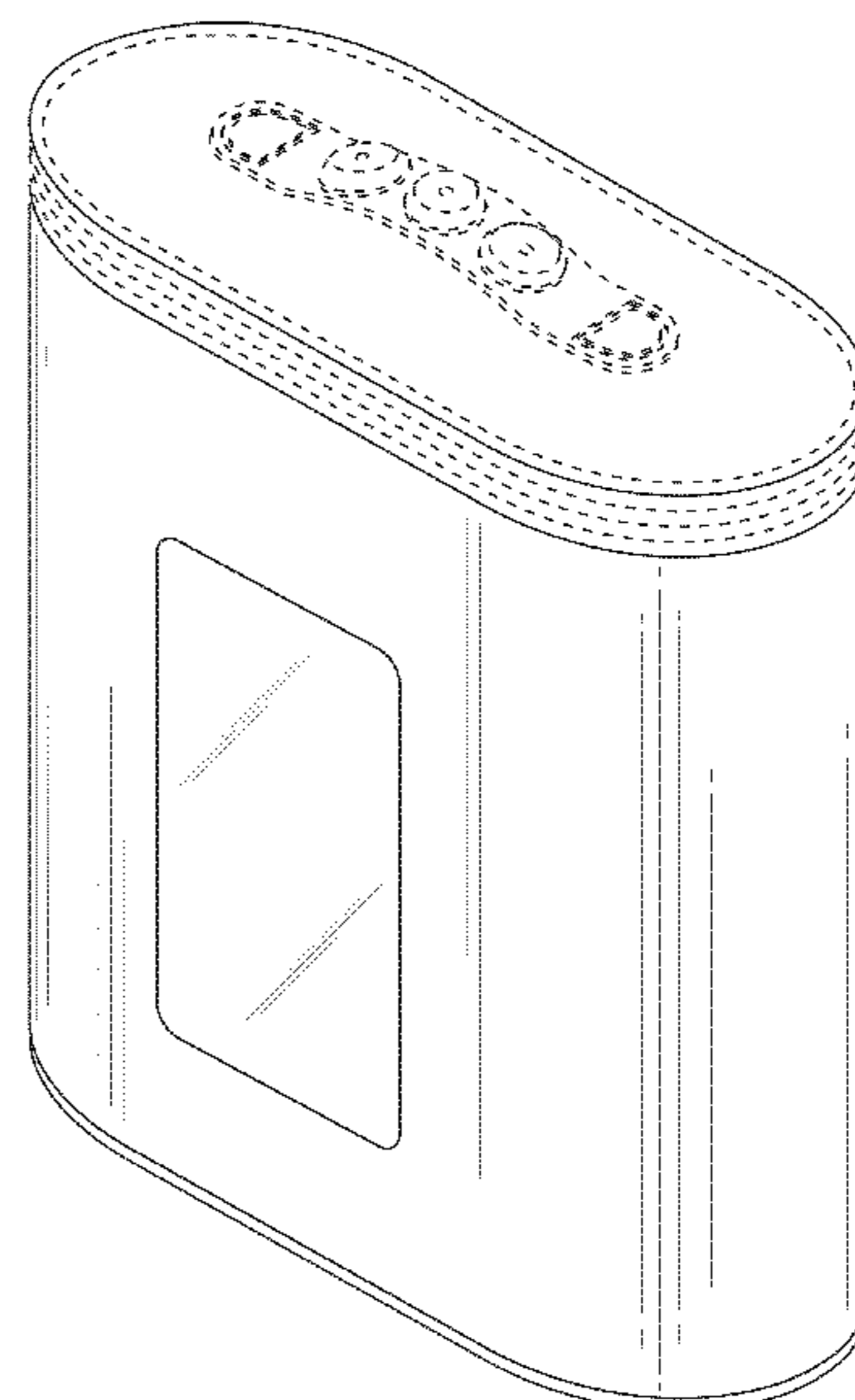
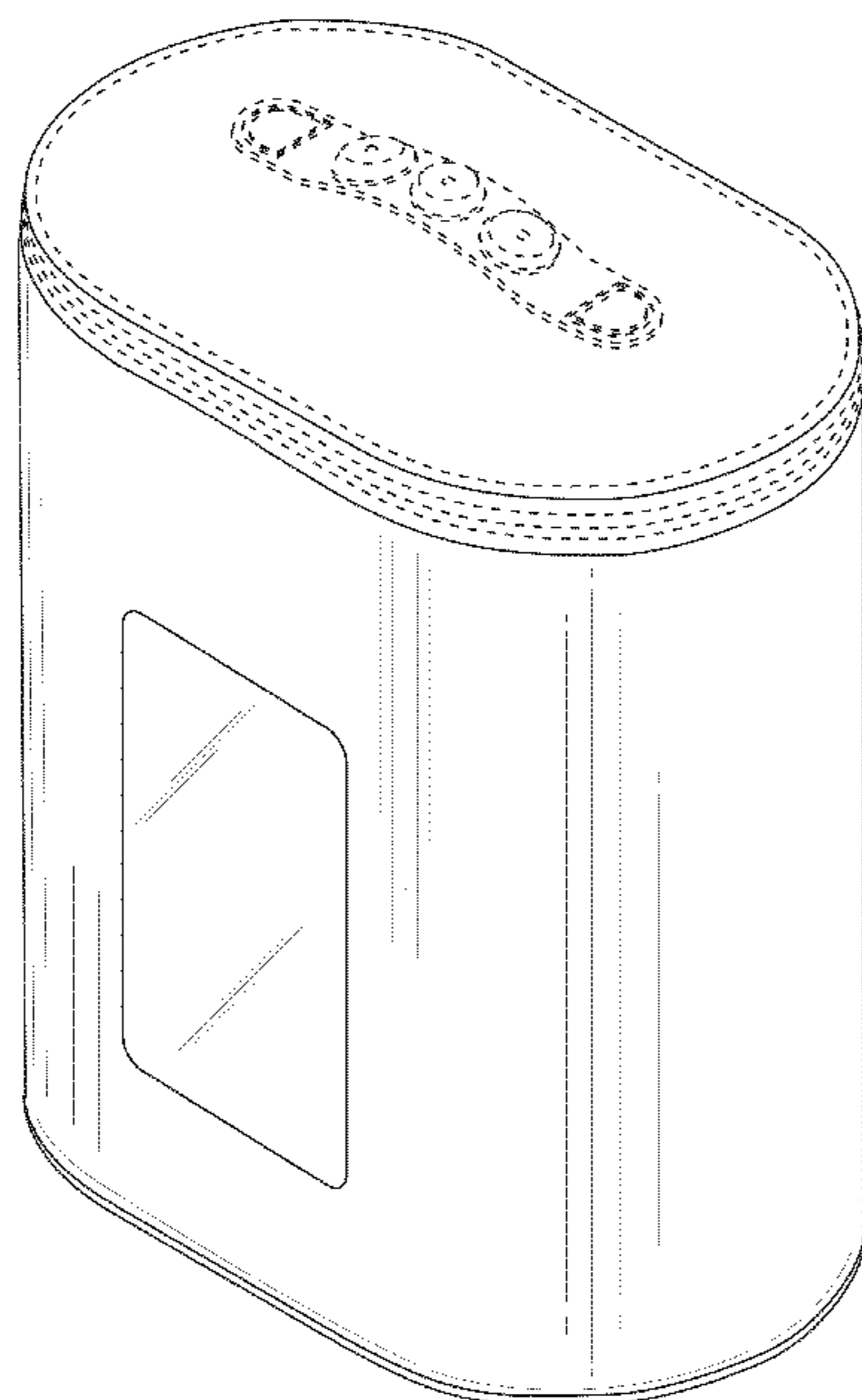
FIG. 14 is a left side elevational view of the container of FIG. 9;

FIG. 15 is a top plan view of the container of FIG. 9; and,

FIG. 16 is a bottom plan view of the container of FIG. 9.

The broken lines immediately adjacent the solid contour lines along the top and bottom surfaces of the container represent the bounds of the claim. The remaining broken lines illustrate portions of the container. None of the broken lines forms part of the claimed design.

1 Claim, 16 Drawing Sheets



U.S. PATENT DOCUMENTS

3,312,337 A 4/1967 Martin
 D232,214 S 7/1974 Biderman
 3,842,977 A * 10/1974 Hollander 383/907
 D306,094 S * 2/1990 Carmichael D3/276
 5,035,324 A 7/1991 Bertrand
 5,083,700 A 1/1992 Mello et al.
 D351,499 S 10/1994 Gay et al.
 D381,200 S 7/1997 Benson
 D391,074 S 2/1998 Bean et al.
 D399,622 S 10/1998 Rashid
 D404,867 S 1/1999 Rashid
 D404,913 S 2/1999 Campbell
 5,894,780 A * 4/1999 Taniguchi 383/903
 D435,727 S 1/2001 Gordon
 D437,483 S 2/2001 Bisbal et al.
 6,328,158 B1 * 12/2001 Bisbal et al. 206/223
 D466,809 S 12/2002 Sagel
 D472,378 S 4/2003 Hassett
 D478,669 S 8/2003 Wear
 D480,209 S * 10/2003 Davis et al. D3/289
 D485,066 S 1/2004 Wolf
 D525,872 S 8/2006 Haubert et al.
 D527,644 S 9/2006 Bakic
 D530,223 S 10/2006 Mau et al.
 D537,711 S * 3/2007 Limber D3/301
 D539,136 S * 3/2007 Limber D3/301
 D551,447 S * 9/2007 Ogawa D3/289
 D554,863 S 11/2007 Ayala
 D563,099 S 3/2008 Sandman
 7,549,548 B2 6/2009 Kraus et al.
 D596,856 S * 7/2009 Udwin D3/289
 D605,051 S 12/2009 Bohache et al.
 D611,253 S 3/2010 Lown et al.
 D627,606 S * 11/2010 Chuang D7/601
 D637,809 S 5/2011 Meldeau
 D639,676 S * 6/2011 Wang D9/704
 D652,214 S 1/2012 Swartz et al.
 D655,085 S * 3/2012 Holbrook D3/289
 D660,597 S 5/2012 Leblanc
 D664,261 S 7/2012 Kravitz et al.
 2003/0217623 A1 11/2003 Brown
 2006/0213856 A1 9/2006 Kraus et al.
 2007/0065049 A1 3/2007 Alldredge-Howard et al.
 2008/0302680 A1 12/2008 Lord
 2012/0111751 A1 * 5/2012 Kryshak et al. 206/389

OTHER PUBLICATIONS

Excerpt of Toys-R-Us Product Circular, Oct. 31-Nov. 24, 2010, including cover and pp. 6 and 56.
 Excerpt of Mega Bloks 2002 Product Catalog, including cover, unnumbered page, and pp. 6 and 7.
 Excerpt of Mega Bloks 2003 Product Catalog, including cover and pp. 2 and 20.
 Excerpt of Mega Bloks 2004 Product Catalog, including cover, table of contents, and p. 8.
 Excerpt of Mega Bloks International 2005 Product Catalog, including cover, table of contents (p. 1), and p. 9.
 Excerpt of Mega Bloks International 2006 Product Catalog, including cover, table of contents, and p. 2.
 Excerpt of Mega Brands Inc. International 2007 Product Catalog, including cover, table of contents, and pp. 4 and 14.
 Excerpt of Mega Brands Inc. International 2008 Toys & Activities Product Catalog, including cover, table of contents, and pp. 5 and 13.
 Excerpt of Mega Brands Inc. 2010 Product Catalog, including cover, table of contents, and p. 4.
 Excerpt of Mega Bloks 1994 Product Catalog, including cover, 3 pages total.
 Excerpt of Mega Bloks 1995 Product Catalog, including cover, 4 pages total.
 Excerpt of Mega Bloks 1996 Product Catalog, including cover, table of contents, and pp. 4-6; 5 pages total.
 Excerpt of Mega Bloks 1997 Product Catalog, including cover, 3 pages total.
 Excerpt of Mega Bloks 1998 Product Catalog, including cover, 3 pages total.
 Excerpt of Mega Bloks 1999 Product Catalog, including cover, 3 pages total.
 Excerpt of Mega Bloks 2000 Product Catalog, including cover, 2 pages total.
 Excerpt of Mega Bloks 2001 Product Catalog, including cover, table of contents, and p. 12.
 Excerpt of Mega Bloks 2009 Product Catalog, including front cover, pp. P-54 and P-66, and back cover.
 Excerpt of Mega Brands Inc. 2011 Product Catalog, including cover, 5 pages total.

* cited by examiner

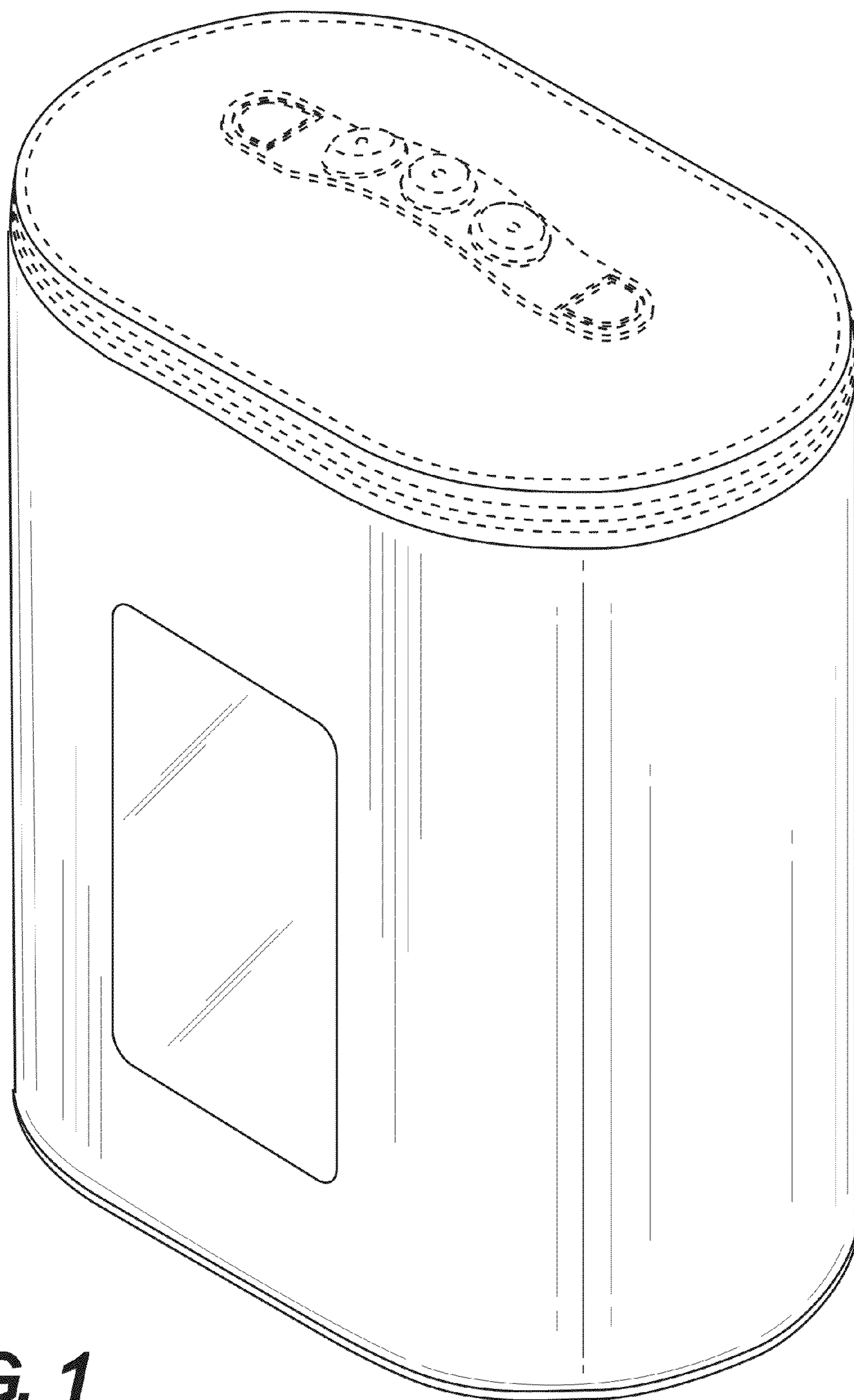


FIG. 1

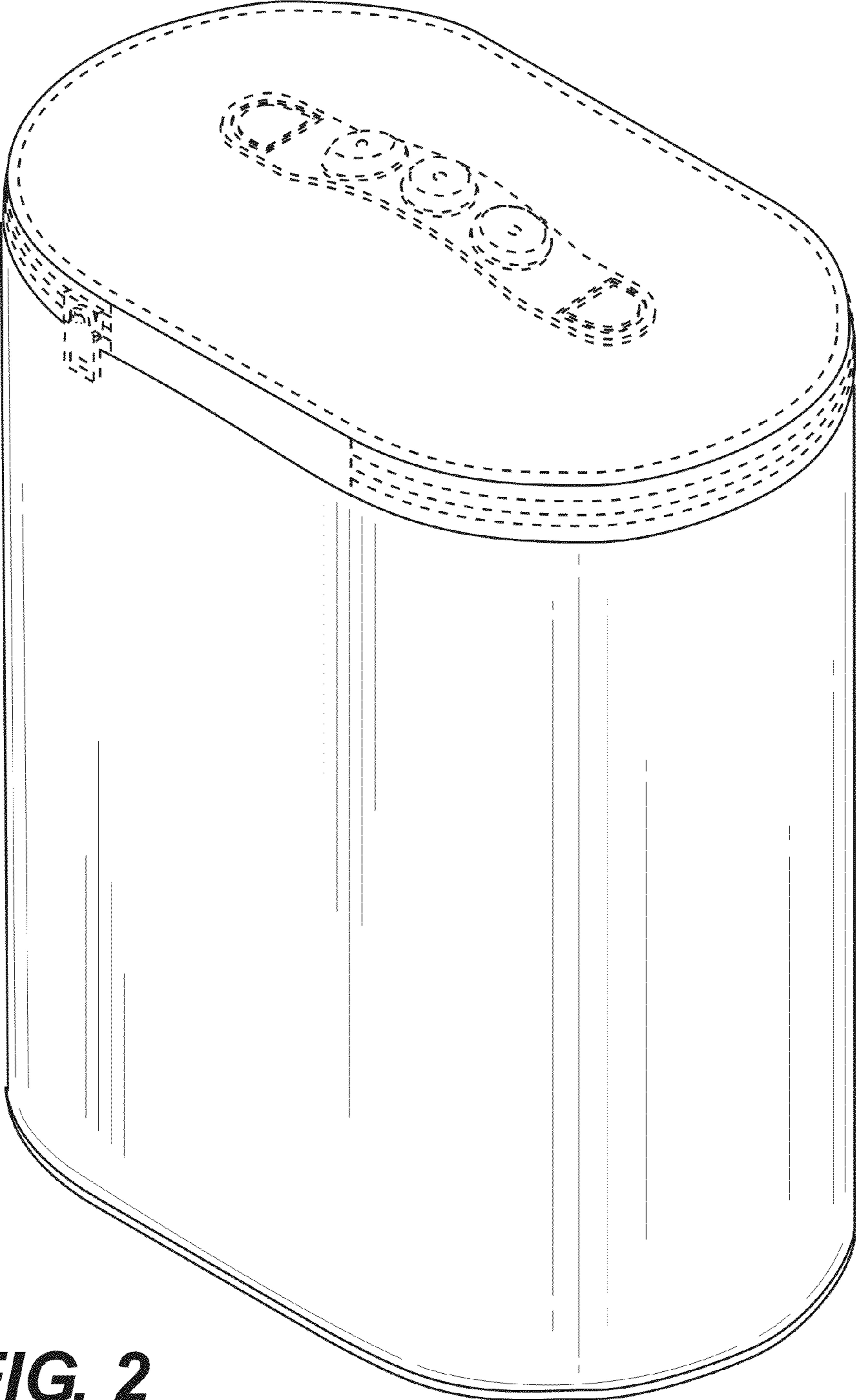


FIG. 2

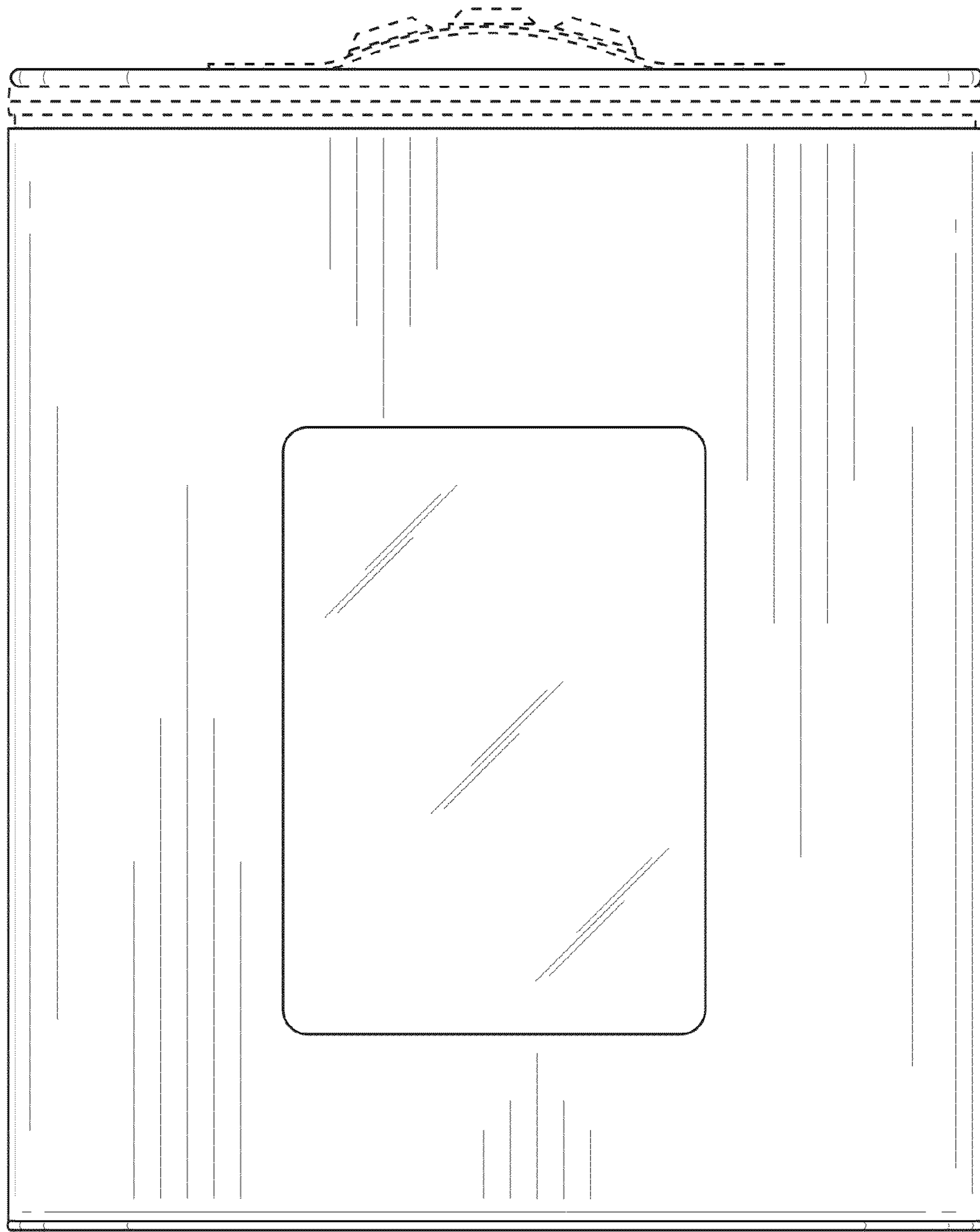


FIG. 3

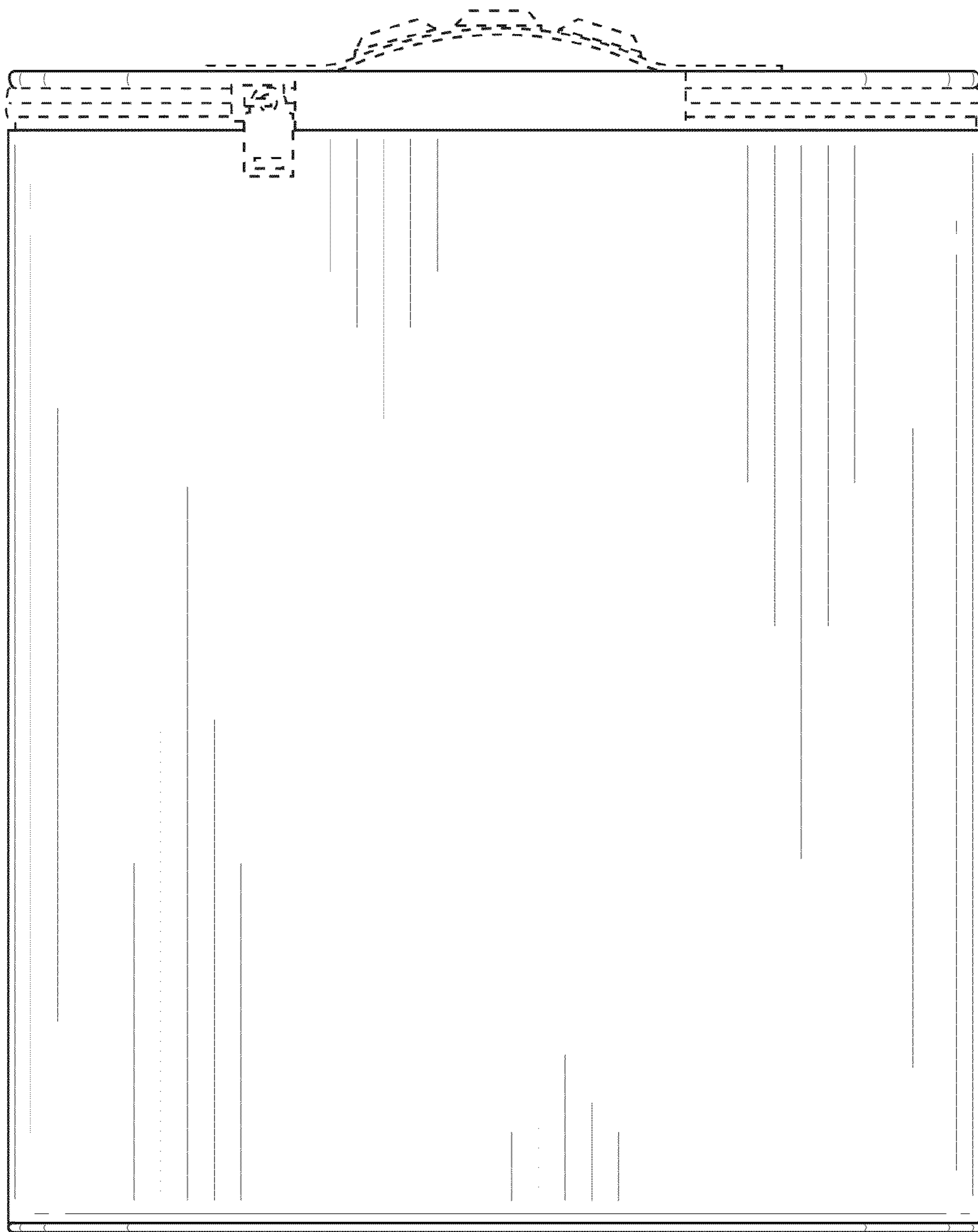


FIG. 4

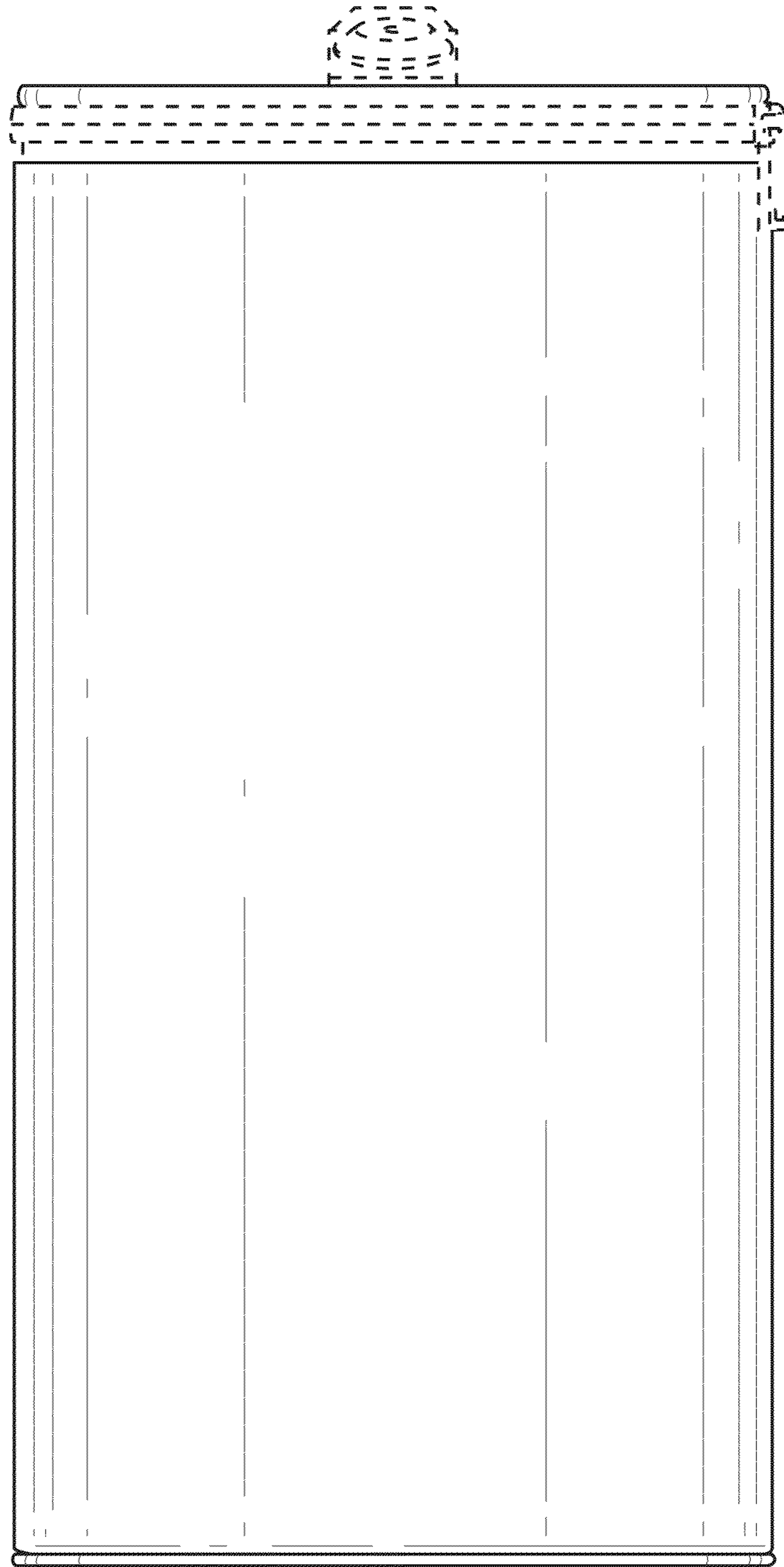


FIG. 5

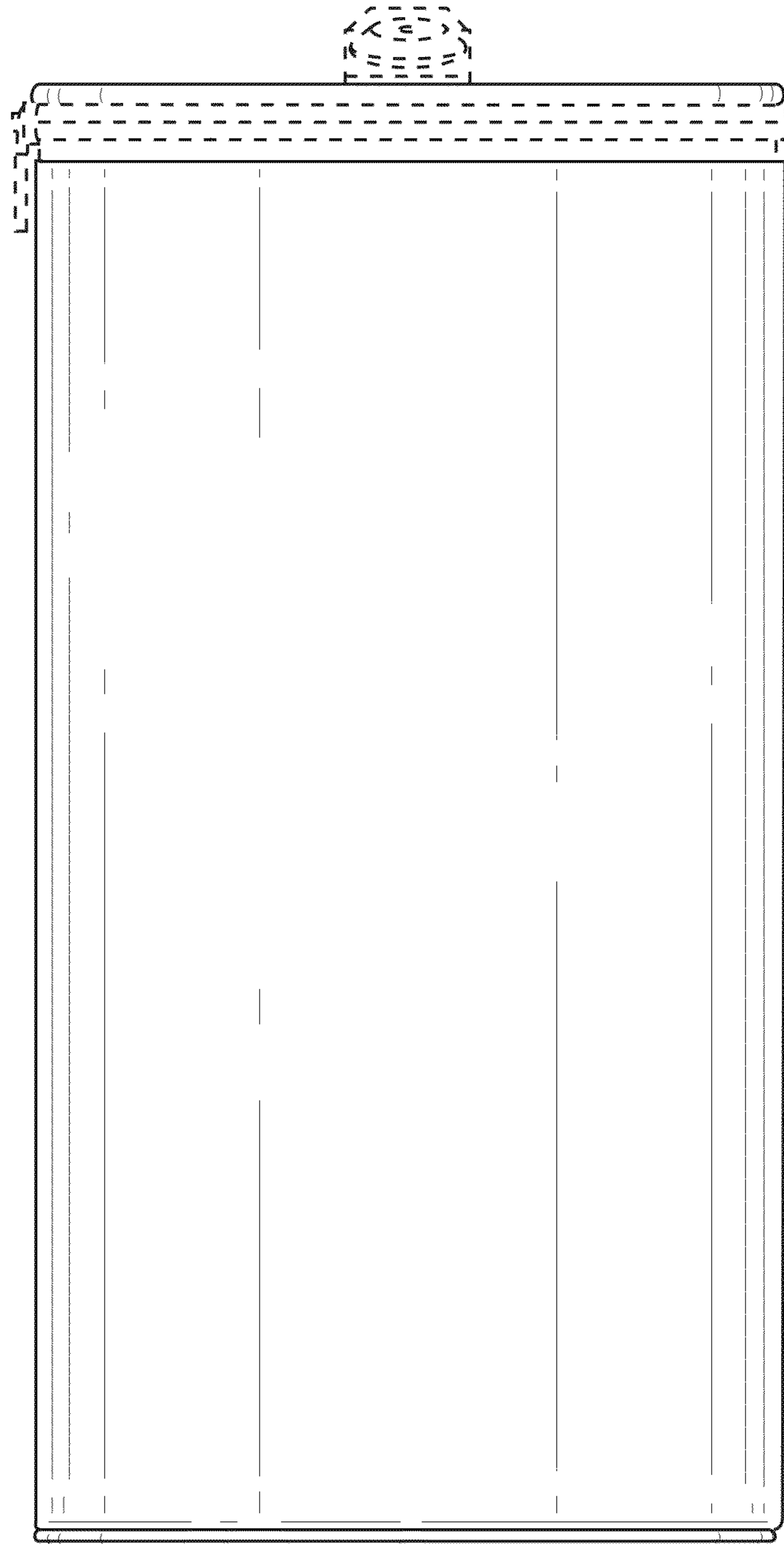


FIG. 6

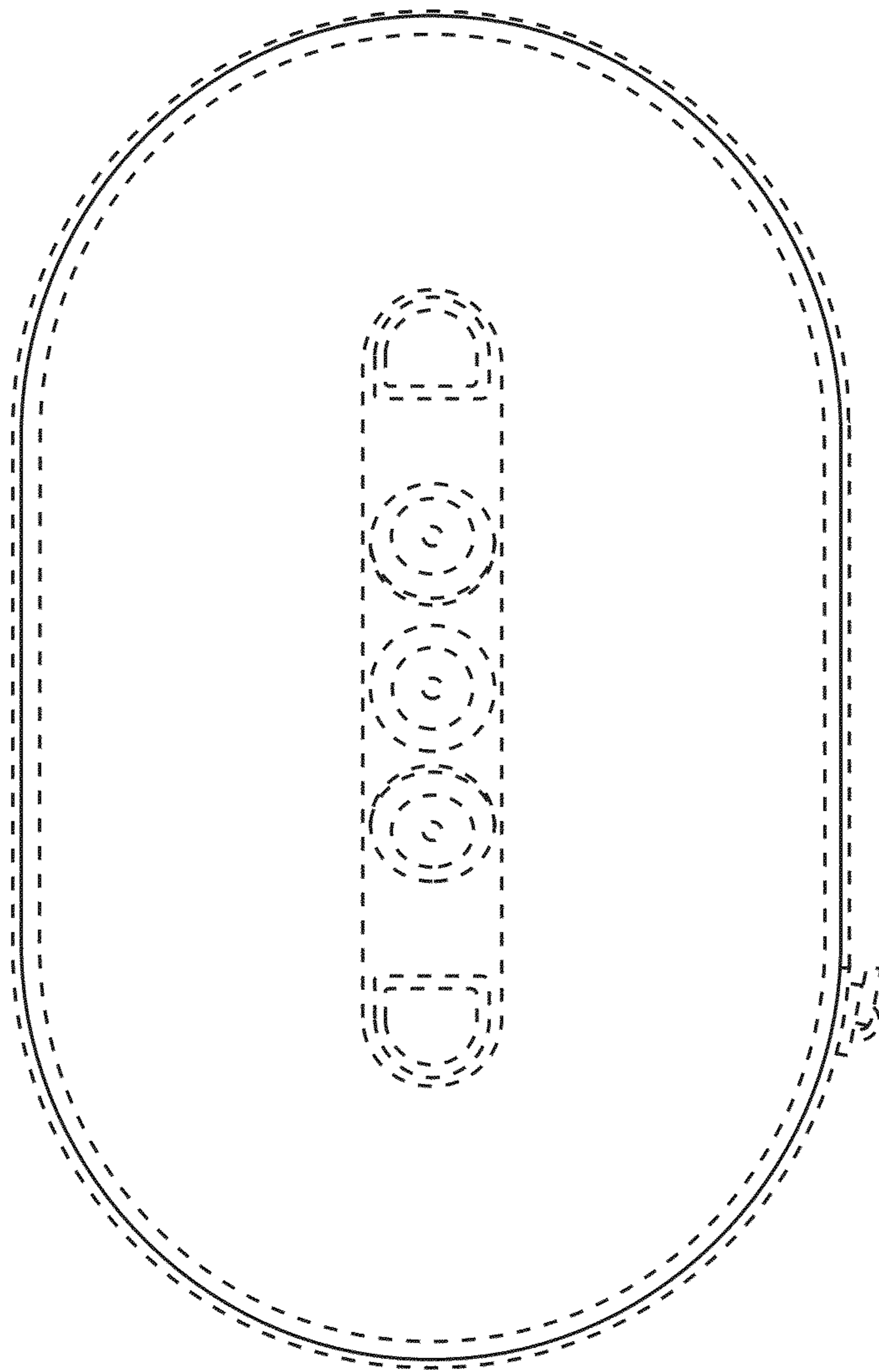


FIG. 7

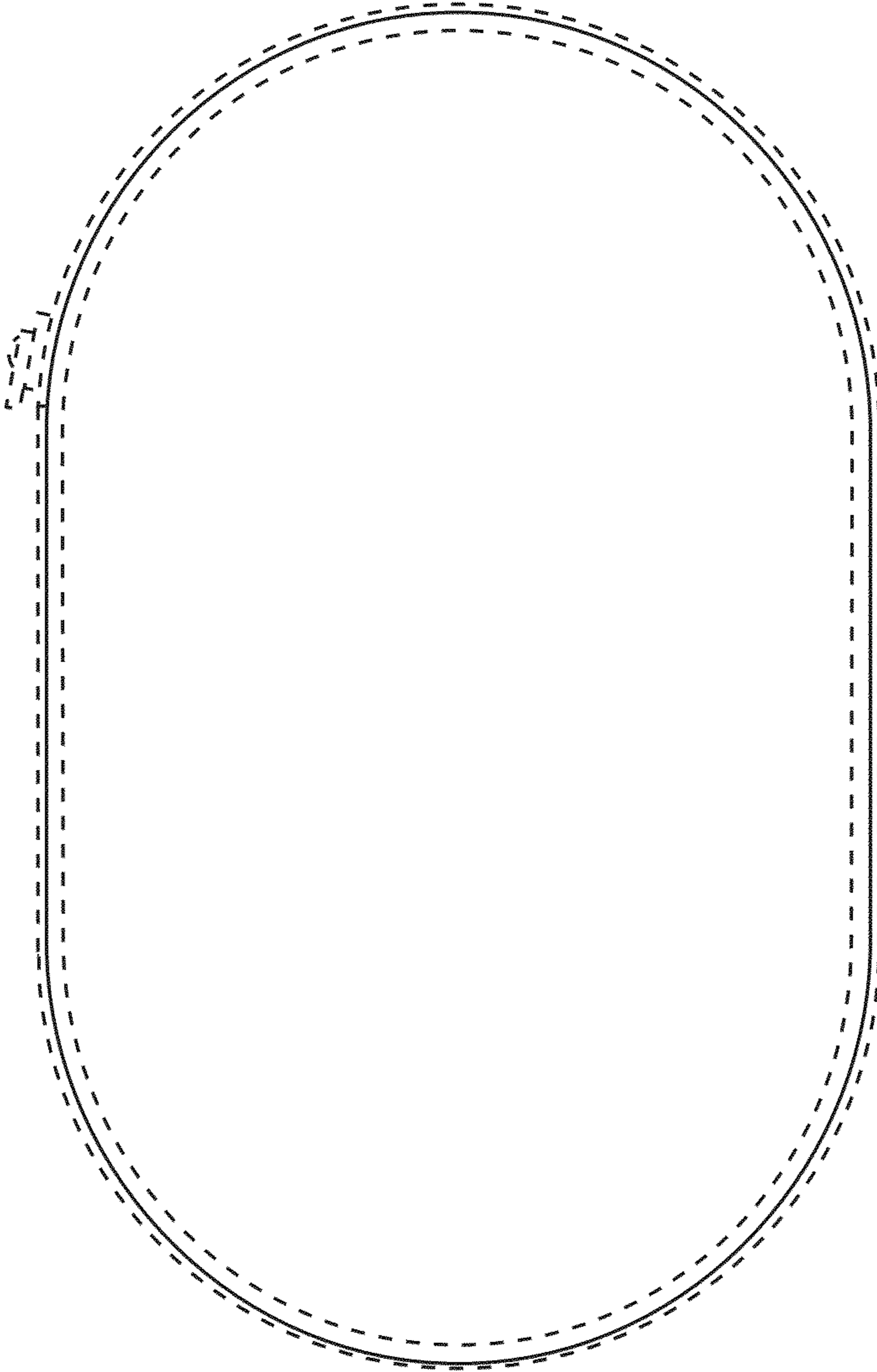


FIG. 8

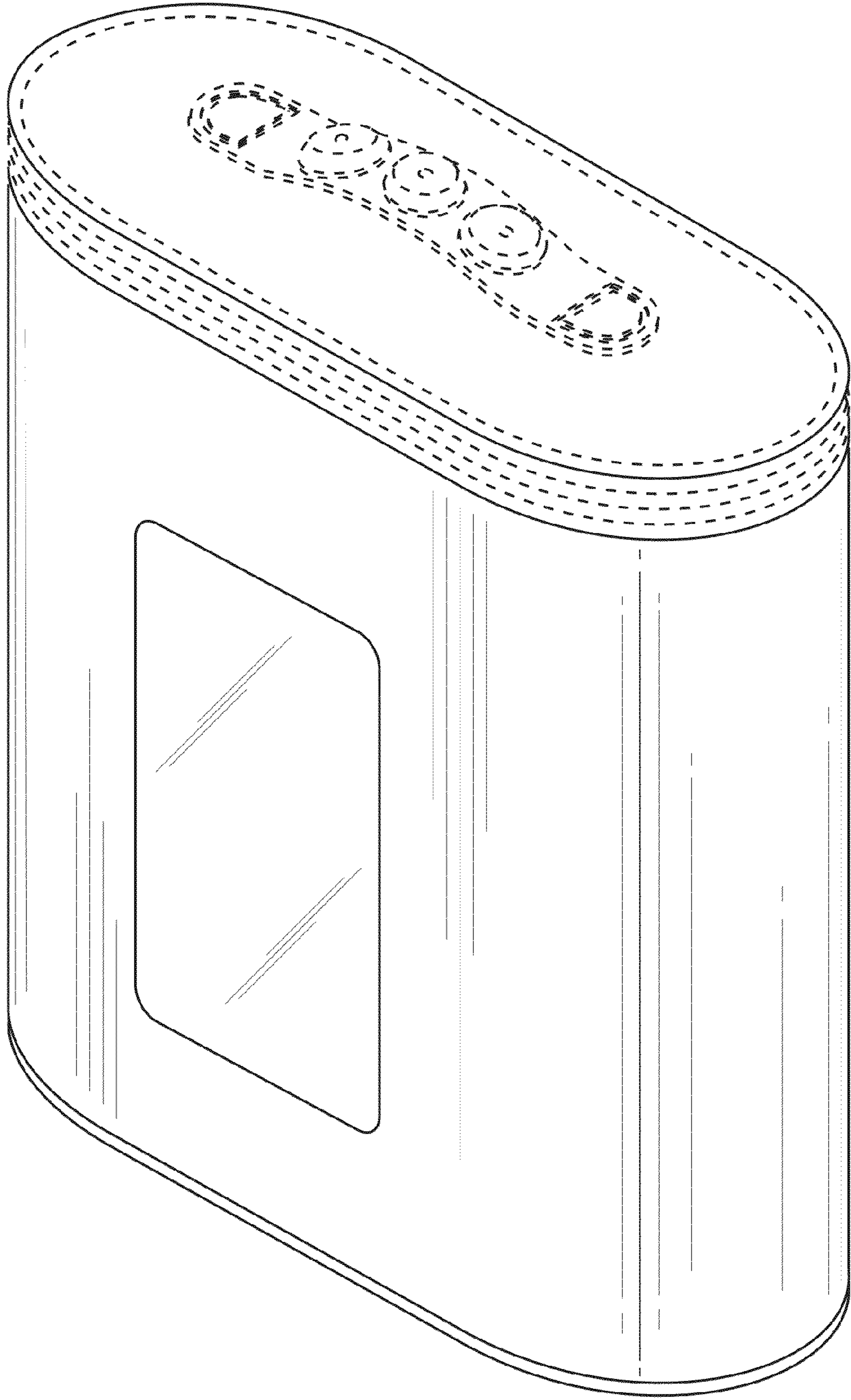


FIG. 9

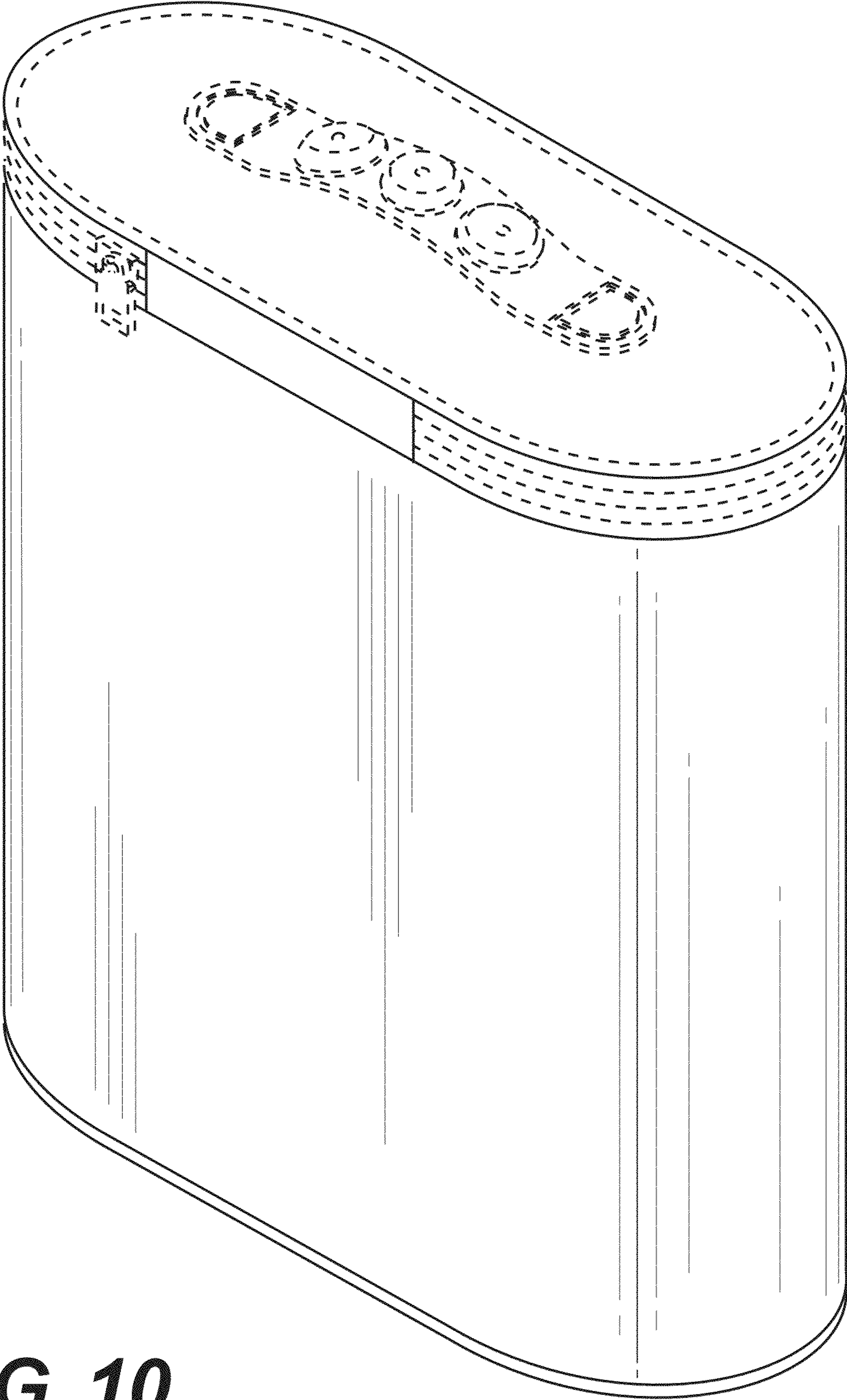


FIG. 10

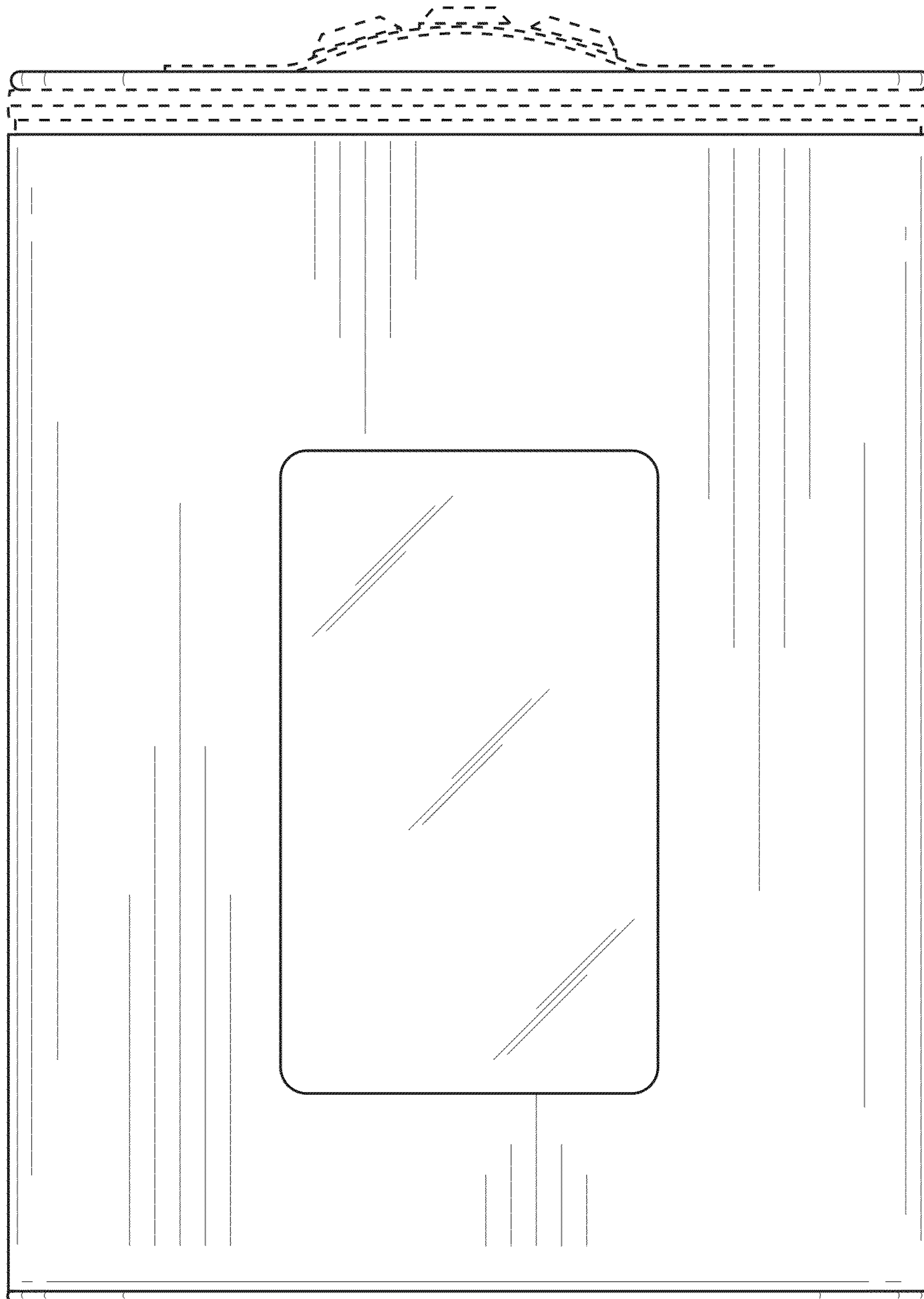


FIG. 11

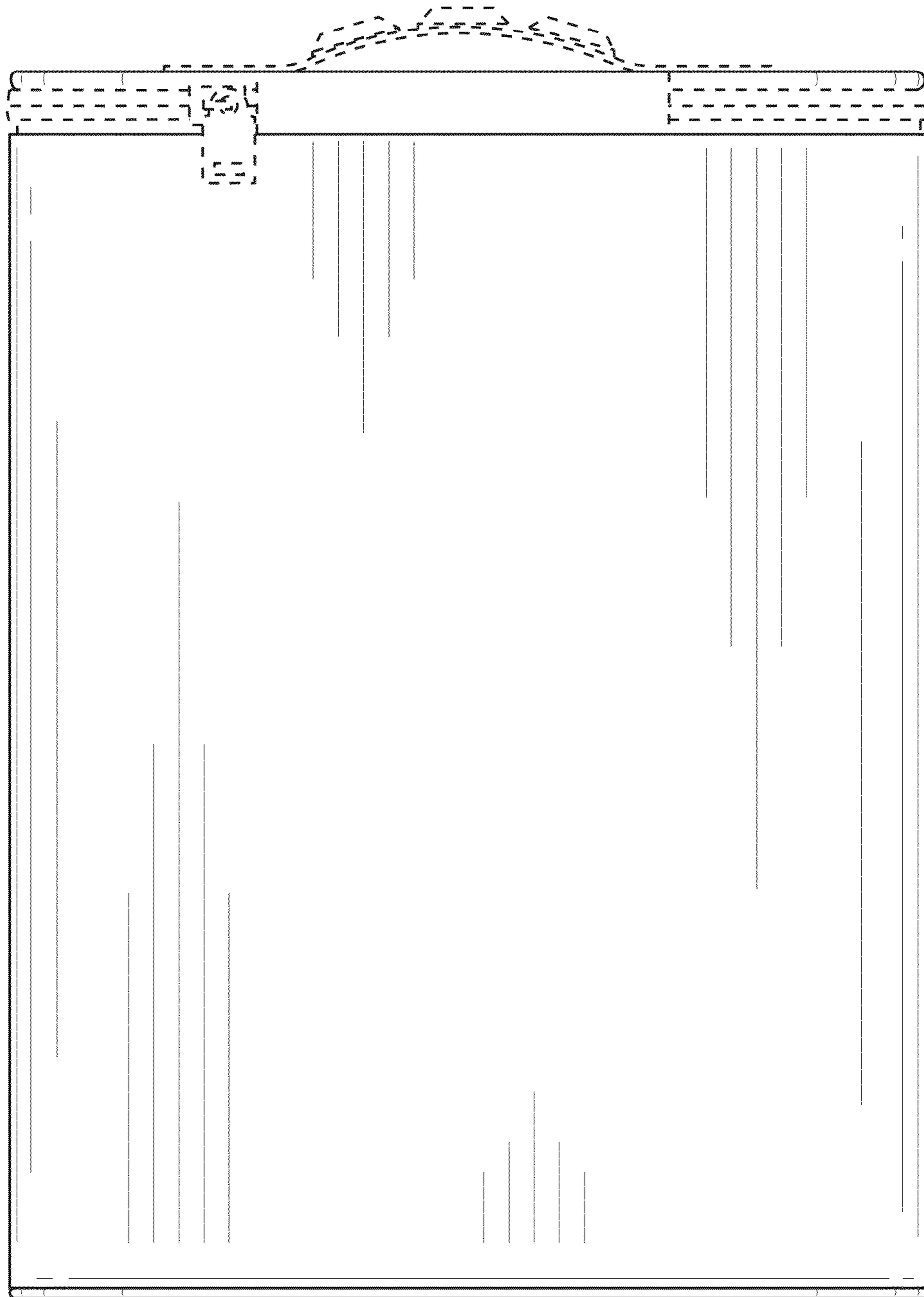


FIG. 12

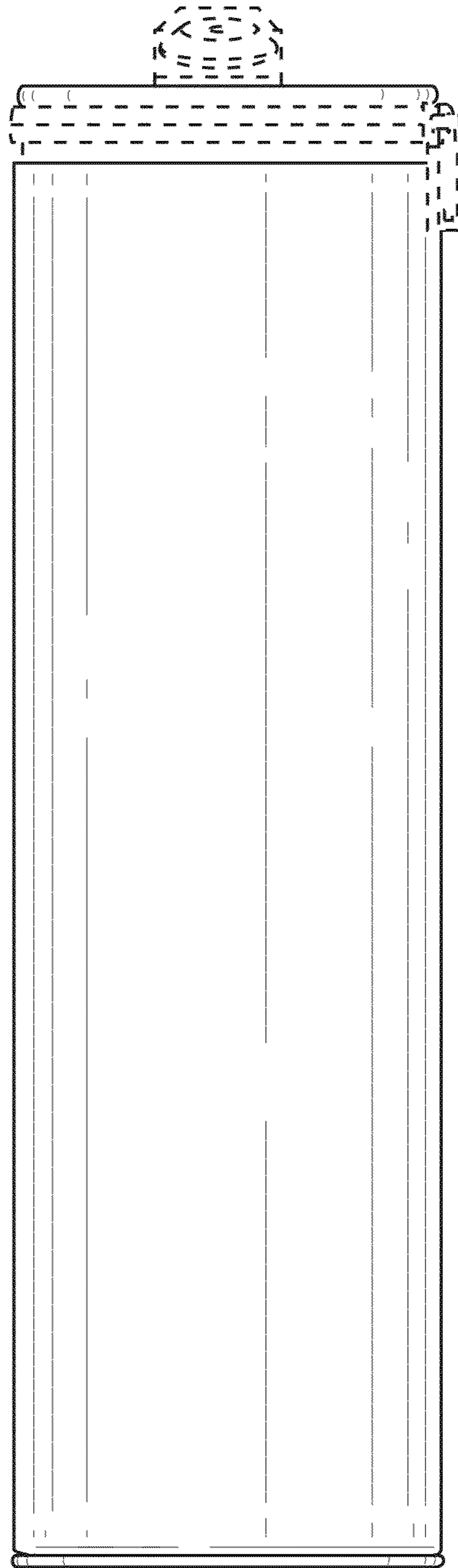


FIG. 13

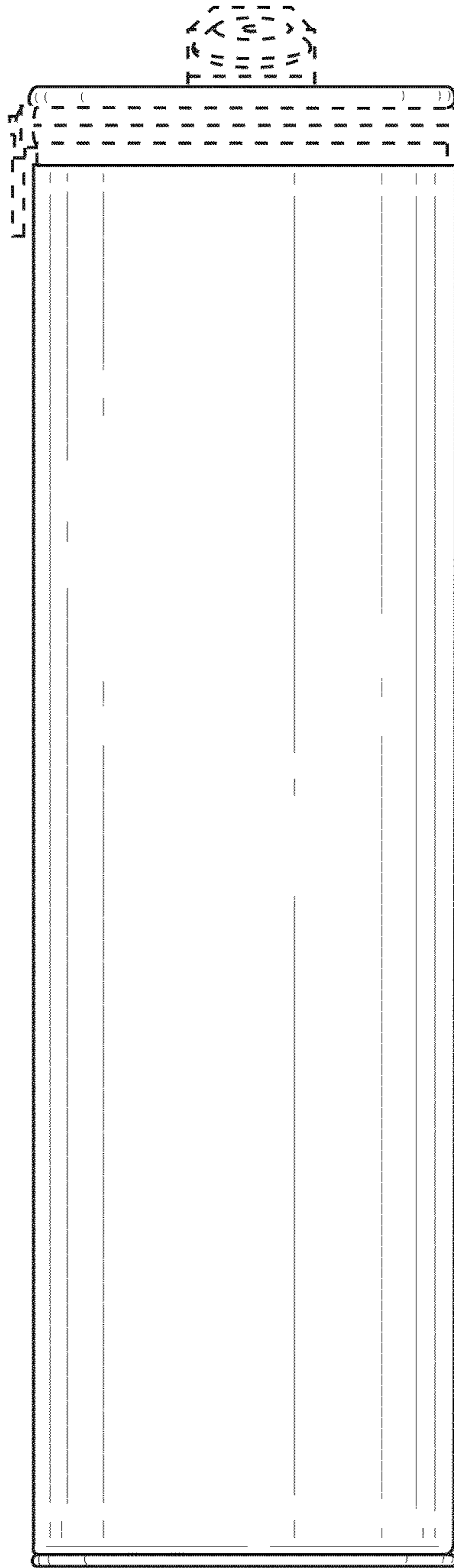


FIG. 14

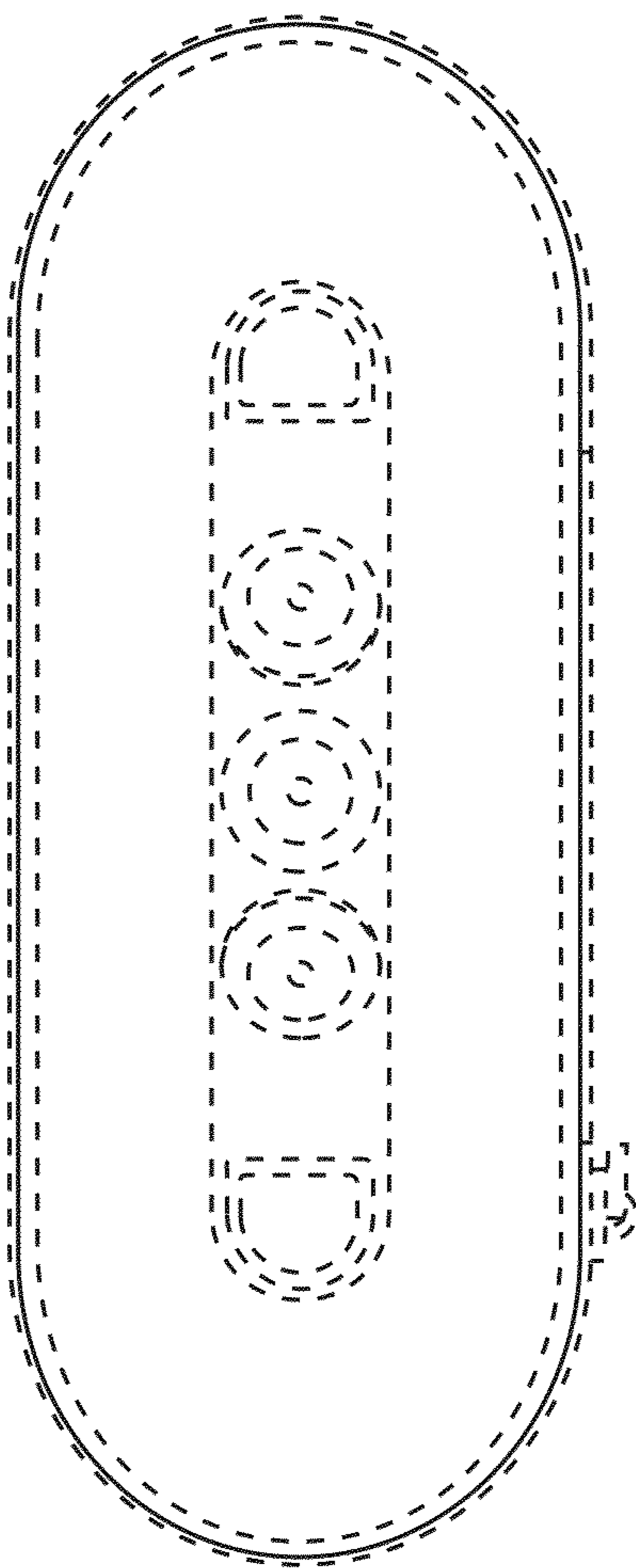


FIG. 15

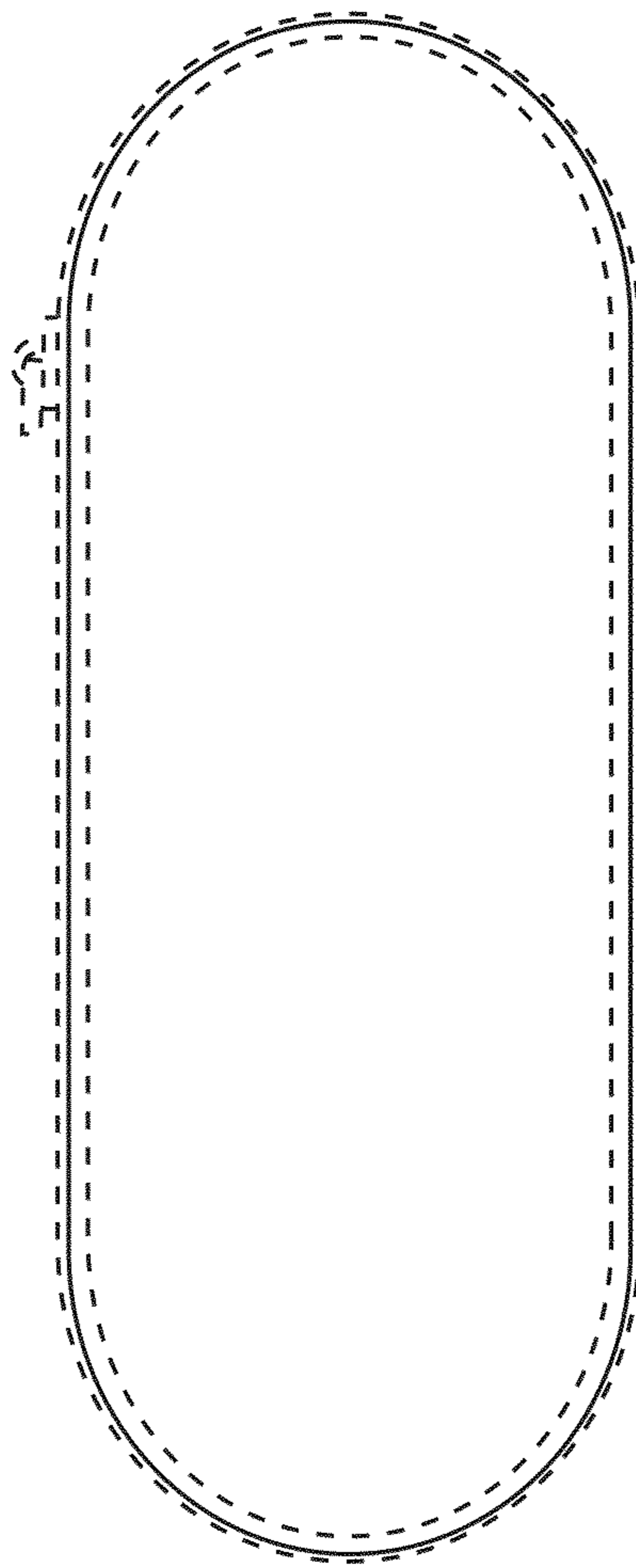


FIG. 16