



US00D684362S

(12) **United States Design Patent**
Robbins et al.

(10) **Patent No.:** **US D684,362 S**
(45) **Date of Patent:** **** Jun. 18, 2013**

(54) **WALLET FOR ELECTRONIC DEVICES**

(76) Inventors: **David G. Robbins**, East Islip, NY (US);
Susan Robbins, East Islip, NY (US)

(**) Term: **14 Years**

(21) Appl. No.: **29/397,948**

(22) Filed: **Jul. 23, 2011**

Related U.S. Application Data

(63) Continuation-in-part of application No. 29/361,472,
filed on May 11, 2010, now Pat. No. Des. 668,045.

(51) **LOC (9) Cl.** **03-01**

(52) **U.S. Cl.**
USPC **D3/269**

(58) **Field of Classification Search**
USPC D3/201, 215, 218, 269, 273, 294,
D3/300, 303, 287, 283, 289, 274; D14/217,
D14/432, 250, 247; 206/320, 576, 214;
455/575.8; 190/109, 110, 111, 900, 902
See application file for complete search history.

(56) **References Cited**

U.S. PATENT DOCUMENTS

D318,413 S *	7/1991	McNulty, Jr.	D8/356
D398,446 S *	9/1998	Hosea	D3/247
6,568,576 B1	5/2003	Godshaw	
D491,046 S *	6/2004	Johnson	D8/356
D506,066 S *	6/2005	Nieves	D3/299
D541,042 S *	4/2007	Andre et al.	D3/218
D559,532 S *	1/2008	Kwak et al.	D3/218
D570,101 S *	6/2008	Harris et al.	D3/218
D593,749 S	6/2009	Holzner et al.	
D606,740 S	12/2009	Fahrendorff et al.	
D607,198 S *	1/2010	Andre et al.	D3/218
D608,092 S	1/2010	Holzner et al.	
D609,462 S	2/2010	Bullen	
D609,463 S	2/2010	Bullen	

D609,464 S	2/2010	Bullen	
D628,375 S *	12/2010	Andre et al.	D3/218
D655,497 S *	3/2012	Stanley	D3/218
2001/0035444 A1	11/2001	Alis	
2002/0100782 A1	8/2002	Marvin	

(Continued)

OTHER PUBLICATIONS

Photo image of a product with accompanying packaging identifying the product as a Cell Phone Wallet. The image was taken at a vendor in a shopping center on Long Island, New York on or about Oct. 16, 2010. Subsequent to the taking of the photo image, the product could not be relocated and no further information is available.

Primary Examiner — Barbara Fox

(74) *Attorney, Agent, or Firm* — Harold G. Furlow, Esq

(57) **CLAIM**

The ornamental design for a wallet for electronic devices, as shown and described.

DESCRIPTION

FIG. 1 is a front, left side and first end perspective view of a wallet for electronic devices showing the new design, shown in a closed position;

FIG. 2 is a front, left side and first end perspective view of the wallet of FIG. 1 shown in an open position;

FIG. 3 is a left side elevation view of the wallet of FIG. 1 in the closed position;

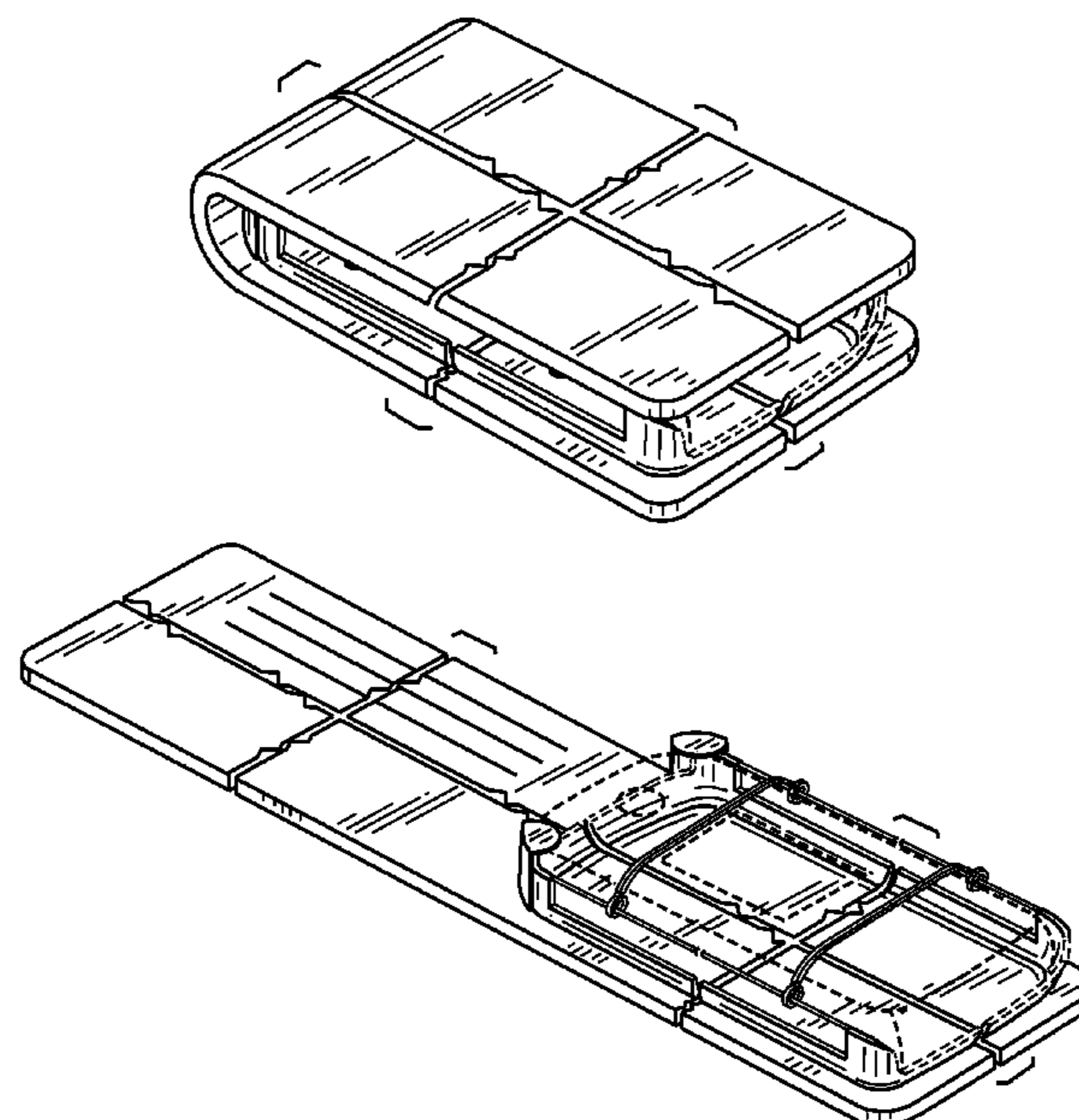
FIG. 4 is a first end view thereof; and,

FIG. 5 is a second end view thereof.

The broken lines shown in the drawings represent portions of the wallet for electronic devices which form no part of the claimed design.

The wallet for electronic devices is shown broken away for ease of illustration, the precise length and width of the wallet for electronic devices is not claimed.

1 Claim, 3 Drawing Sheets



US D684,362 S

Page 2

U.S. PATENT DOCUMENTS

2003/0000984 A1 1/2003 Vick, III
2004/0079776 A1 4/2004 Bauer
2006/0052064 A1 3/2006 Goradesky

2007/0101479 A1 5/2007 Turner
2007/0235492 A1 10/2007 Sirichai et al.
2009/0305001 A1 12/2009 Hsu et al.

* cited by examiner

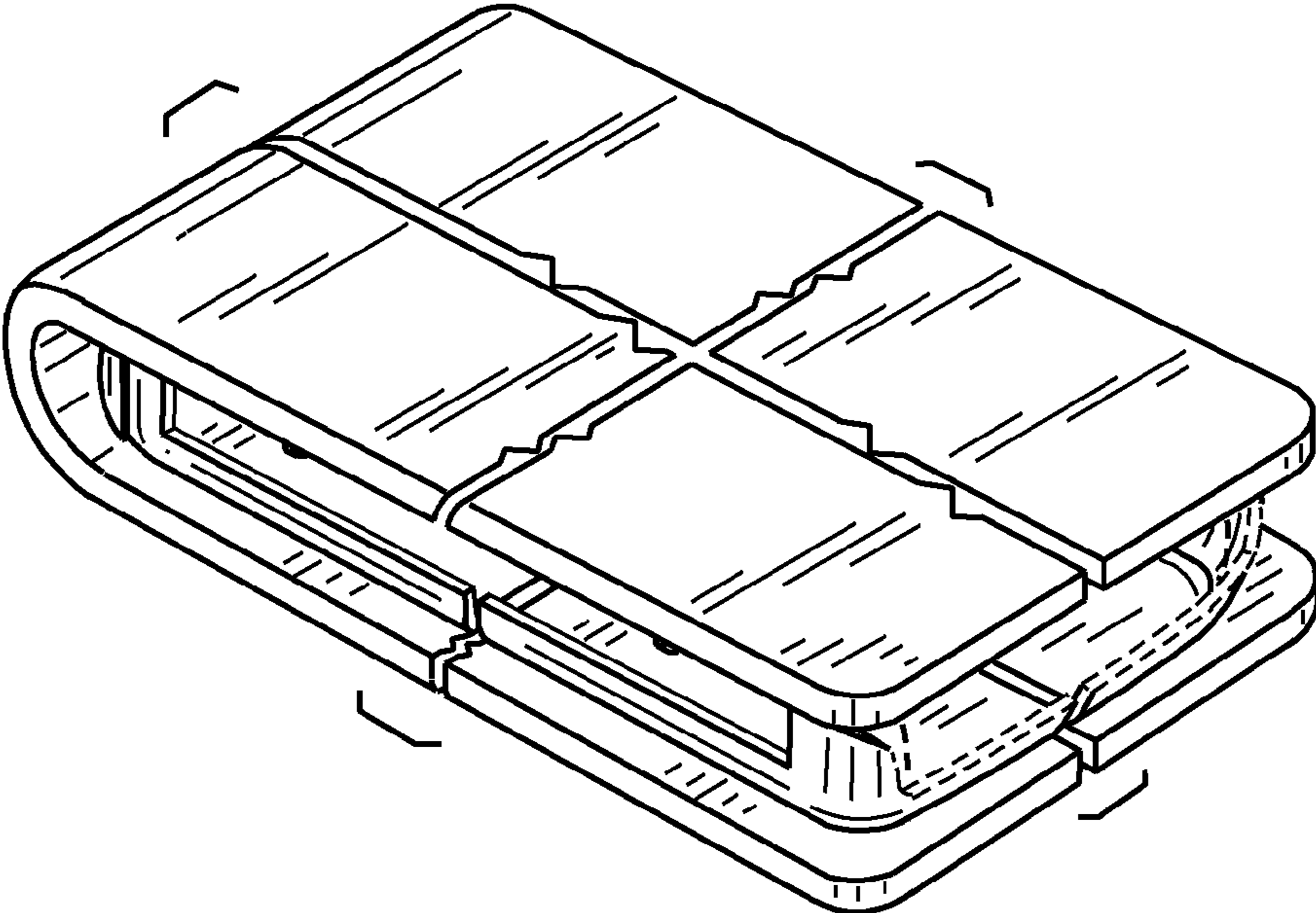


FIG. 1

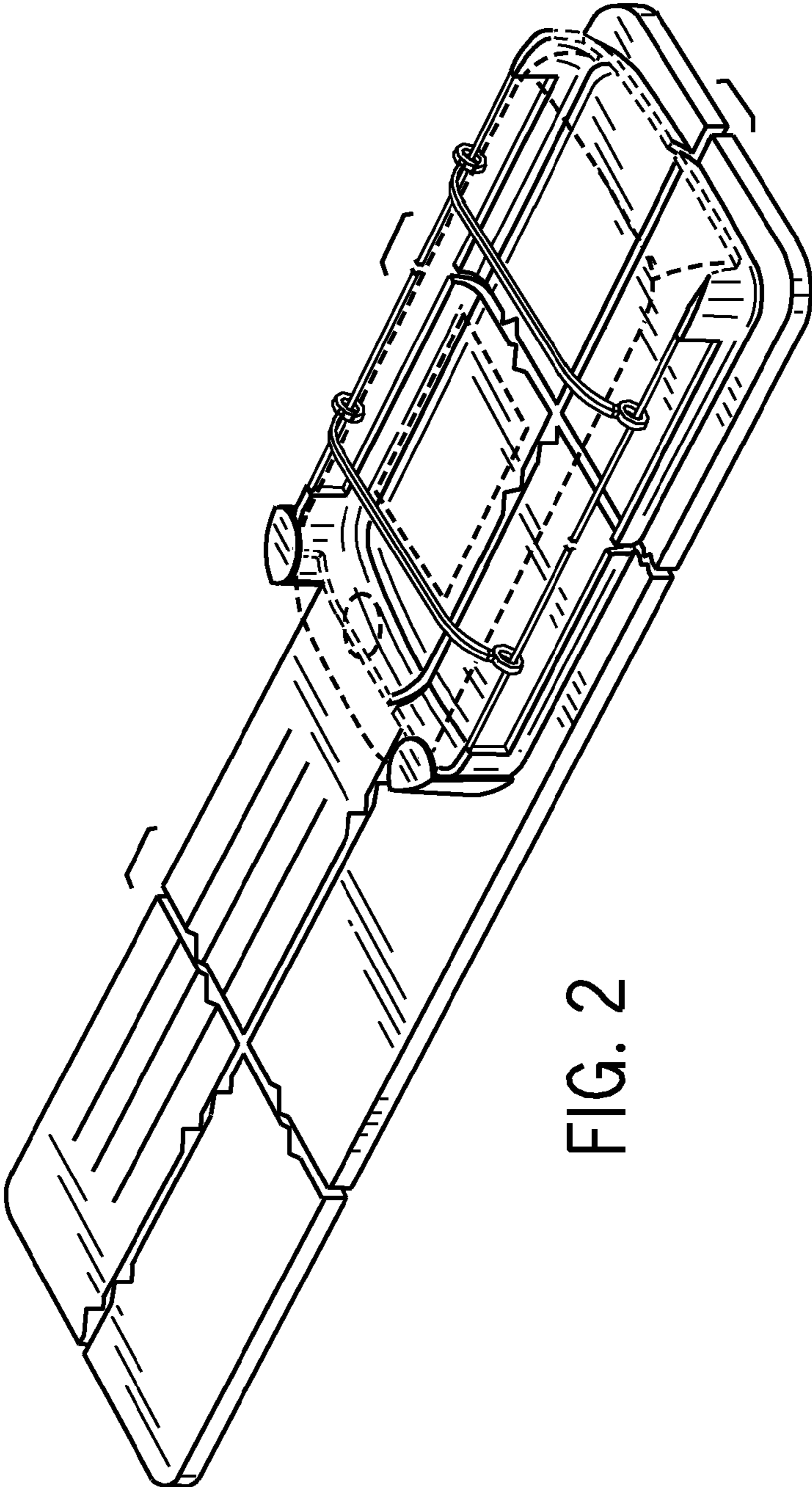


FIG. 2

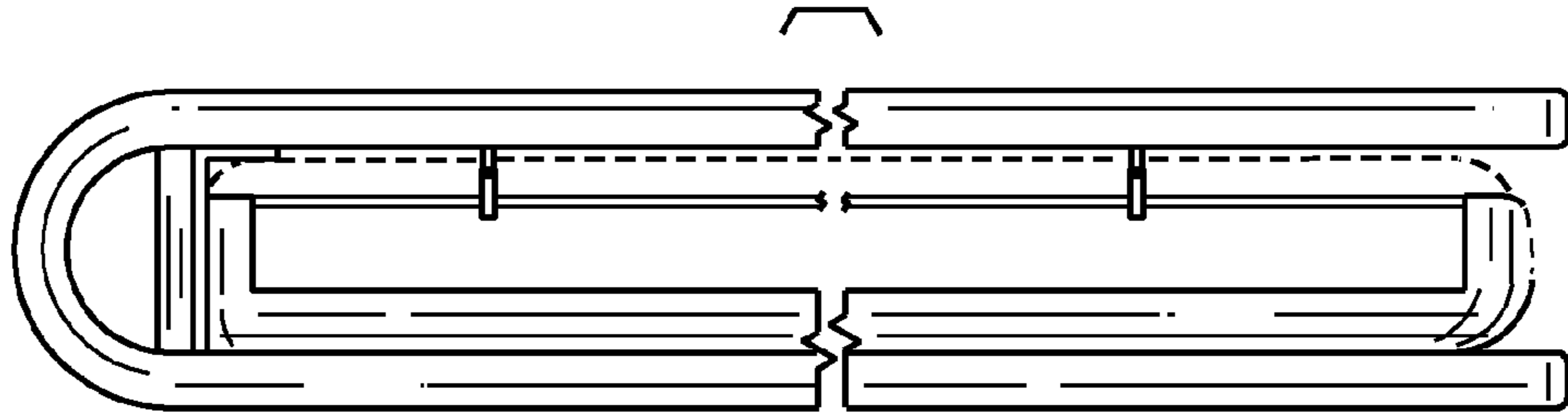


FIG. 3

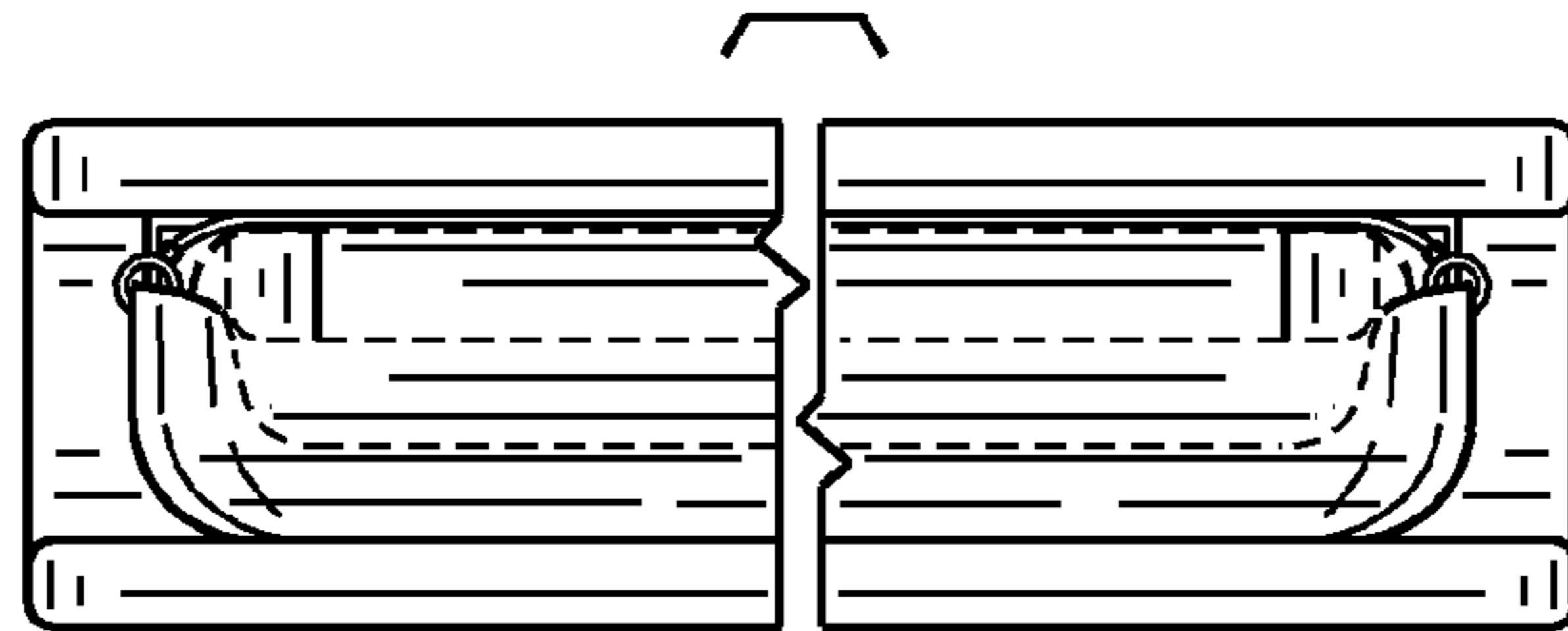


FIG. 4

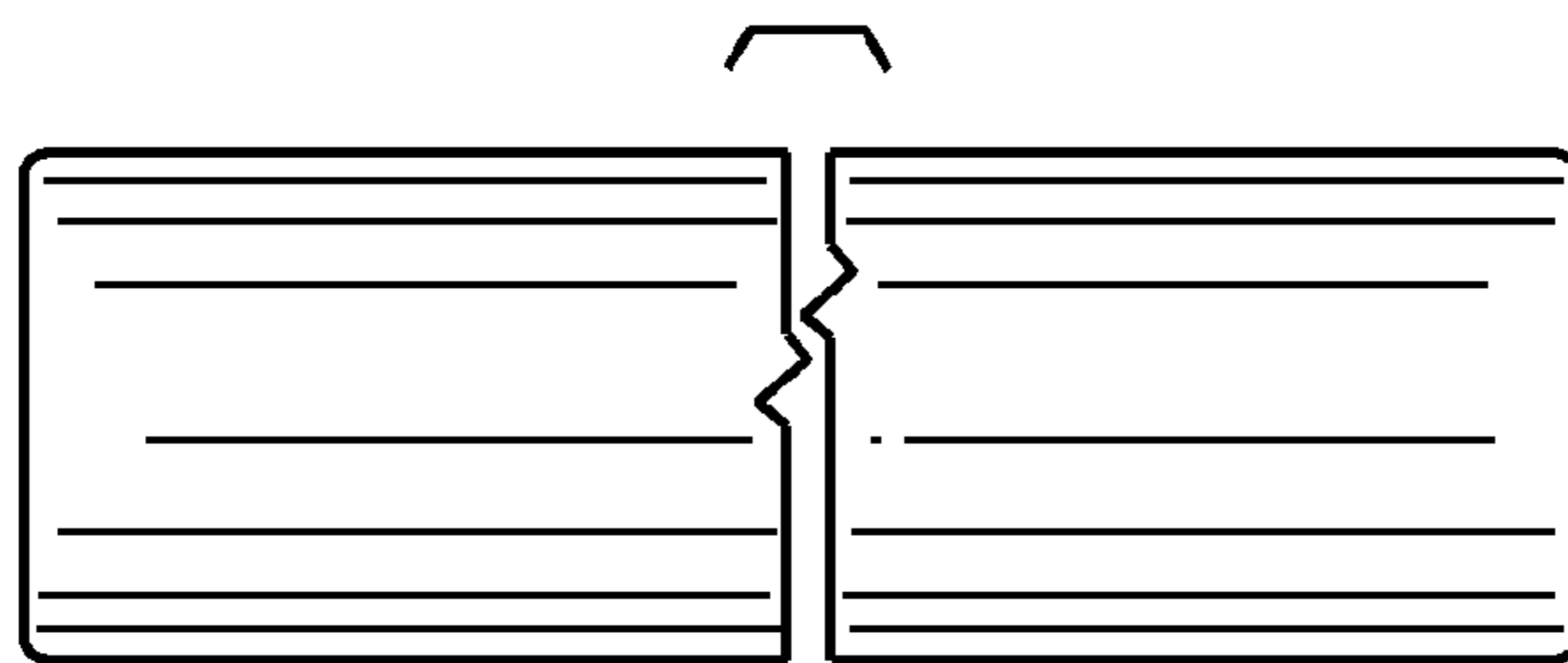


FIG. 5