



US00D684358S

(12) **United States Design Patent**  
**Pegg**

(10) **Patent No.:** **US D684,358 S**

(45) **Date of Patent:** **\*\* Jun. 18, 2013**

(54) **DEVICE CASE WITH HANGING MEMBER**

(75) Inventor: **Albert Murray Pegg**, Cambridge (CA)

(73) Assignee: **Research In Motion Limited**, Waterloo,  
Ontario (CA)

(\*\*) Term: **14 Years**

(21) Appl. No.: **29/416,484**

(22) Filed: **Mar. 22, 2012**

(51) **LOC (9) Cl.** ..... **03-01**

(52) **U.S. Cl.**  
USPC ..... **D3/218**

(58) **Field of Classification Search**  
USPC ..... D3/218, 201, 215, 226, 269, 272–273,  
D3/303; 206/305, 320; 455/575.1–575.8;  
D14/250–253, 138, 440; 379/455, 446–447,  
379/454, 420.04, 426, 433.11; 224/191,  
240–241, 245, 682–683

See application file for complete search history.

(56) **References Cited**

U.S. PATENT DOCUMENTS

D582,149 S *	12/2008	Tan	.....	D3/218
D619,356 S *	7/2010	Hillman	.....	D3/218
D622,716 S *	8/2010	Andre et al.	.....	D14/250
D631,246 S *	1/2011	Boettner	.....	D3/218
D631,650 S *	2/2011	Li	.....	D3/218

\* cited by examiner

*Primary Examiner* — Catheri Oliver-Garcia

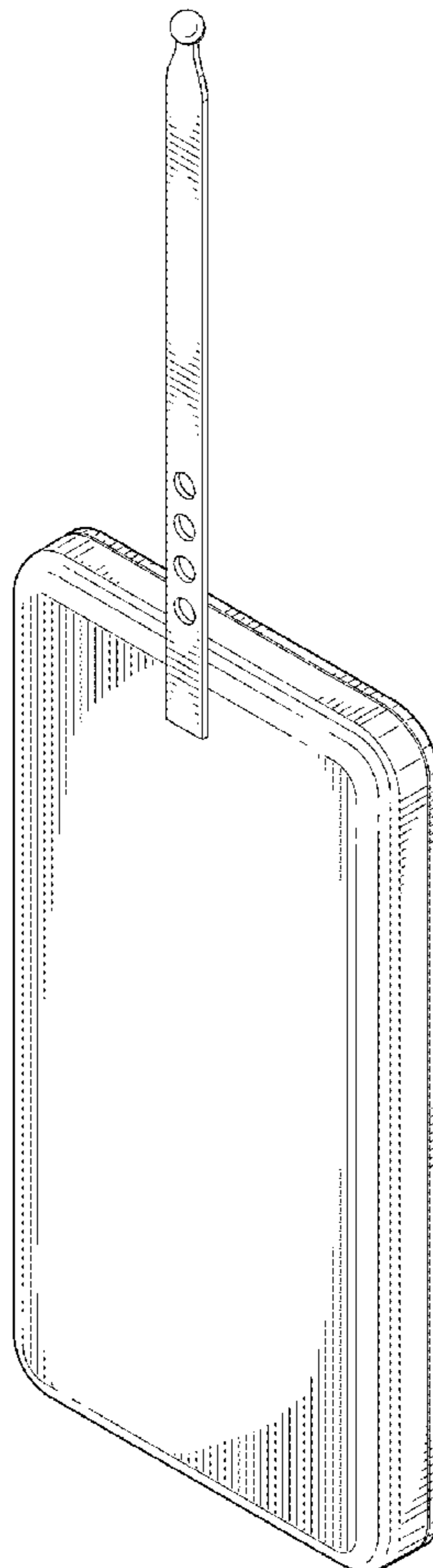
(57) **CLAIM**

I claim the ornamental design for a device case with hanging member, as shown and described.

**DESCRIPTION**

FIG. 1 is a rear perspective view of a device case with hanging member;  
FIG. 2 is a rear elevational view of the device case with hanging member;  
FIG. 3 is a front elevational view thereof;  
FIG. 4 is a right elevational view thereof;  
FIG. 5 is a left elevational view thereof;  
FIG. 6 is a top plan view thereof; and,  
FIG. 7 is a bottom plan view thereof.

**1 Claim, 5 Drawing Sheets**



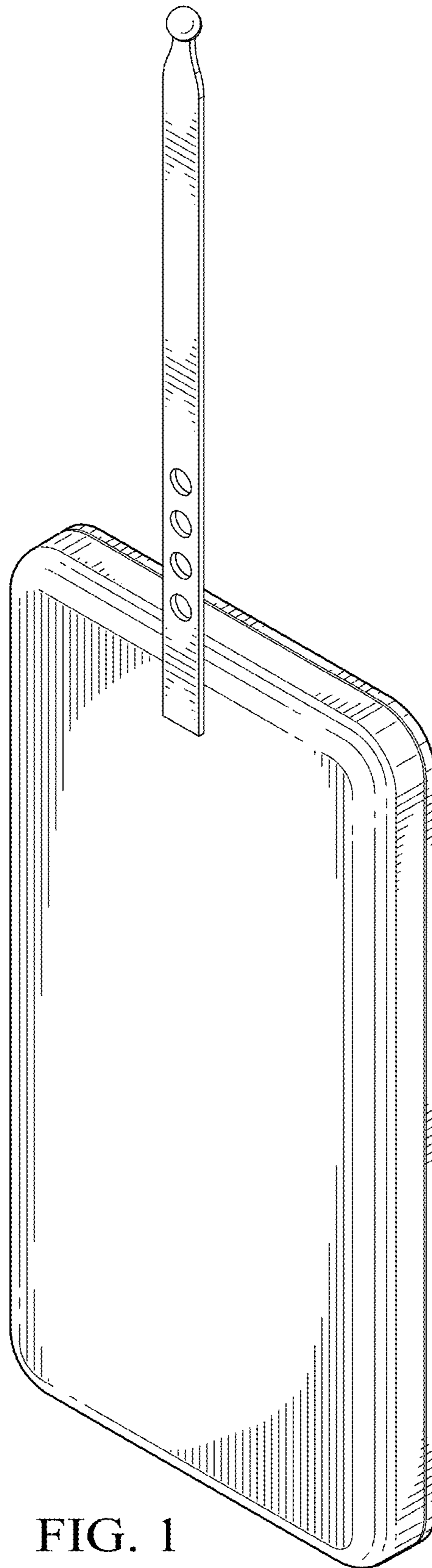


FIG. 1

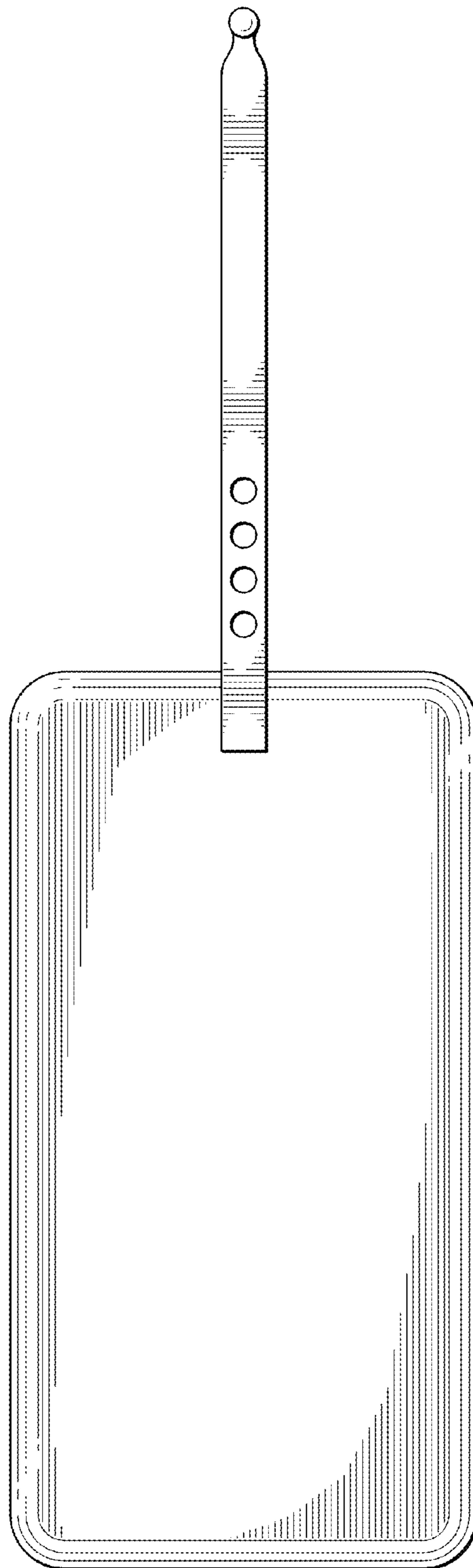


FIG. 2

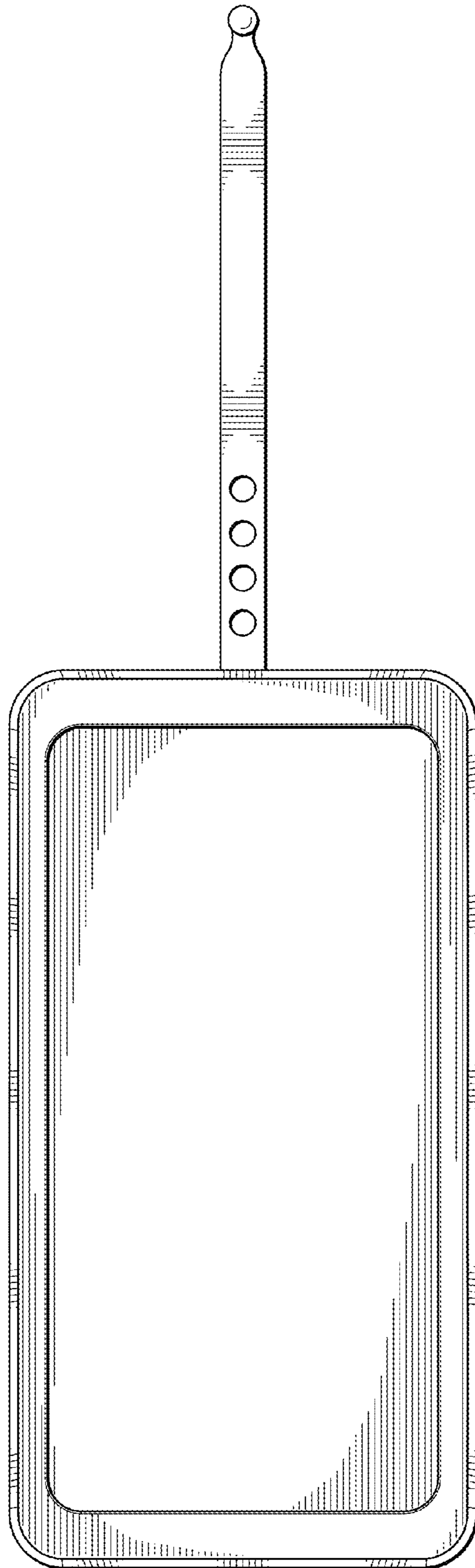


FIG. 3

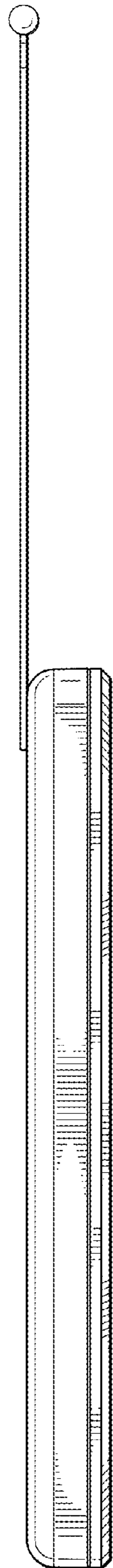


FIG. 4

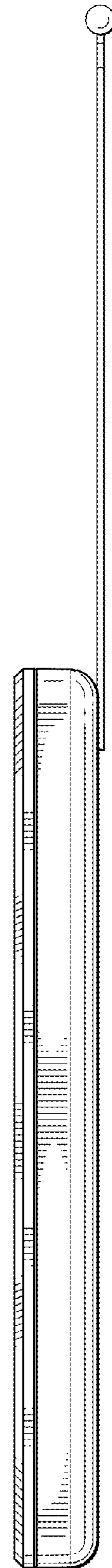


FIG. 5

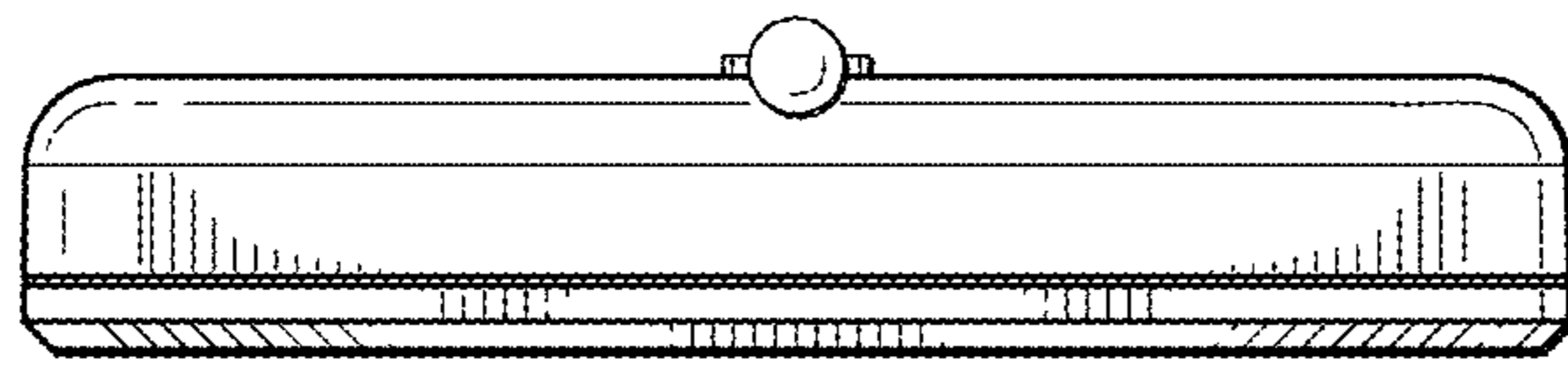


FIG. 6

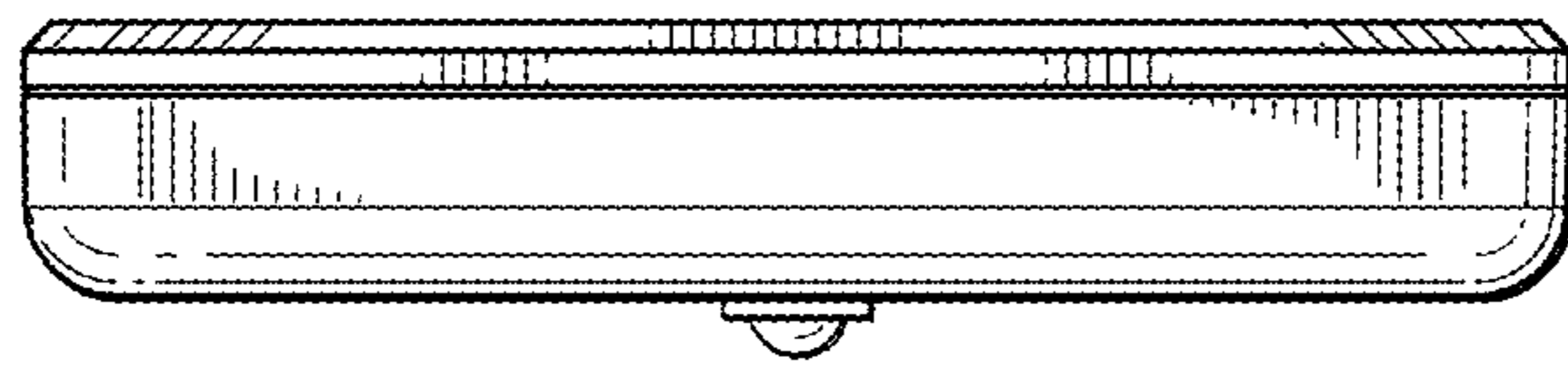


FIG. 7