



US00D684355S

(12) **United States Design Patent**
Priebe

(10) **Patent No.:** **US D684,355 S**
(45) **Date of Patent:** **** Jun. 18, 2013**

(54) **PILL BOX**

- (75) Inventor: **Robert N. Priebe**, Bloomington, MN (US)
- (73) Assignee: **Apothecary Products, Inc.**, Burnsville, MN (US)
- (**) Term: **14 Years**
- (21) Appl. No.: **29/420,707**
- (22) Filed: **May 11, 2012**
- (51) **LOC (9) Cl.** **03-01**
- (52) **U.S. Cl.**
USPC **D3/203.3**
- (58) **Field of Classification Search**
USPC D3/203.1–203.3, 264; 206/532–540; D10/40
See application file for complete search history.

(56) **References Cited**

U.S. PATENT DOCUMENTS

D227,552	S	*	7/1973	Bridges	D3/203.3
D298,803	S	*	12/1988	Ebling	D3/203.3
D304,905	S	*	12/1989	Zimmerman	D3/203.3
5,163,559	A		11/1992	Bunin		
D337,725	S	*	7/1993	Bunin	D3/203.3
D401,762	S	*	12/1998	Abrams et al.	D3/264
6,000,546	A		12/1999	Noble		
D457,819	S		5/2002	Noble et al.		
D528,288	S	*	9/2006	Coe et al.	D3/203.3
7,798,330	B2		9/2010	Noble et al.		
8,006,845	B2		8/2011	Noble et al.		

OTHER PUBLICATIONS

Photos of prior art pill boxes, in public use before May 11, 2012.

* cited by examiner

Primary Examiner — Catheri Oliver-Garcia
(74) *Attorney, Agent, or Firm* — Merchant & Gould P.C.

(57) **CLAIM**
The ornamental design for pill box, as shown and described.

DESCRIPTION

FIG. 1 is a perspective view of a first embodiment of a pill box constructed according to our design;
 FIG. 2 is a front view thereof;
 FIG. 3 is a rear view thereof;
 FIG. 4 is a left view thereof, the right view being a mirror-image thereof;
 FIG. 5 is a top view thereof;
 FIG. 6 is a bottom view thereof;
 FIG. 7 is a perspective view of a second embodiment of a pill box according to our new design, the broken lines forming no part of the claimed design;
 FIG. 8 is a front view thereof;
 FIG. 9 is a rear view thereof;
 FIG. 10 is a right view thereof, the left view being a mirror image thereof;
 FIG. 11 is a top view thereof;
 FIG. 12 is a bottom view thereof;
 FIG. 13 is a perspective view of the pill box of FIG. 7 shown with all lids open, constructed according to our design;
 FIG. 14 is a front view thereof;
 FIG. 15 is a rear view thereof;
 FIG. 16 is a left view thereof, the right view being a mirror-image thereof;
 FIG. 17 is a top view thereof; and,
 FIG. 18 is a bottom view thereof, the broken lines forming no part of the claimed design.

1 Claim, 13 Drawing Sheets



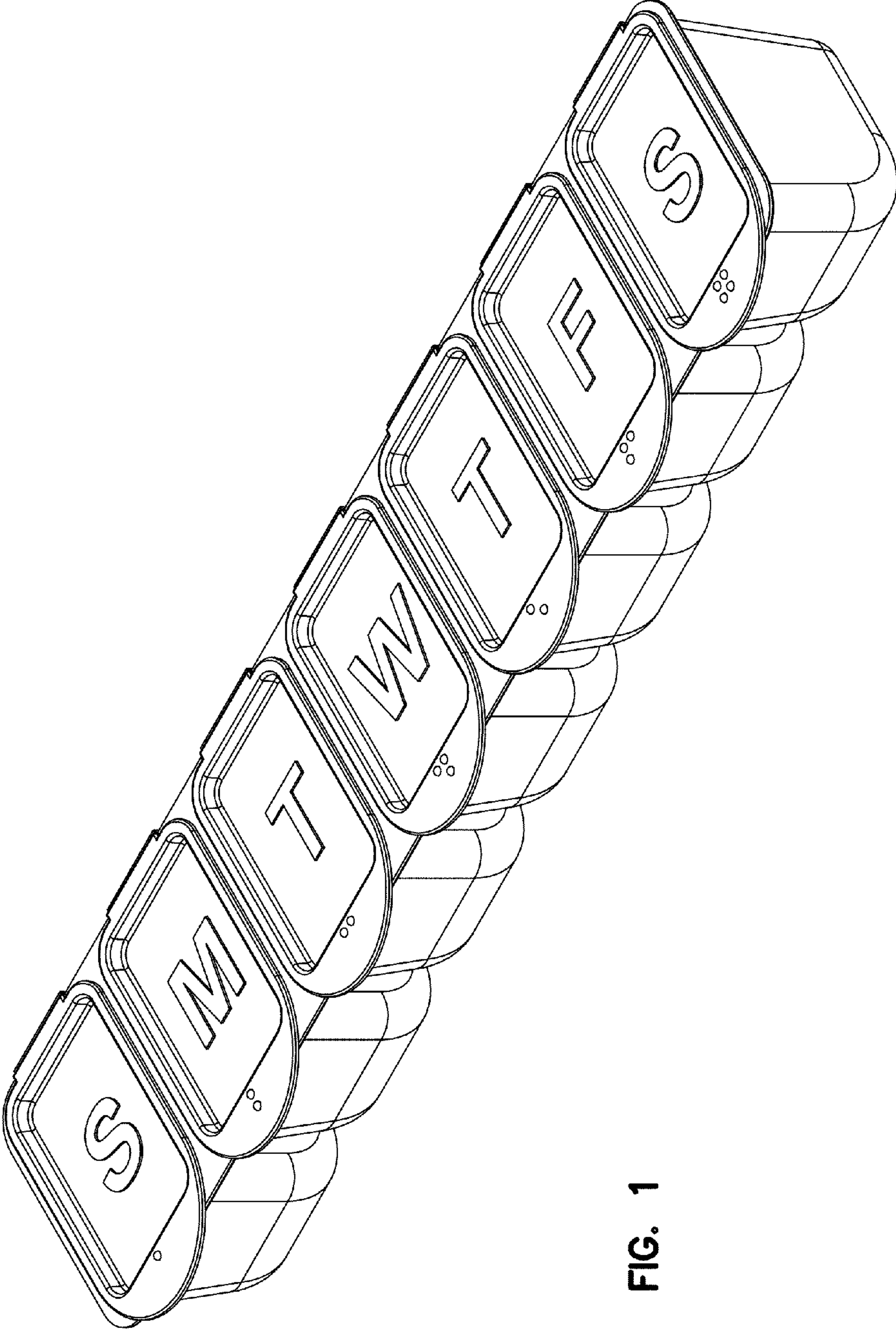


FIG. 1

FIG. 2

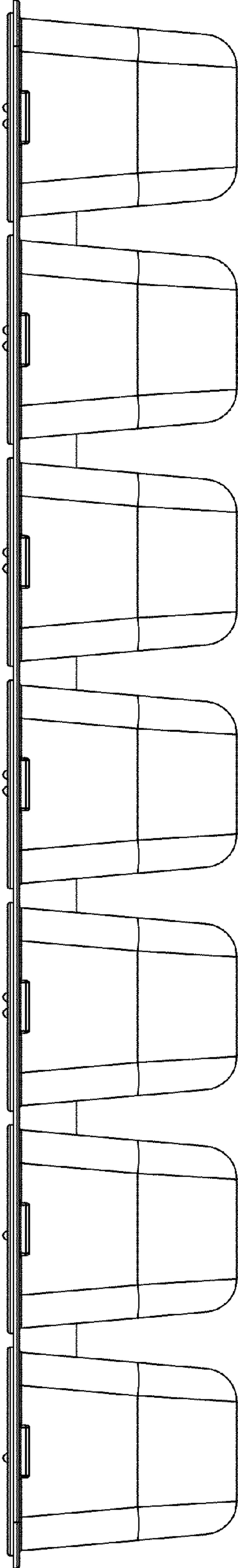


FIG. 3

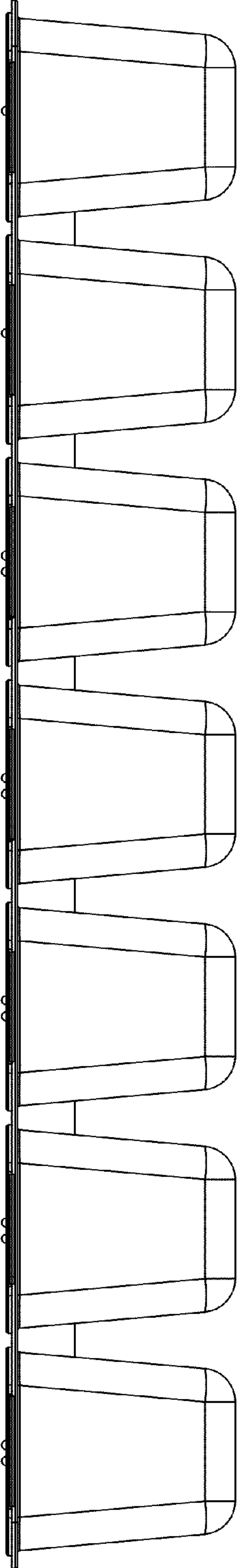
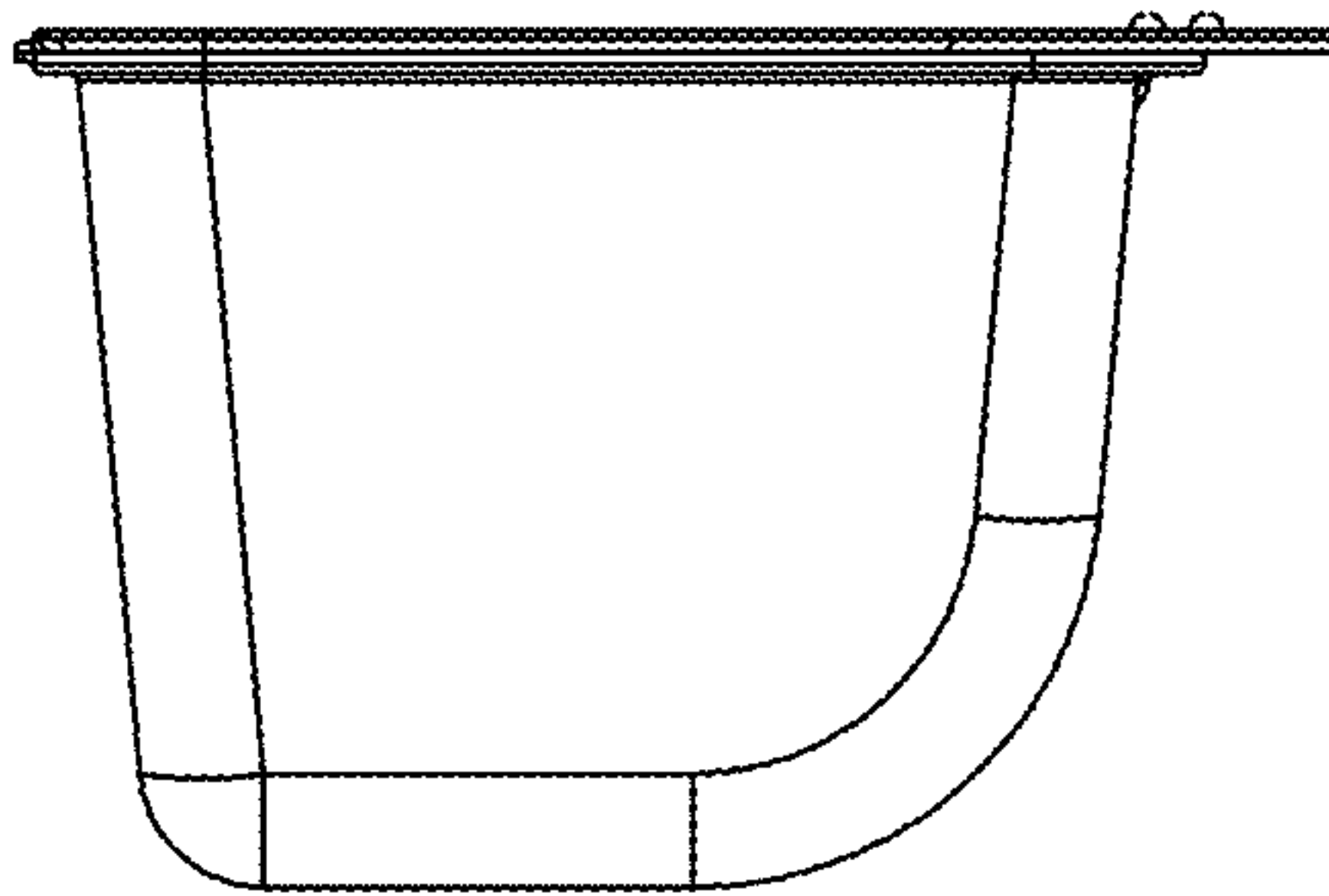
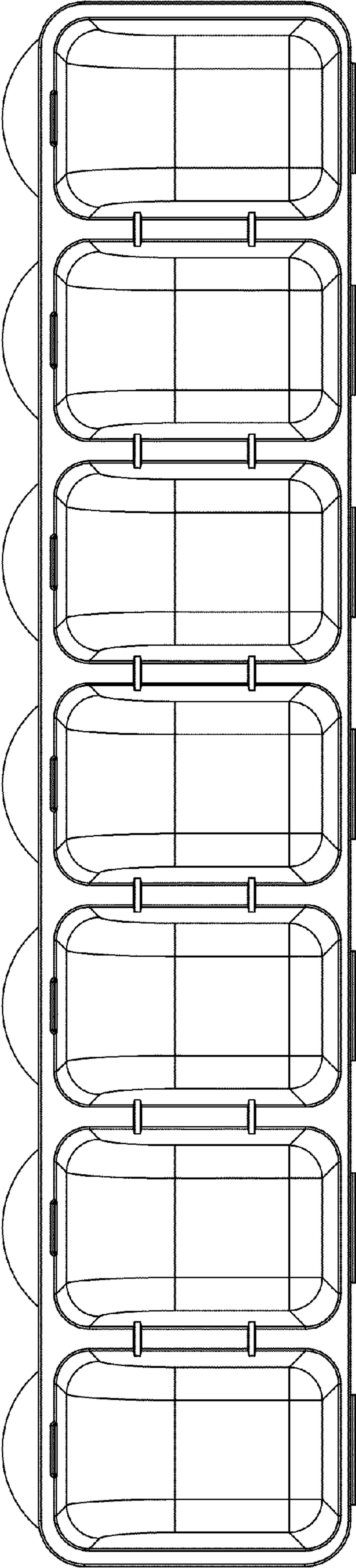
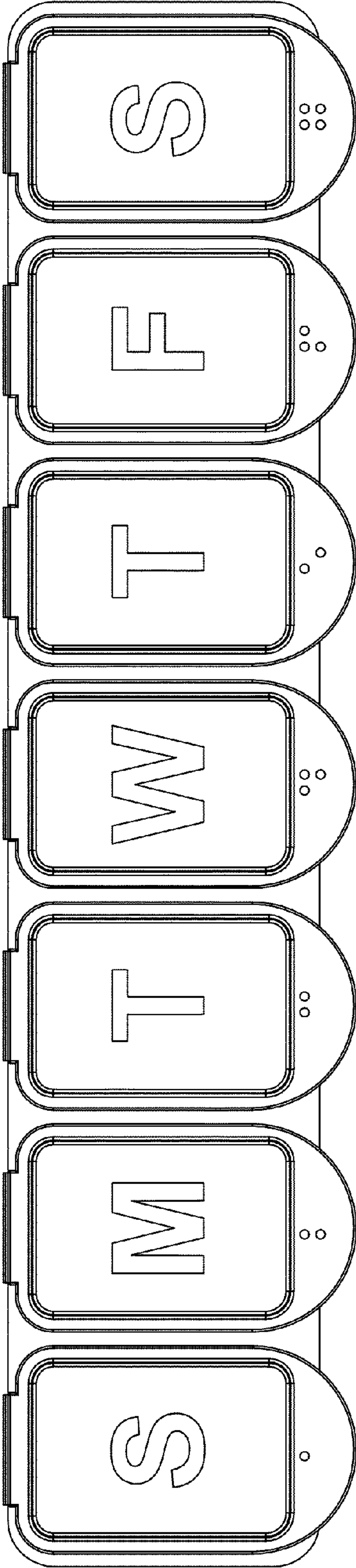


FIG. 4





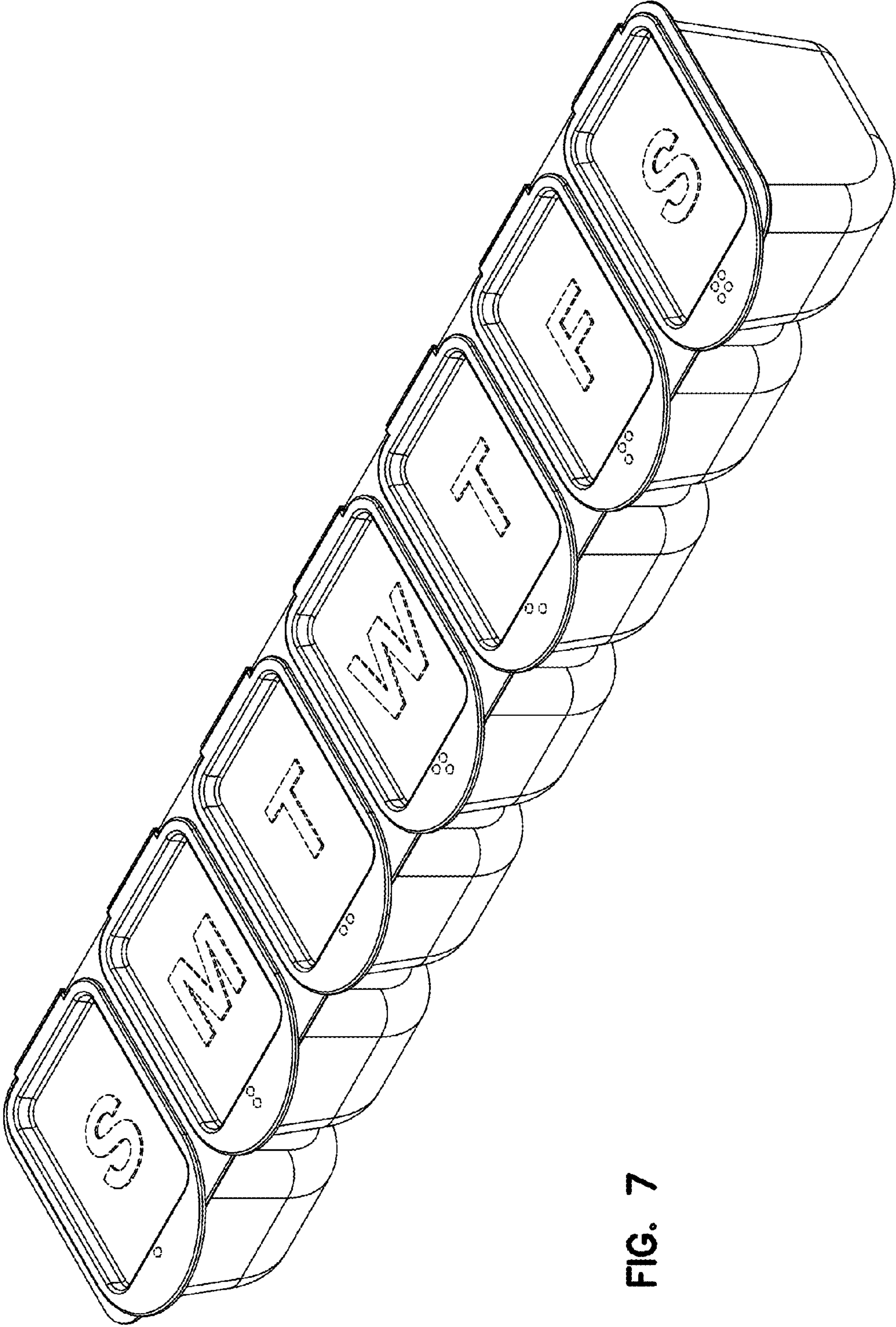


FIG. 7

FIG. 8

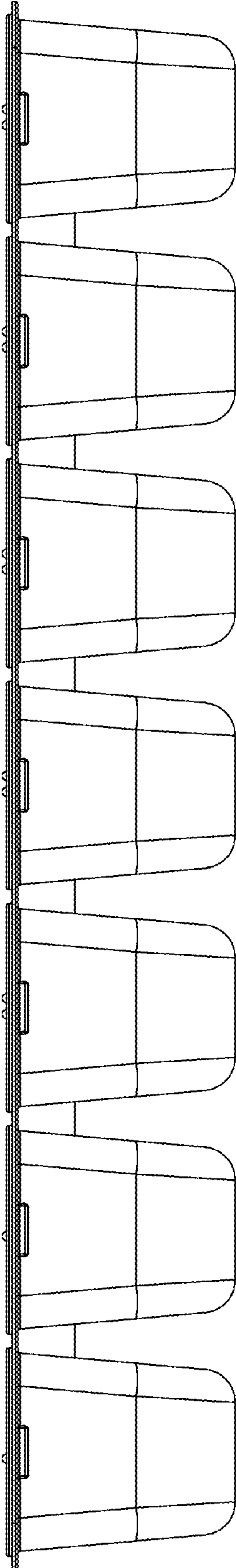


FIG. 9

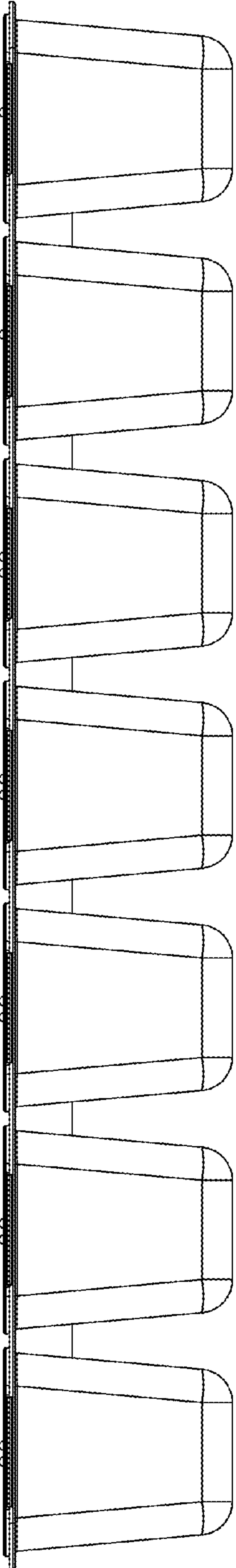


FIG. 10

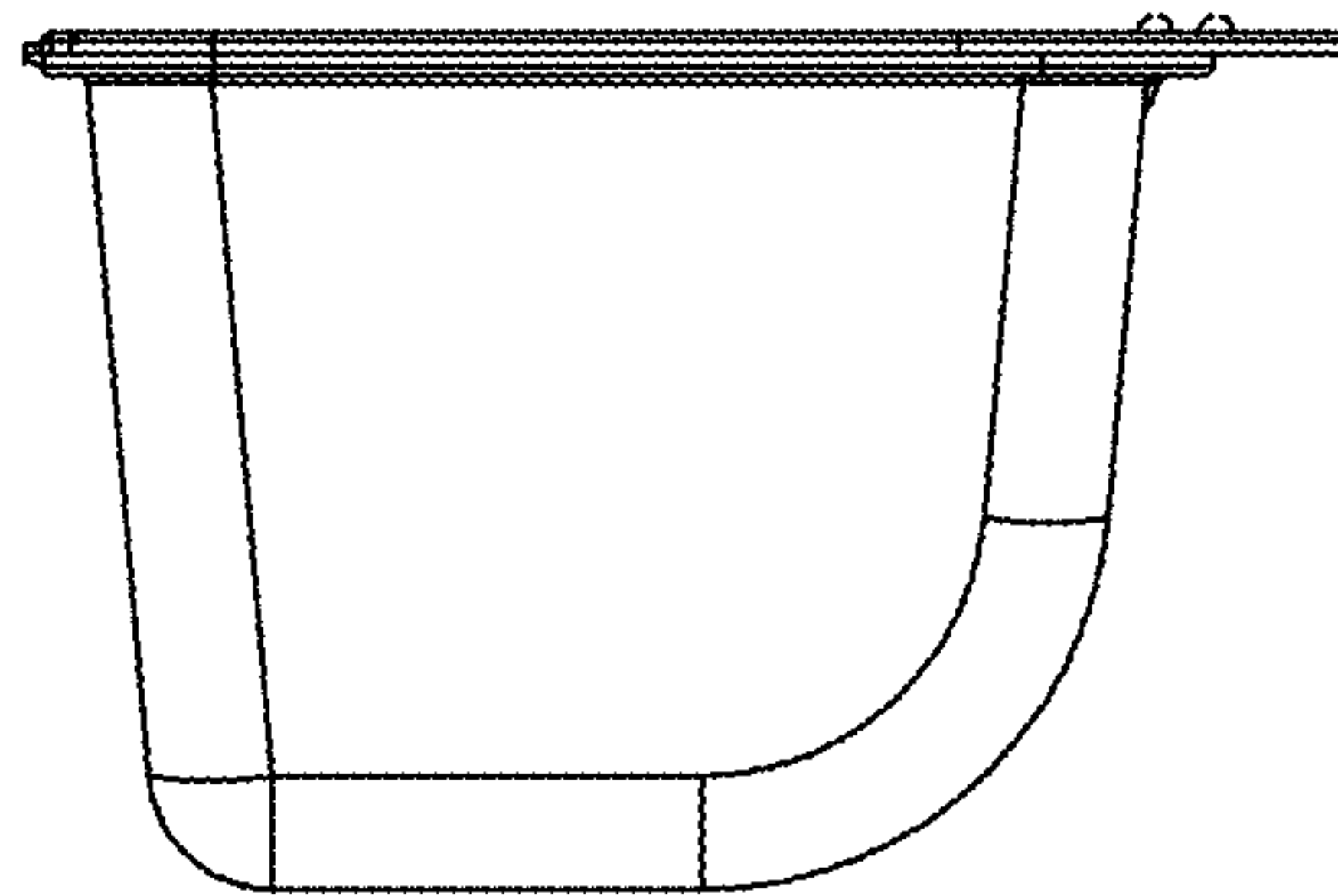


FIG. 11

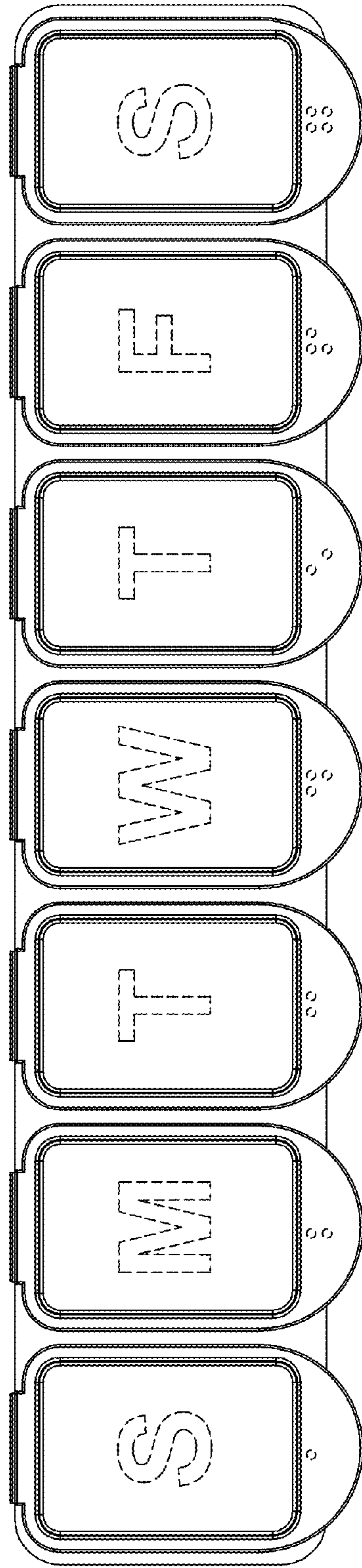
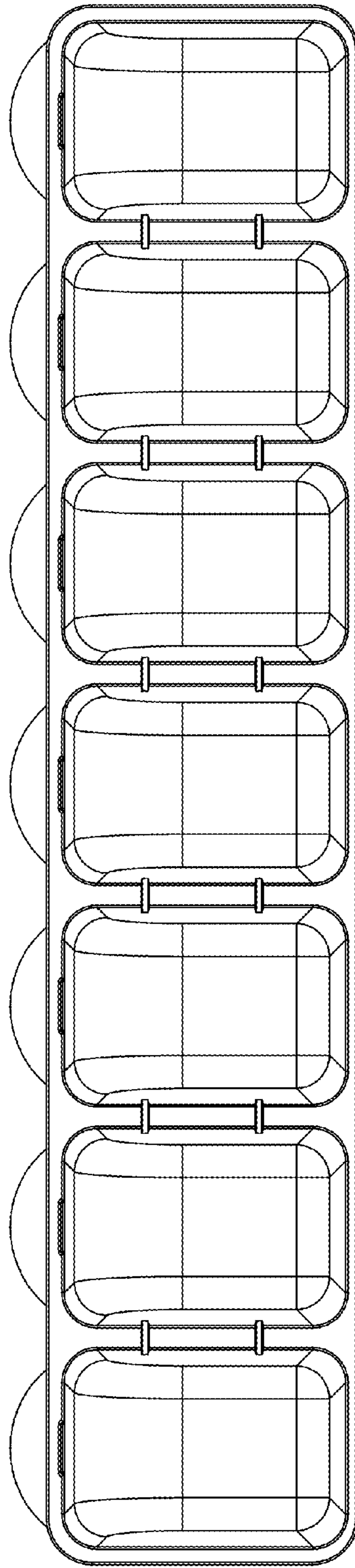


FIG. 12



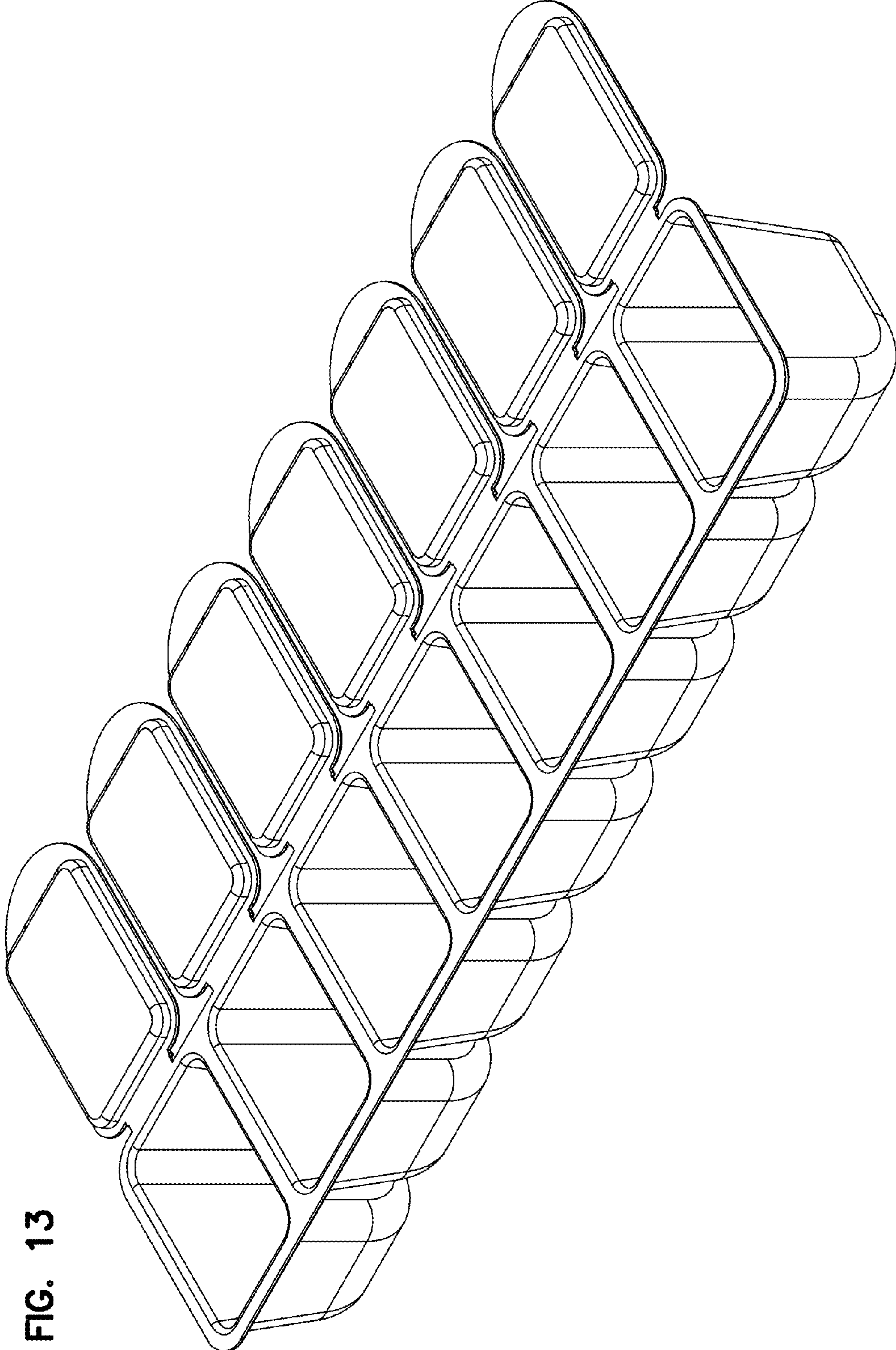


FIG. 13

FIG. 14

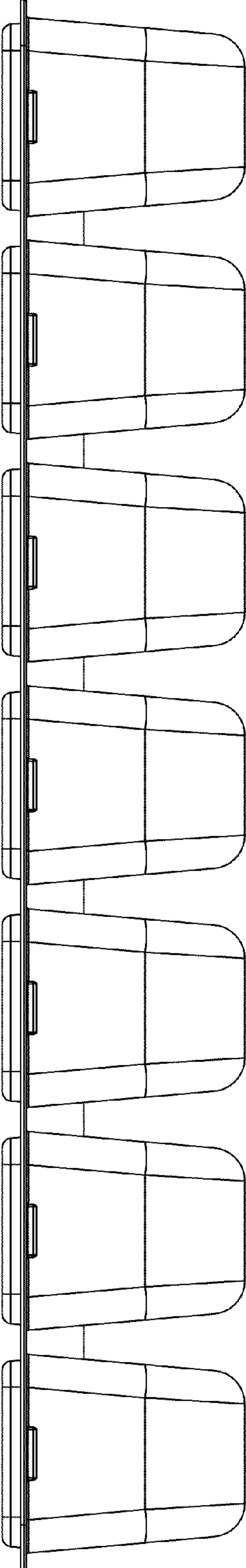


FIG. 15

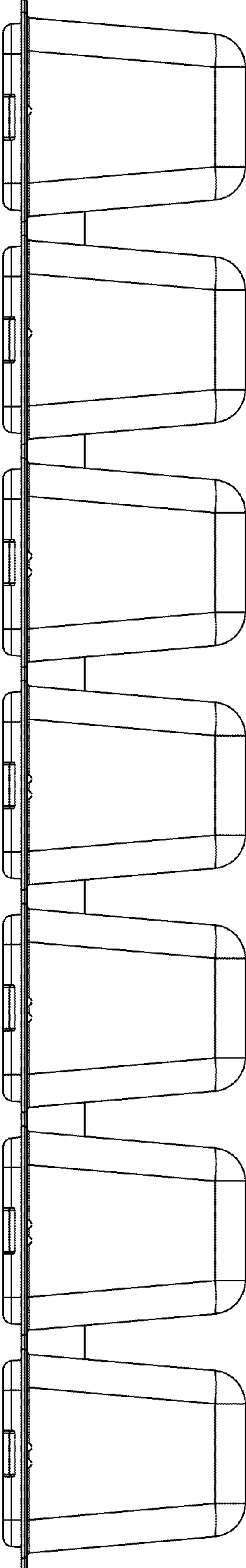


FIG. 16

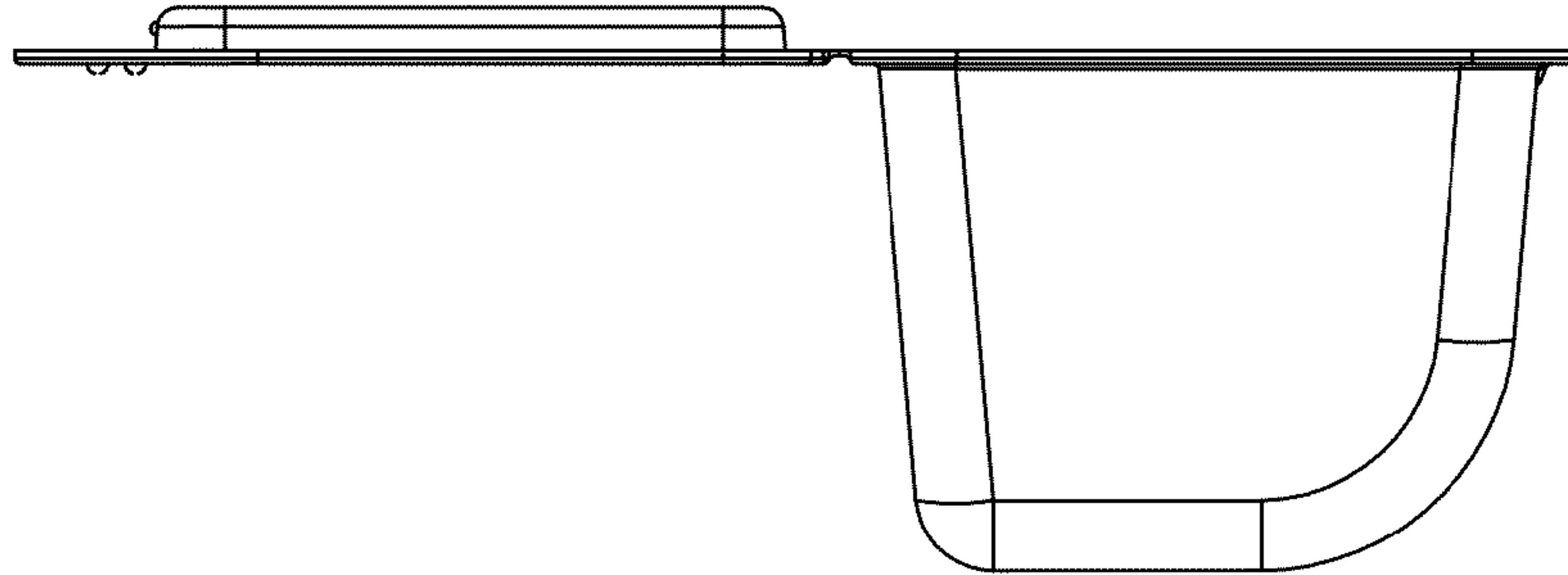


FIG. 17

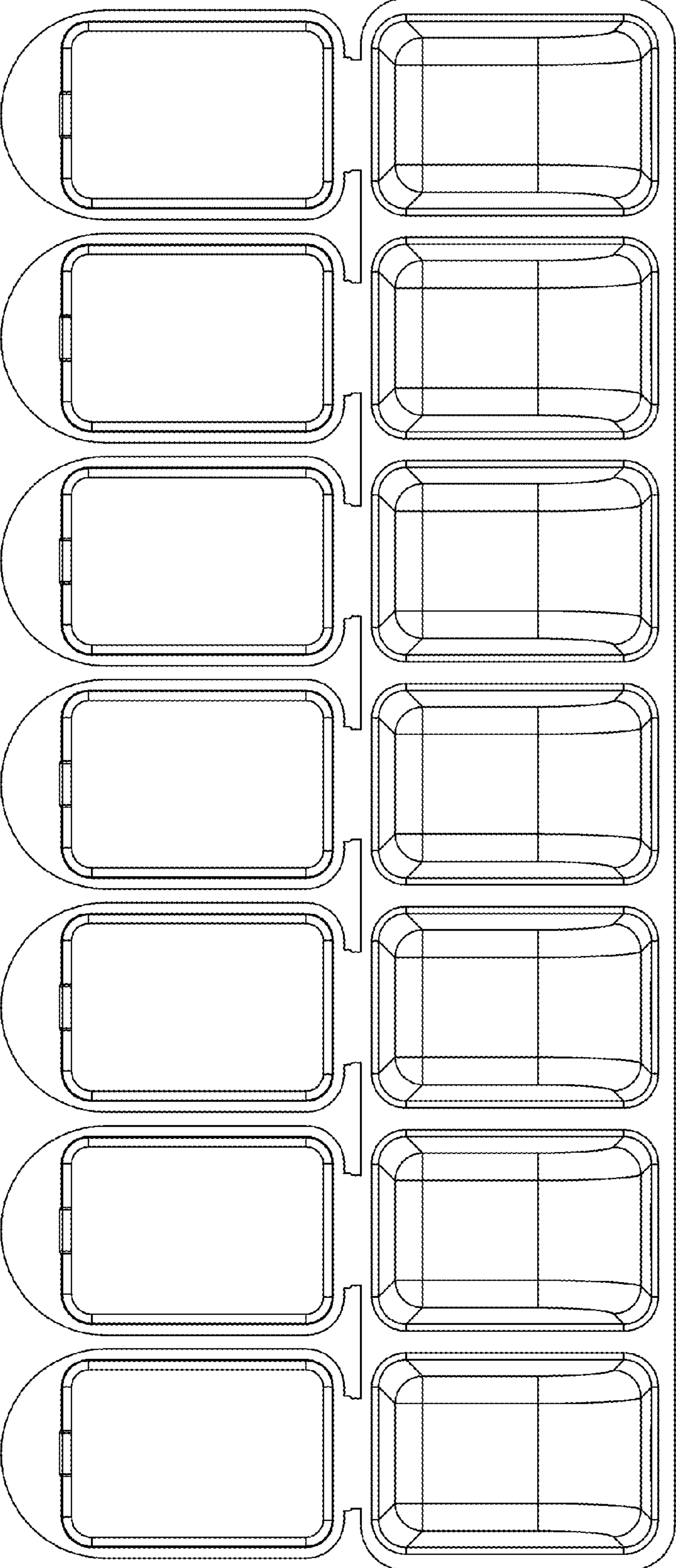


FIG. 18

