



US00D684353S

(12) **United States Design Patent**
Grohs

(10) **Patent No.:** **US D684,353 S**

(45) **Date of Patent:** **** Jun. 18, 2013**

(54) **PATIO FAN SHADE**

(76) **Inventor:** **Susan Grohs, St. Paul, MN (US)**

(**) **Term:** **14 Years**

(21) **Appl. No.:** **29/372,589**

(22) **Filed:** **Dec. 13, 2010**

(51) **LOC (9) Cl.** **03-03**

(52) **U.S. Cl.**
USPC **D3/5**

(58) **Field of Classification Search**
USPC D3/1-5, 6, 10; D21/837, 839; D23/328,
D23/332, 333, 335-337, 370-386, 397,
411-414; D25/56, 57; 135/20.1, 98, 99;
248/676; 310/58, 59, 60 A, 60 R, 61-65;
392/365-369, 373, 374, 382, 383; 416/63,
416/179, 185, 186 R, 187, 189, 235, 244 R,
416/246, 247 R

See application file for complete search history.

(56) **References Cited**

U.S. PATENT DOCUMENTS

1,325,118	A *	12/1919	Shipman et al.	135/20.1
4,836,232	A *	6/1989	De Rosa et al.	135/99
D359,161	S *	6/1995	Byrne	D3/5
D443,409	S *	6/2001	Pilz et al.	D3/5
6,422,252	B1 *	7/2002	Pilz et al.	135/98
D522,605	S *	6/2006	Bishirjian	D21/837
D600,439	S *	9/2009	Zonsius	D3/5
D612,146	S *	3/2010	Clarke	D3/5

D638,622 S * 5/2011 He D3/5
2011/0129365 A1 * 6/2011 Chen 417/410.1
2012/0145207 A1 * 6/2012 VanVonderen 135/98

* cited by examiner

Primary Examiner — Garth Rademaker
(74) *Attorney, Agent, or Firm* — DL Tschida

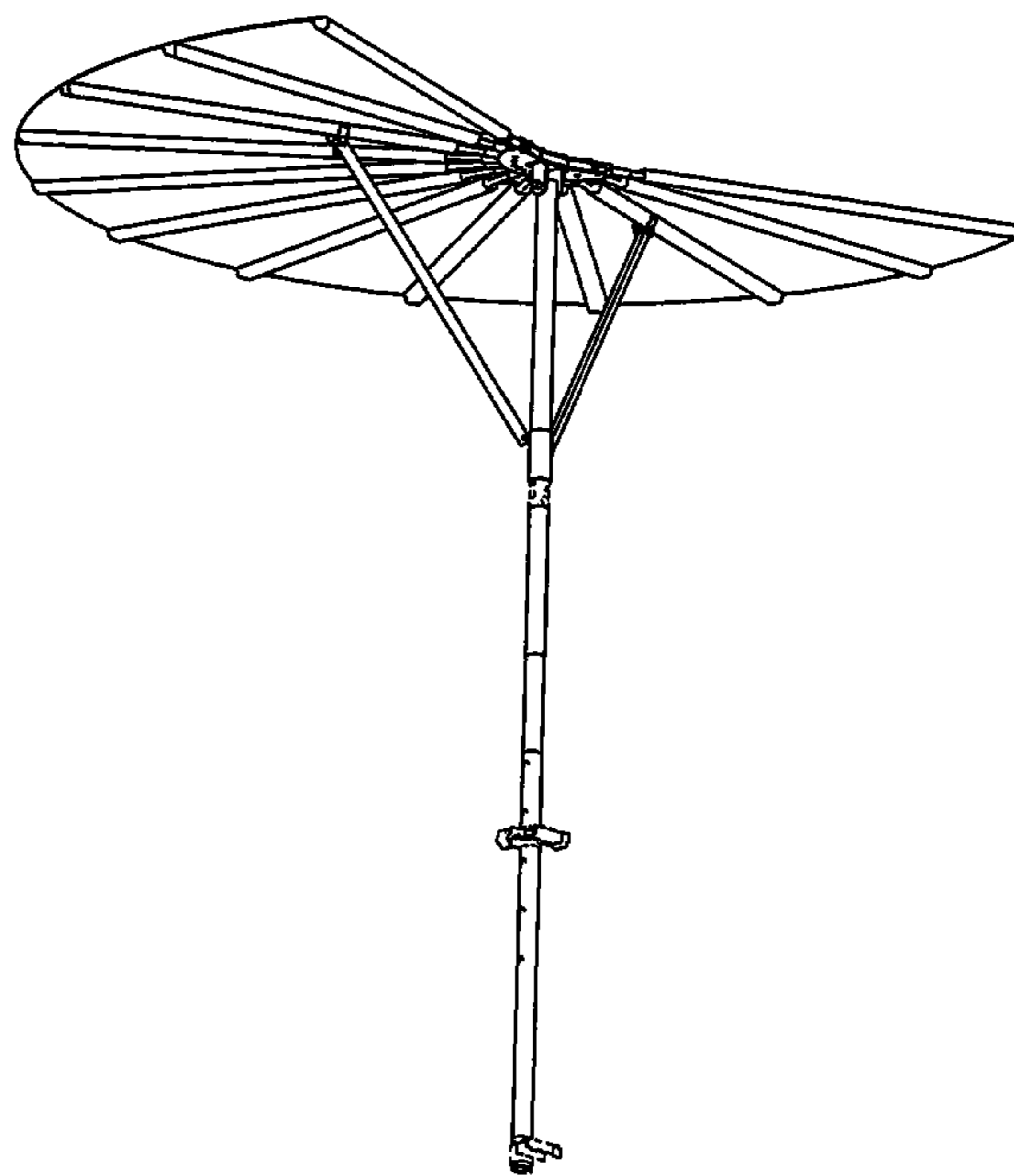
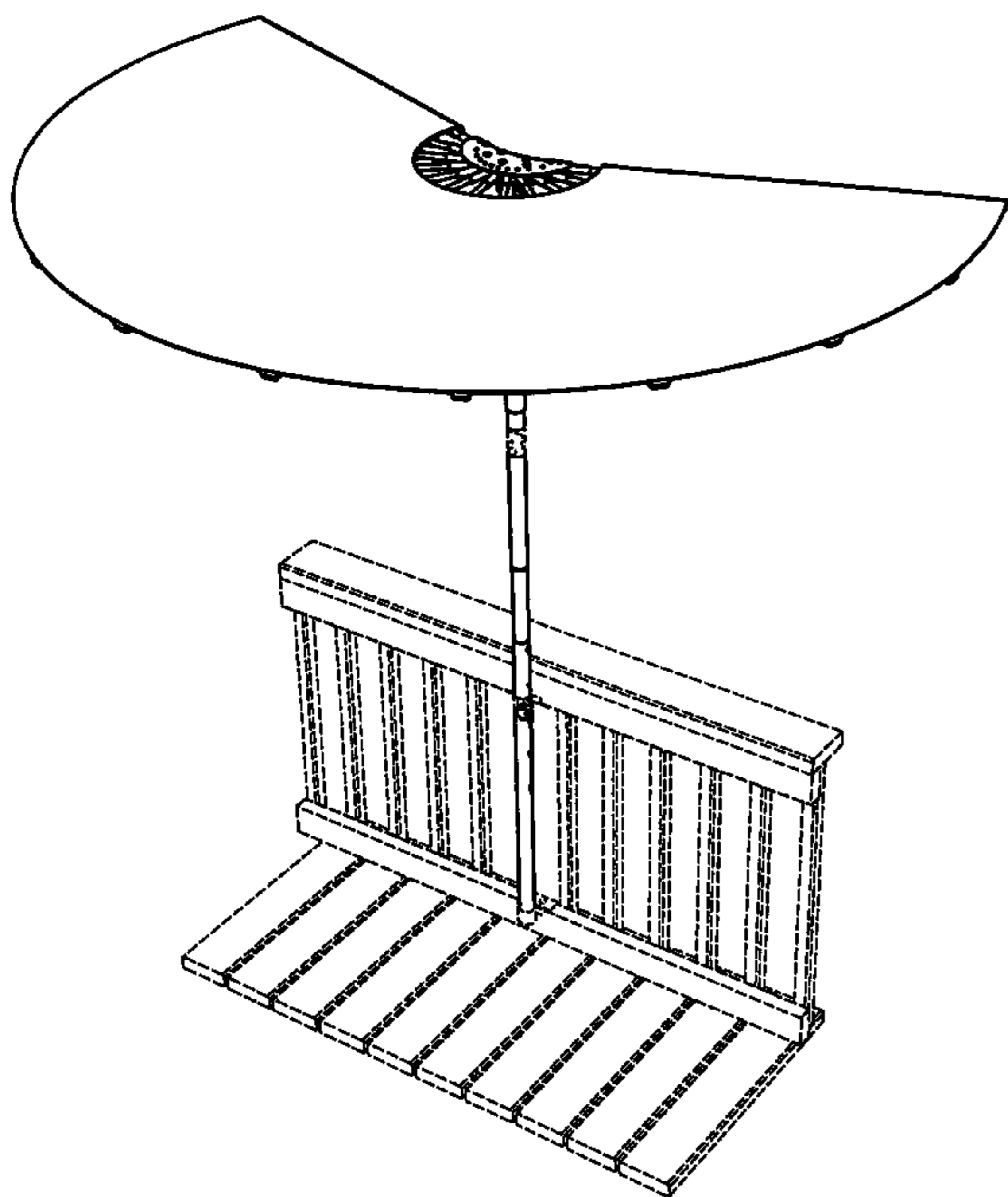
(57) **CLAIM**

The ornamental design for a patio fan shade, as shown and described.

DESCRIPTION

FIG. 1 is a top, rear perspective view of a patio fan shade. FIG. 2 is a top plan view thereof; FIG. 3 is a bottom plan view thereof; FIG. 4 is a front view thereof, shown with a section of the pole portion removed for ease of disclosure, the rear view being a mirror image thereof; FIG. 5 is a bottom, rear perspective view thereof; FIG. 6 is an enlarged view of section 6 of FIG. 5; FIG. 7 is a bottom, side perspective view thereof; FIG. 8 is a bottom, side perspective view thereof, shown at an enlarged scale and with the bottom section of the pole portion removed for ease of disclosure; FIG. 9 is a top, rear perspective view of the hub portion of the design, shown at an enlarged scale and with all other portions of the design removed for ease of disclosure; and, FIG. 10 is a bottom, front perspective view of the hub portion of the design, shown at an enlarged scale and with all other portions of the design removed for ease of disclosure. The broken lines depict environmental subject matter only and form no part of the claimed design.

1 Claim, 9 Drawing Sheets



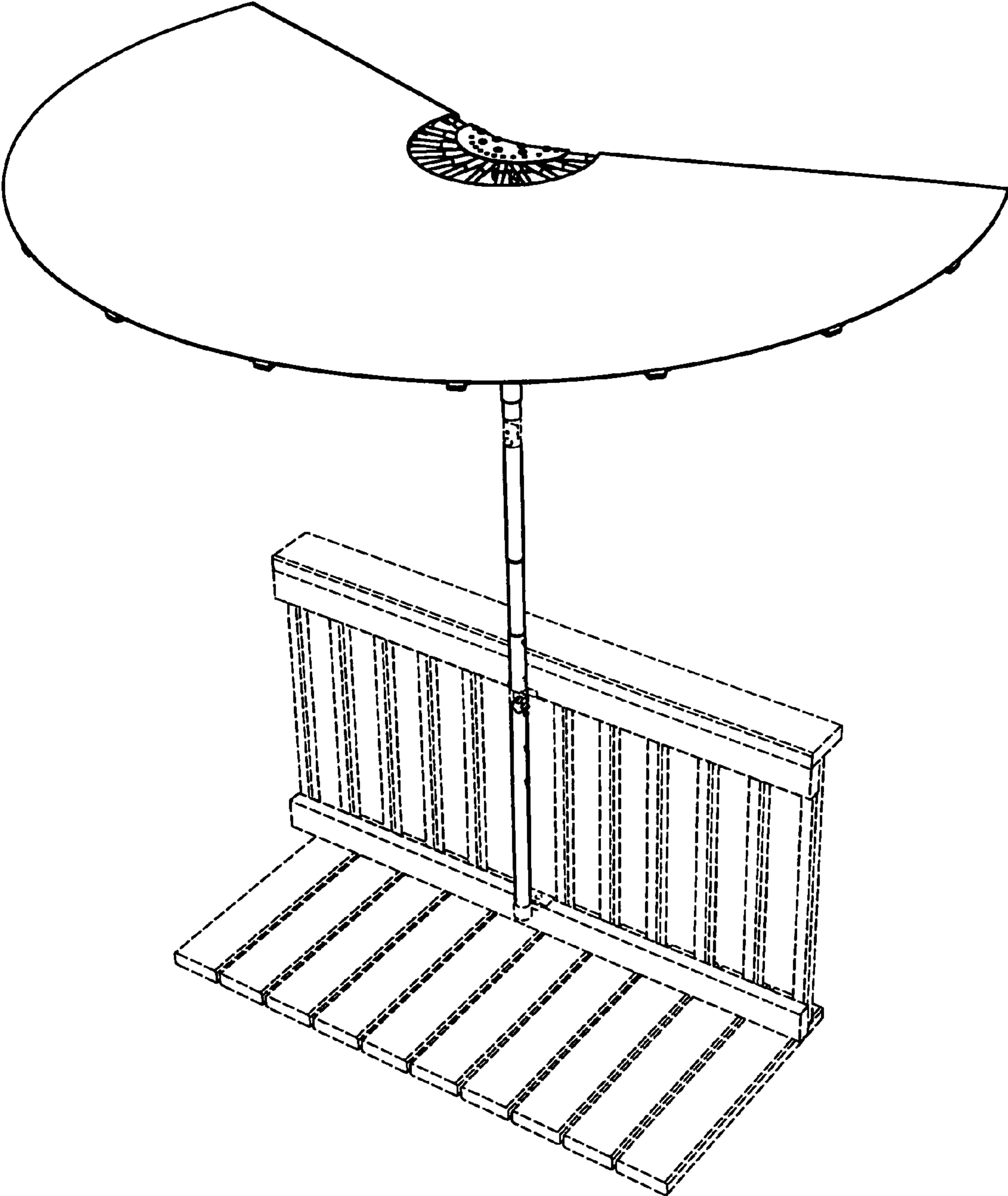


Fig 1

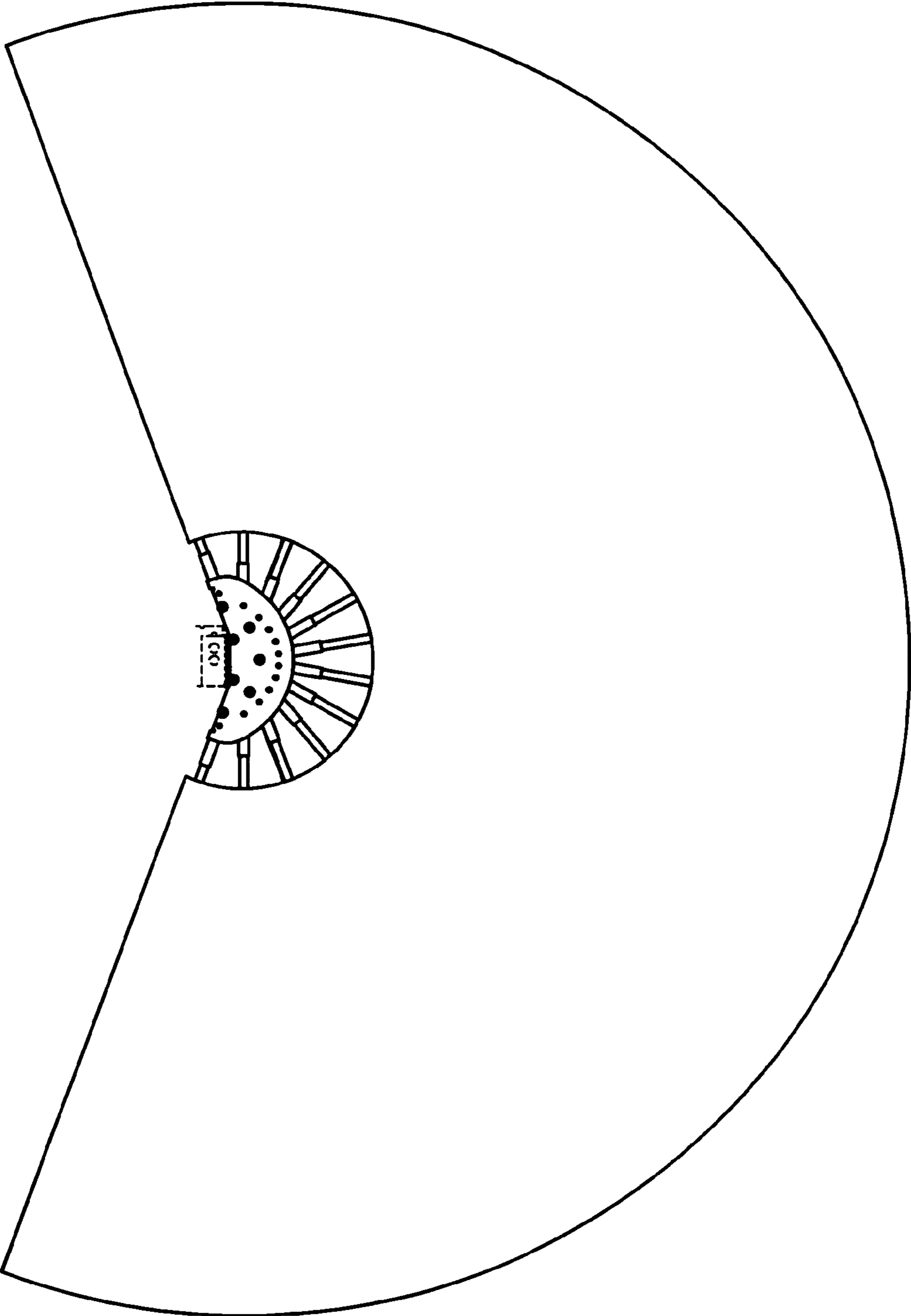


Fig 2

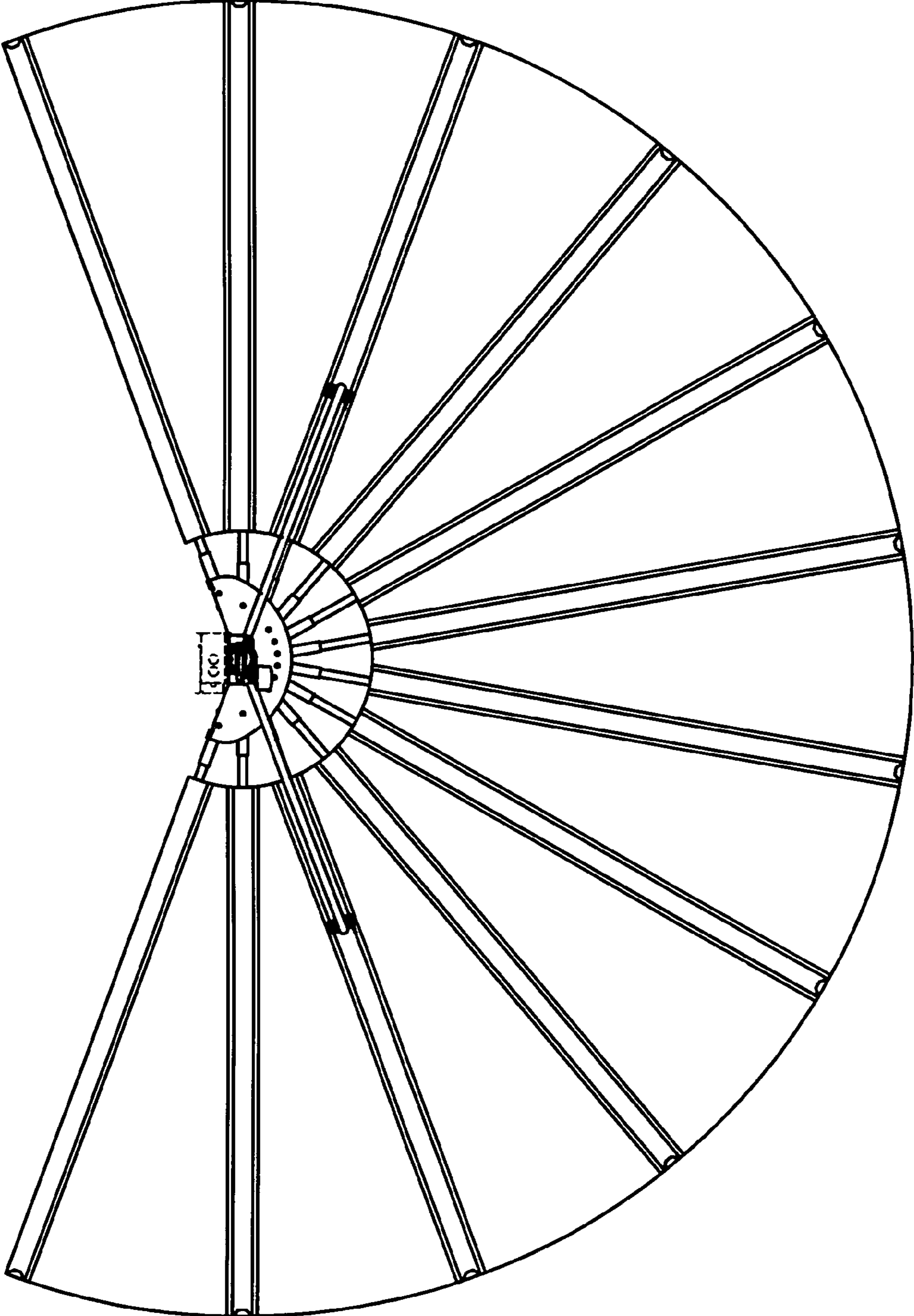


Fig 3

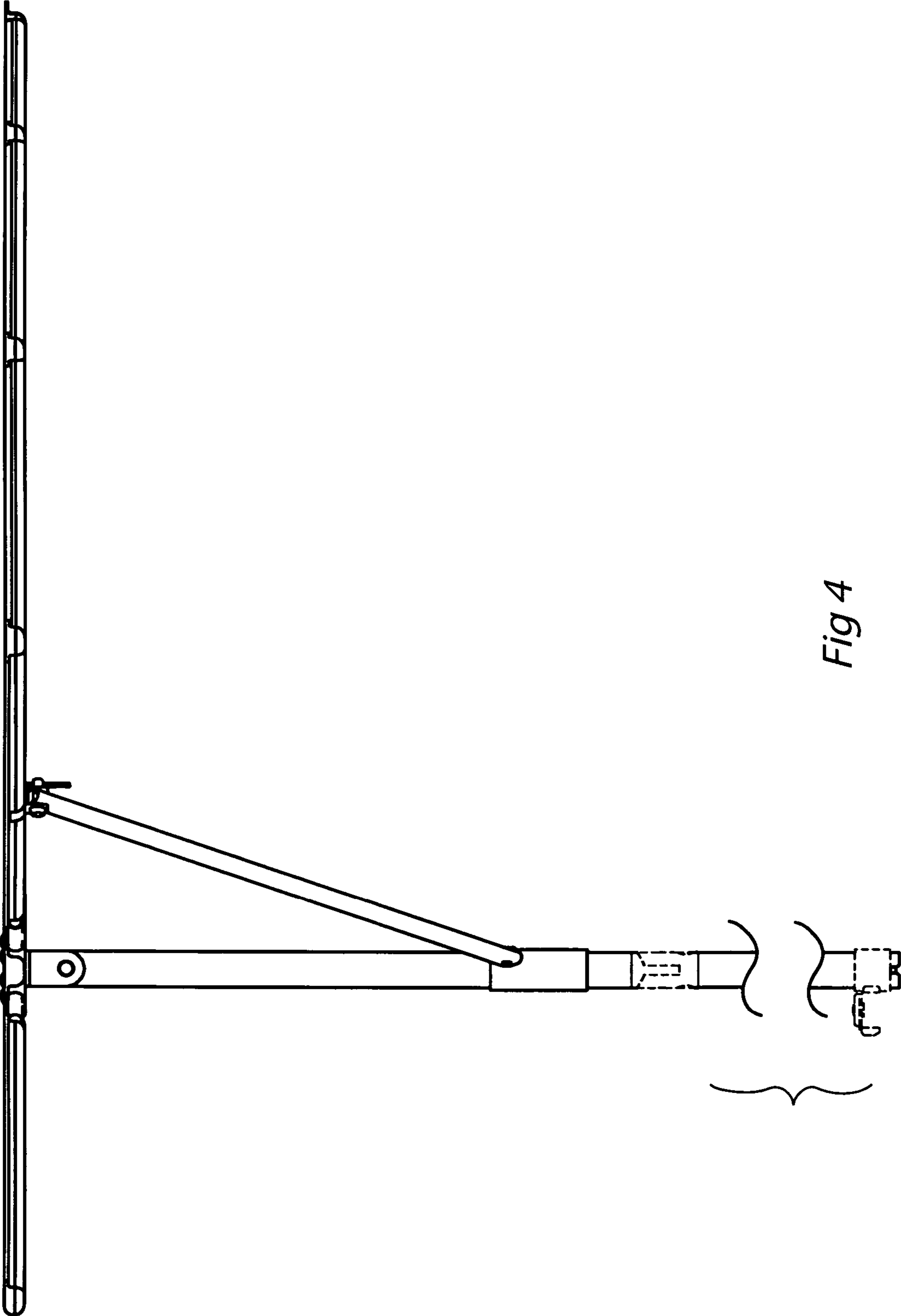


Fig 4

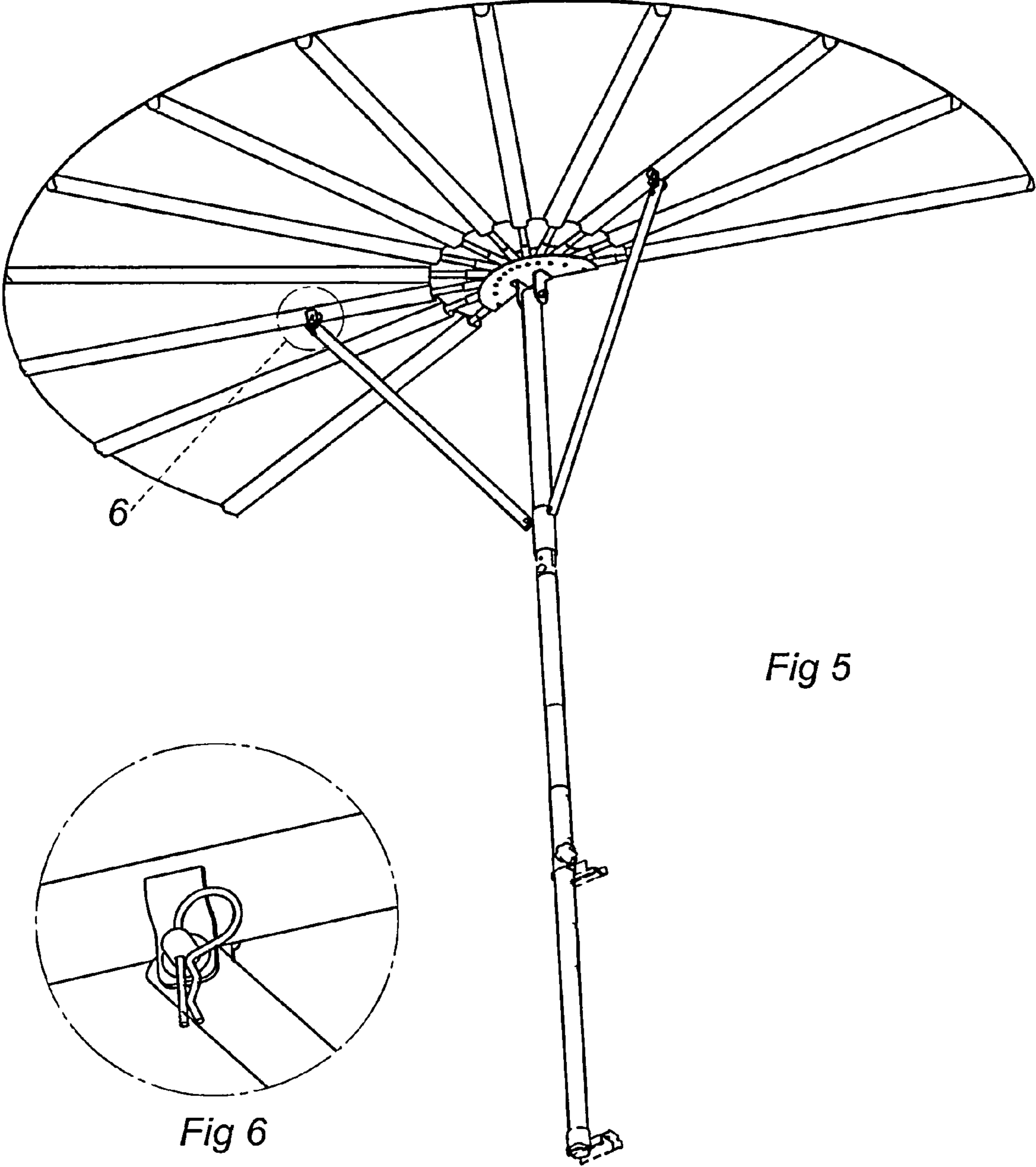


Fig 5

Fig 6

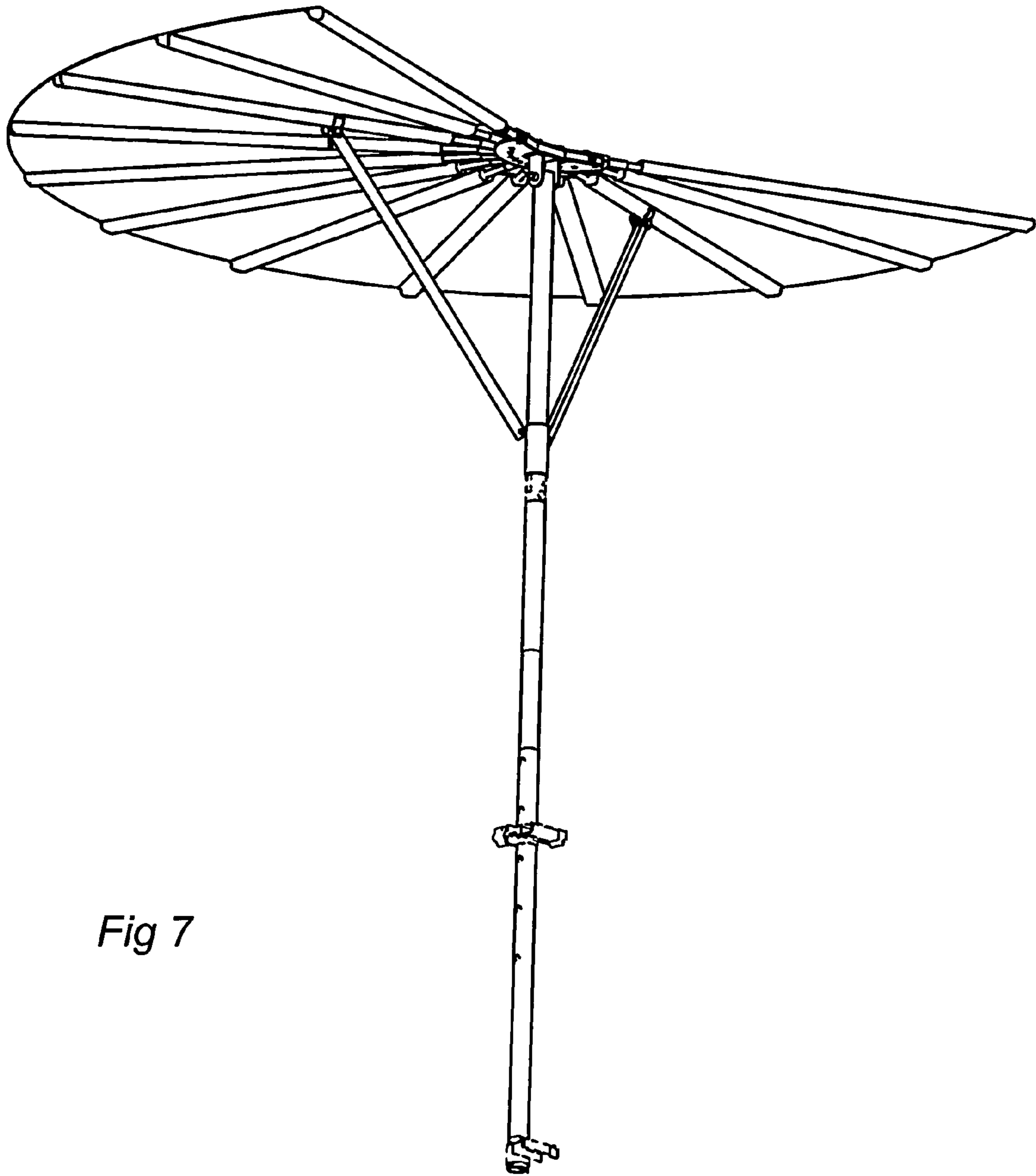


Fig 7

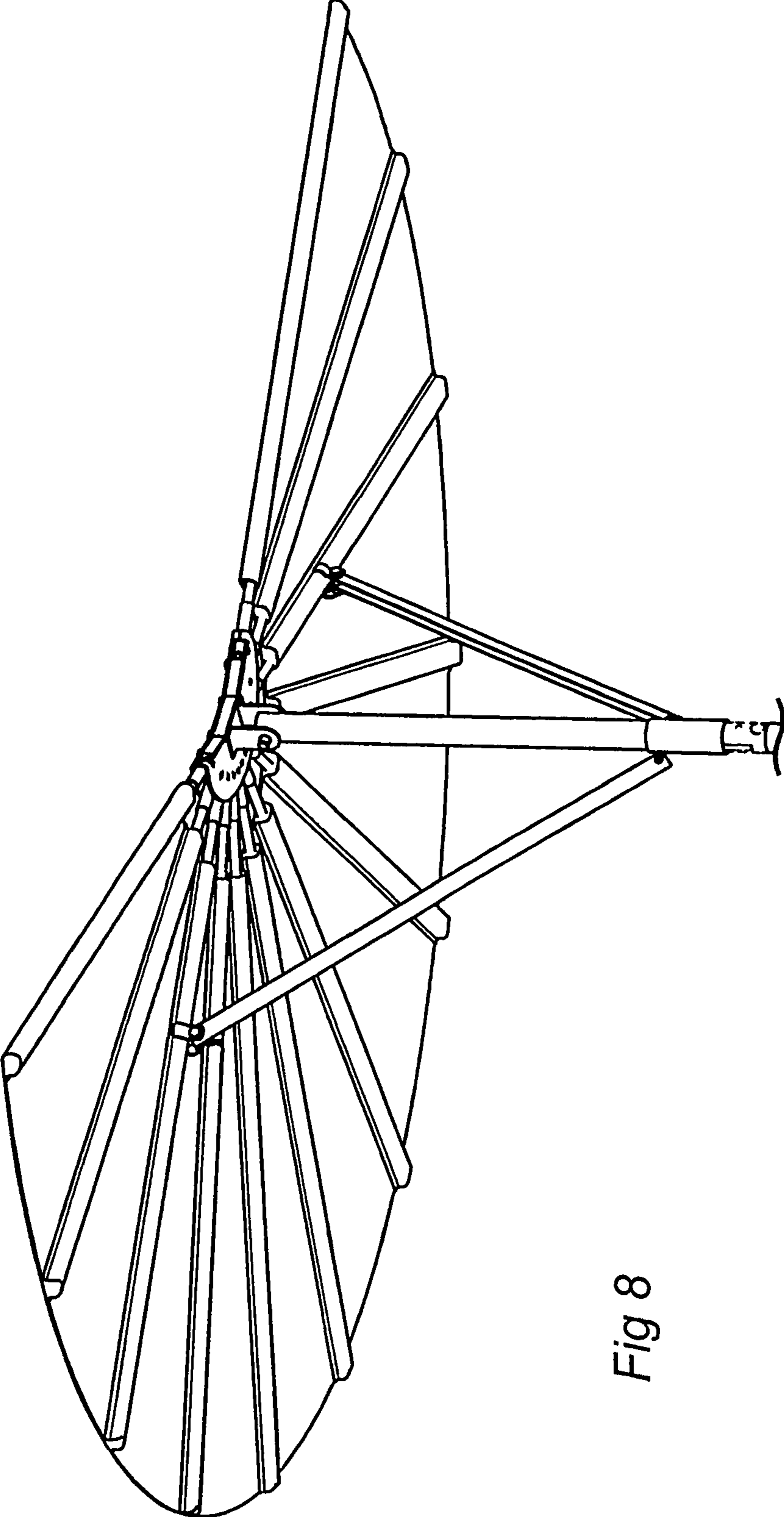


Fig 8

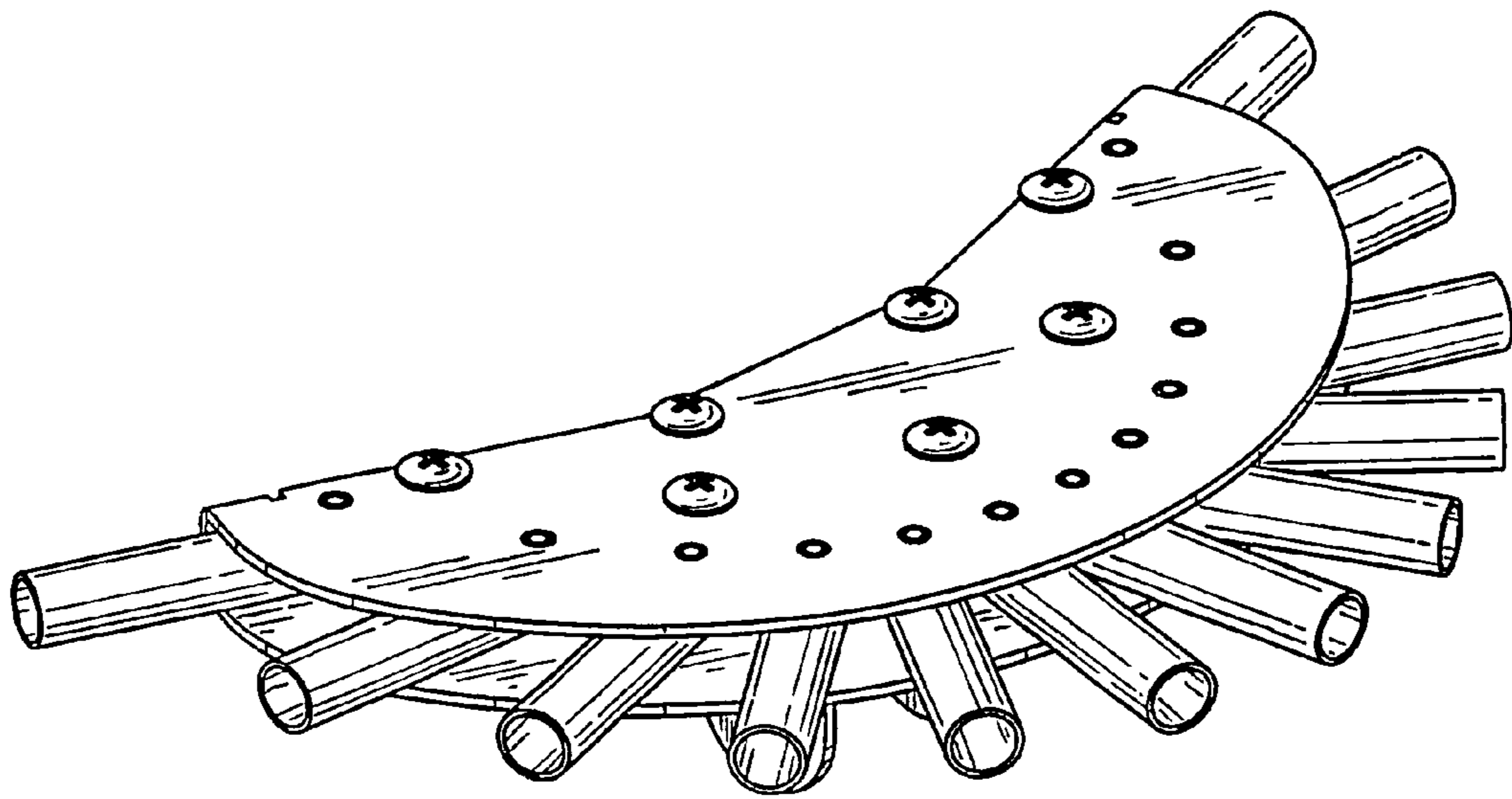


FIG. 9

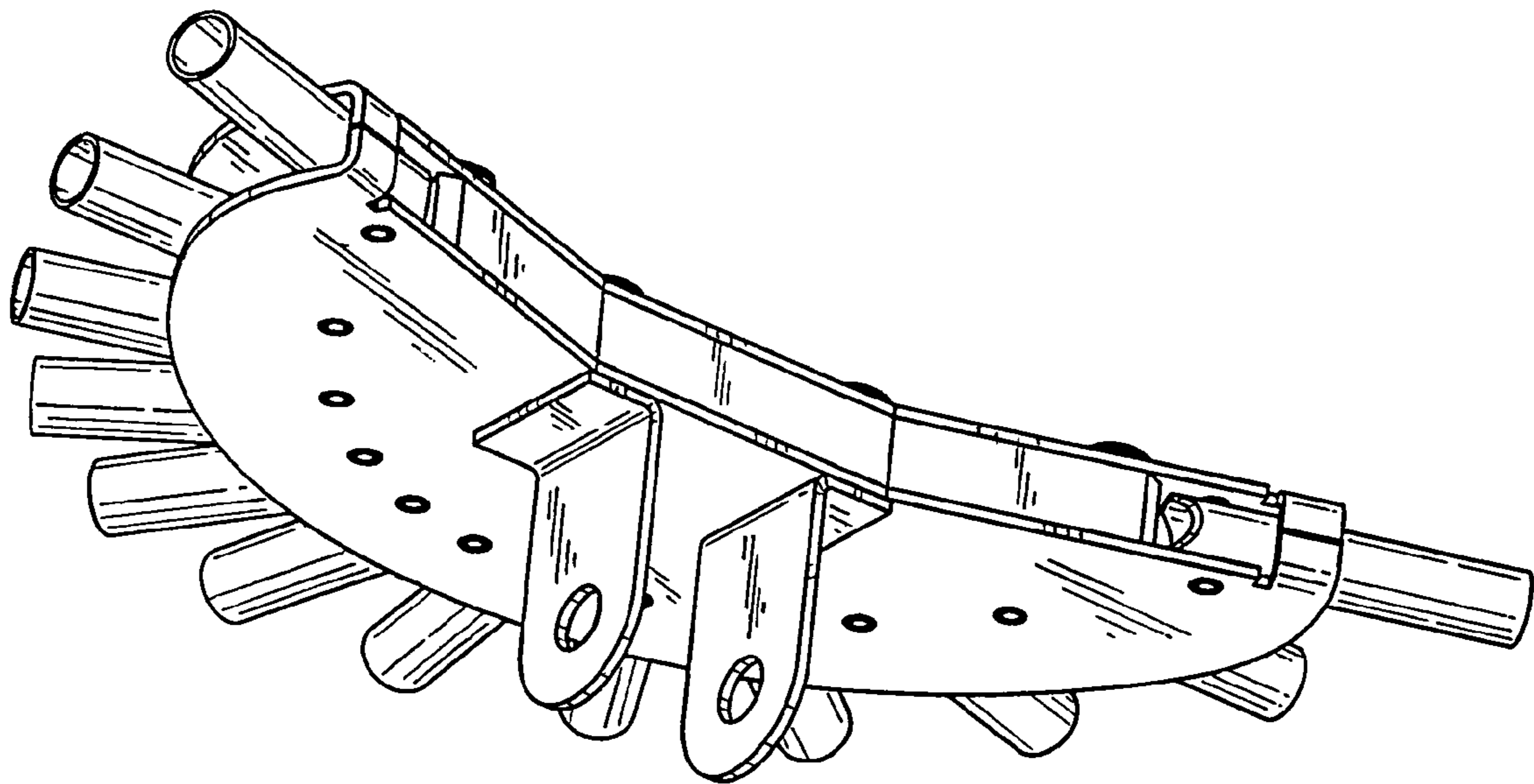


FIG. 10