



US00D684348S

(12) **United States Design Patent**
Castellon

(10) **Patent No.:** **US D684,348 S**

(45) **Date of Patent:** **** Jun. 18, 2013**

(54) **FOOTWEAR**

(75) Inventor: **Michael Castellon**, Portland, OR (US)

(73) Assignee: **Sorel Corporation**, Portland, OR (US)

(**) Term: **14 Years**

(21) Appl. No.: **29/392,130**

(22) Filed: **May 17, 2011**

(51) **LOC (9) Cl.** **02-04**

(52) **U.S. Cl.**
USPC **D2/960**; D2/951; D2/959

(58) **Field of Classification Search**
USPC D2/902, 906, 908, 916, 918, 925,
D2/946-962, 977; 36/3 B, 22 R, 24.5, 25 R,
36/28, 32 R, 34 R, 59 C, 67 A, 103
See application file for complete search history.

(56) **References Cited**

U.S. PATENT DOCUMENTS

293,354	A *	2/1884	Randall	36/19 R
2,941,317	A *	6/1960	Hack	36/149
D190,162	S *	4/1961	Holland	D2/960
3,290,803	A *	12/1966	Spatola	36/14
3,619,916	A *	11/1971	Neri	36/59 R
D241,586	S *	9/1976	Sebestik	D2/955
4,967,750	A *	11/1990	Cherniak	36/140
5,542,195	A *	8/1996	Sessa	36/28
D435,958	S *	1/2001	White	D2/947
D441,946	S *	5/2001	Agnew et al.	D2/960

D490,225	S *	5/2004	McClaskie	D2/960
D492,840	S *	7/2004	Hearn	D2/923
D503,028	S *	3/2005	Merceron	D2/953
D552,831	S *	10/2007	Cunningham	D2/897
D568,594	S *	5/2008	Ringholz	D2/957
D593,742	S *	6/2009	Issler	D2/960
D606,292	S *	12/2009	Ong	D2/947
D660,568	S *	5/2012	Blakeslee	D2/960
D667,619	S *	9/2012	Blakeslee	D2/960
D675,003	S *	1/2013	Leon et al.	D2/960

* cited by examiner

Primary Examiner — T. Chase Nelson

(74) *Attorney, Agent, or Firm* — Schwabe, Williamson & Wyatt, P.C.

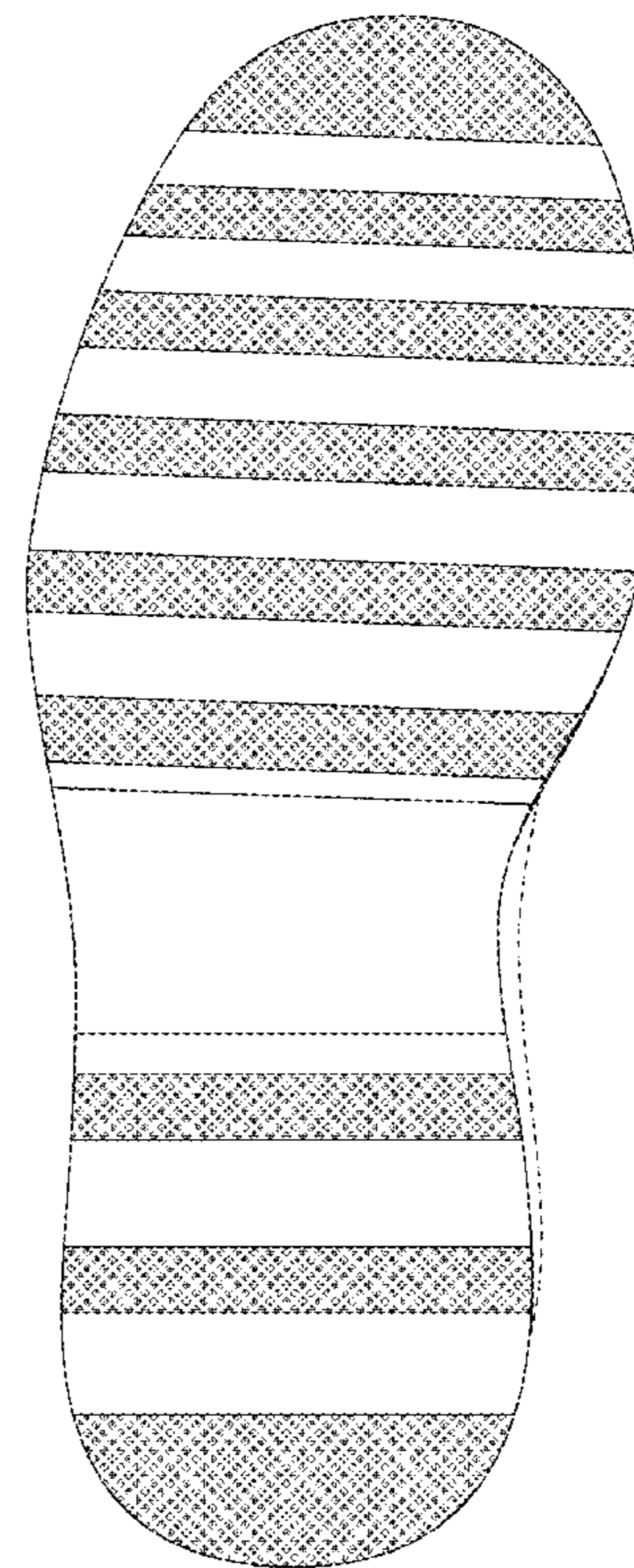
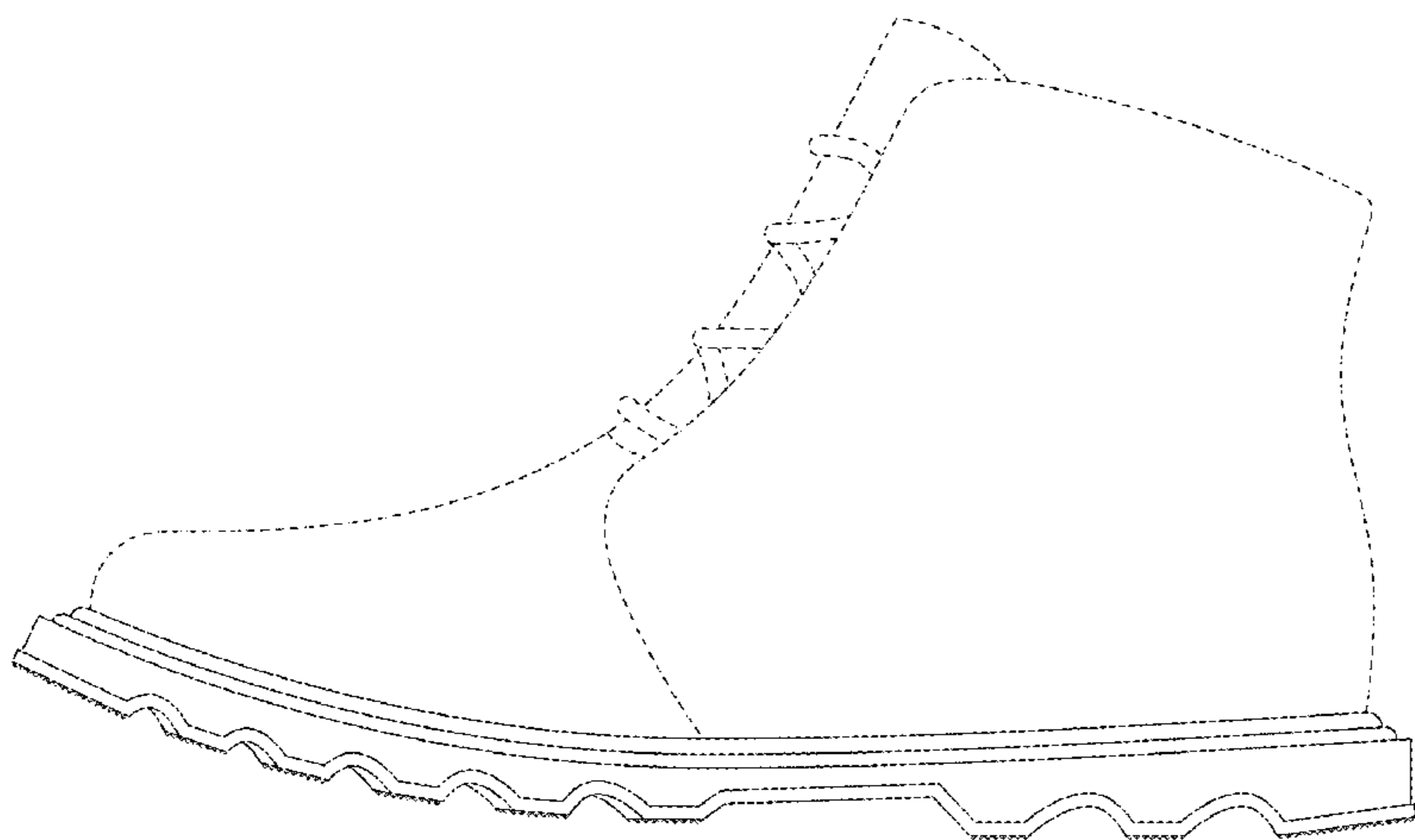
(57) **CLAIM**

I claim an ornamental design for footwear, as shown and described.

DESCRIPTION

FIG. 1 is a perspective view of footwear, showing my new design;
FIG. 2 is a front view thereof;
FIG. 3 is a back view thereof;
FIG. 4 is a left side view thereof;
FIG. 5 is a right side view thereof;
FIG. 6 is a top view thereof; and,
FIG. 7 is a bottom view thereof.
The dashed lines are included for illustrating environmental structure and form no part of the claimed design.

1 Claim, 6 Drawing Sheets



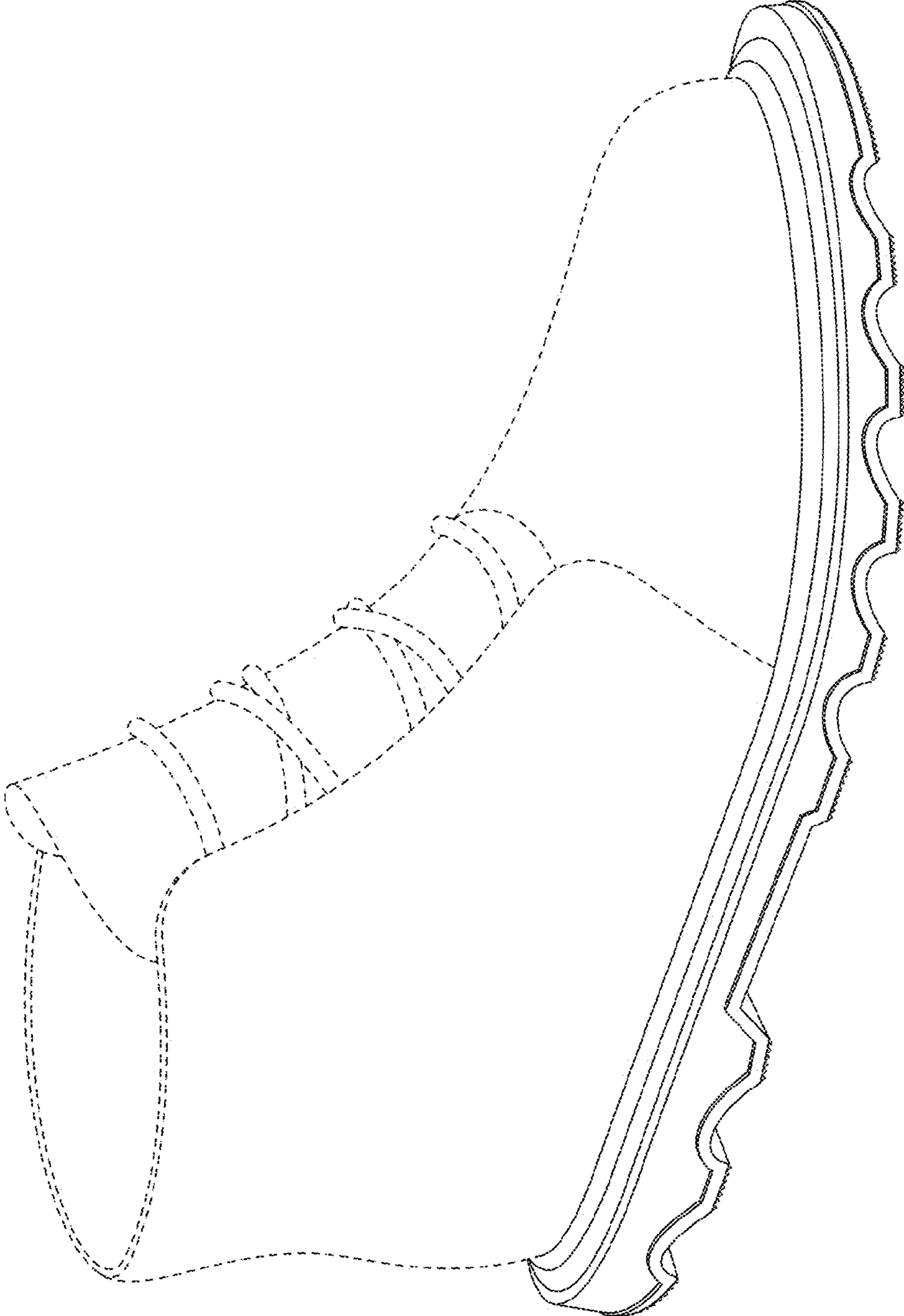


FIG. 1

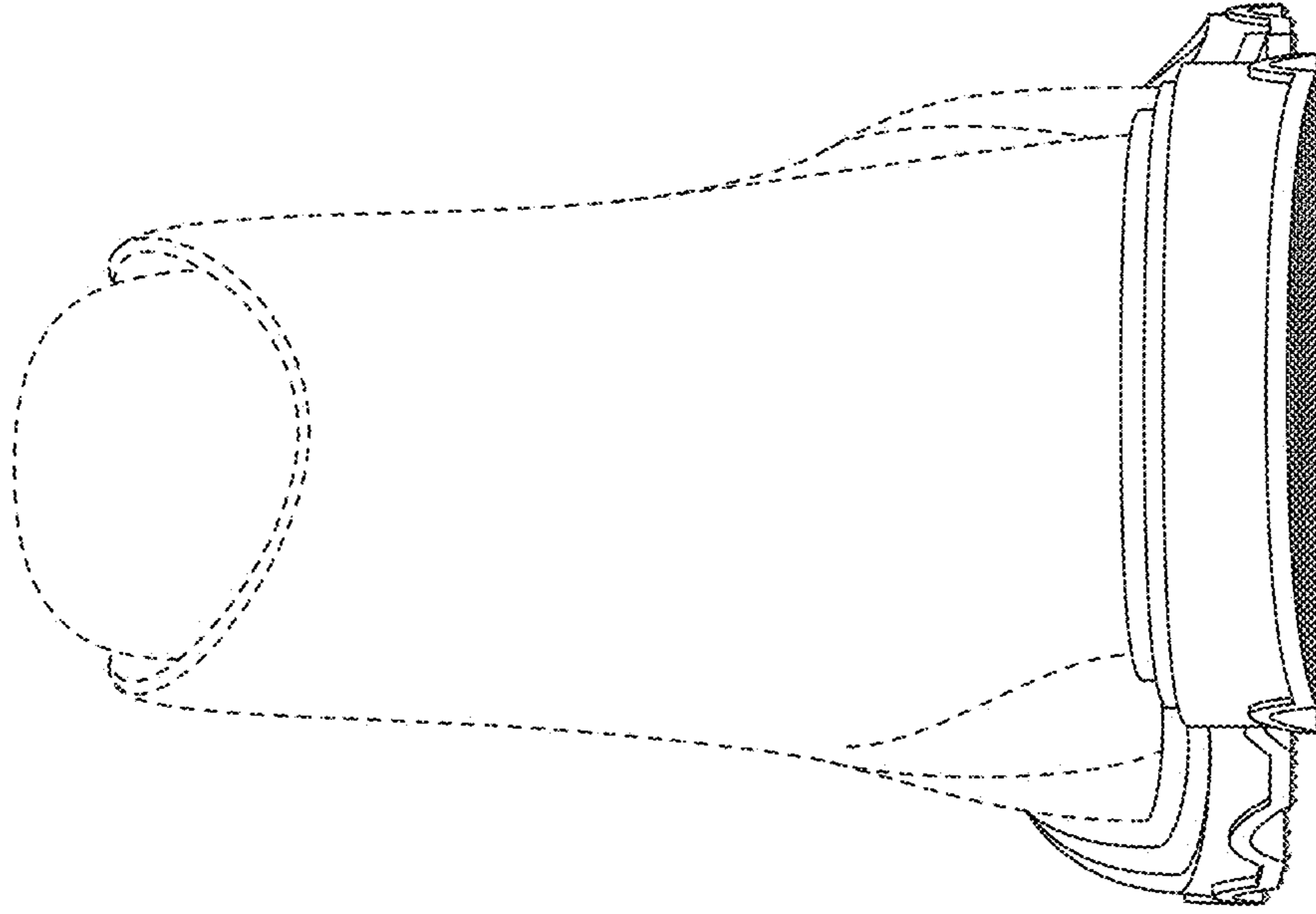


FIG. 3

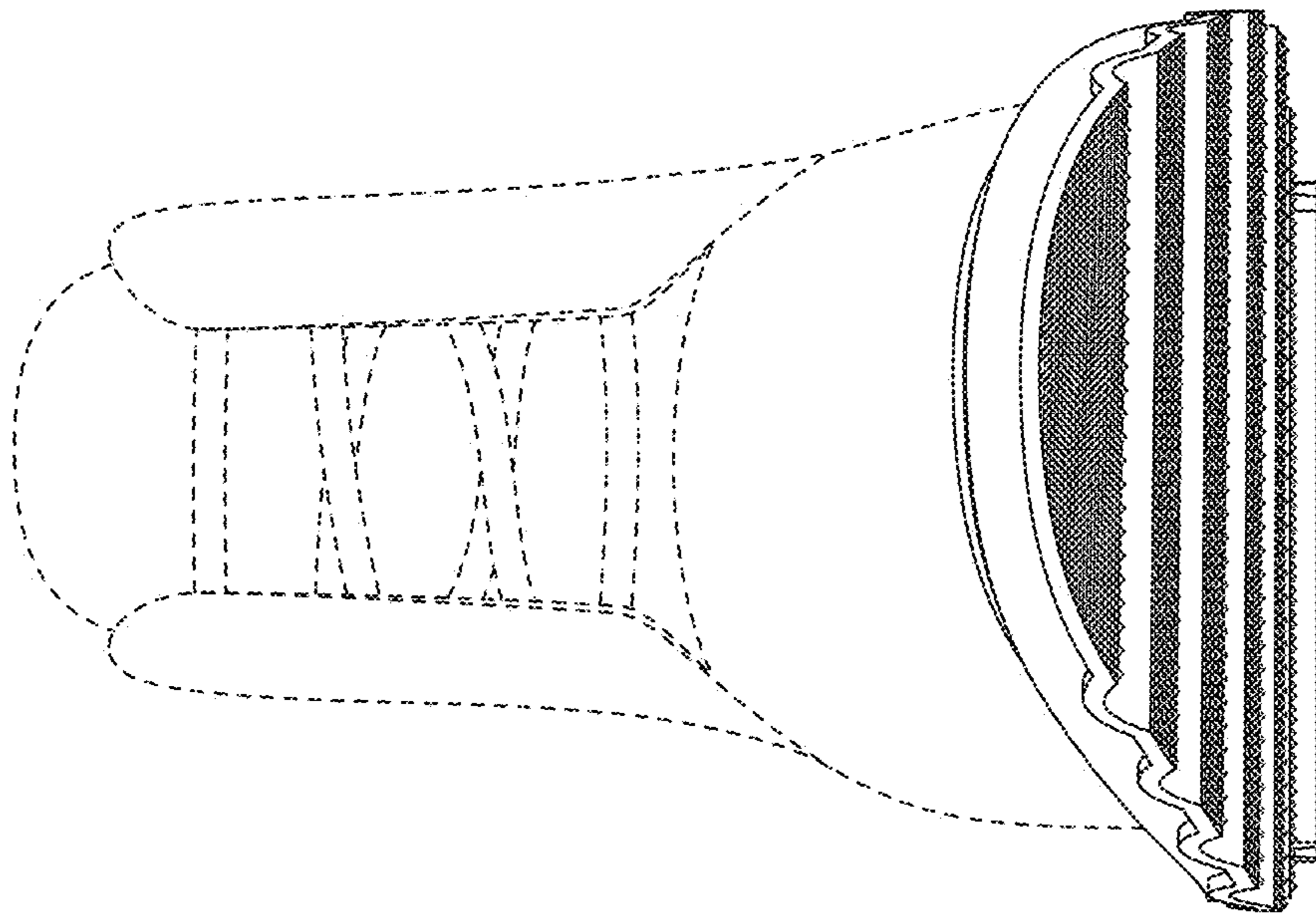


FIG. 2

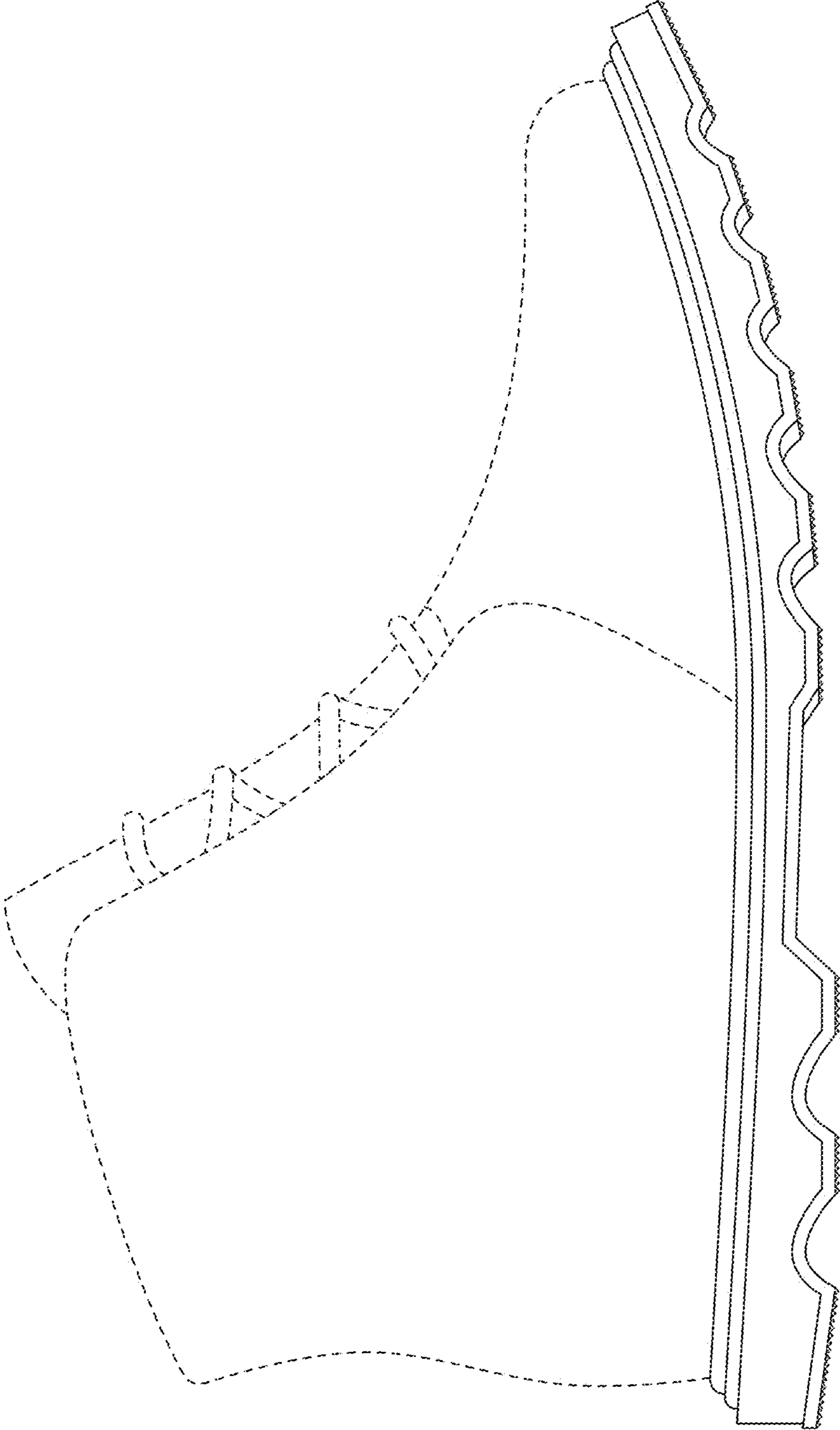


FIG. 4

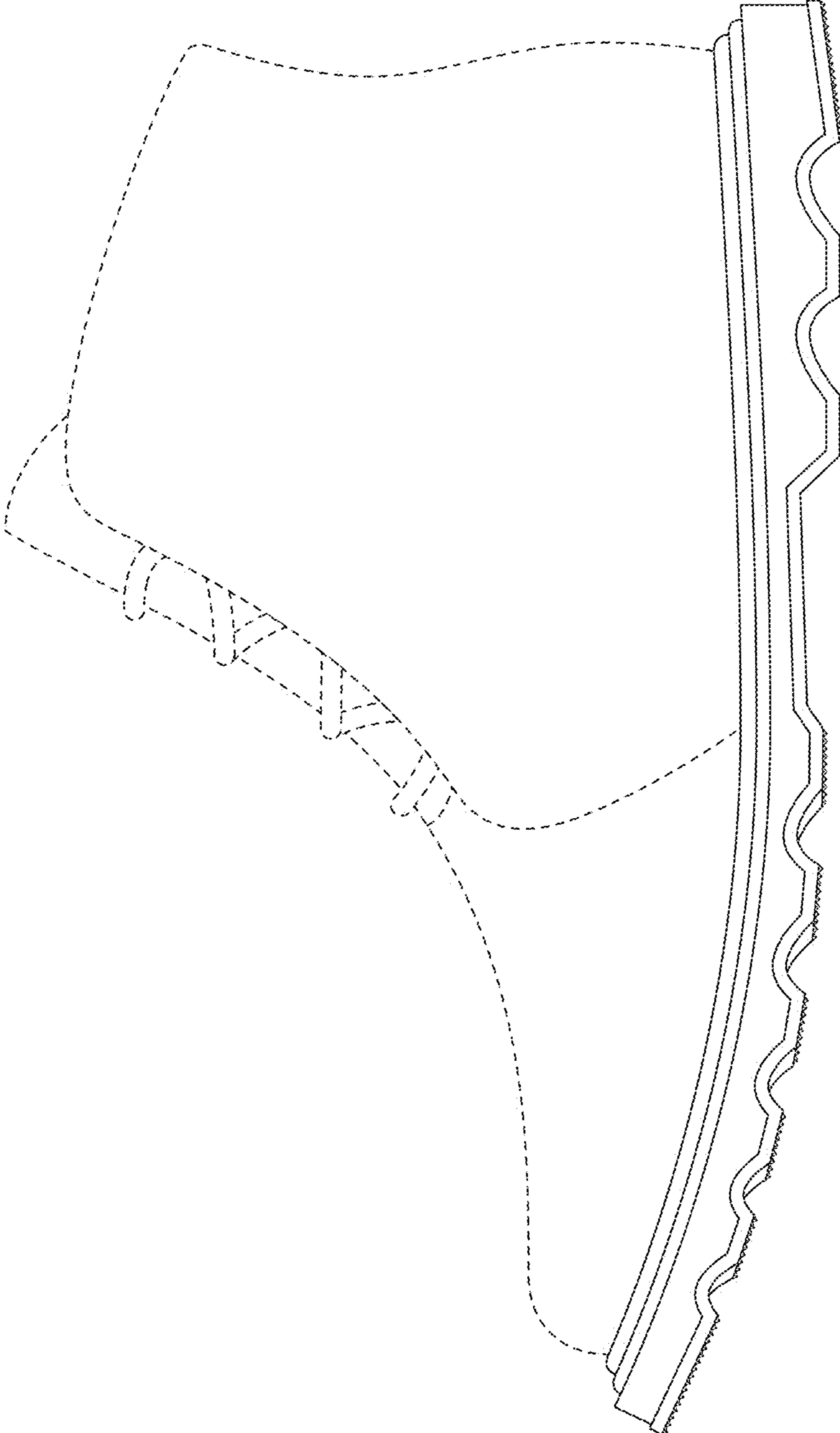


FIG. 5

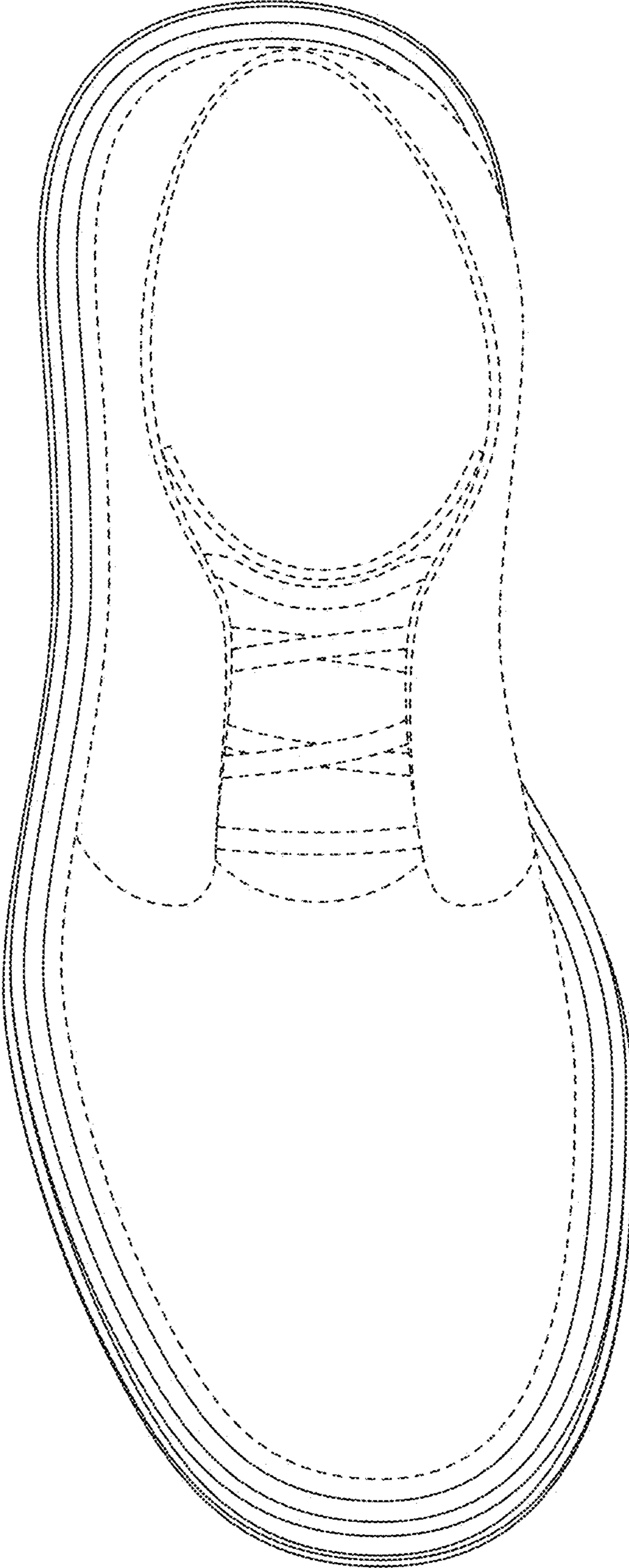


FIG. 6

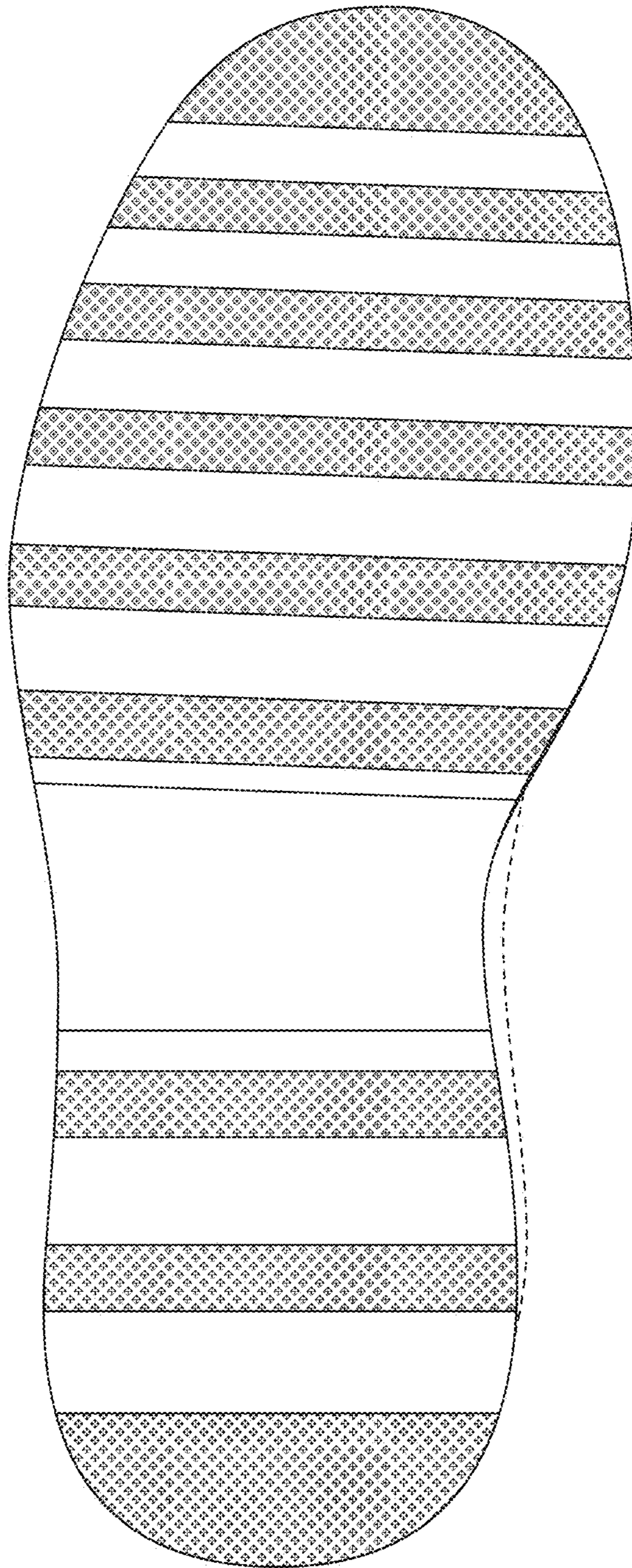


FIG. 7