



US00D684335S

(12) **United States Design Patent**  
**Dickinson et al.**

(10) **Patent No.:** **US D684,335 S**  
(45) **Date of Patent:** **\*\* Jun. 11, 2013**

(54) **FORKLIFT FORK TIP**  
(75) Inventors: **Bernard Charles Dickinson**, Burlington (CA); **Robert Power**, Burlington (CA); **David Roger Winger**, Kitchener (CA)  
(73) Assignee: **Cascade Corporation**, Portland, OR (US)  
(\*\*) Term: **14 Years**  
(21) Appl. No.: **29/408,519**  
(22) Filed: **Dec. 13, 2011**  
(51) **LOC (9) Cl.** ..... **12-05**  
(52) **U.S. Cl.**  
USPC ..... **D34/35**  
(58) **Field of Classification Search**  
USPC ..... D34/35, 34; 414/607, 785, 495; 187/237  
See application file for complete search history.

2008/0135341 A1\* 6/2008 Pollard ..... 187/237  
2010/0068023 A1 3/2010 Kuck et al.  
2012/0076624 A1\* 3/2012 Magoto ..... 414/495

**OTHER PUBLICATIONS**

Cascade Corporation, Fork Facts (book) Tip Locator Bars item on p. 50, Jan. 2011.

\* cited by examiner

*Primary Examiner* — Cynthia Ramirez

(74) *Attorney, Agent, or Firm* — Chernoff, Vilhauer, McClung & Stenzel, LLP

(57) **CLAIM**

The ornamental design for a forklift fork tip, as shown and described.

**DESCRIPTION**

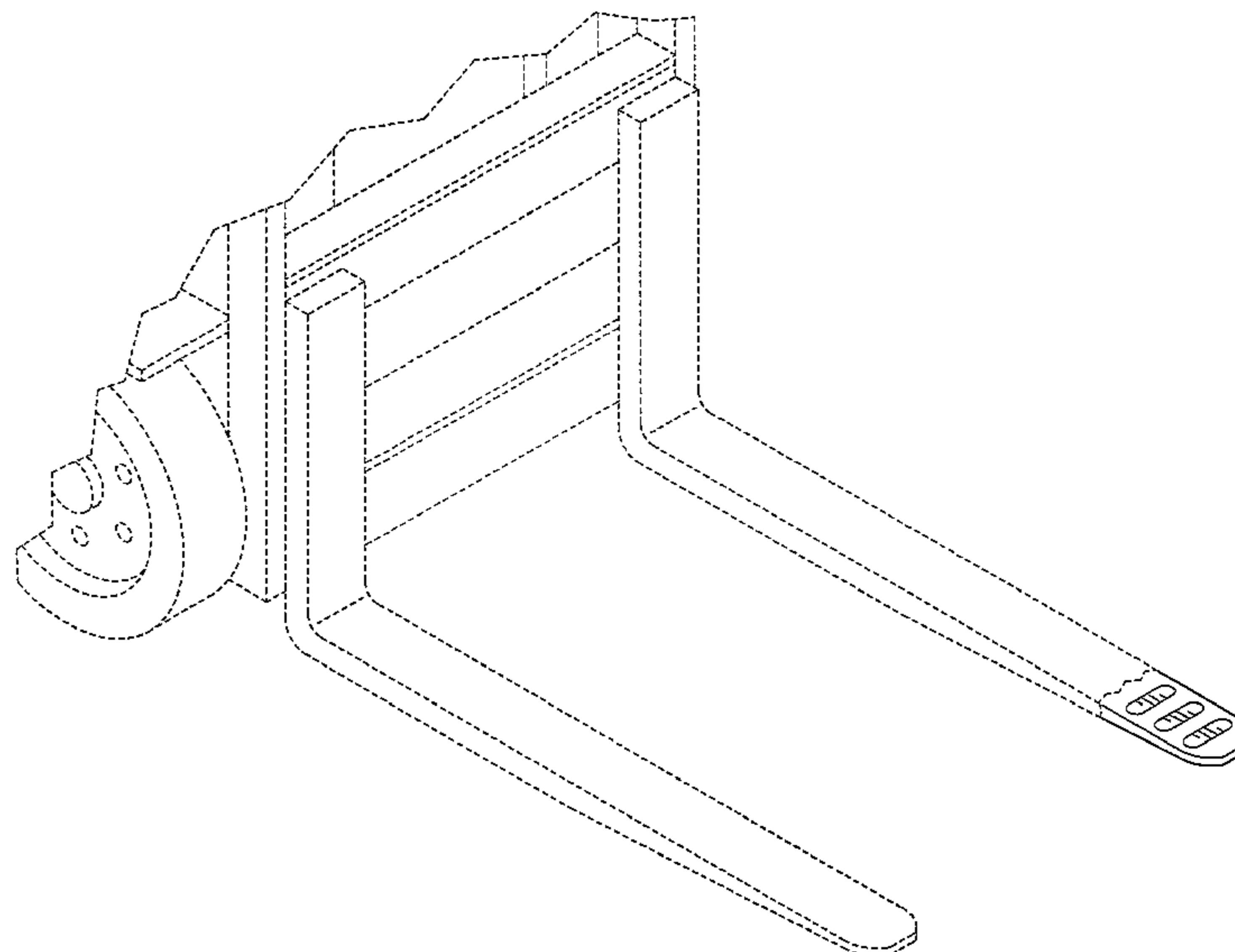
FIG. 1 is an illustrative isometric view of a portion of a forklift truck, including a forklift fork tip including our new design; FIG. 2 is an isometric view, at an enlarged scale, of the forklift fork tip shown in FIG. 1; FIG. 3 is a top plan view of the forklift fork tip shown in FIG. 2; FIG. 4 is a side view thereof, with the opposite side view being a mirror image thereof; FIG. 5 is bottom plan view thereof; and, FIG. 6 is front end view thereof. Portions of a forklift truck and portions of the forklift forks are shown in broken line in the drawing views and are included merely for illustrative purposes and form no part of the claimed design. The broken lines immediately adjacent to the shaded areas of the drawing views represent unclaimed boundaries of the design. The shading in the drawing views is intended to denote that the oblong outlined areas contrast visibly to the surrounding surfaces.

**1 Claim, 2 Drawing Sheets**

(56) **References Cited**

**U.S. PATENT DOCUMENTS**

4,290,729	A *	9/1981	Cary	414/607
5,221,176	A *	6/1993	Allen et al.	414/785
5,575,608	A *	11/1996	Yau et al.	414/607
D427,409	S *	6/2000	Sato et al.	D34/34
D461,942	S	8/2002	Gallagher	
D464,785	S	10/2002	Gallagher	
6,471,465	B2 *	10/2002	Albertyn	414/785
D492,833	S *	7/2004	Henshaw et al.	D34/34
D526,460	S *	8/2006	Goto et al.	D34/34
D548,923	S *	8/2007	Niebuhr	D34/34
D571,073	S	6/2008	Buchmann et al.	
D587,425	S *	2/2009	Mori et al.	D34/34
D608,074	S *	1/2010	Berger et al.	D34/34
D612,563	S *	3/2010	Stark	D34/34
D651,783	S *	1/2012	Shibata et al.	D34/35
D652,194	S *	1/2012	Shibata et al.	D34/34
2003/0235489	A1 *	12/2003	Hoff	414/607
2004/0161327	A1 *	8/2004	Paxton et al.	414/785
2005/0129494	A1 *	6/2005	Chandler et al.	414/607
2007/0116547	A1 *	5/2007	Bulkeley	414/607



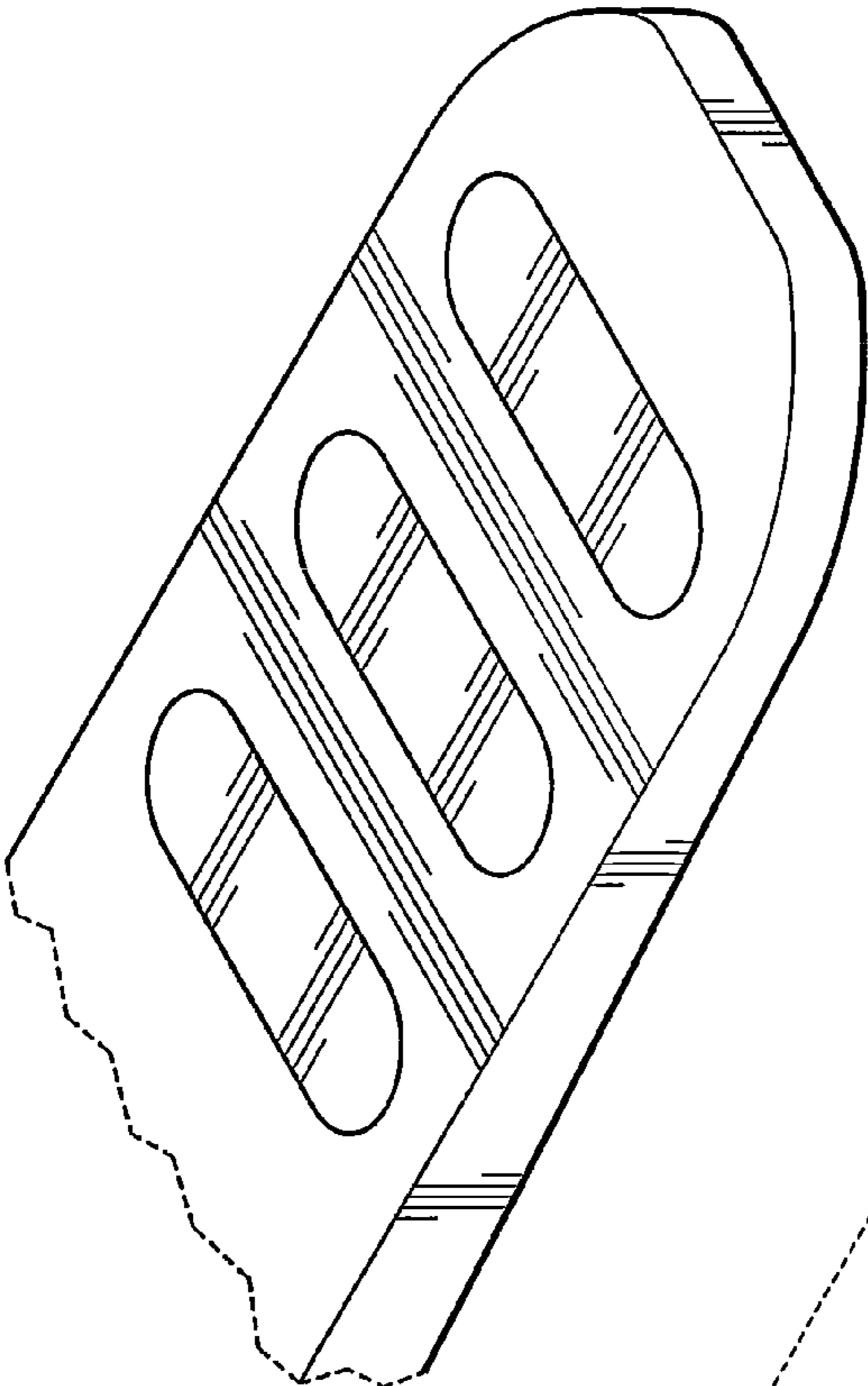


FIG. 2

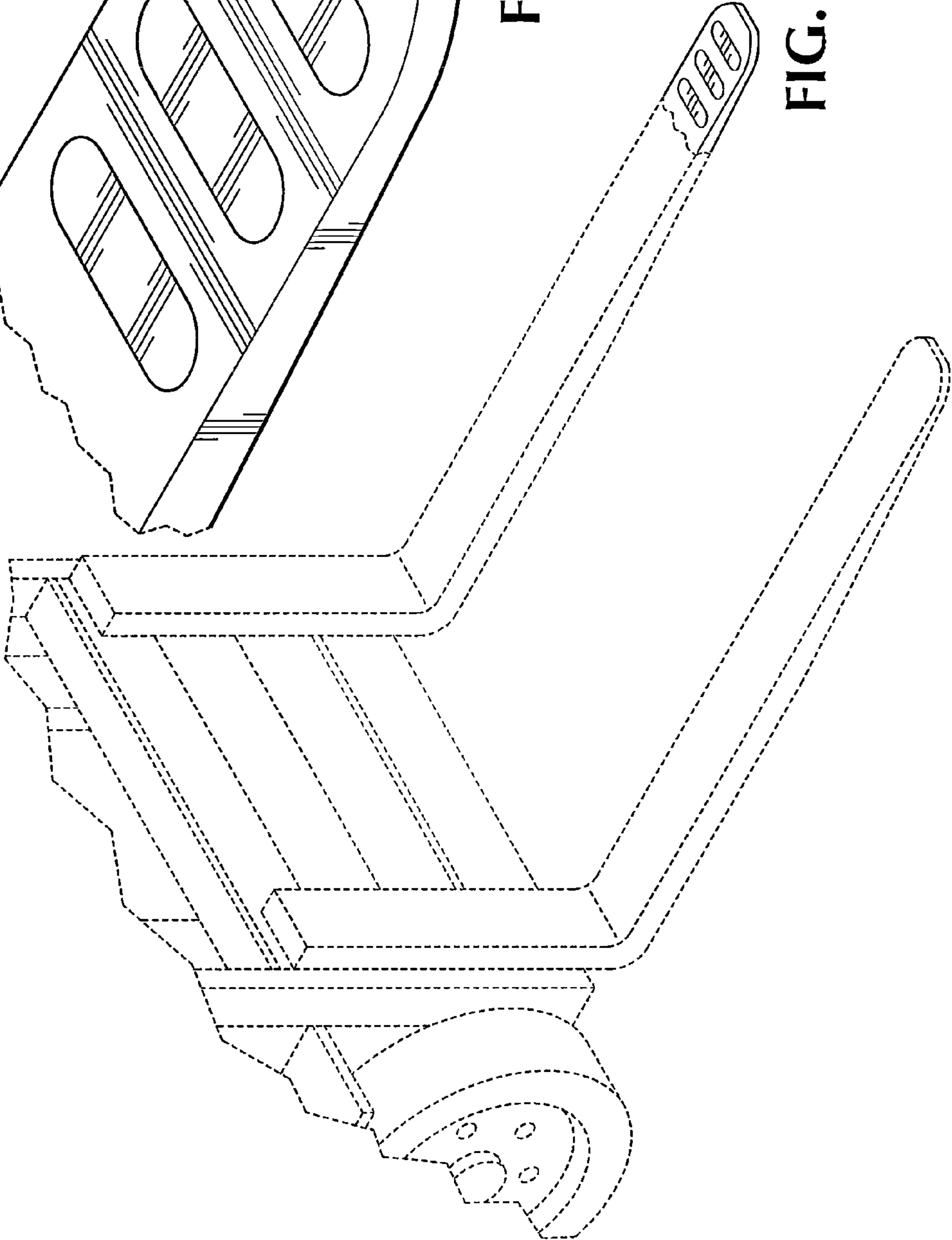


FIG. 1

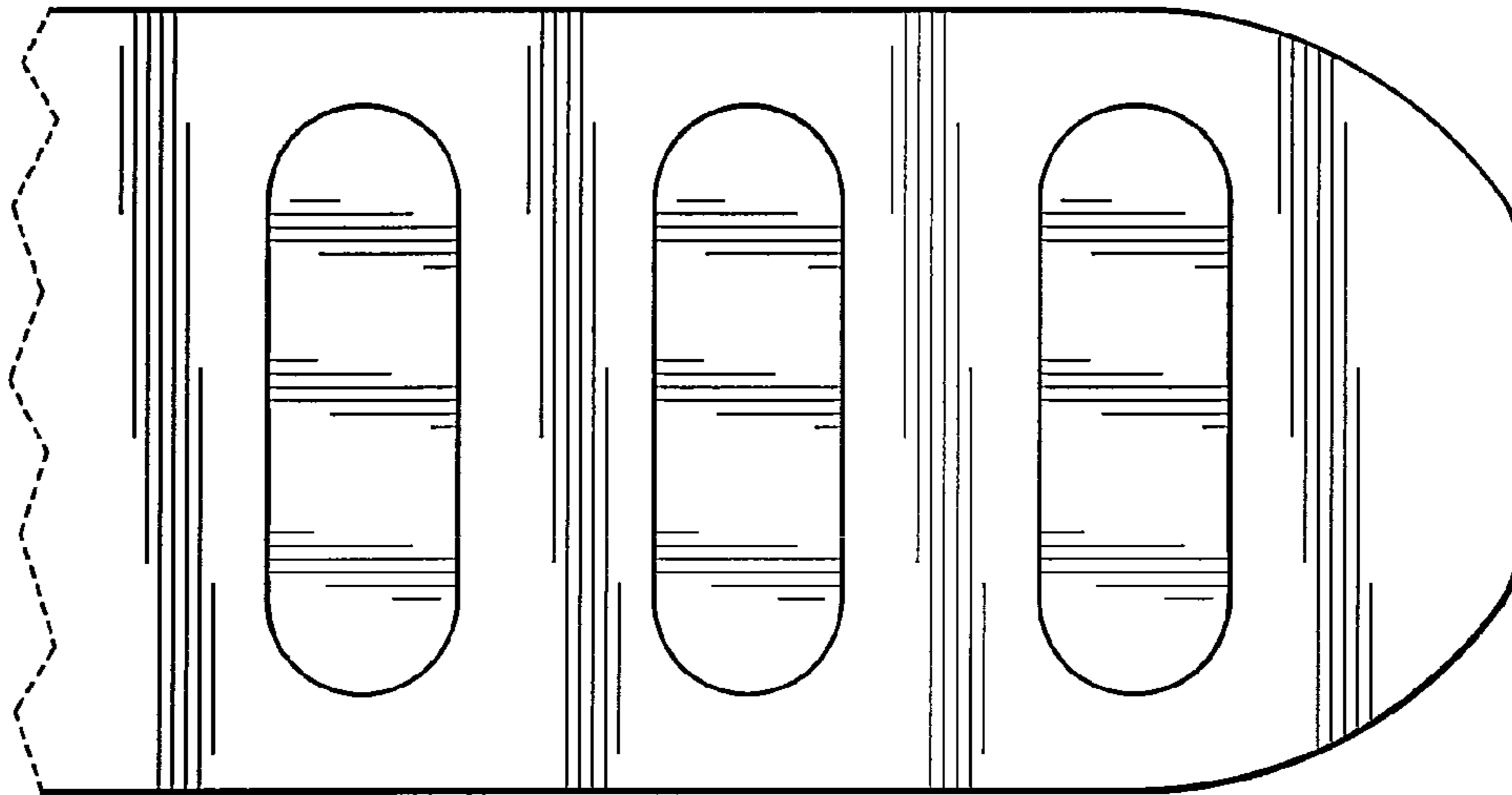


FIG. 3

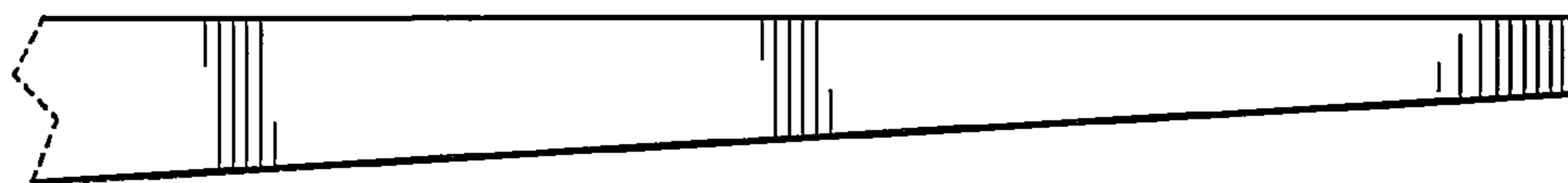


FIG. 4

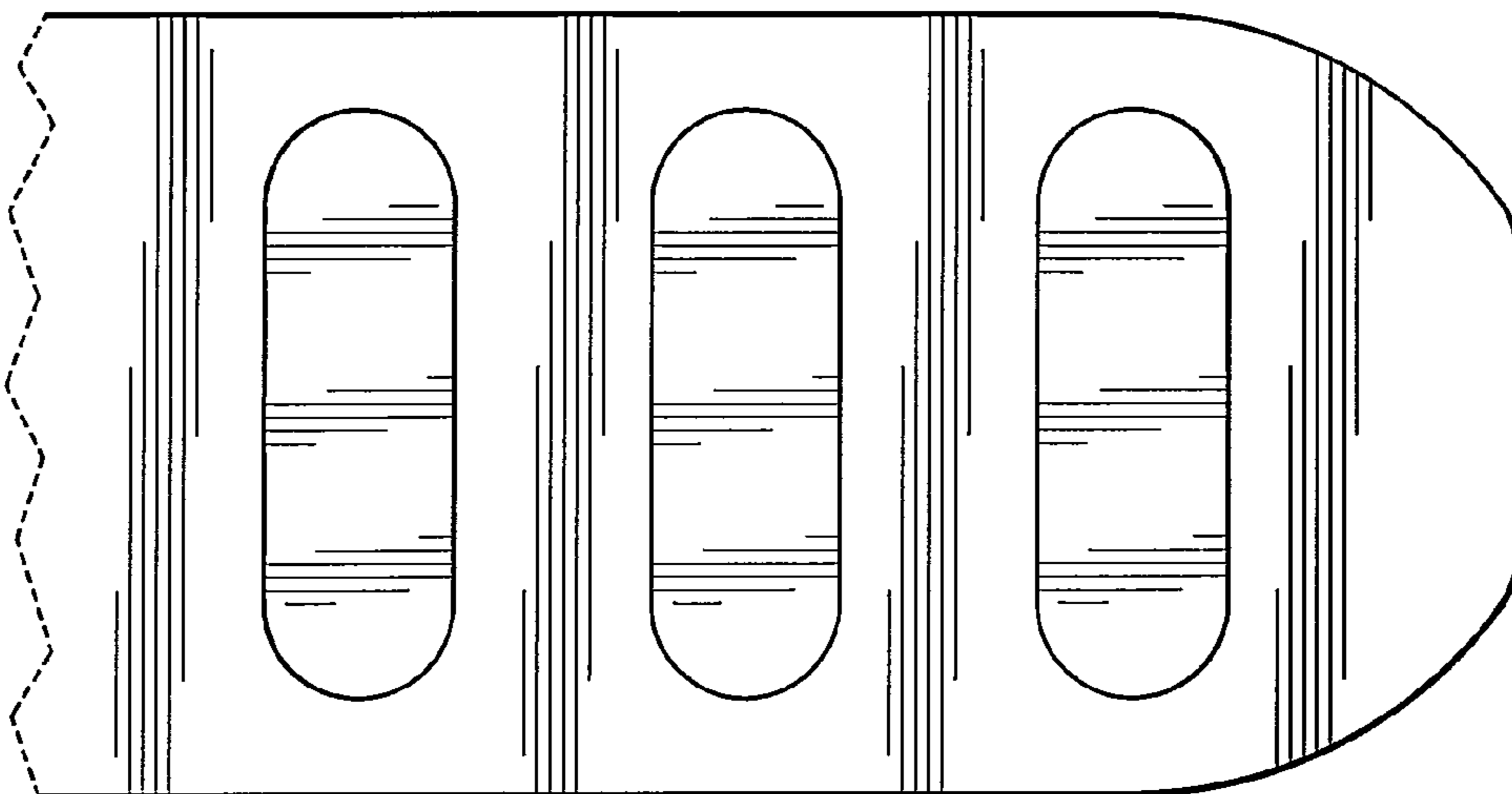


FIG. 5

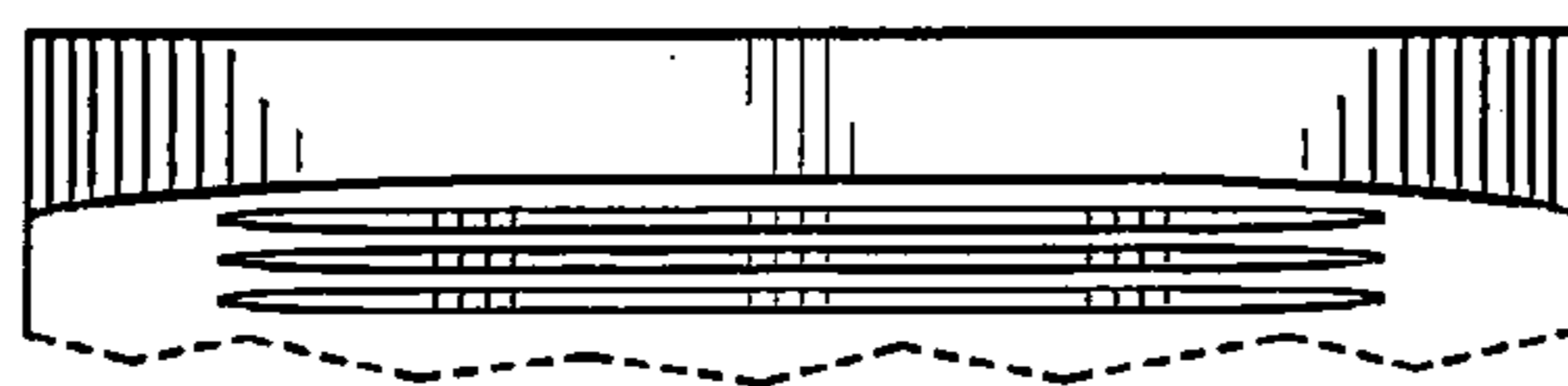


FIG. 6