



US00D684333S

(12) **United States Design Patent**
Knie

(10) **Patent No.:** **US D684,333 S**
(45) **Date of Patent:** **** Jun. 11, 2013**

(54) **FORK LIFT TRUCK**

(56) **References Cited**

(75) Inventor: **Andreas Knie**, Hamburg (DE)

U.S. PATENT DOCUMENTS

(73) Assignee: **Jungheinrich Aktiengesellschaft**,
Hamburg (DE)

D405,150	S	*	2/1999	Magaline	D22/126
6,137,398	A	*	10/2000	Dunlap et al.	340/439
6,182,778	B1	*	2/2001	Henshaw et al.	180/89.12
6,182,797	B1	*	2/2001	Tebbe et al.	187/227
D440,855	S	*	4/2001	Wang	D8/97
6,236,927	B1	*	5/2001	Sherman	701/70
D471,339	S	*	3/2003	Mori	D34/34
D529,621	S	*	10/2006	Roberts	D24/229
D585,623	S	*	1/2009	Quinlan et al.	D34/34
D605,374	S	*	12/2009	Nishikawa et al.	D34/34

(**) Term: **14 Years**

(21) Appl. No.: **29/405,150**

(22) Filed: **Oct. 28, 2011**

* cited by examiner

(30) **Foreign Application Priority Data**

Primary Examiner — Cynthia Ramirez

Apr. 28, 2011	(DE)	001286009-0001
Apr. 28, 2011	(DE)	001856725-0001
Apr. 28, 2011	(DE)	001856725-0004
Apr. 28, 2011	(DE)	001856725-0005
Apr. 28, 2011	(DE)	001856725-0006
Apr. 28, 2011	(DE)	001856725-0011
Apr. 28, 2011	(DE)	001856725-0014

(74) *Attorney, Agent, or Firm* — Vidas, Arrett & Steinkraus

(51) **LOC (9) Cl.** **12-05**

(57) **CLAIM**

(52) **U.S. Cl.**
USPC **D34/34**

The ornamental design for a fork lift truck, as shown and described.

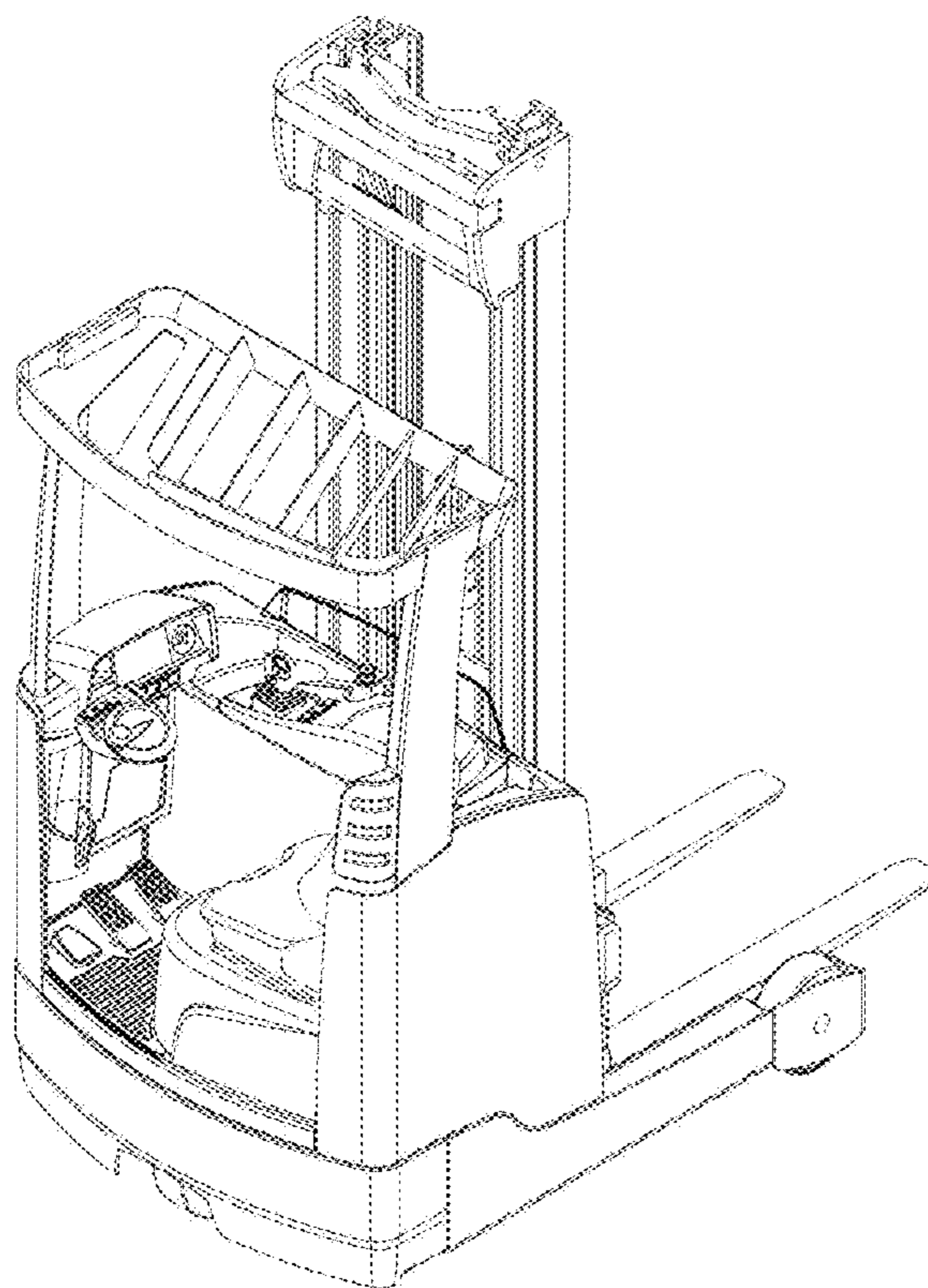
(58) **Field of Classification Search**
USPC D34/34; 187/222, 234, 226, 238; 414/631,
414/575, 592; 180/89.12, 89.13, 89.17

DESCRIPTION

FIG. 1 is a perspective view of a fork lift truck showing my new design;
FIG. 2 is a right side elevational view thereof;
FIG. 3 is a left side elevational view thereof;
FIG. 4 is a front view thereof;
FIG. 5 is a rear view thereof;
FIG. 6 is a top view thereof; and,
FIG. 7 is a bottom view thereof.

See application file for complete search history.

1 Claim, 7 Drawing Sheets



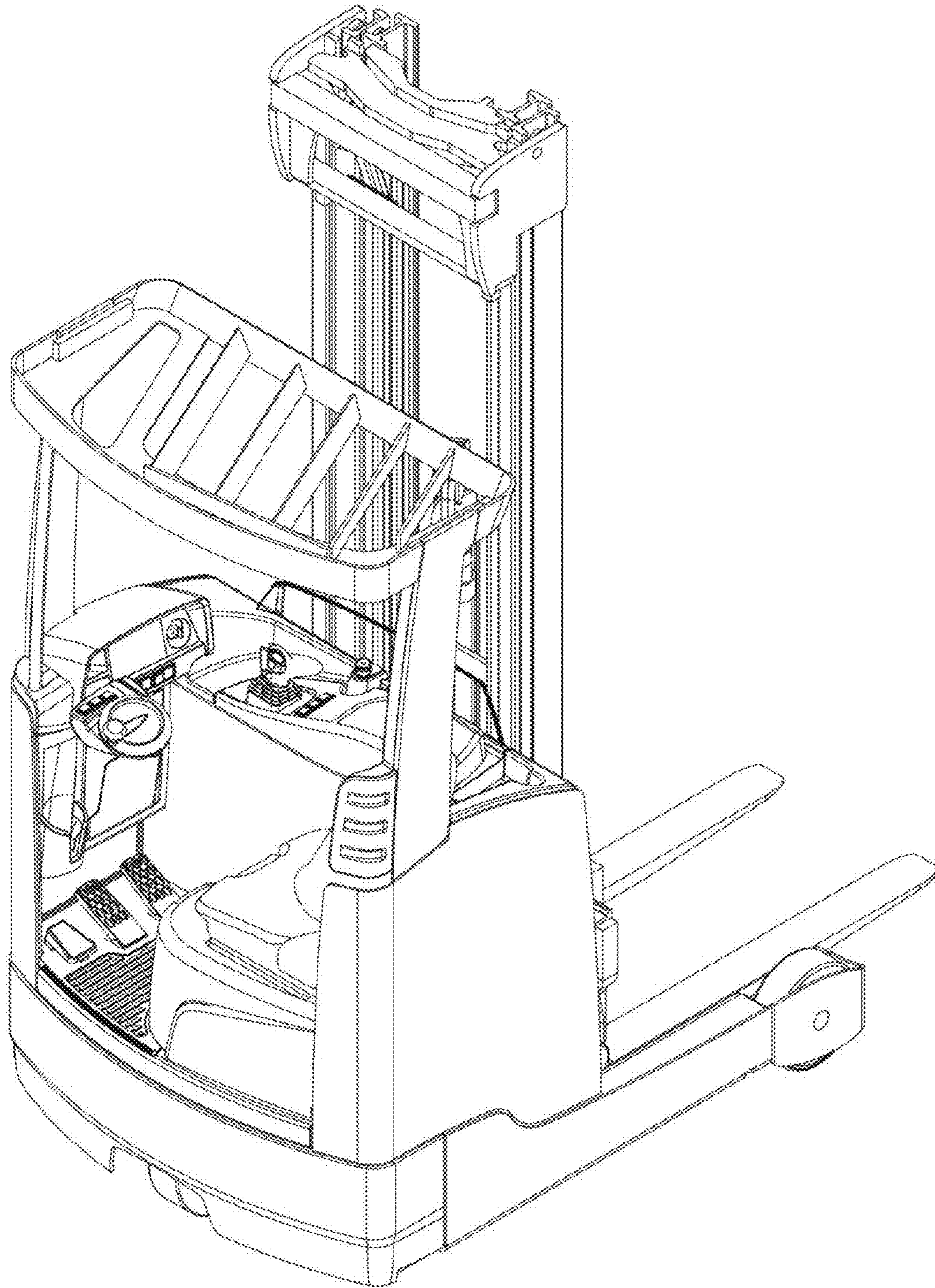


Figure 1

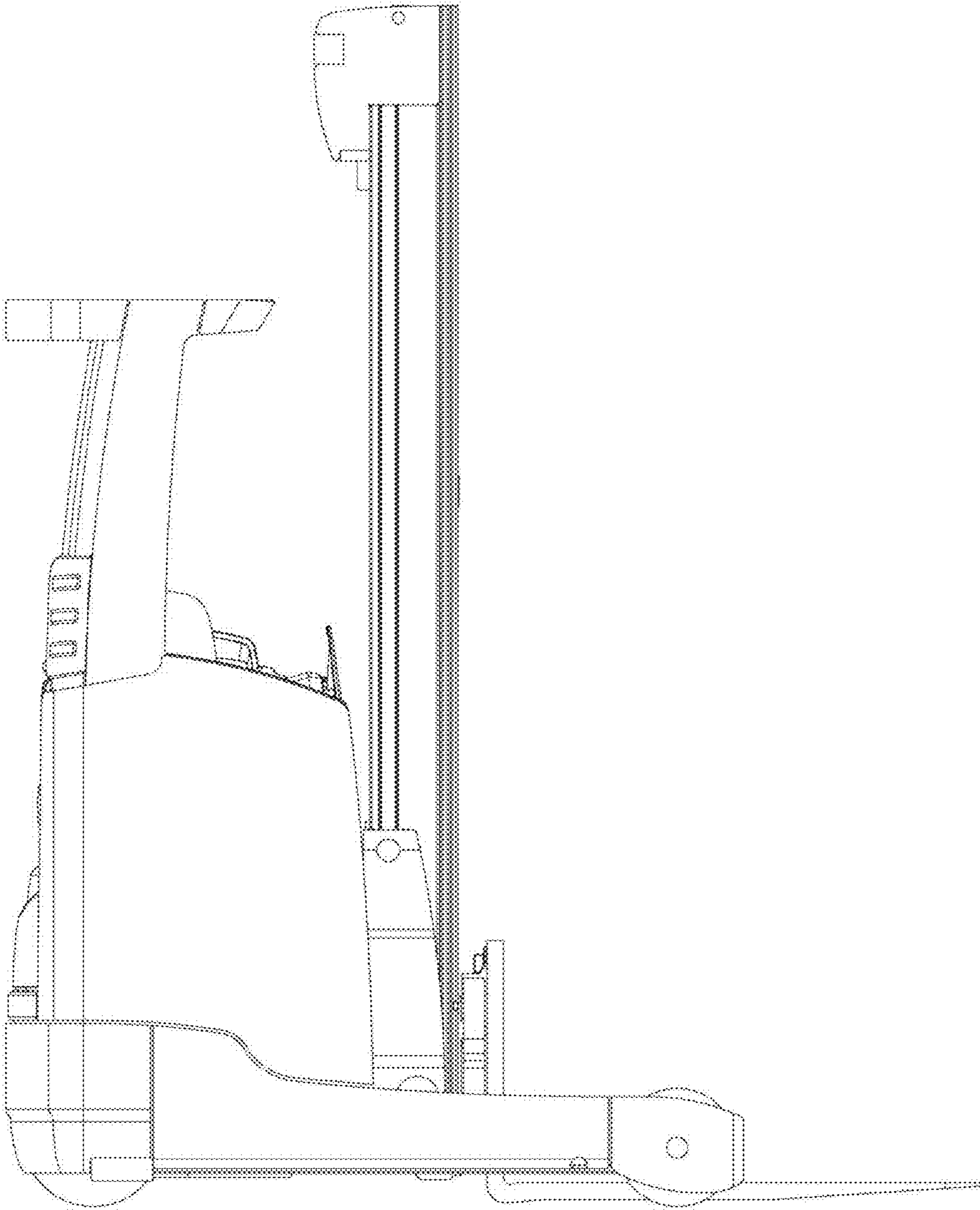


Figure 2

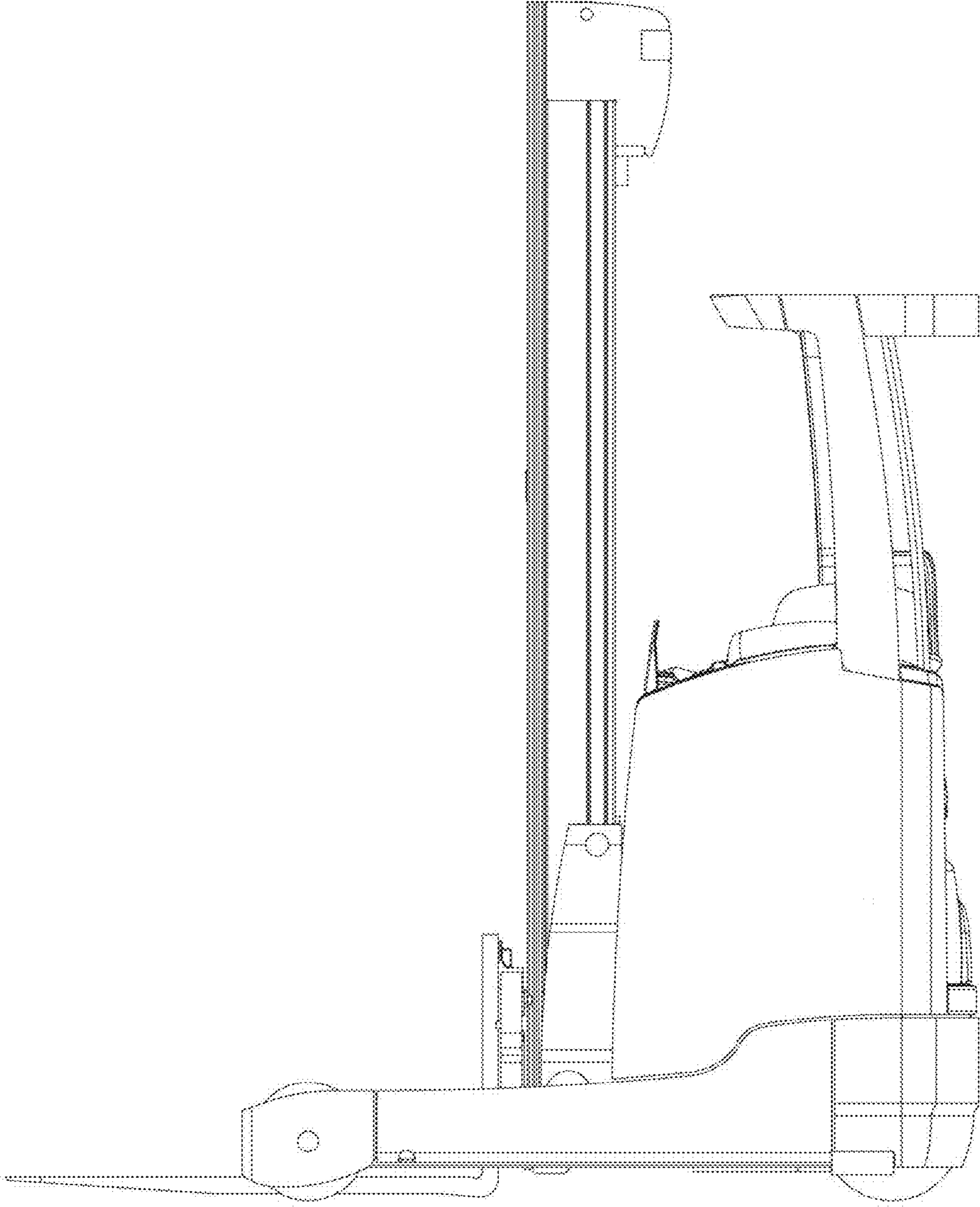


Figure 3

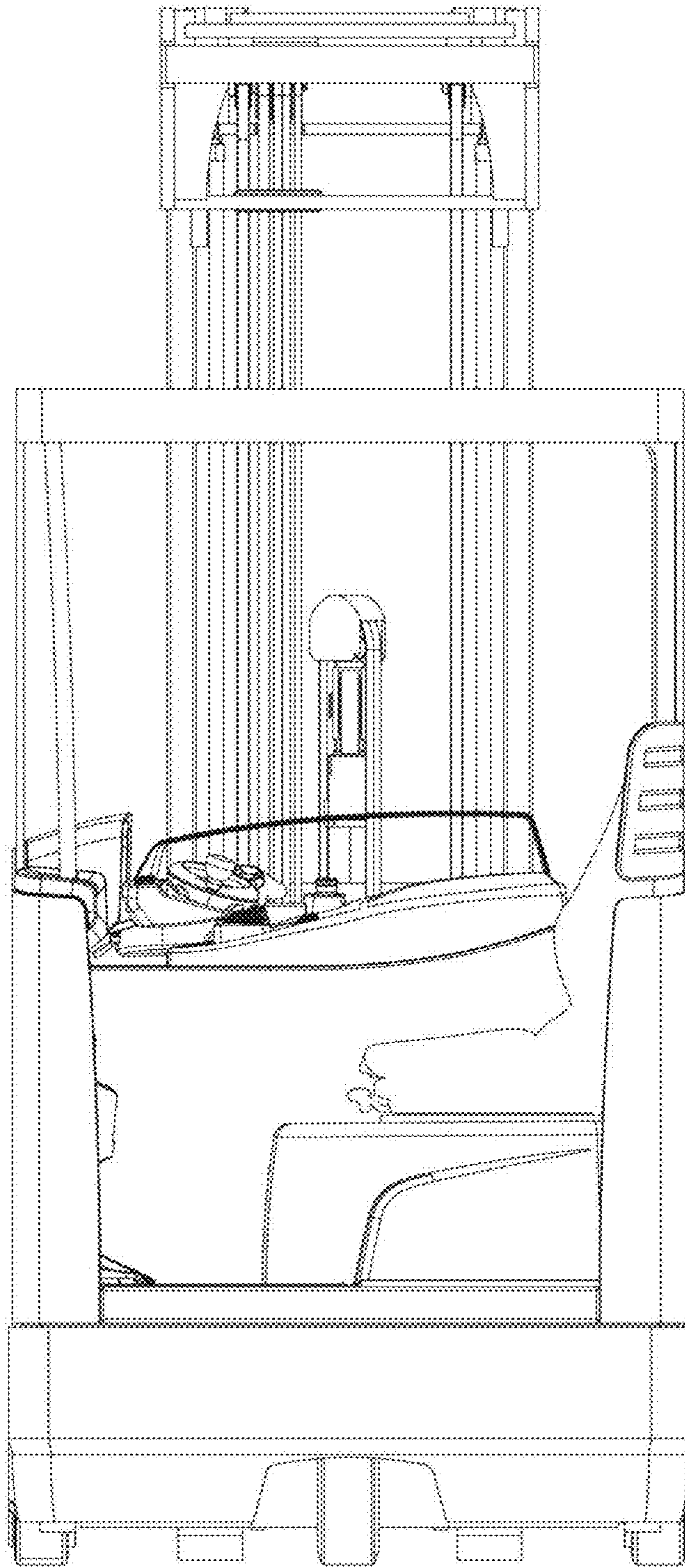


Figure 4

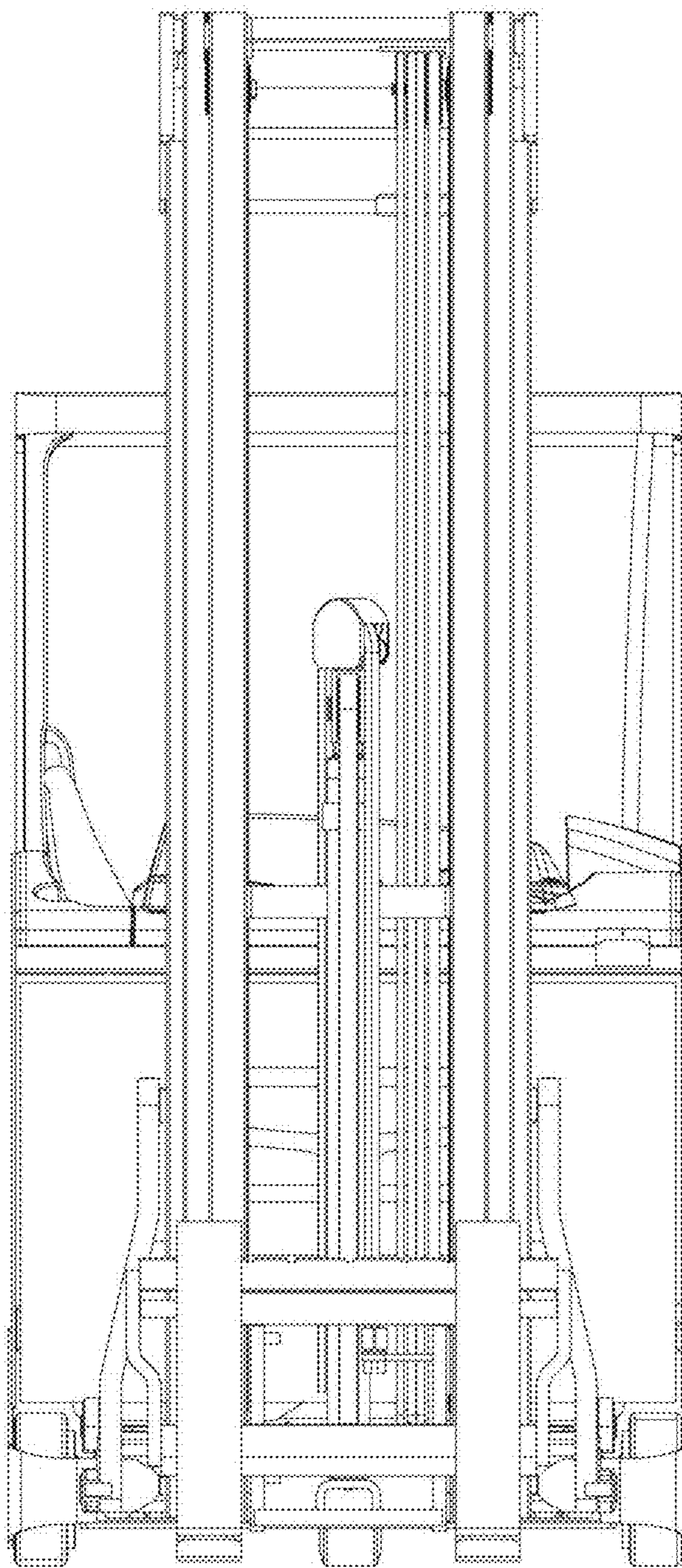


Figure 5

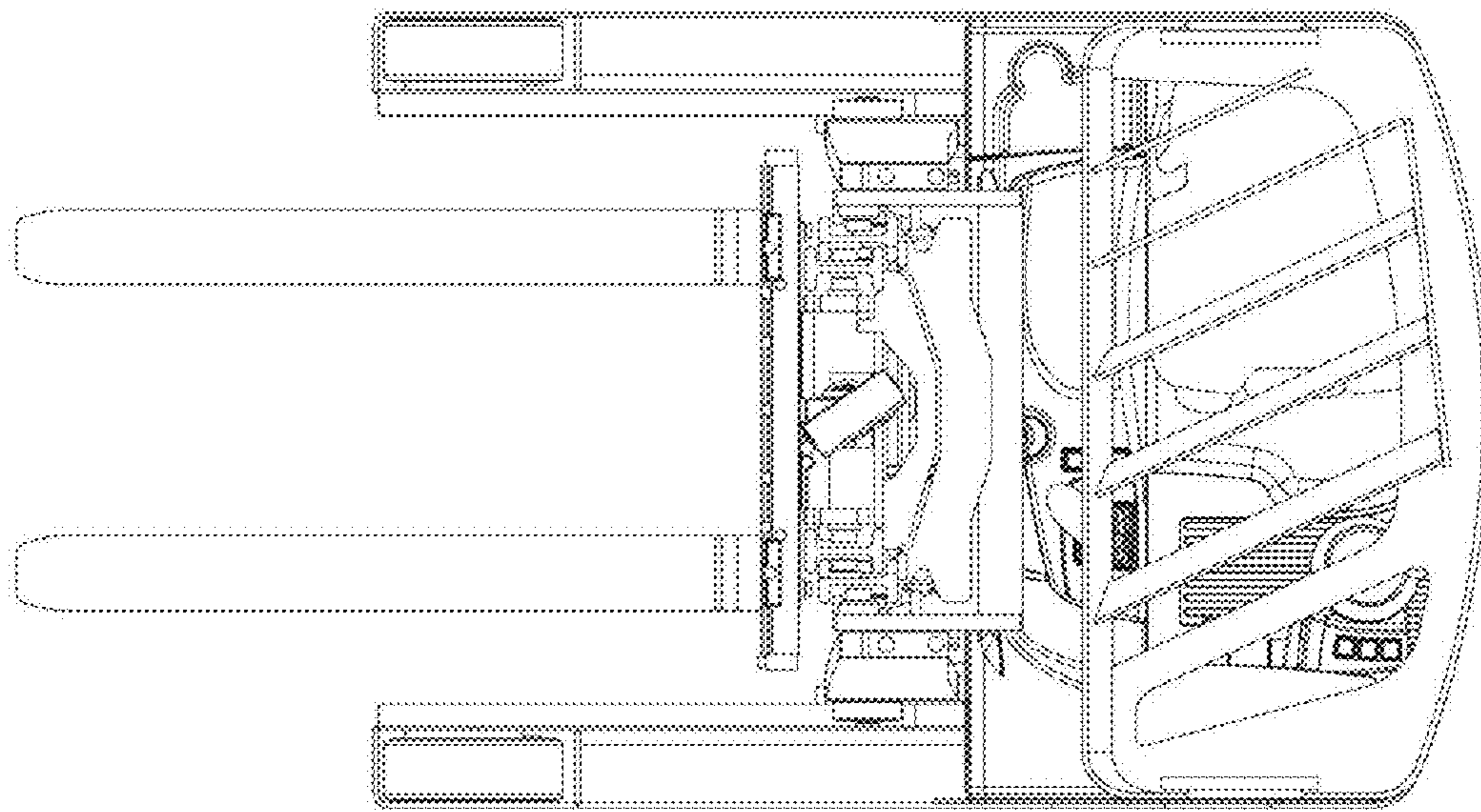


Figure 6

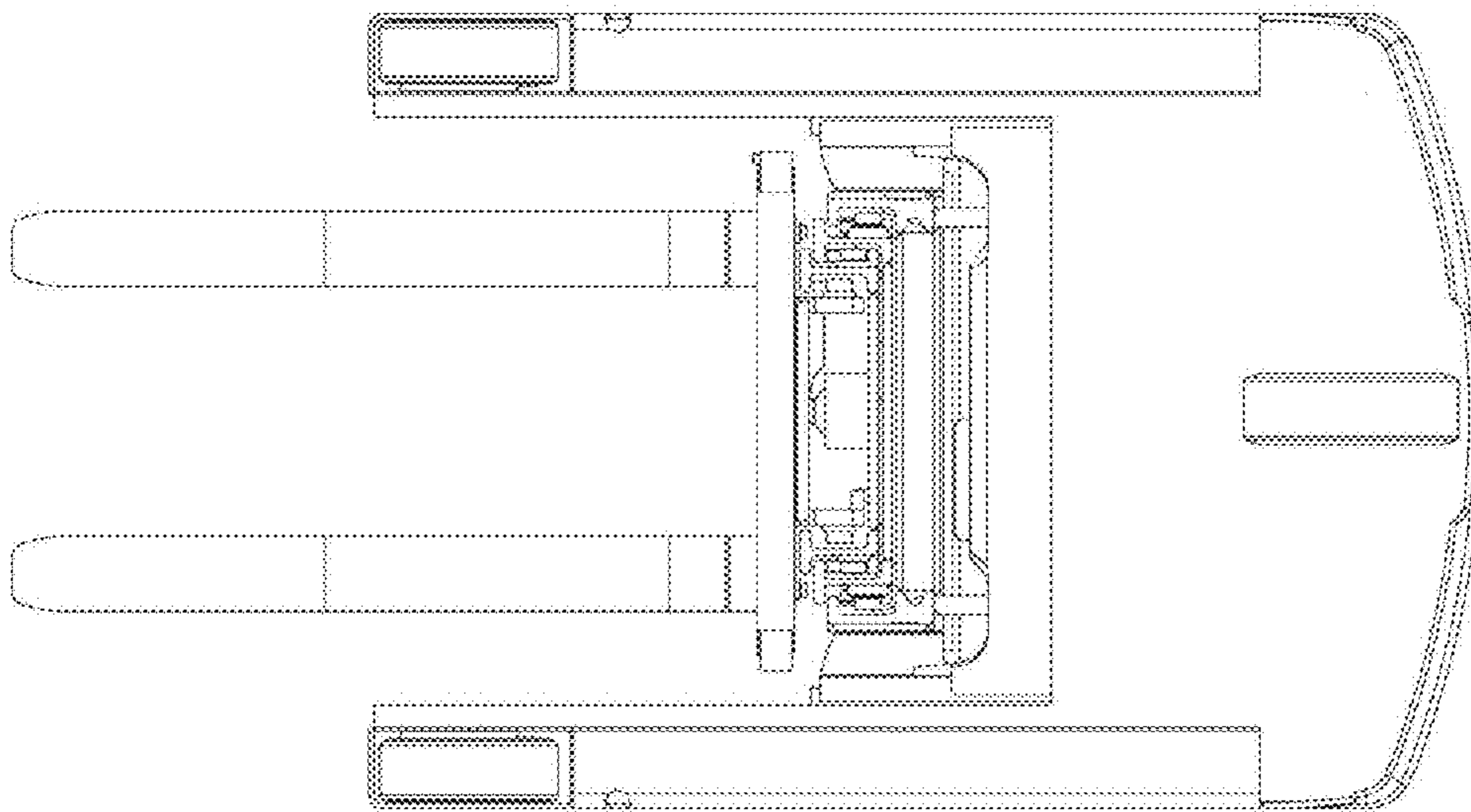


Figure 7