



US00D684331S

(12) **United States Design Patent**
Vasilakes et al.

(10) **Patent No.:** **US D684,331 S**

(45) **Date of Patent:** **** Jun. 11, 2013**

(54) **DUSTPAN**

(75) Inventors: **Lloyd S. Vasilakes**, Stillwater, MN (US);
Qian Zheng Zhou, Shanghai (CN);
Giuseppe De Bellis, Milanese (IT);
Lizabeth W. Dretzka, Woodbury, MN
(US); **Valentina Tronconi**, Milan (IT);
Monica Jerez, Woodbury, MN (US);
Adel M. Kassem Llano, Milan (IT)

(73) Assignee: **3M Innovative Properties Company**,
St. Paul, MN (US)

(**) Term: **14 Years**

(21) Appl. No.: **29/425,731**

(22) Filed: **Jun. 26, 2012**
(Under 37 CFR 1.47)

(51) **LOC (9) Cl.** **07-05**

(52) **U.S. Cl.**
USPC **D32/74**

(58) **Field of Classification Search**
USPC D32/74, 41; D30/162; D7/691, 688; D4/116;
15/257.5, 257.3, 257.2, 257.1; 134/6
See application file for complete search history.

(56) **References Cited**

U.S. PATENT DOCUMENTS

D426,353 S * 6/2000 Renforth D30/162
7,047,907 B1 * 5/2006 Johnston 119/867

D602,214 S * 10/2009 Petersen D30/162
D602,657 S * 10/2009 Petersen D30/162
D643,985 S * 8/2011 Dedrick D32/74
D673,340 S * 12/2012 Dobson, III D32/74

* cited by examiner

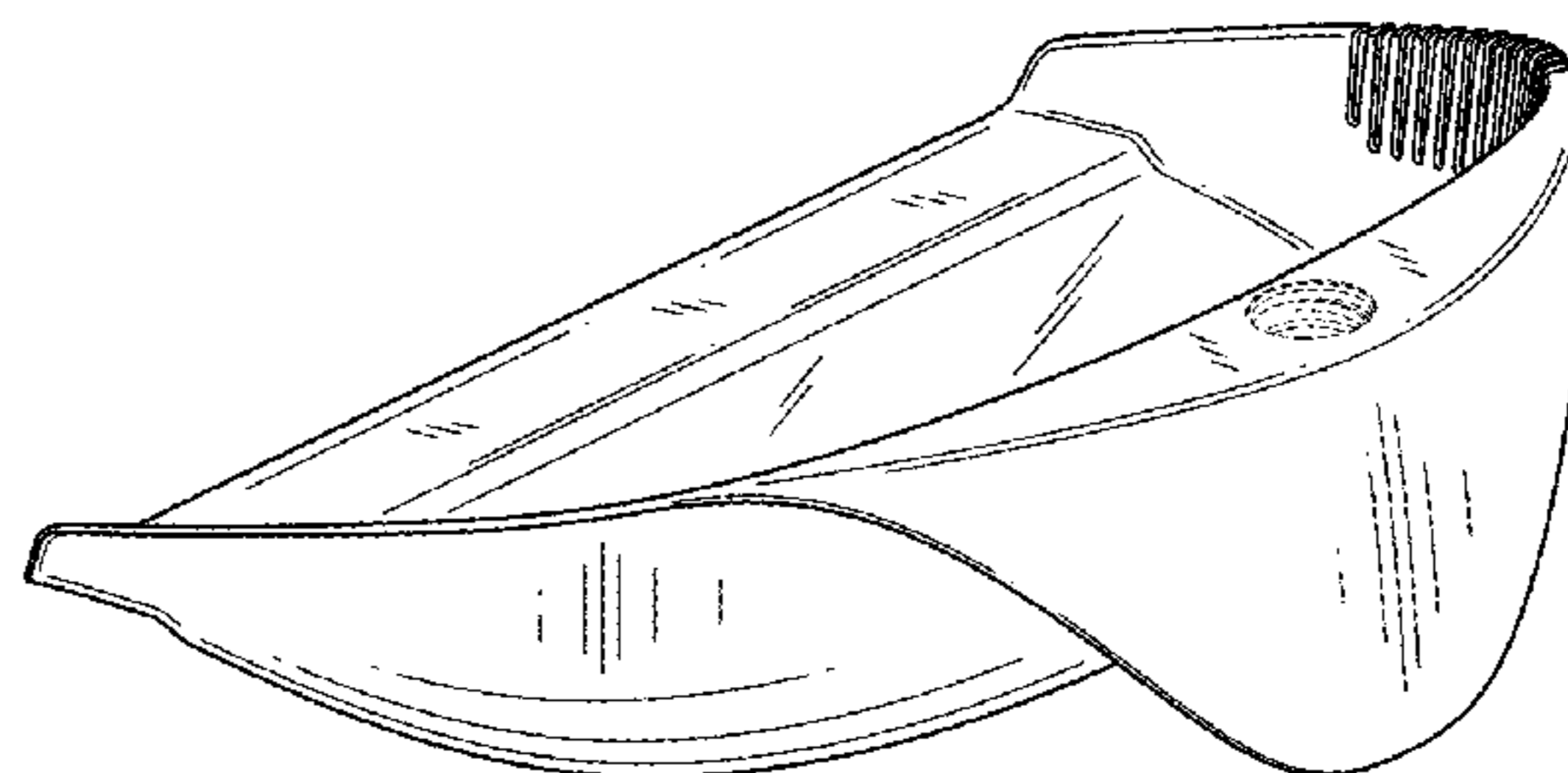
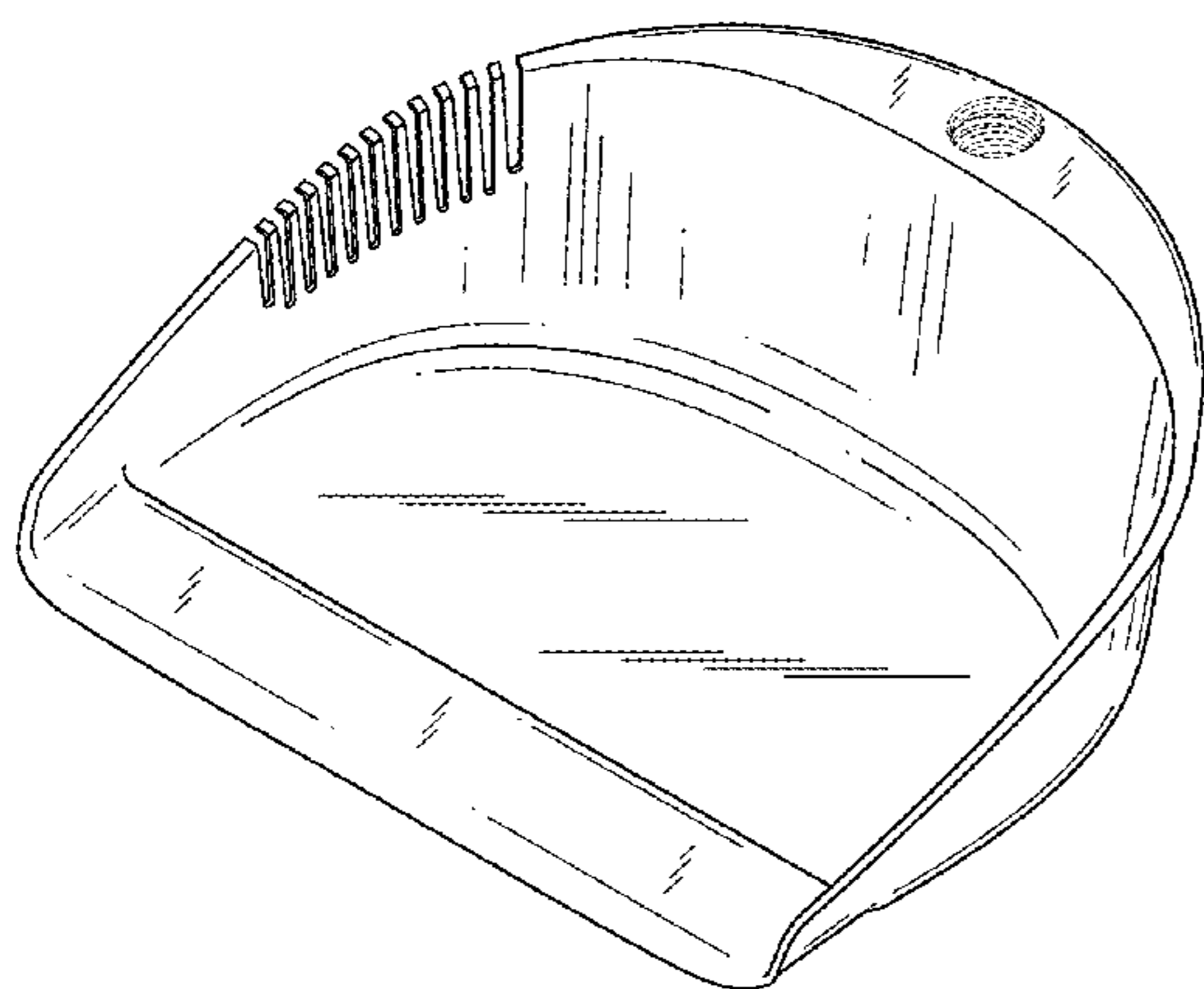
Primary Examiner — Austin Murphy
(74) *Attorney, Agent, or Firm* — Irina Hass

(57) **CLAIM**
The ornamental design for a dustpan, as shown and described.

DESCRIPTION

FIG. 1 is a front perspective view of the new design for a dustpan;
FIG. 2 is a rear perspective view thereof;
FIG. 3 is a top view thereof;
FIG. 4 is a bottom view thereof;
FIG. 5 is a front view thereof;
FIG. 6 is a rear view thereof;
FIG. 7 is a right side view thereof;
FIG. 8 is a left side view thereof; and,
FIG. 9 is a perspective view thereof showing the dustpan with a long handle.
The broken lines in the drawings are shown for illustrative purposes only and form no part of the claimed design. In addition, the surface shading illustrated in the drawings is provided merely to highlight the contour of design; it is not intended to be illustrative of texture or gloss.

1 Claim, 5 Drawing Sheets



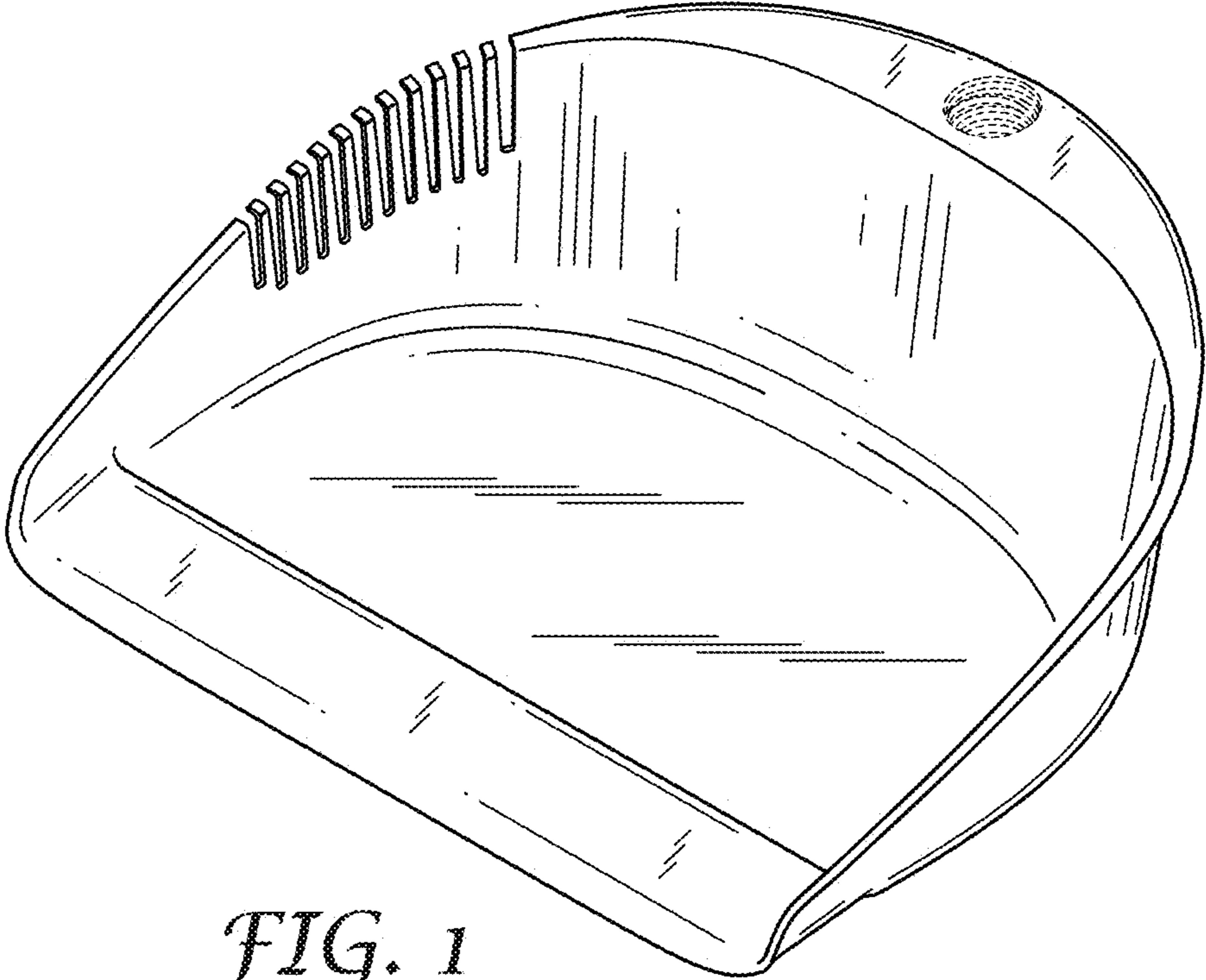


FIG. 1

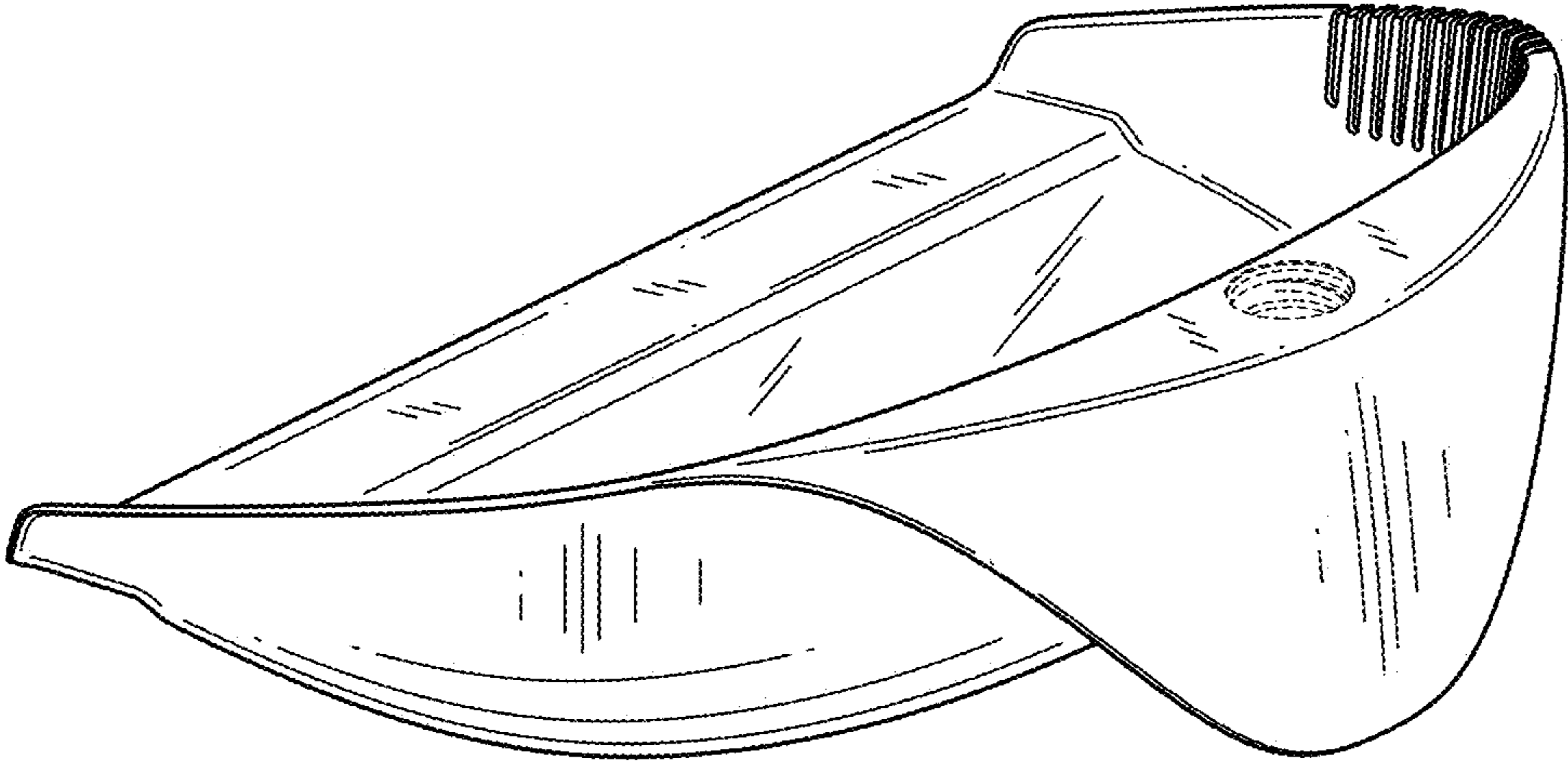


FIG. 2

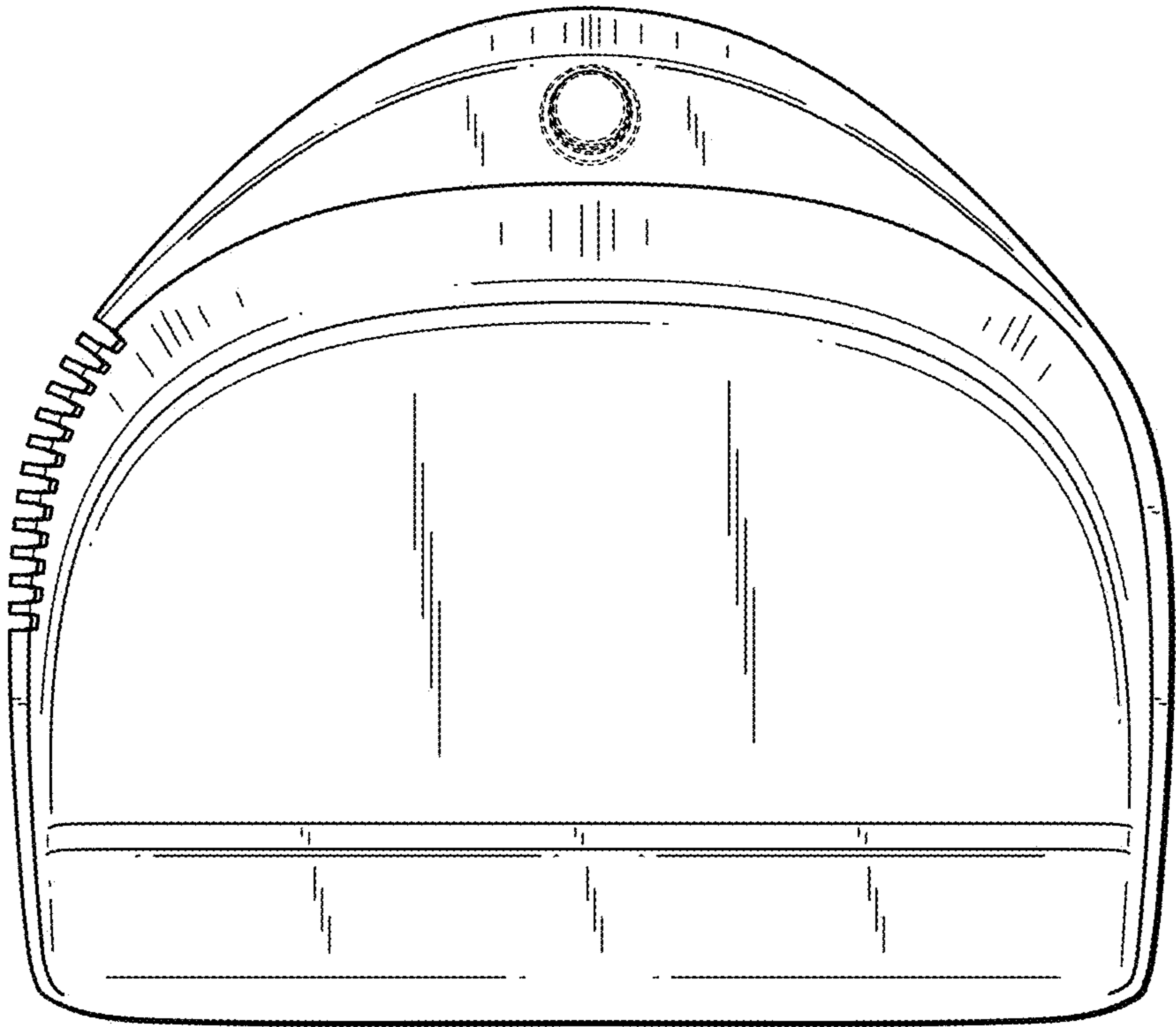


FIG. 3

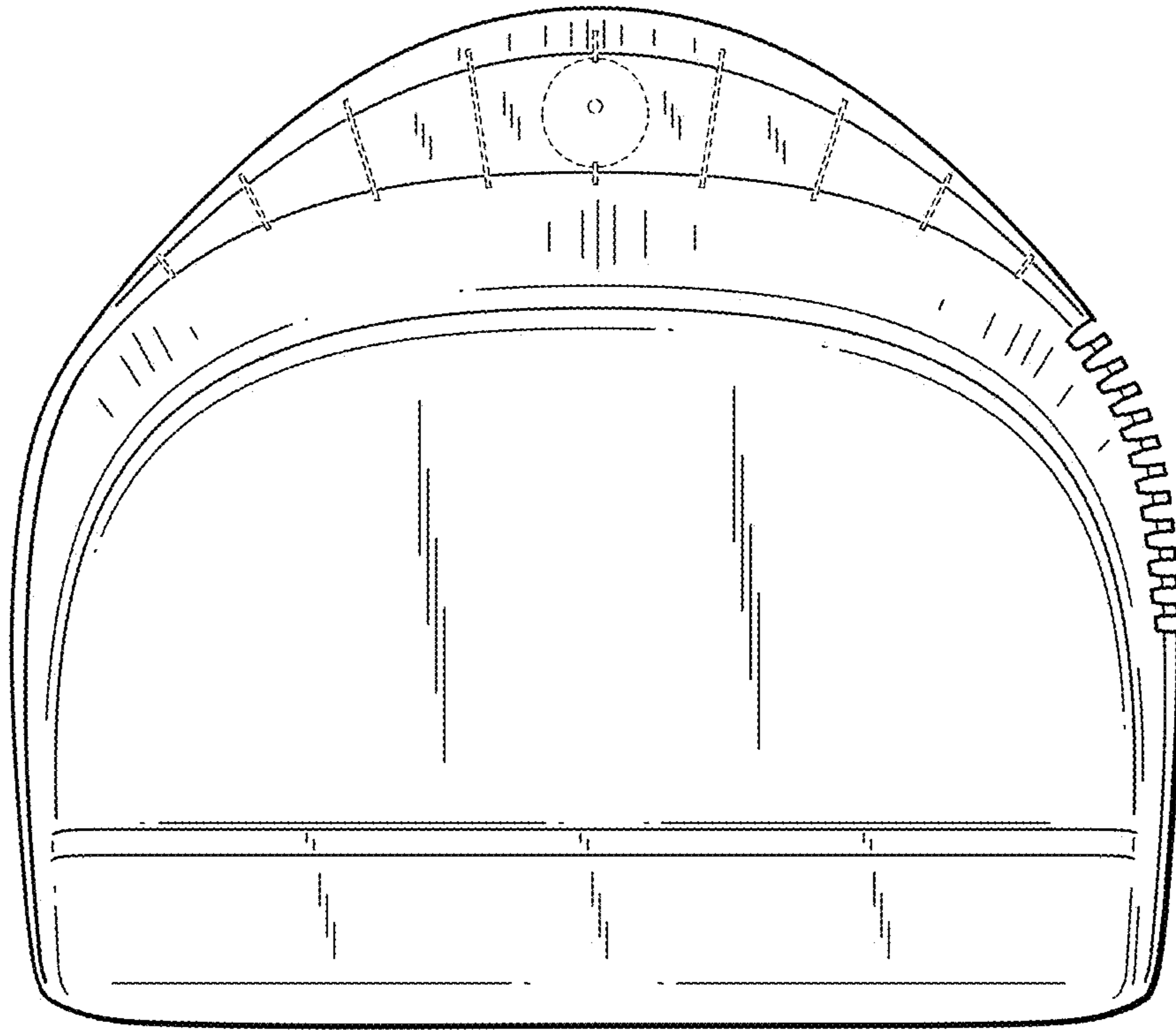


FIG. 4

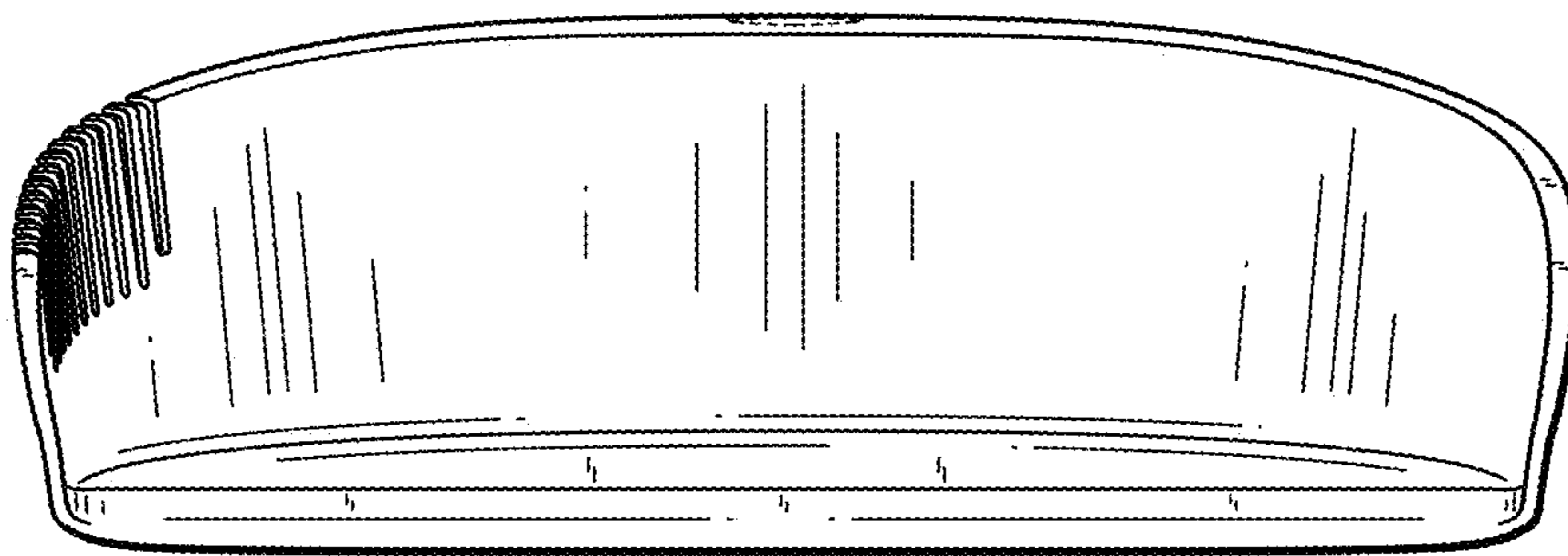


FIG. 5

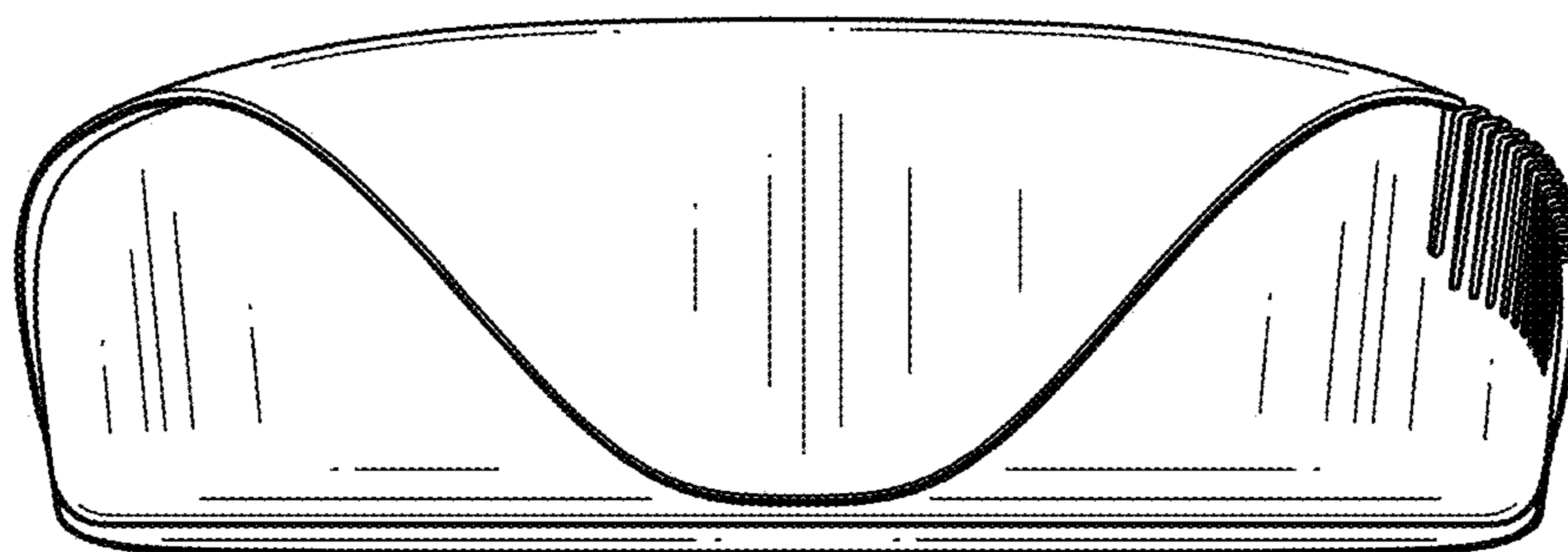


FIG. 6

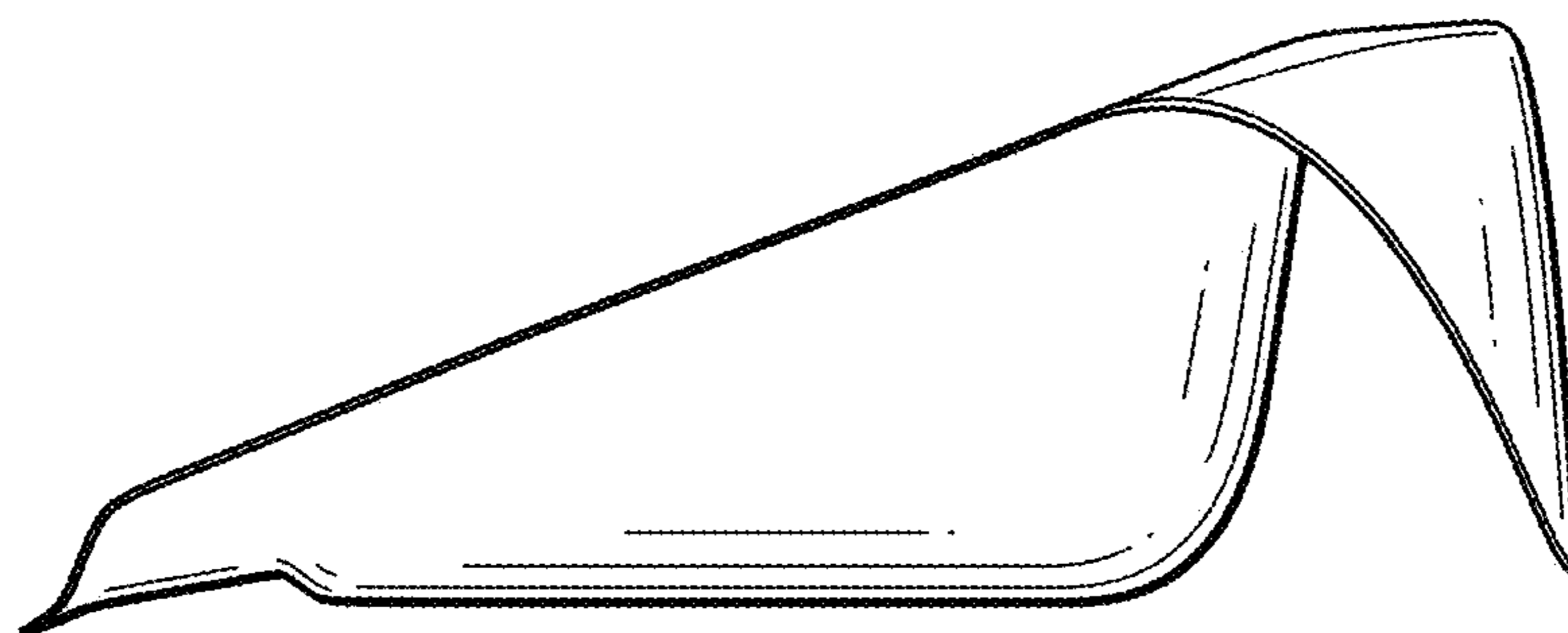


FIG. 7

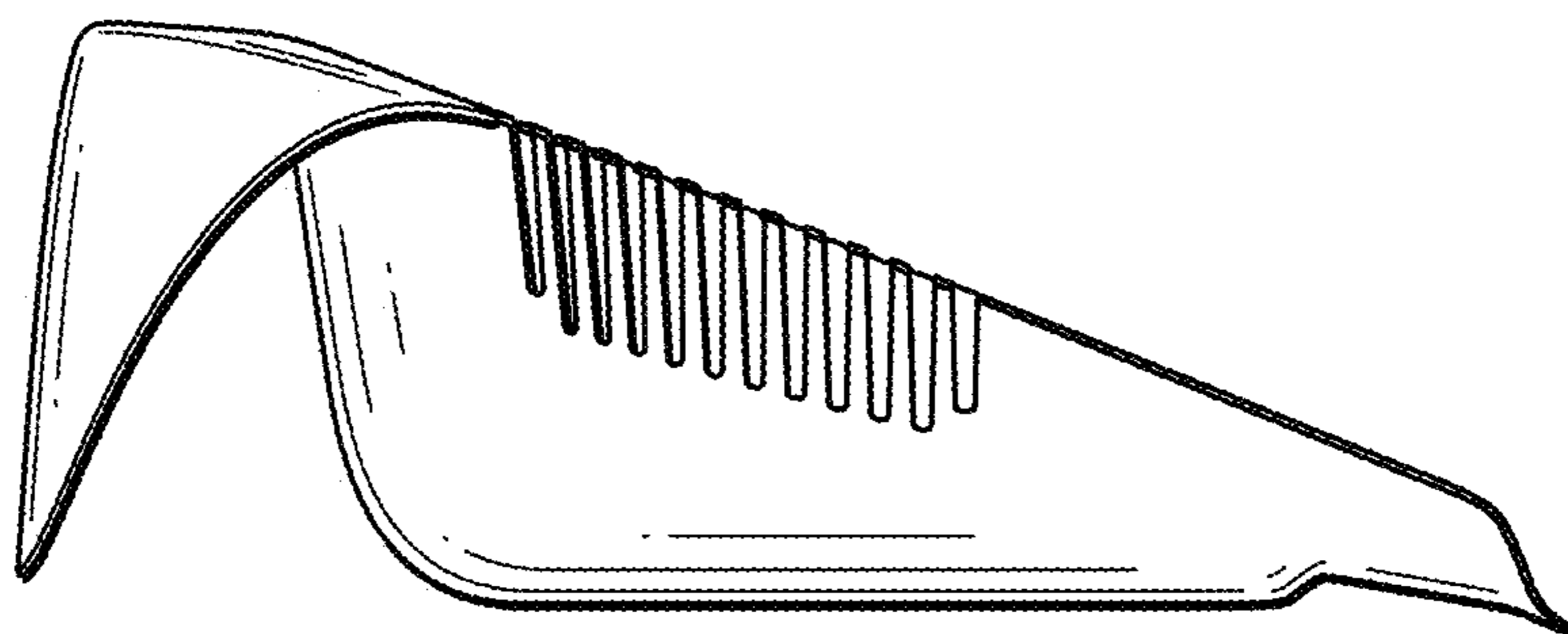


FIG. 8

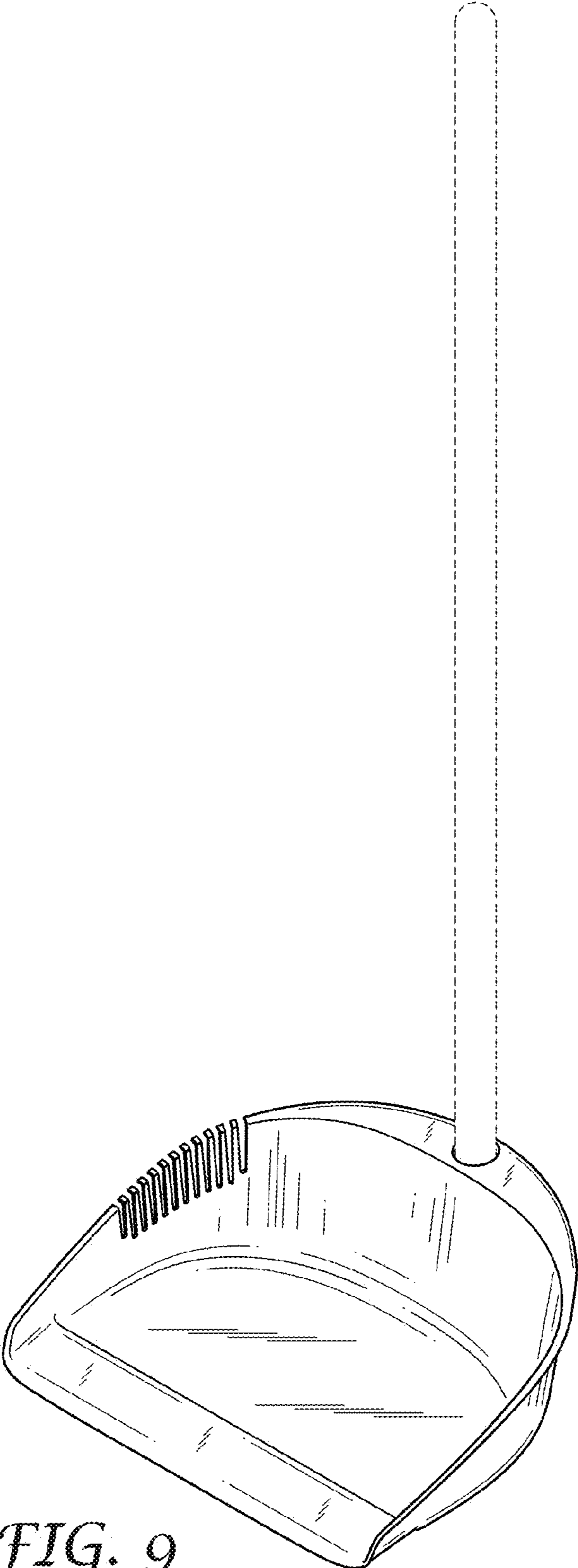


FIG. 9