



US00D684329S

(12) **United States Design Patent**  
**Church**

(10) **Patent No.:** **US D684,329 S**  
(45) **Date of Patent:** **\*\* Jun. 11, 2013**

(54) **PAINT TRAY**

(75) Inventor: **George David Church**, Kitchener (CA)

(73) Assignee: **Nour Trading House Inc.**, Waterloo,  
Ontario (CA)

(\*\*) Term: **14 Years**

(21) Appl. No.: **29/423,615**

(22) Filed: **Jun. 2, 2012**

(51) **LOC (9) Cl.** ..... **07-07**

(52) **U.S. Cl.**  
USPC ..... **D32/53.1**

(58) **Field of Classification Search**  
USPC ..... D32/53-54; 15/257.05, 257.06; 220/570,  
220/495.01, 495.02

See application file for complete search history.

(56) **References Cited**

U.S. PATENT DOCUMENTS

D264,897 S \* 6/1982 Smith ..... D32/53.1  
D301,785 S \* 6/1989 Goetz ..... D32/53.1  
D586,515 S \* 2/2009 Arvinte et al. .... D32/53.1

\* cited by examiner

*Primary Examiner* — Robin V Webster

(74) *Attorney, Agent, or Firm* — Daryl W. Shnurr

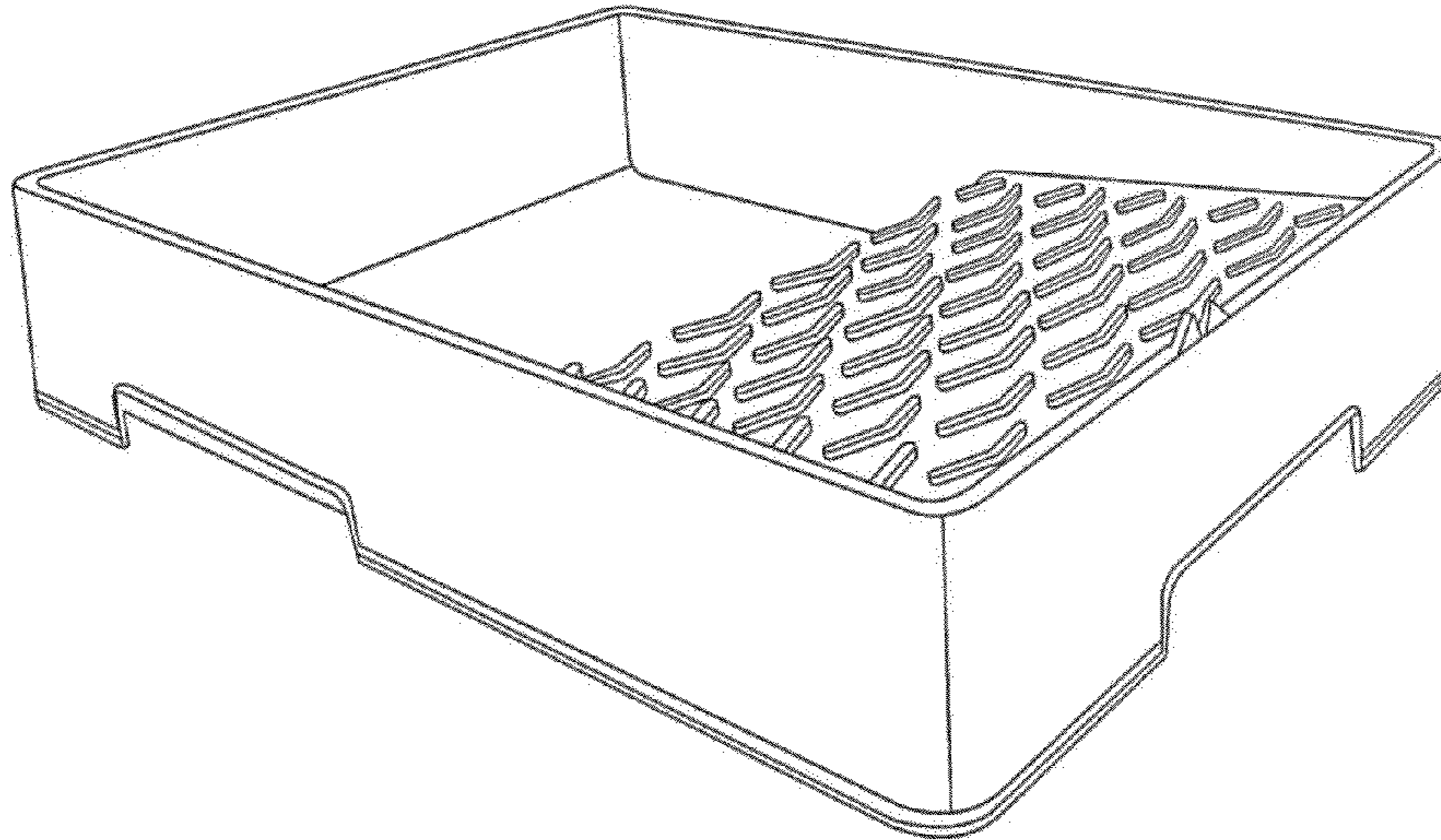
(57) **CLAIM**

The ornamental design for a paint tray, as shown and described.

**DESCRIPTION**

FIG. 1 is a front view of the tray;  
FIG. 2 is a rear view of the tray;  
FIG. 3 is a side view of the first side of the tray;  
FIG. 4 is a side view of the second side of the tray;  
FIG. 5 is a top view of the tray;  
FIG. 6 is a bottom view of the tray; and,  
FIG. 7 is a perspective view of the tray.

**1 Claim, 7 Drawing Sheets**



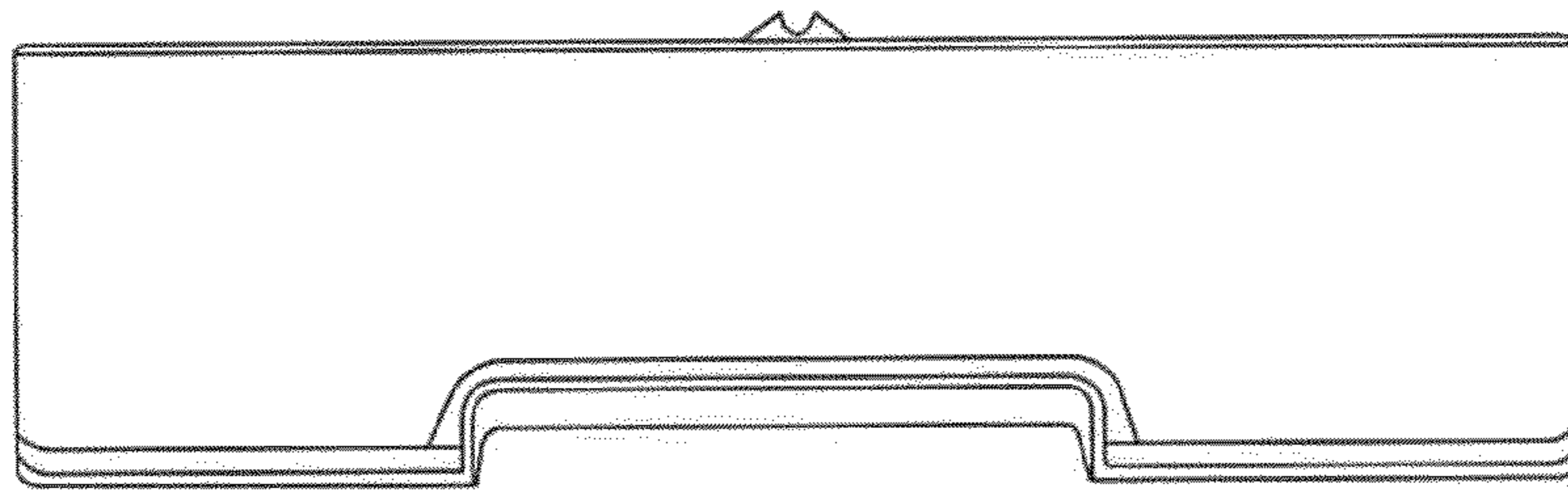


FIG. 1

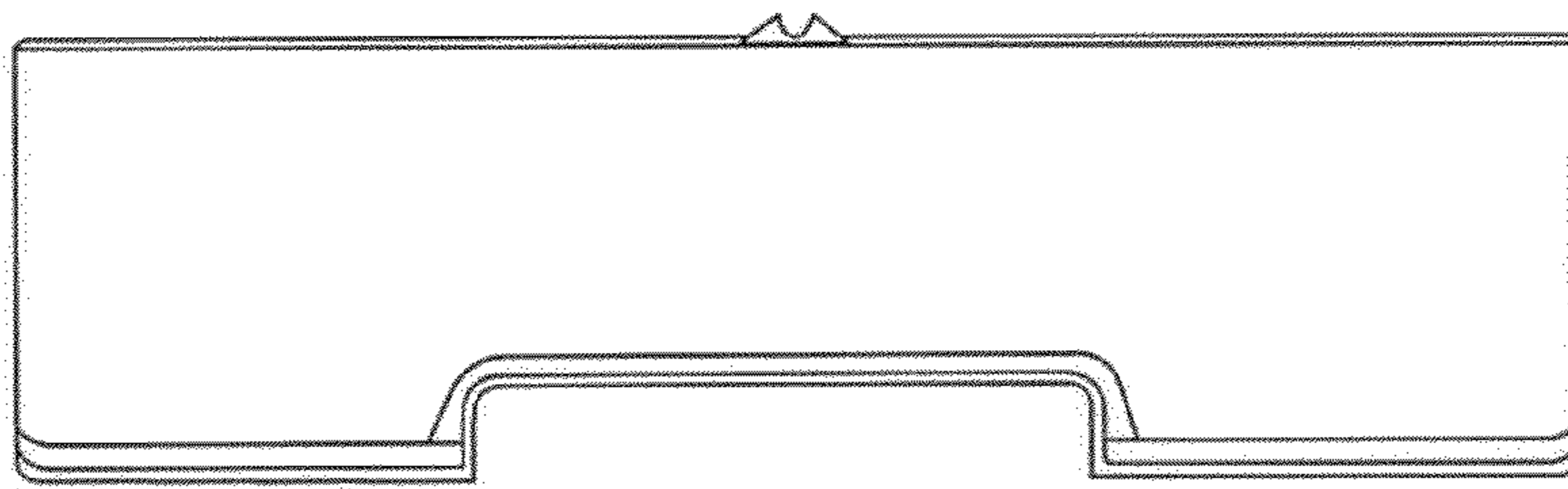


FIG. 2

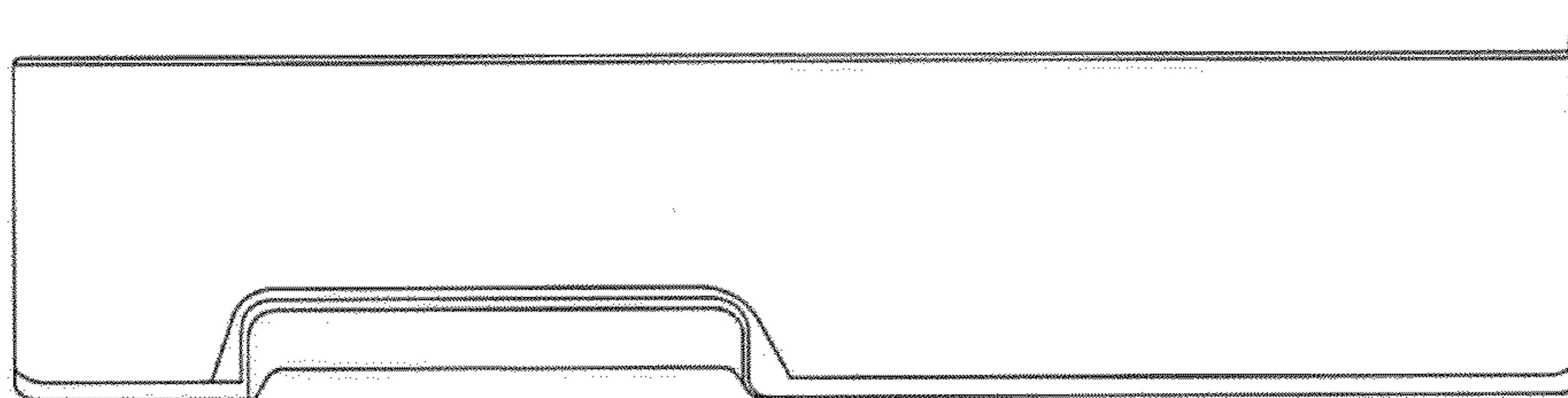


FIG. 3

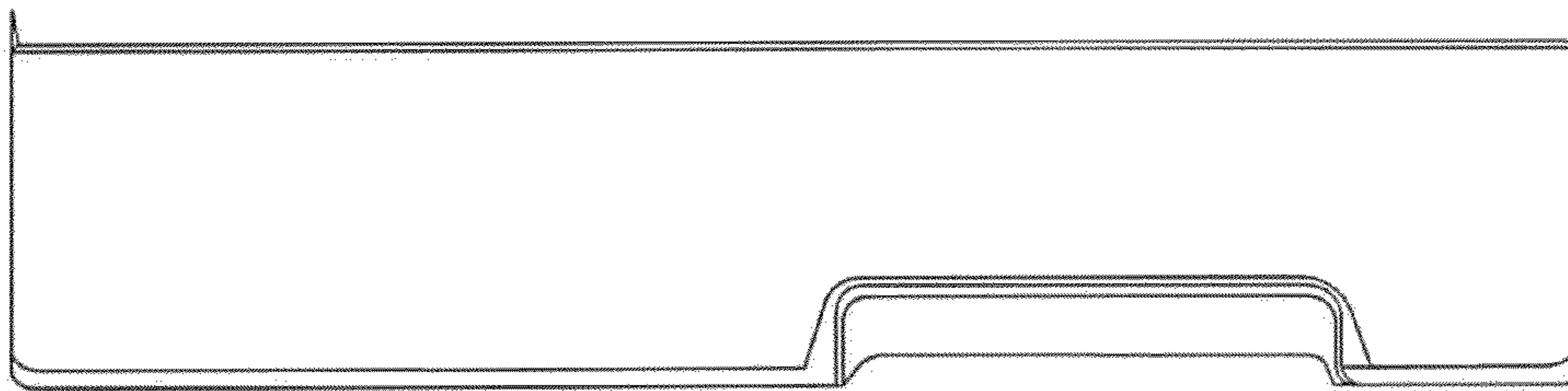


FIG. 4

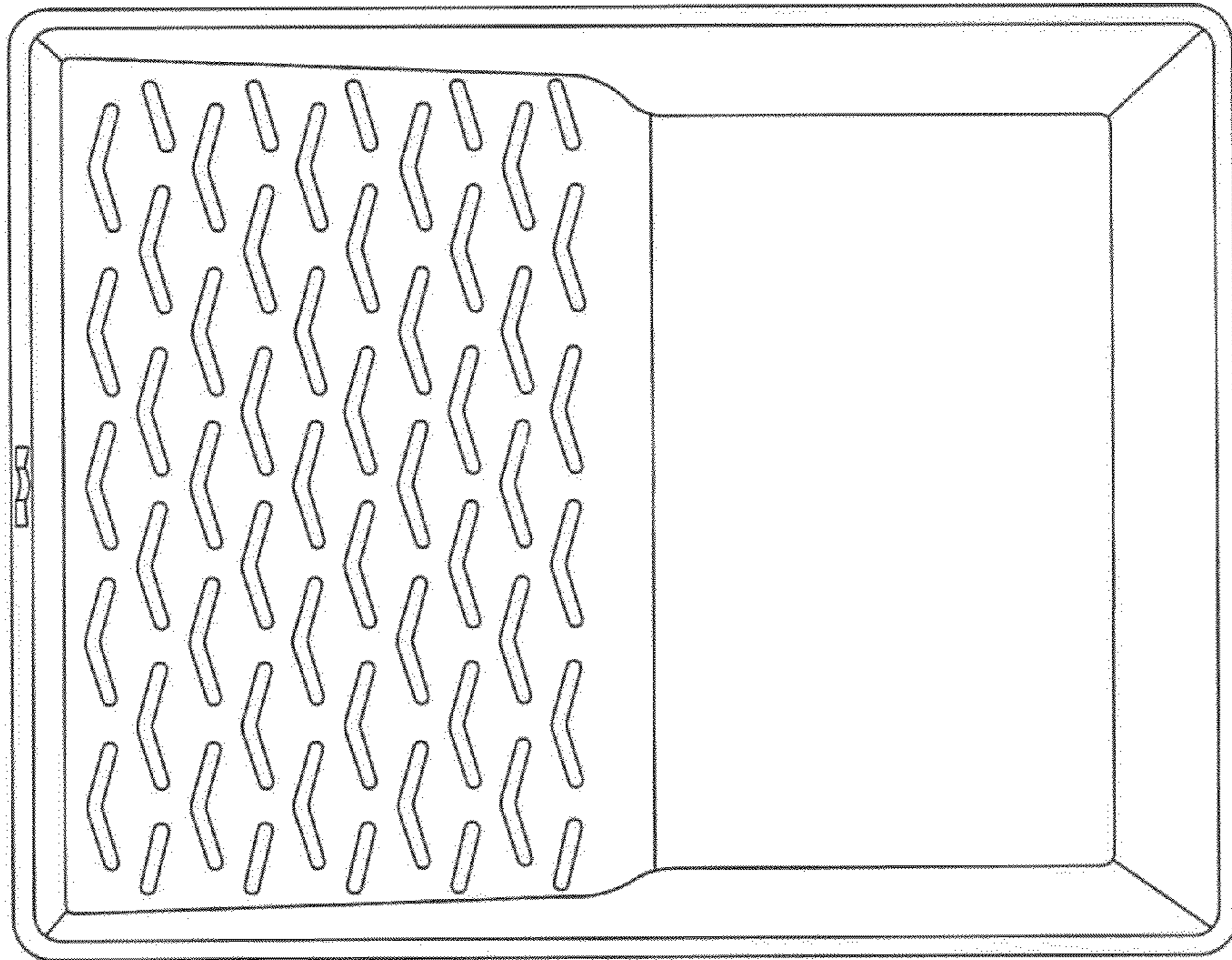


FIG. 5



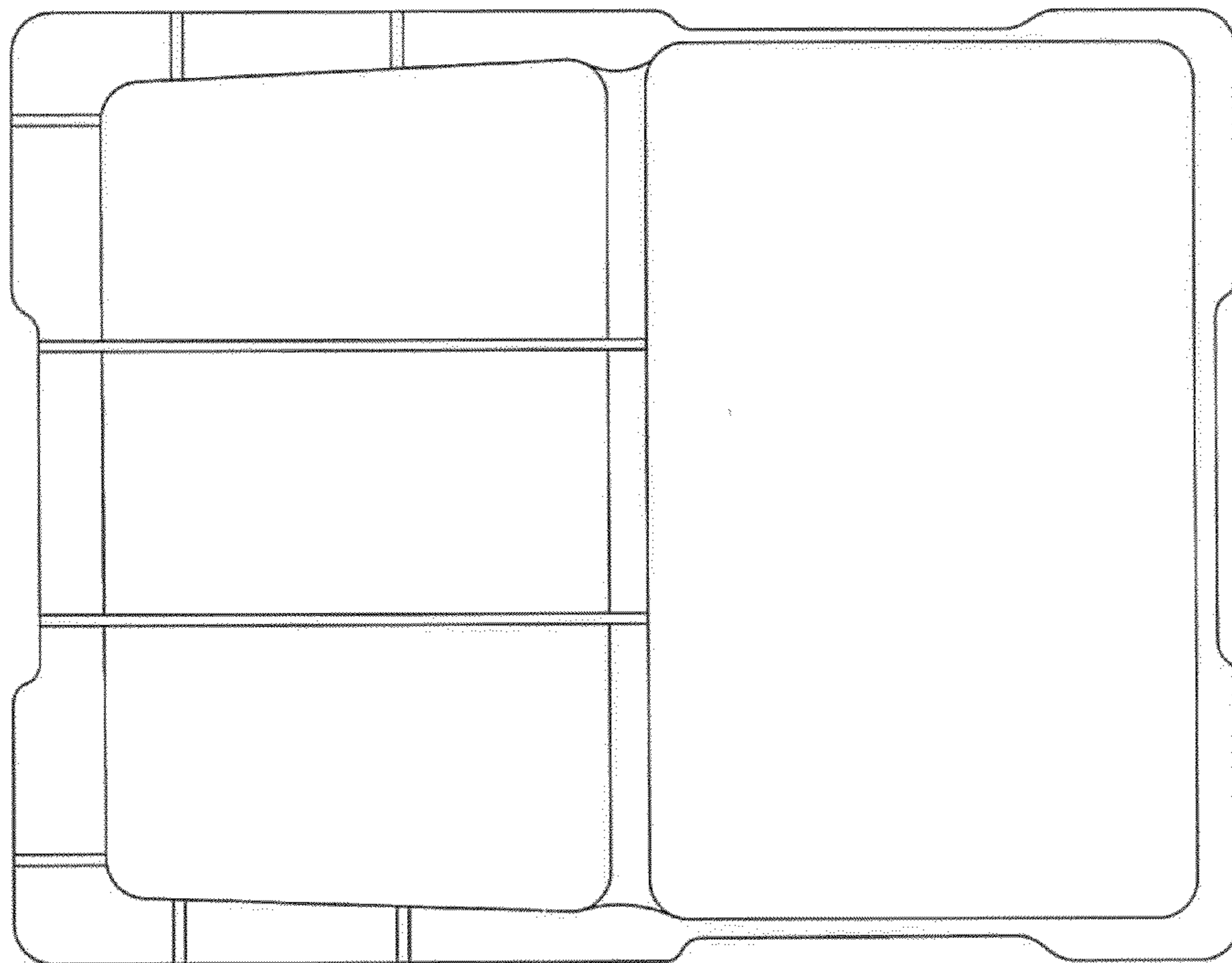


FIG. 6

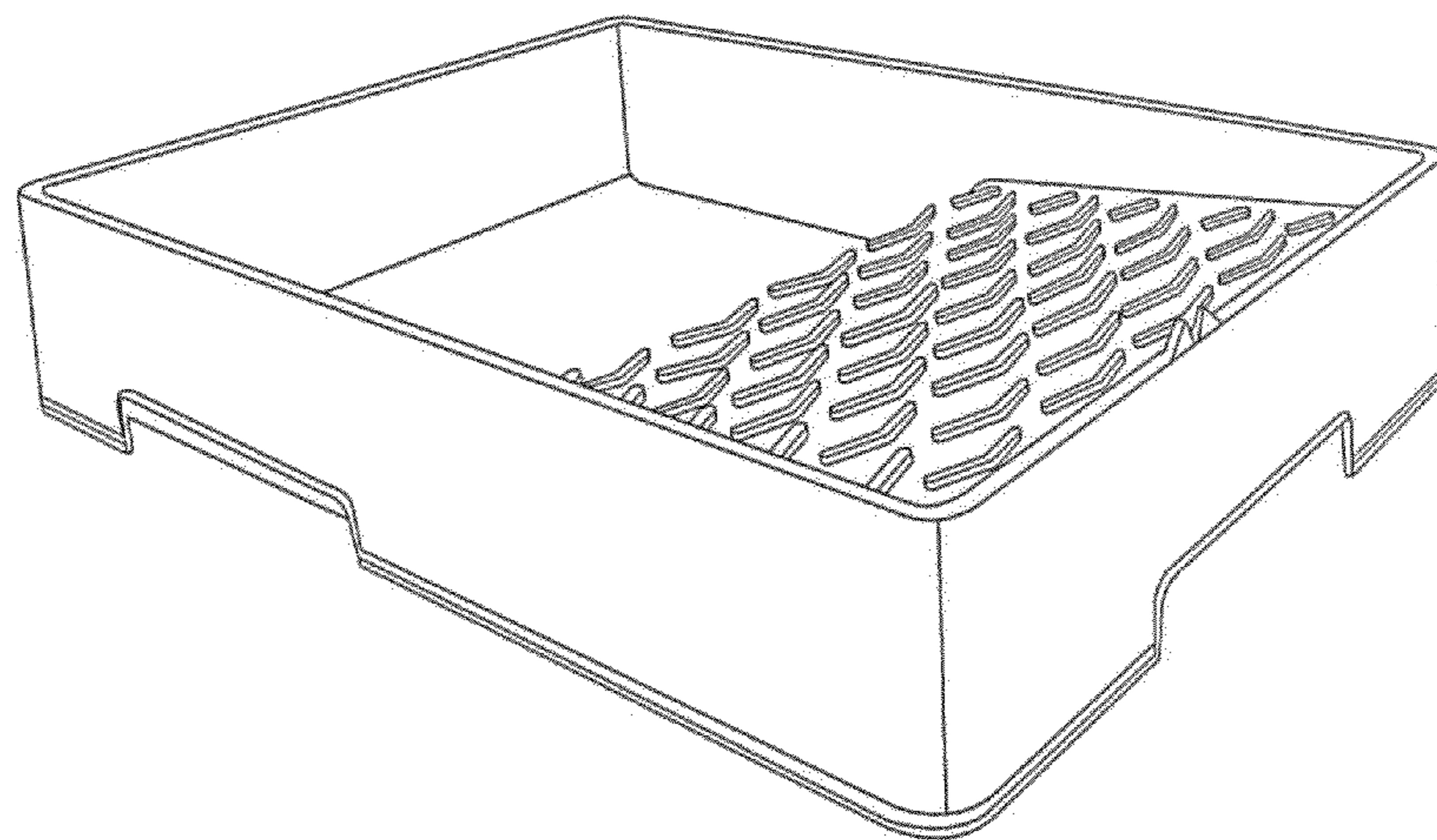


FIG. 7