



US00D684328S

(12) **United States Design Patent**
Vasilakes et al.

(10) **Patent No.:** **US D684,328 S**
(45) **Date of Patent:** **** Jun. 11, 2013**

(54) **BUCKET**

(75) Inventors: **Lloyd S. Vasilakes**, Stillwater, MN (US);
Valentina Tronconi, Milan (IT);
Edgardo Angelini, Milan (IT); **Rosario D. De Salvo**, Milan (IT); **Sandro F. U. Pizzi**, Milan (IT)

(73) Assignee: **3M Innovative Properties Company**,
St. Paul, MN (US)

(**) Term: **14 Years**

(21) Appl. No.: **29/425,726**

(22) Filed: **Jun. 26, 2012**

(51) **LOC (9) Cl.** **07-07**

(52) **U.S. Cl.**
USPC **D32/53**

(58) **Field of Classification Search**
USPC D32/53-54; 15/260-264; 220/904
See application file for complete search history.

(56) **References Cited**

U.S. PATENT DOCUMENTS

6,530,112 B2 3/2003 Hirse
6,684,450 B2 2/2004 Dingert
6,823,557 B2 11/2004 Dingert

D536,851 S * 2/2007 Lauer D32/53
7,318,247 B2 * 1/2008 Libman et al. 15/260
D620,661 S * 7/2010 Tsai D32/53
2009/0288266 A1 11/2009 Dingert

FOREIGN PATENT DOCUMENTS

EP 0 489 237 A1 6/1992

* cited by examiner

Primary Examiner — Robin V Webster

(74) *Attorney, Agent, or Firm* — Irina Hass

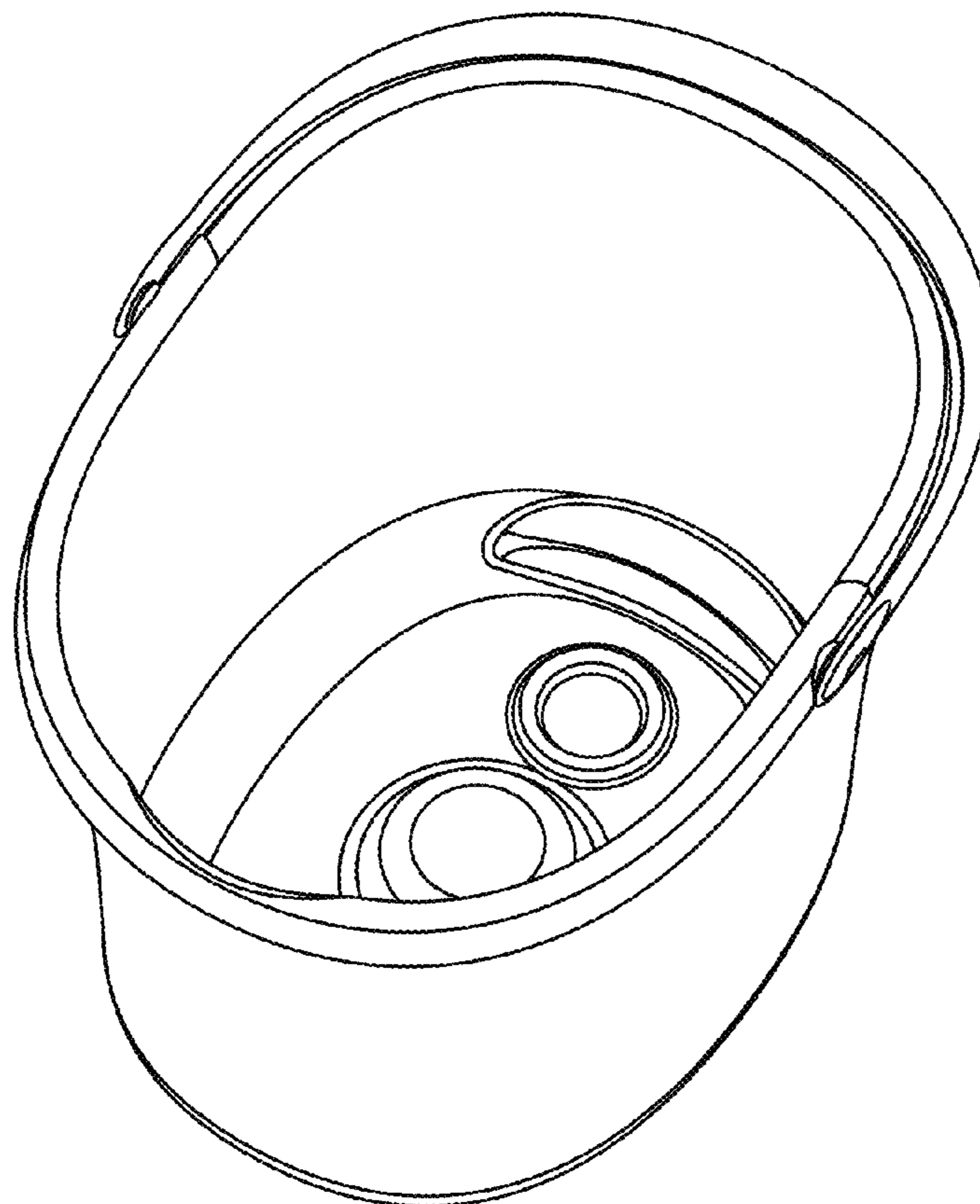
(57) **CLAIM**

The ornamental design for a bucket, as shown and described.

DESCRIPTION

FIG. 1 is a perspective view showing the new design for a bucket;
FIG. 2 is a front view thereof, a rear view being a mirror image thereof;
FIG. 3 is a left side view thereof;
FIG. 4 is a right side view thereof;
FIG. 5 is a bottom view thereof;
FIG. 6 is a top view thereof;
FIG. 7 is a perspective view thereof showing the bucket with a Wringer; and,
FIG. 8 is a cross-sectional view taken along line 8-8 of FIG. 5.
The broken lines in the drawings are shown for illustrative purposes only and form no part of the claimed design.

1 Claim, 5 Drawing Sheets



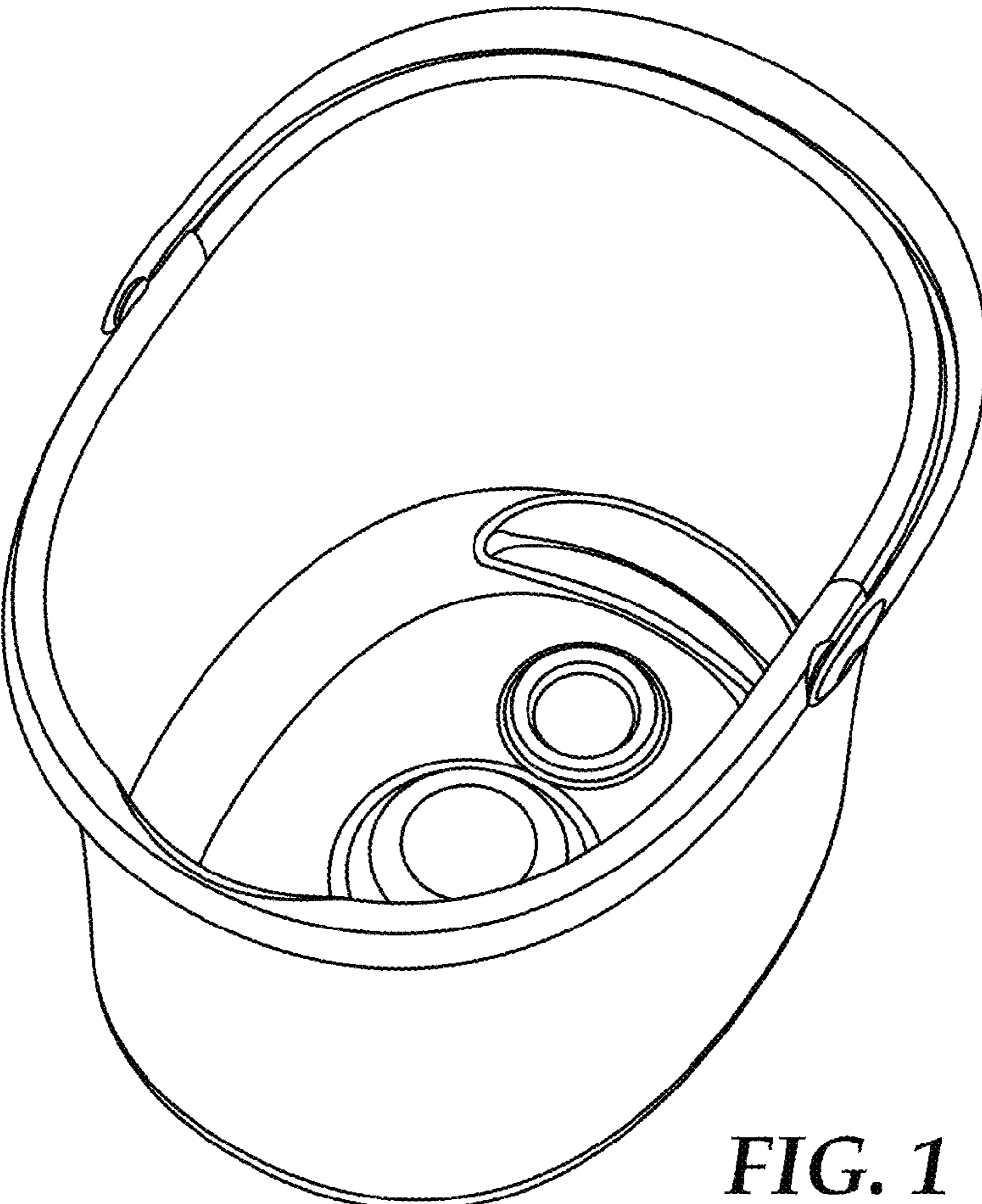


FIG. 1

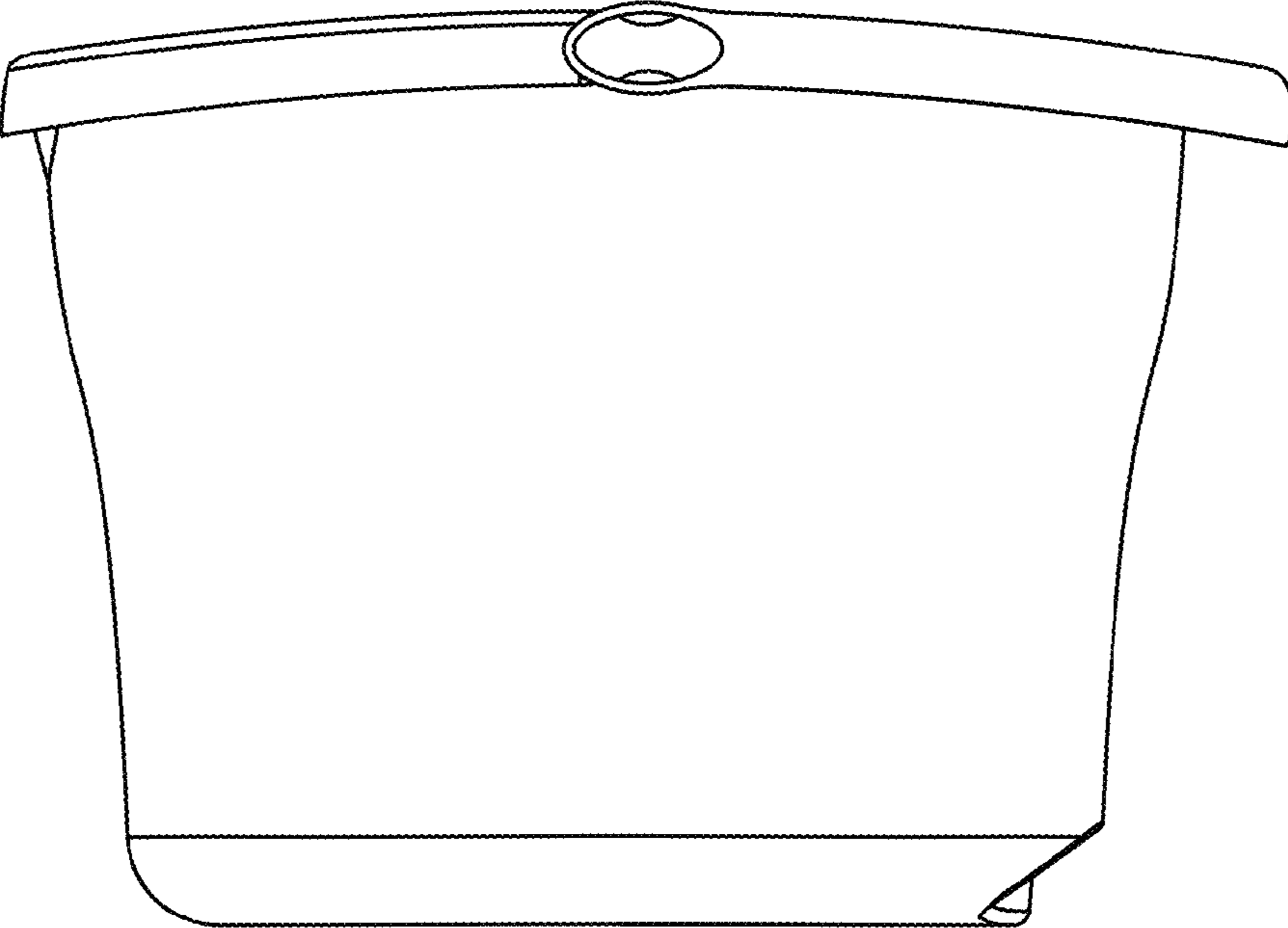


FIG. 2

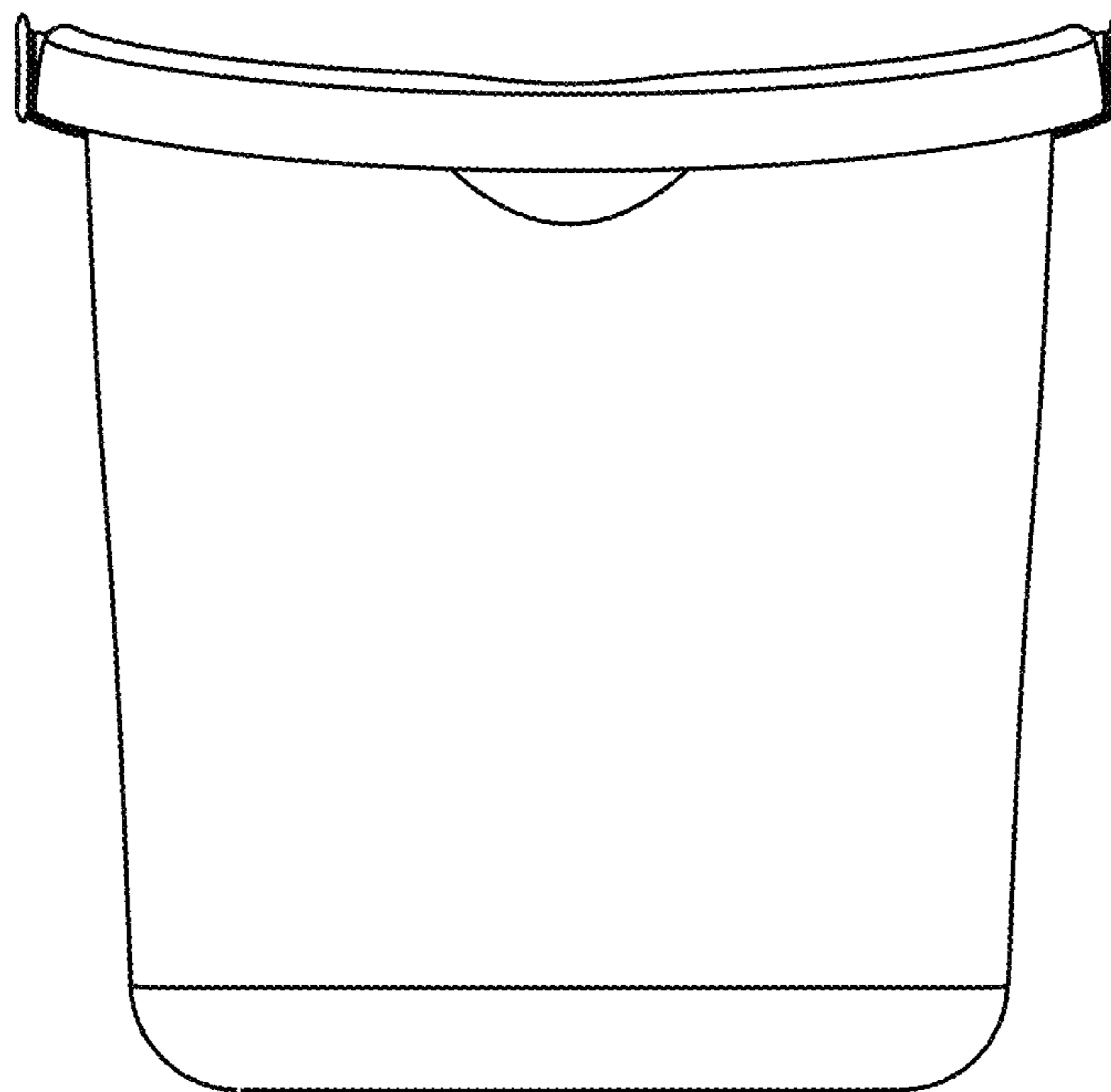


FIG. 3

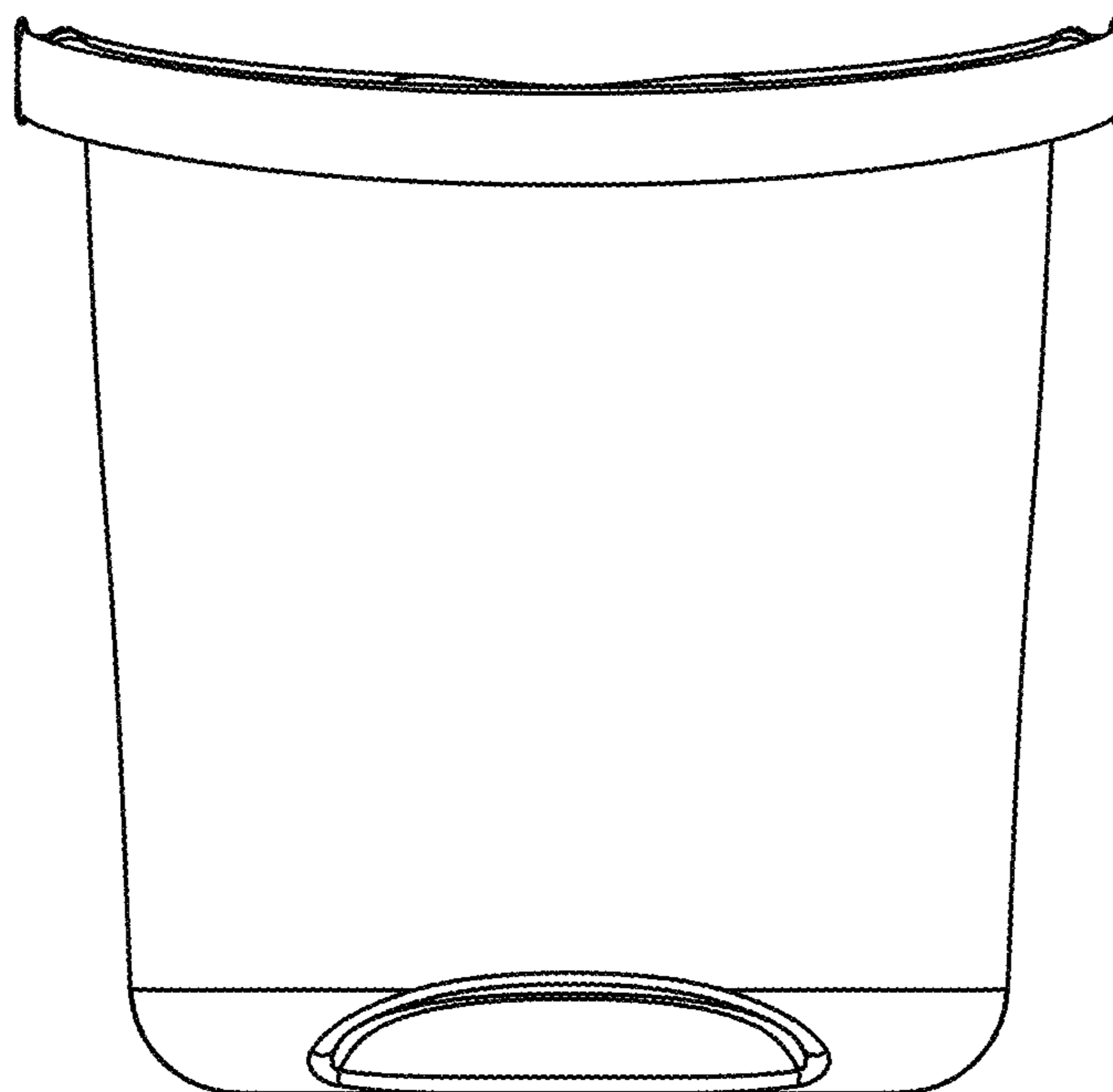


FIG. 4

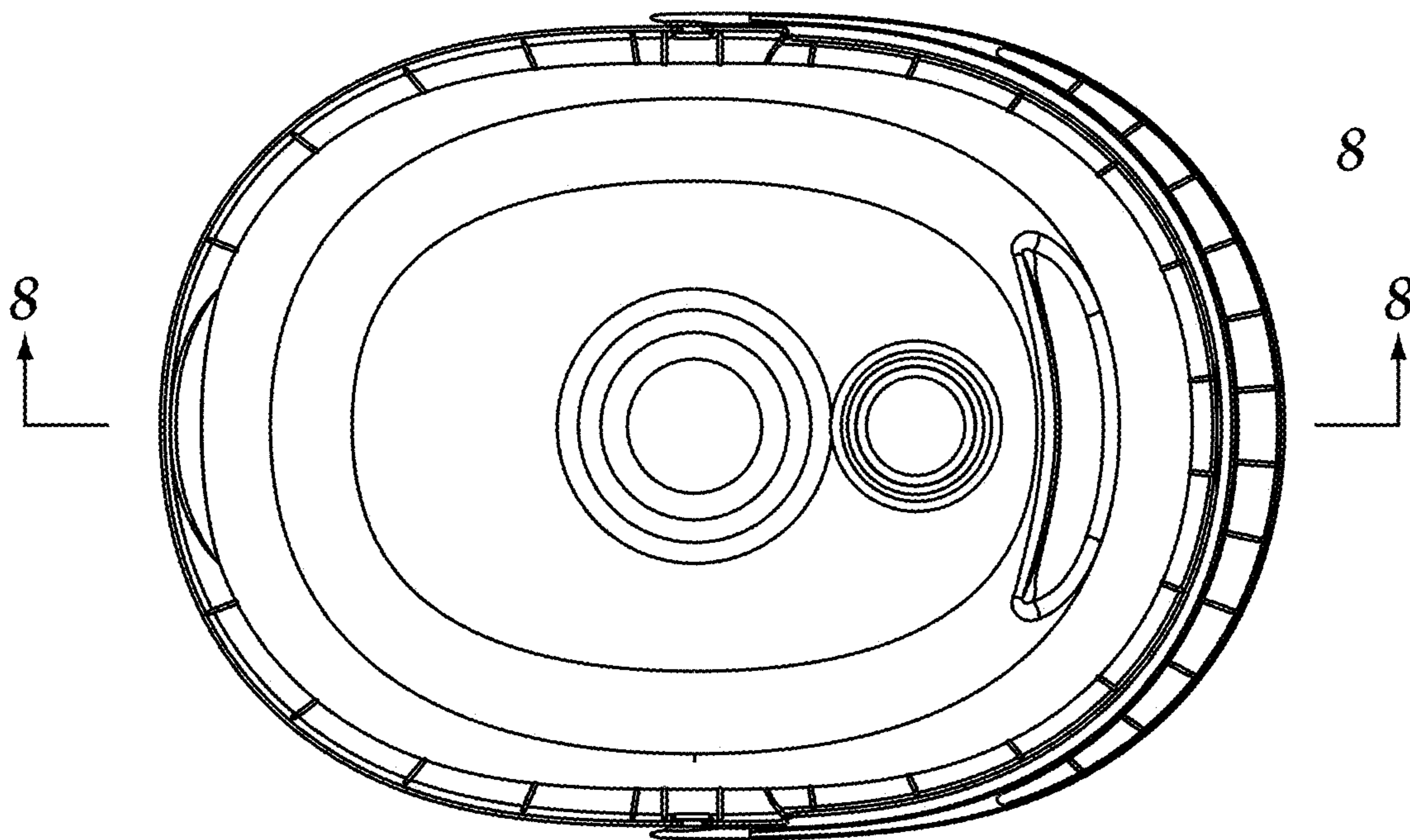


FIG. 5

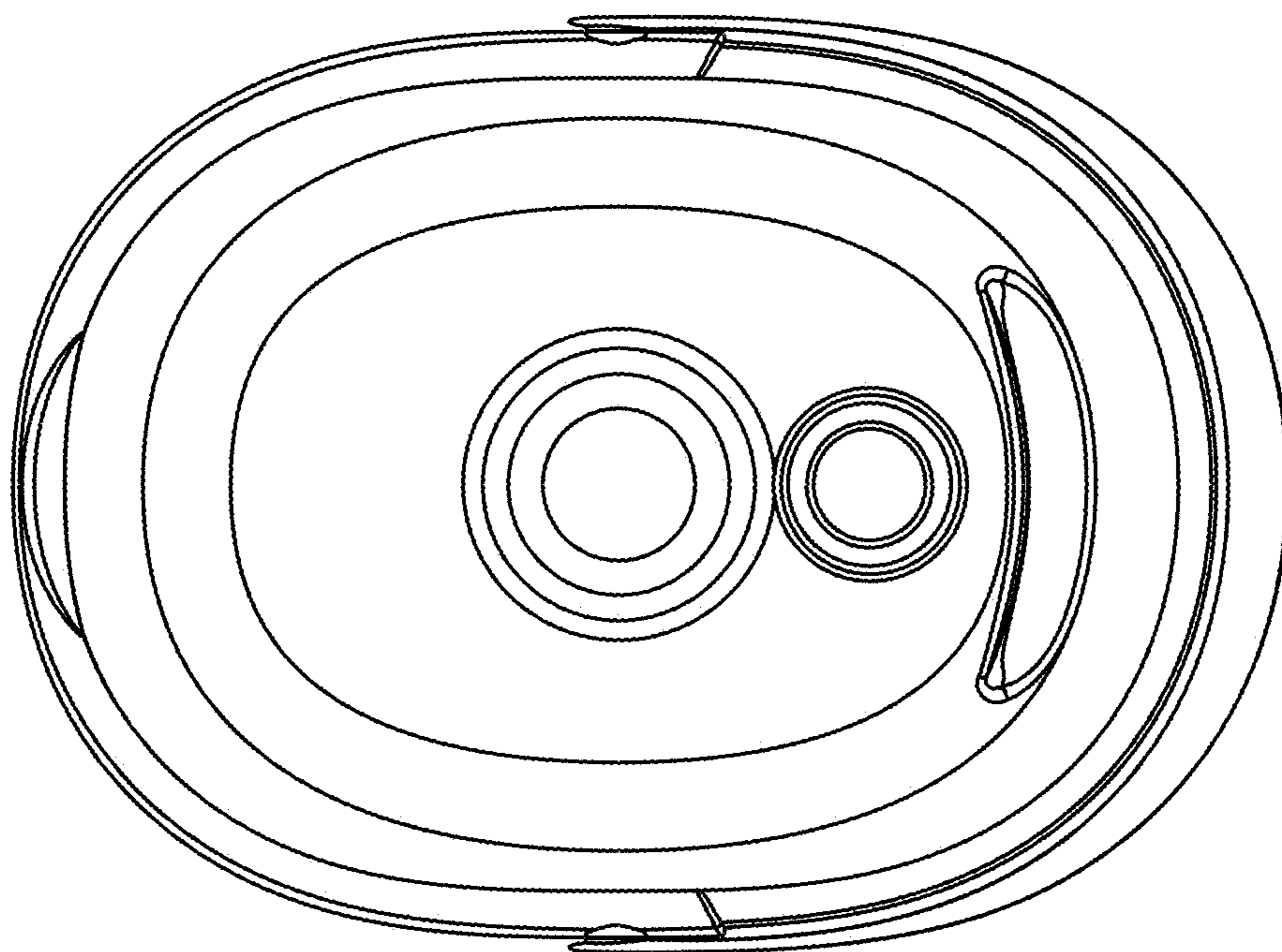


FIG. 6

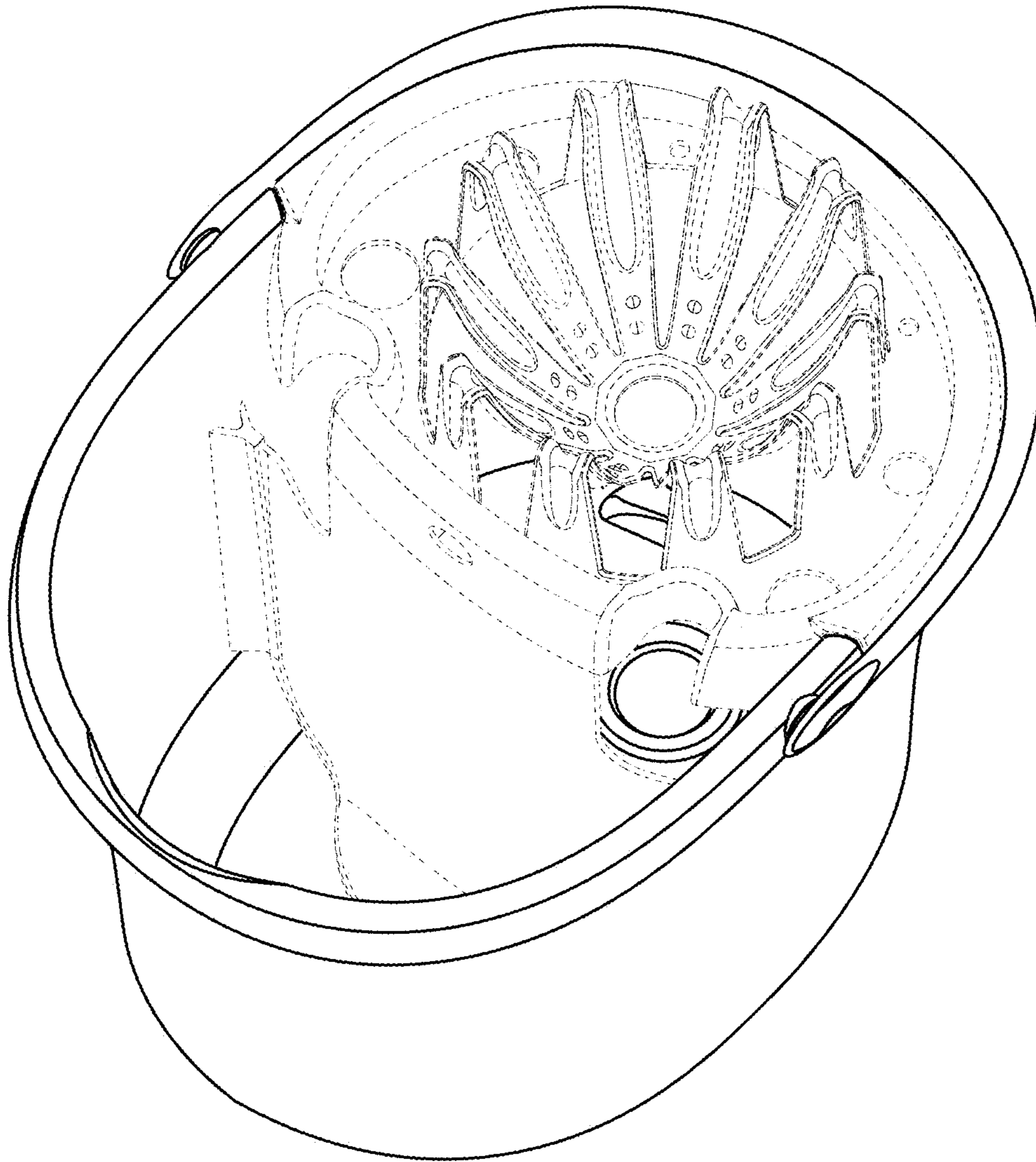


FIG. 7

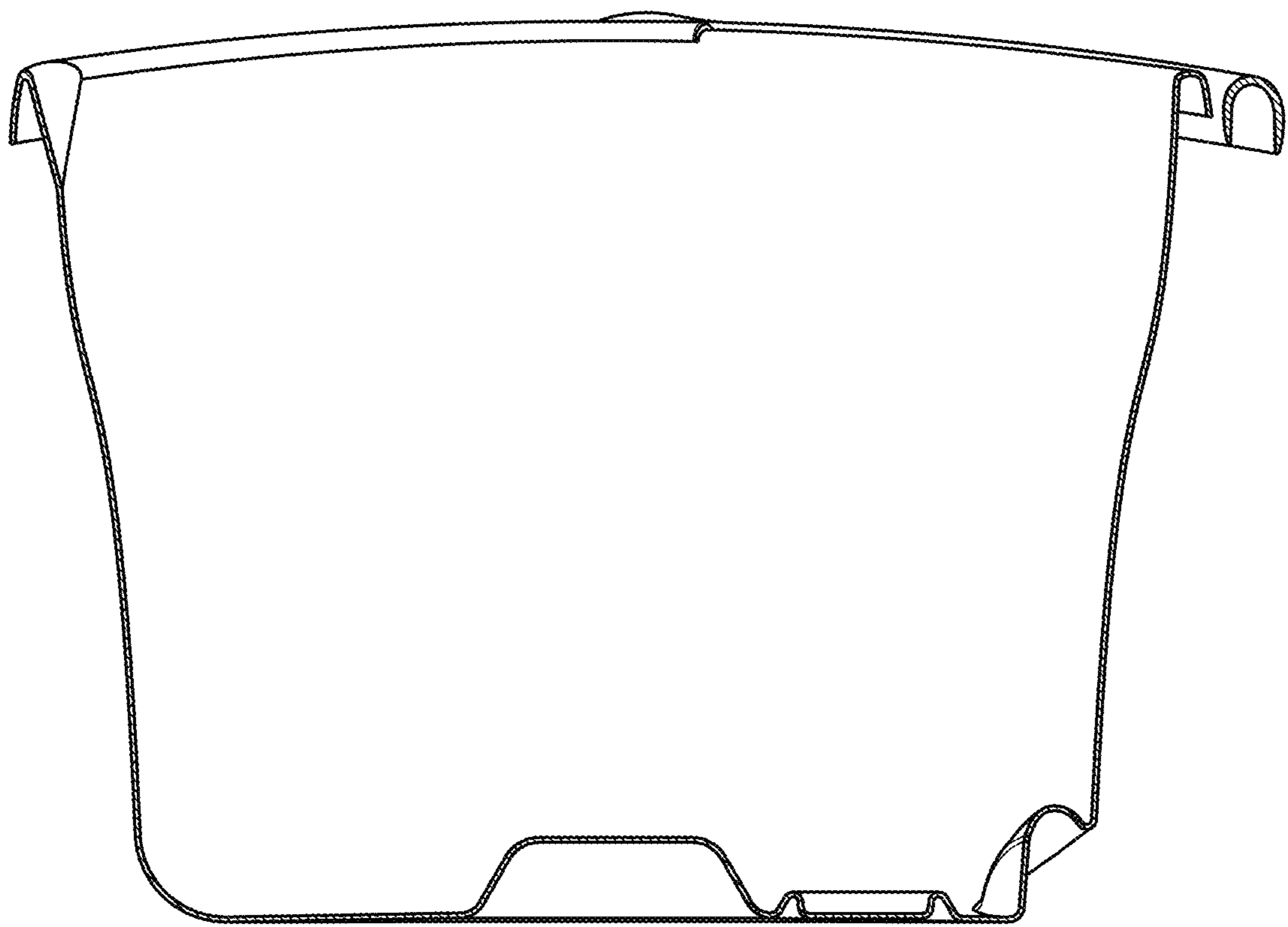


FIG. 8