

US00D684327S

(12) **United States Design Patent**  
**Bonafide**

(10) **Patent No.:** **US D684,327 S**

(45) **Date of Patent:** **\*\* Jun. 11, 2013**

(54) **CONTAINER DEVICE INCLUDING INTEGRATED FINGER OPENINGS**

D545,519 S \* 6/2007 King ..... D32/53  
D636,549 S \* 4/2011 Rockwell et al. .... D32/53

(76) Inventor: **Peter J. Bonafide**, New Smyrna Beach, FL (US)

\* cited by examiner

*Primary Examiner* — Robin V Webster

(\*\*) Term: **14 Years**

(74) *Attorney, Agent, or Firm* — Allen, Dyer, Doppelt, Milbrath & Gilchrist, P.A.

(21) Appl. No.: **29/425,443**

(57) **CLAIM**

(22) Filed: **Jun. 22, 2012**

The ornamental design for a container device including integrated finger openings, as shown and described.

(51) **LOC (9) Cl.** ..... **07-07**

(52) **U.S. Cl.**  
USPC ..... **D32/53**

**DESCRIPTION**

(58) **Field of Classification Search**  
USPC ..... D32/53-54; 15/260-264; 220/904, 220/659; D9/429

FIG. 1 is a perspective view thereof;  
FIG. 2 is a side view thereof;  
FIG. 3 is a top view thereof;  
FIG. 4 is a bottom view thereof; and,  
FIG. 5 is a perspective bottom view thereof.

See application file for complete search history.

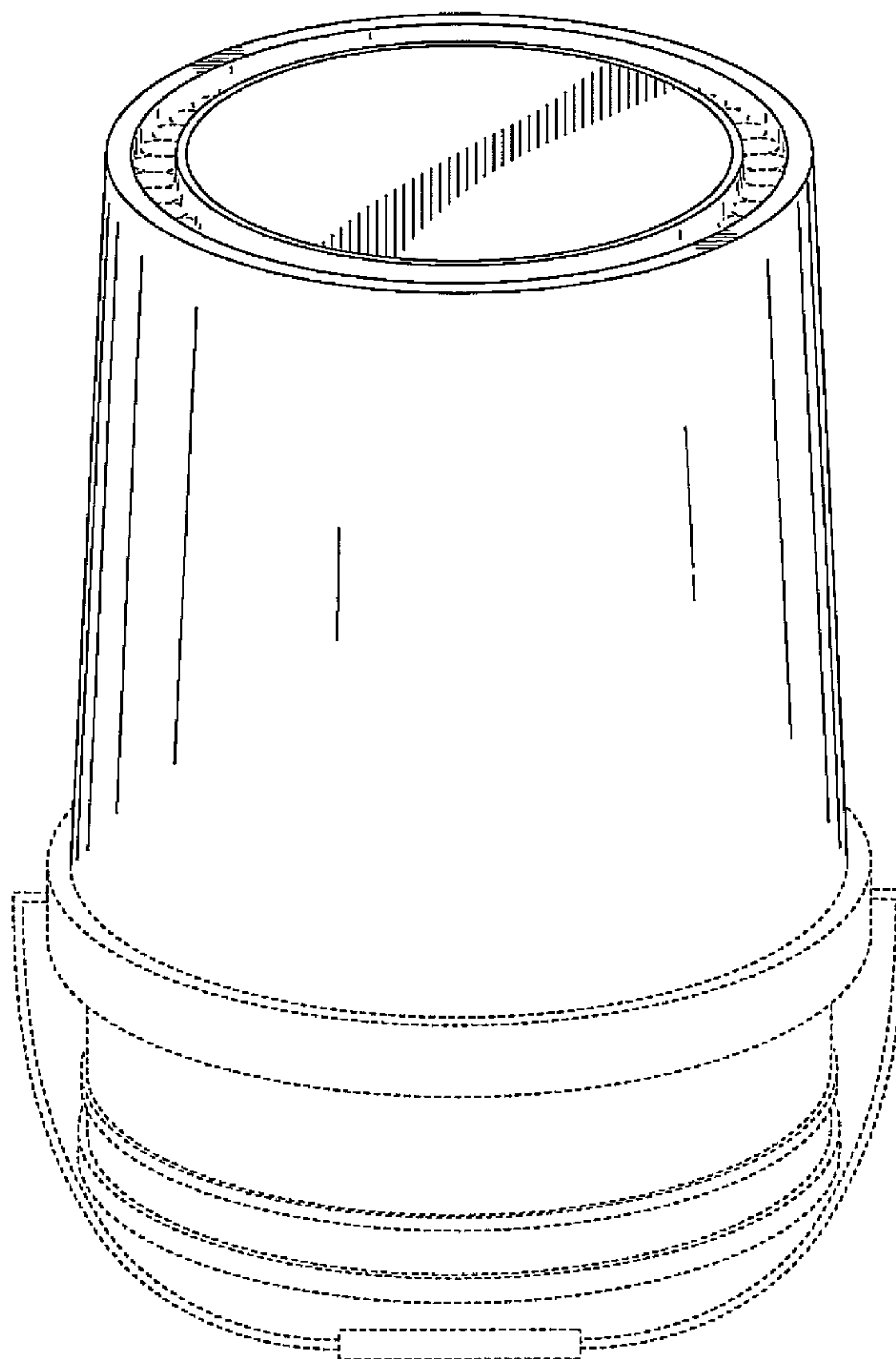
The broken line showing of environmental structures is for illustrative purposes only and forms no part of the claimed design.

(56) **References Cited**

U.S. PATENT DOCUMENTS

D430,459 S \* 9/2000 Conti ..... D7/615  
D469,233 S \* 1/2003 Begnani ..... D32/53

**1 Claim, 5 Drawing Sheets**



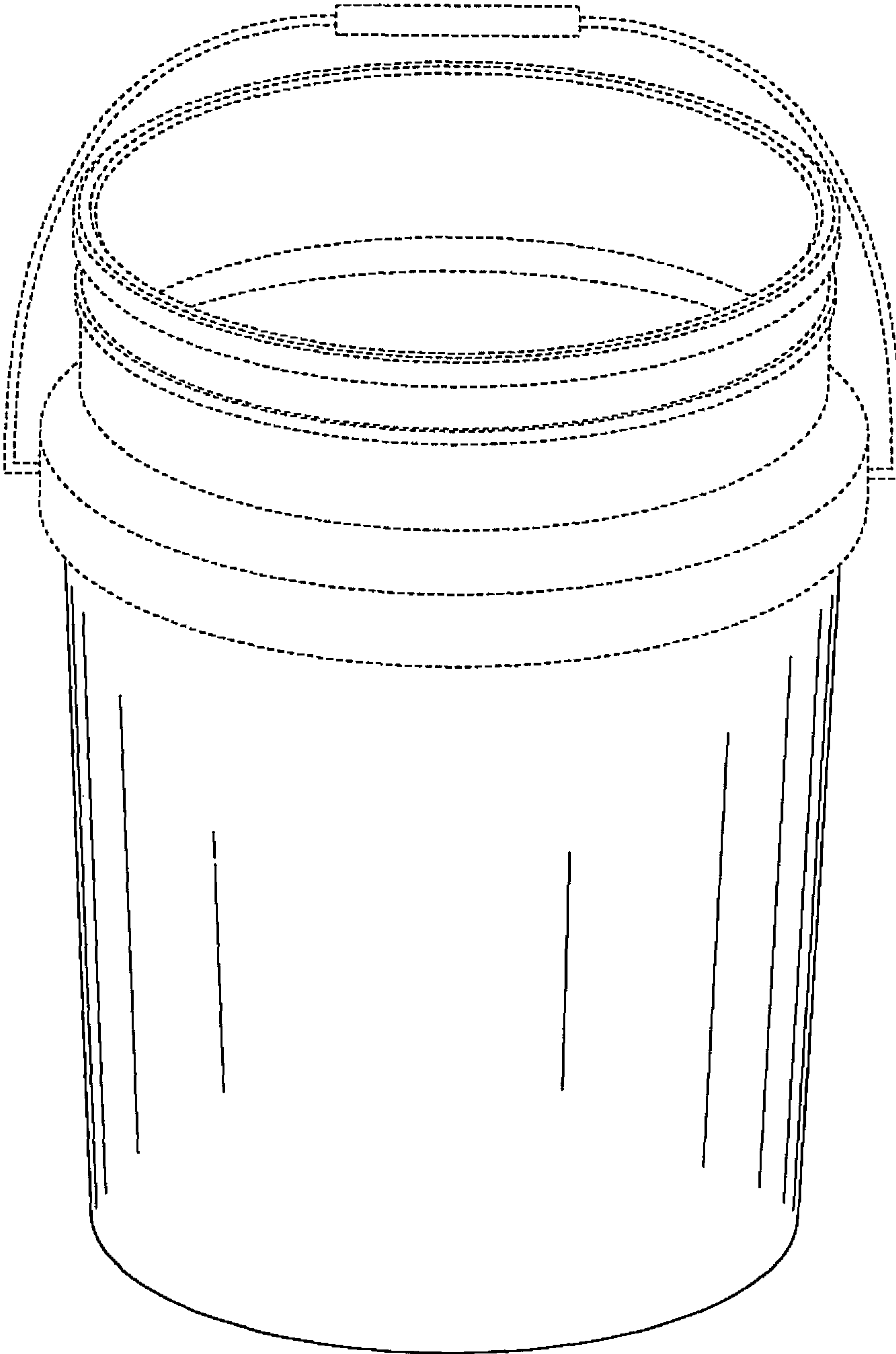


FIG. 1

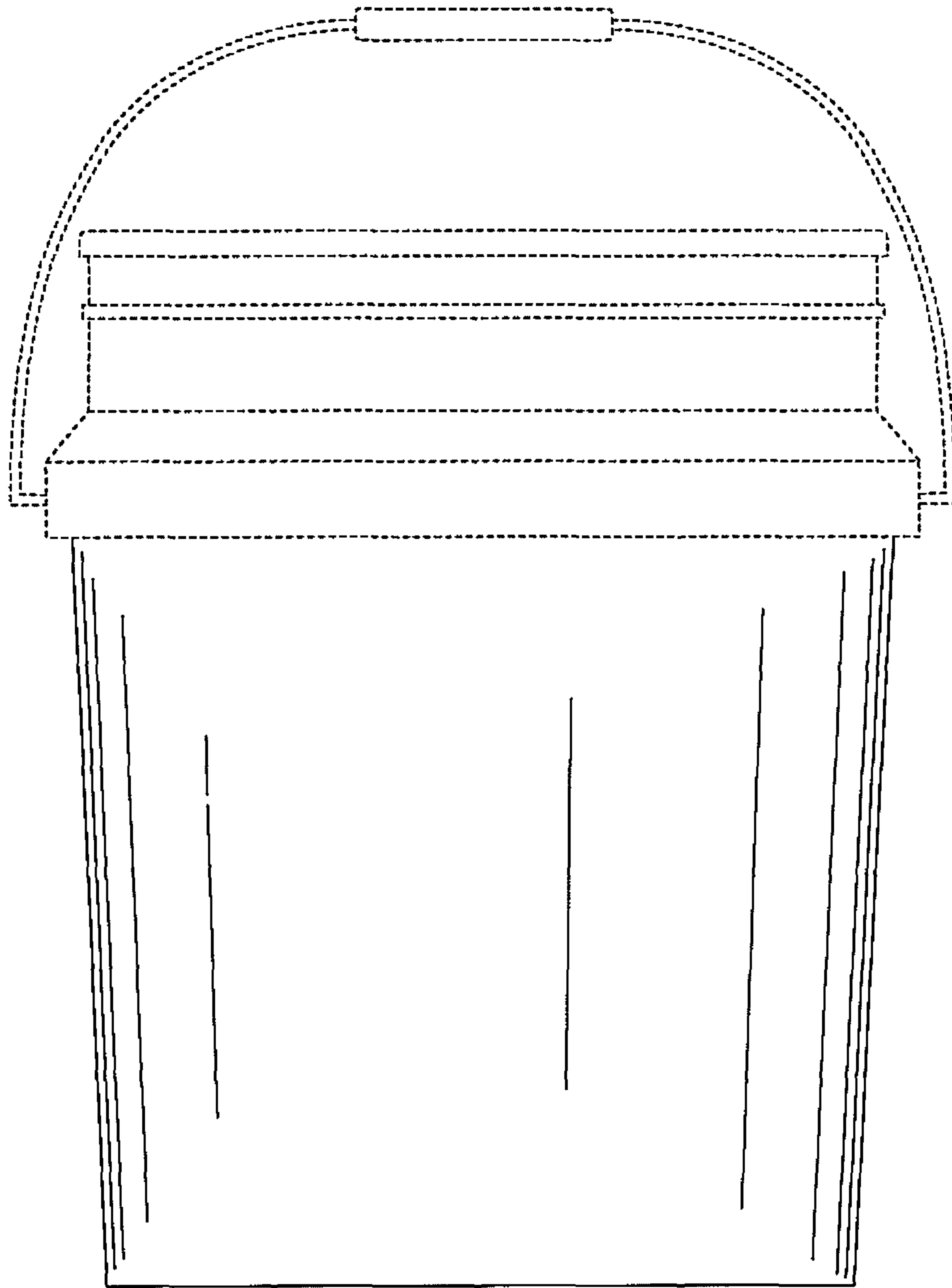


FIG. 2

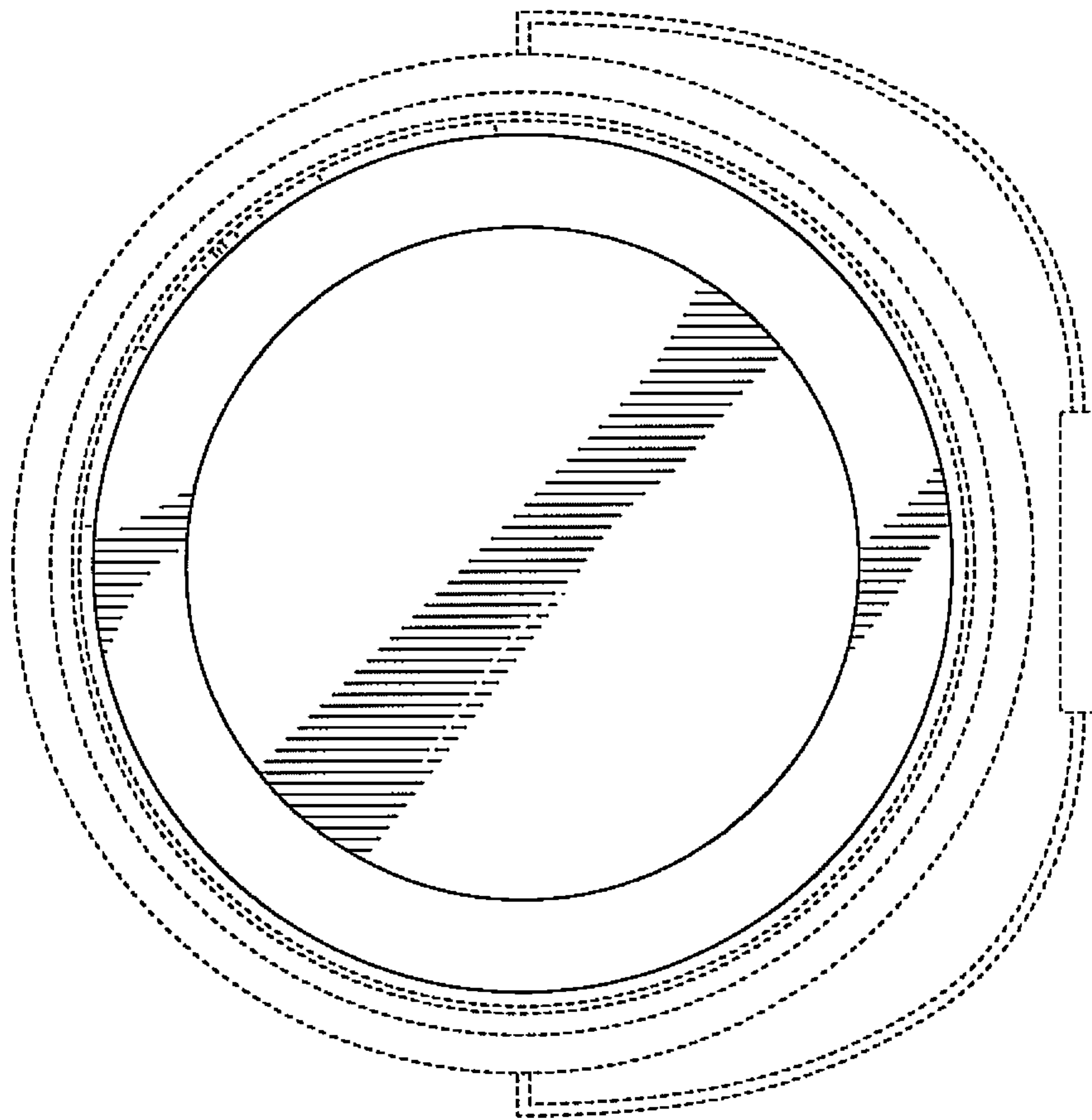


FIG. 3

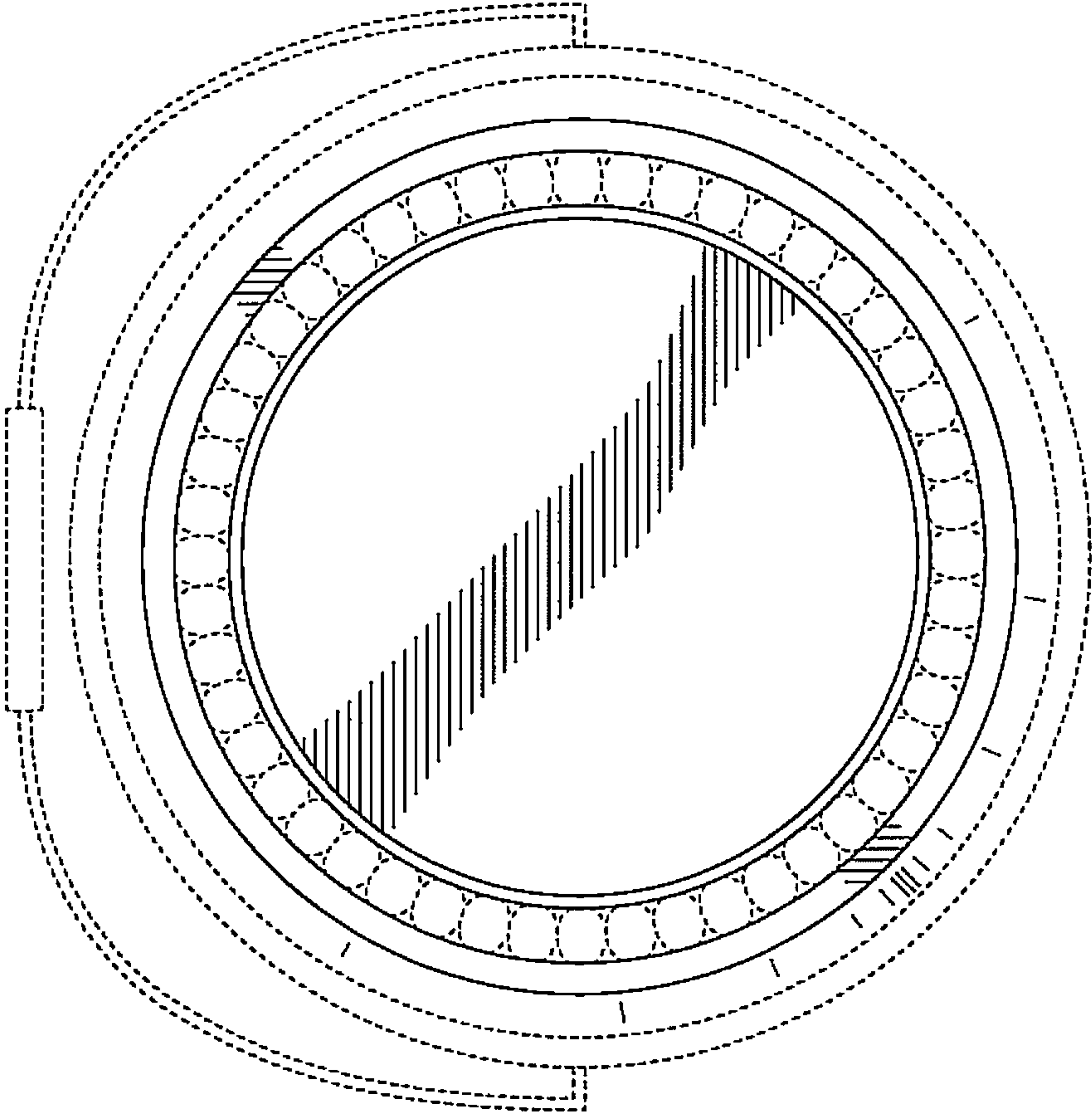


FIG. 4

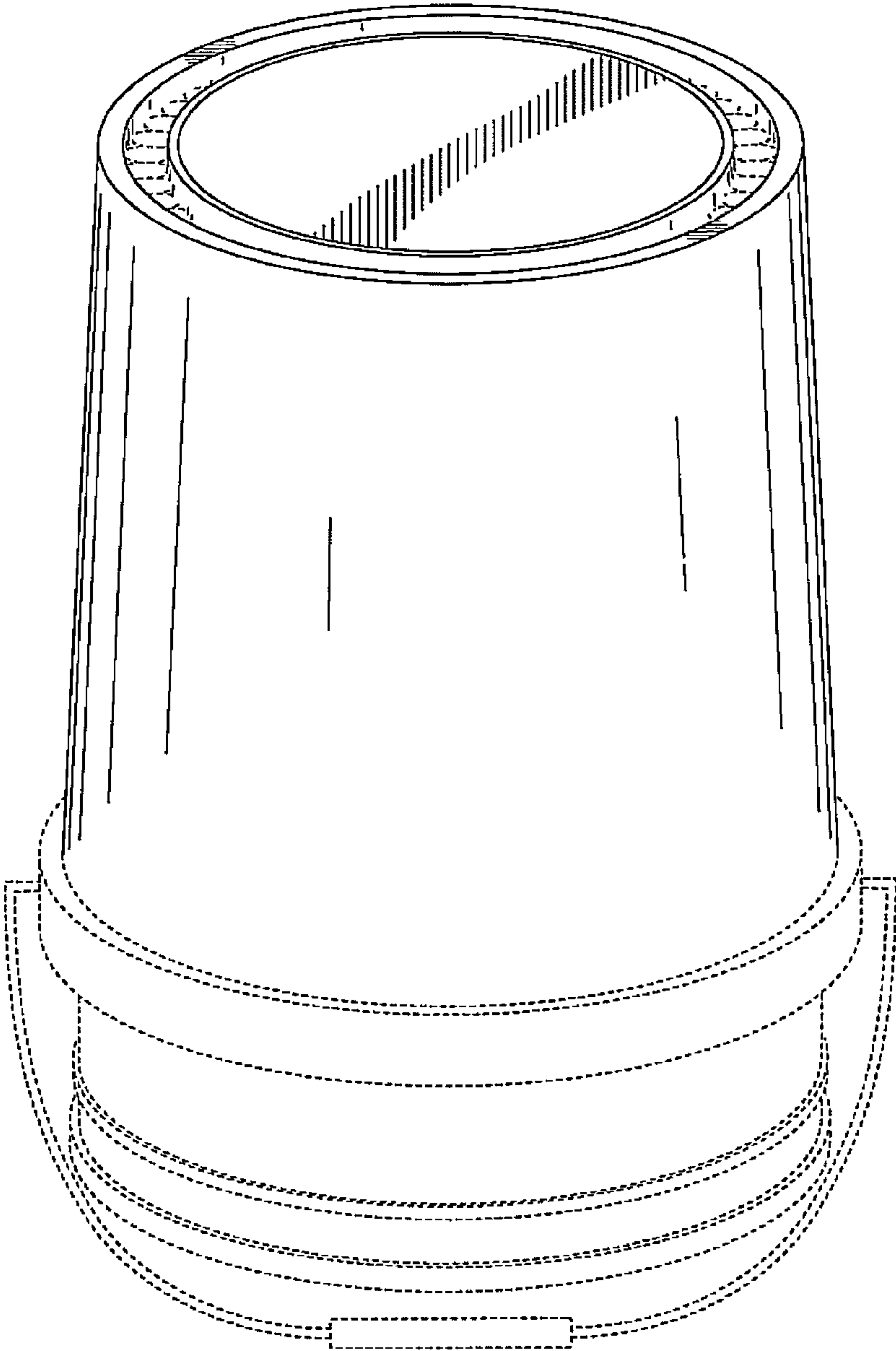


FIG. 5