

US00D684326S

(12) **United States Design Patent**
Okabe et al.

(10) **Patent No.:** **US D684,326 S**
(45) **Date of Patent:** **** Jun. 11, 2013**

(54) **VACUUM CLEANER**

(75) Inventors: **Kensaku Okabe**, Osaka (JP); **Masakazu Umeda**, Shiga (JP); **Kiyoaki Konno**, Nara (JP)

(73) Assignee: **Panasonic Corporation**, Osaka (JP)

(**) Term: **14 Years**

(21) Appl. No.: **29/412,036**

(22) Filed: **Jan. 30, 2012**

(30) **Foreign Application Priority Data**

Oct. 28, 2011 (JP) 2011-024898

(51) **LOC (9) Cl.** **15-05**

(52) **U.S. Cl.**
USPC **D32/22**

(58) **Field of Classification Search**
USPC D32/22, 30-31, 34, 19-20; 55/429, 55/337, DIG. 3; 15/410, 347, 328, 350, 352, 15/353, 361, DIG. 8, 246.2, 320-322, 409, 15/28, 23, 179, 97.1, 24; 451/466
See application file for complete search history.

(56) **References Cited**

U.S. PATENT DOCUMENTS

D462,813 S * 9/2002 Nakano et al. D32/22
D516,259 S 2/2006 Richardson et al.
D531,770 S * 11/2006 Luebbering et al. D32/22
D532,944 S * 11/2006 Choi D32/22
D537,584 S * 2/2007 Greene et al. D32/22
D573,759 S * 7/2008 Konno et al. D32/22

D587,870 S * 3/2009 Baek et al. D32/22
D608,064 S * 1/2010 Conrad et al. D32/22
D610,317 S * 2/2010 Lee et al. D32/22
D610,318 S * 2/2010 Shin D32/22
D633,264 S * 2/2011 Lee D32/22
8,032,983 B2 * 10/2011 Griffith et al. 15/347
D652,589 S * 1/2012 Lee D32/22
D670,878 S * 11/2012 Lee D32/22
D671,697 S * 11/2012 Kim et al. D32/22
2013/0007982 A1 * 1/2013 Yun 15/347

FOREIGN PATENT DOCUMENTS

CN 200730004357.8 6/2008
EM 000846852-0002 2/2008
JP D1237649 4/2005

* cited by examiner

Primary Examiner — Ruth McInroy

(74) *Attorney, Agent, or Firm* — Brinks Hofer Gilson & Lione

(57) **CLAIM**

We claim the ornamental design for a vacuum cleaner, as shown and described.

DESCRIPTION

FIG. 1 is a front perspective view of a vacuum cleaner of the present invention;
FIG. 2 is a rear perspective view thereof;
FIG. 3 is a front view thereof;
FIG. 4 is a rear view thereof;
FIG. 5 is a first side view thereof;
FIG. 6 is a second side view thereof;
FIG. 7 is a top view thereof; and,
FIG. 8 is a bottom view thereof.

1 Claim, 8 Drawing Sheets

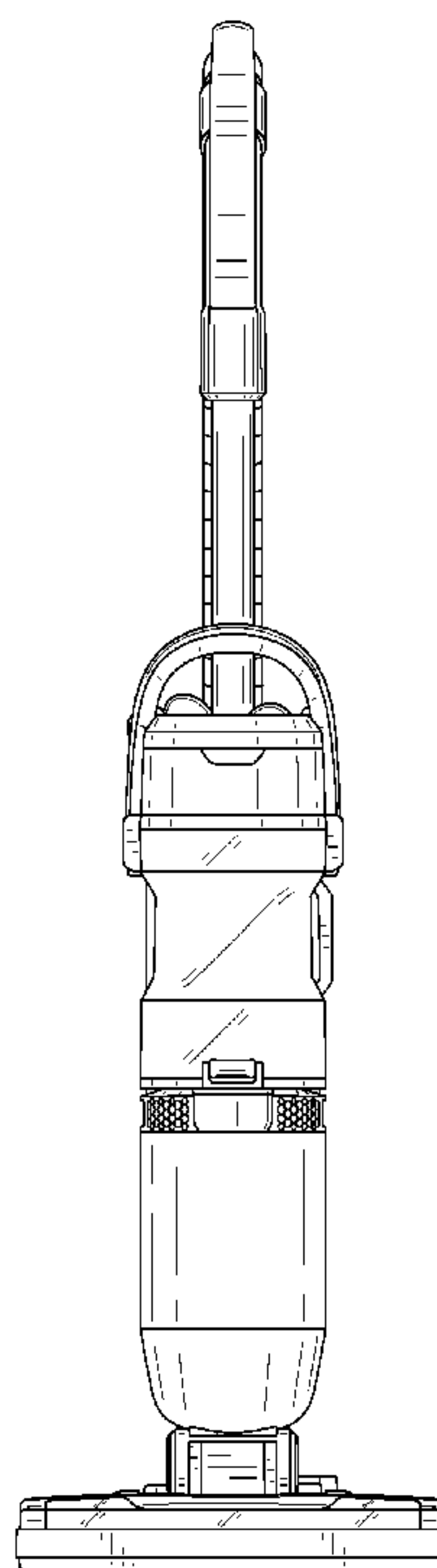
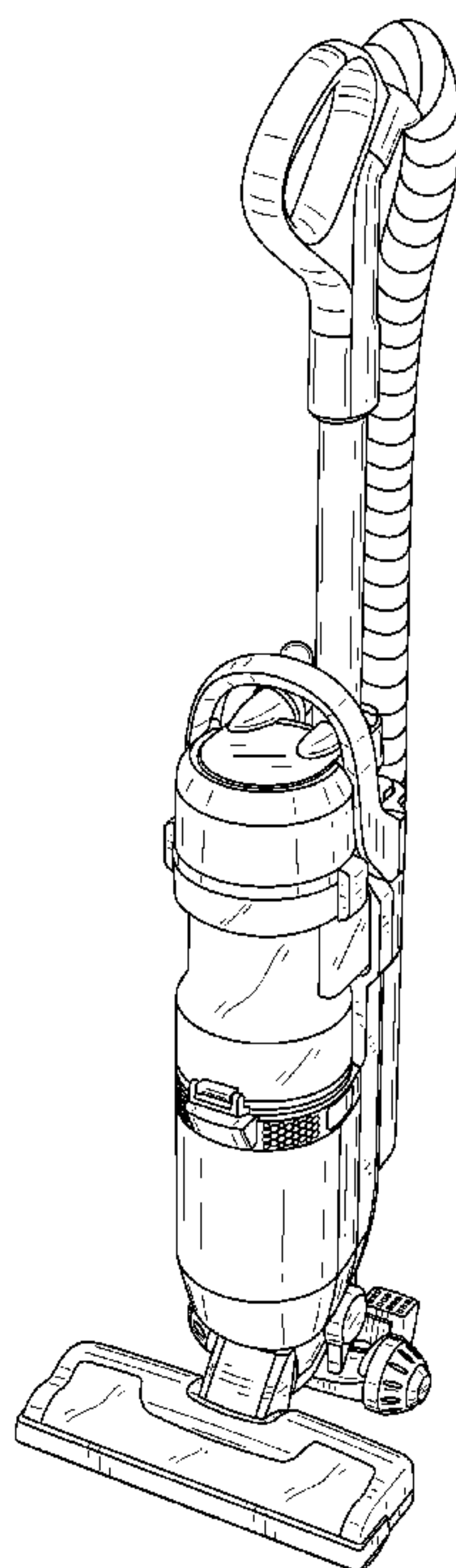


FIG. 1

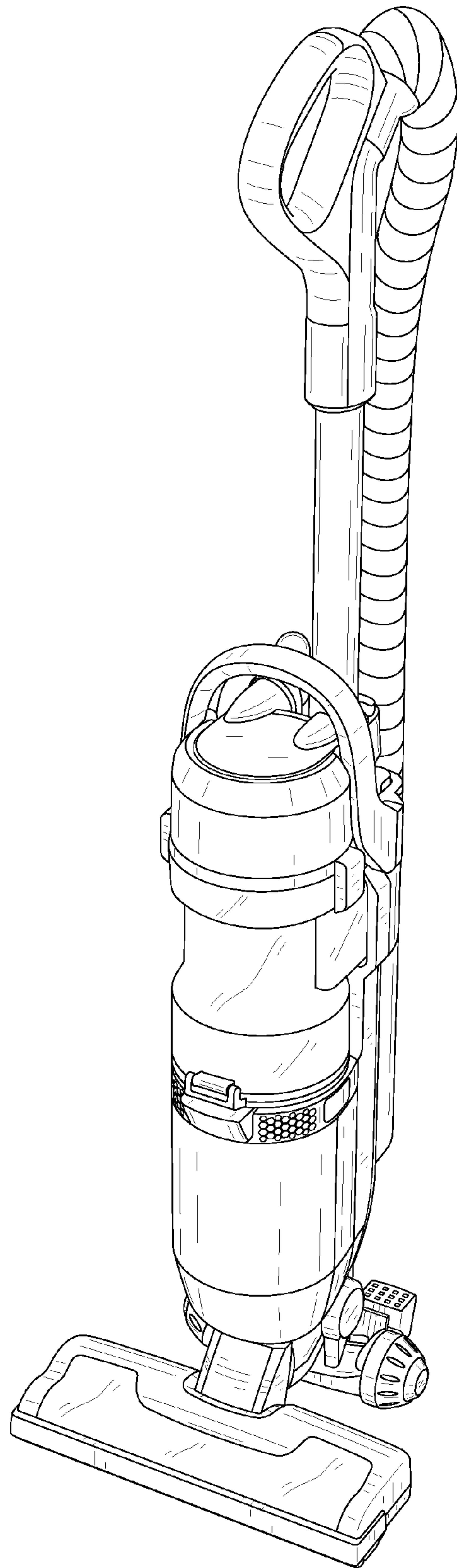


FIG.2

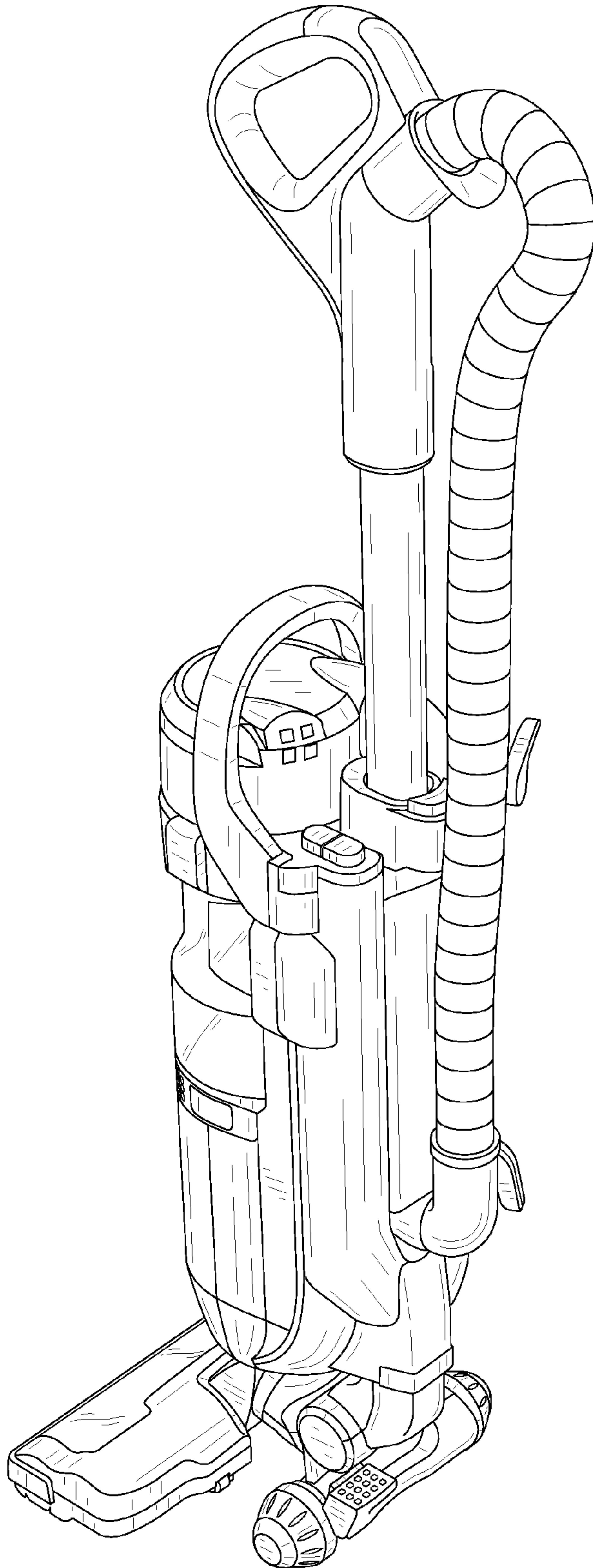


FIG.3

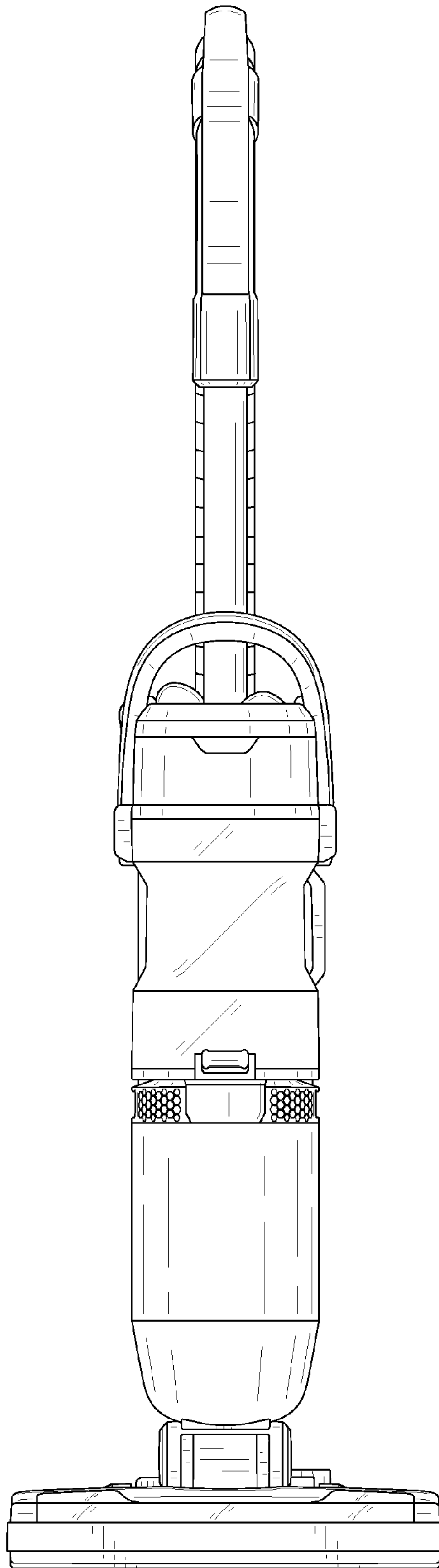


FIG.4

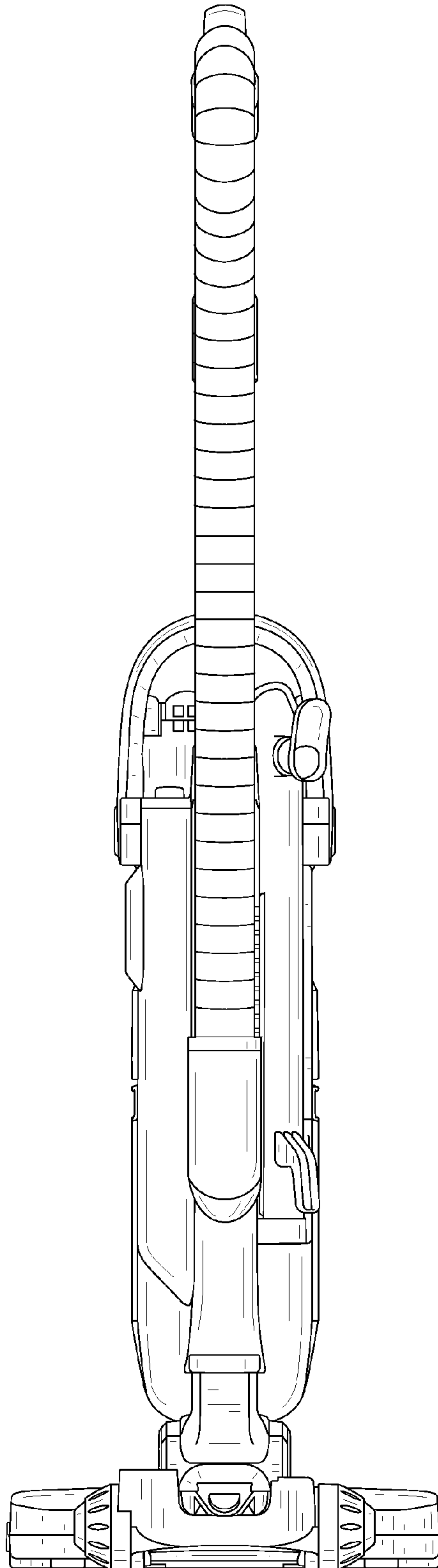


FIG.5

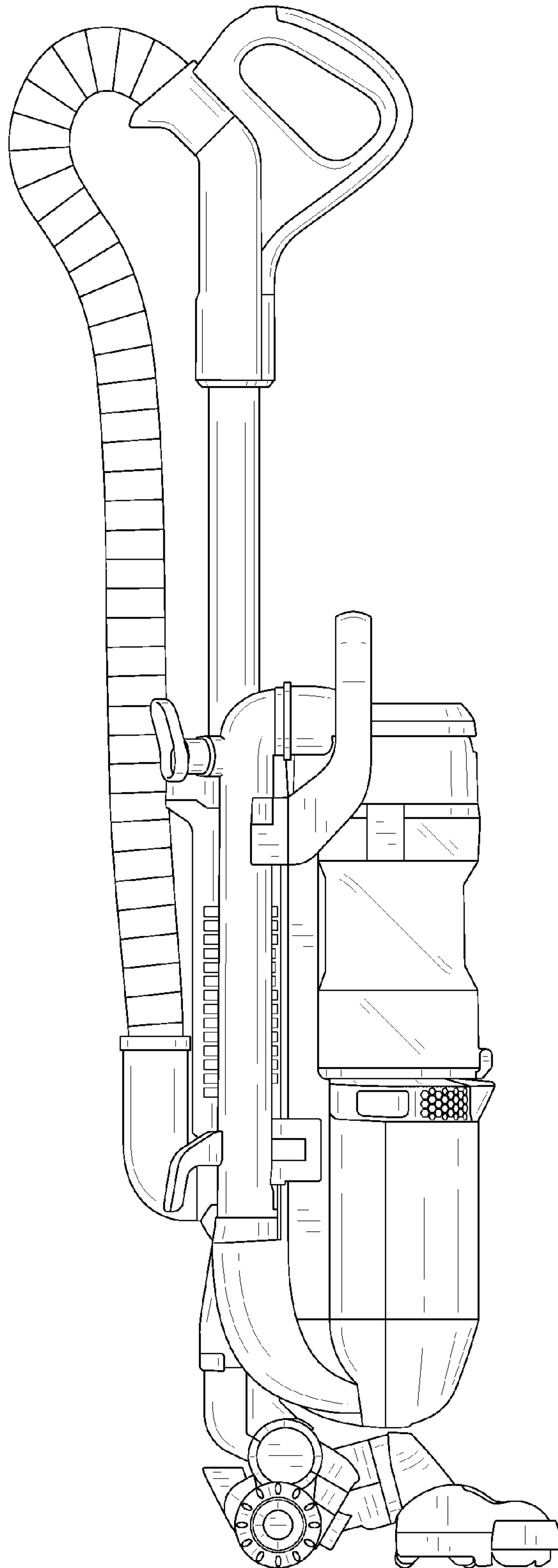


FIG.6

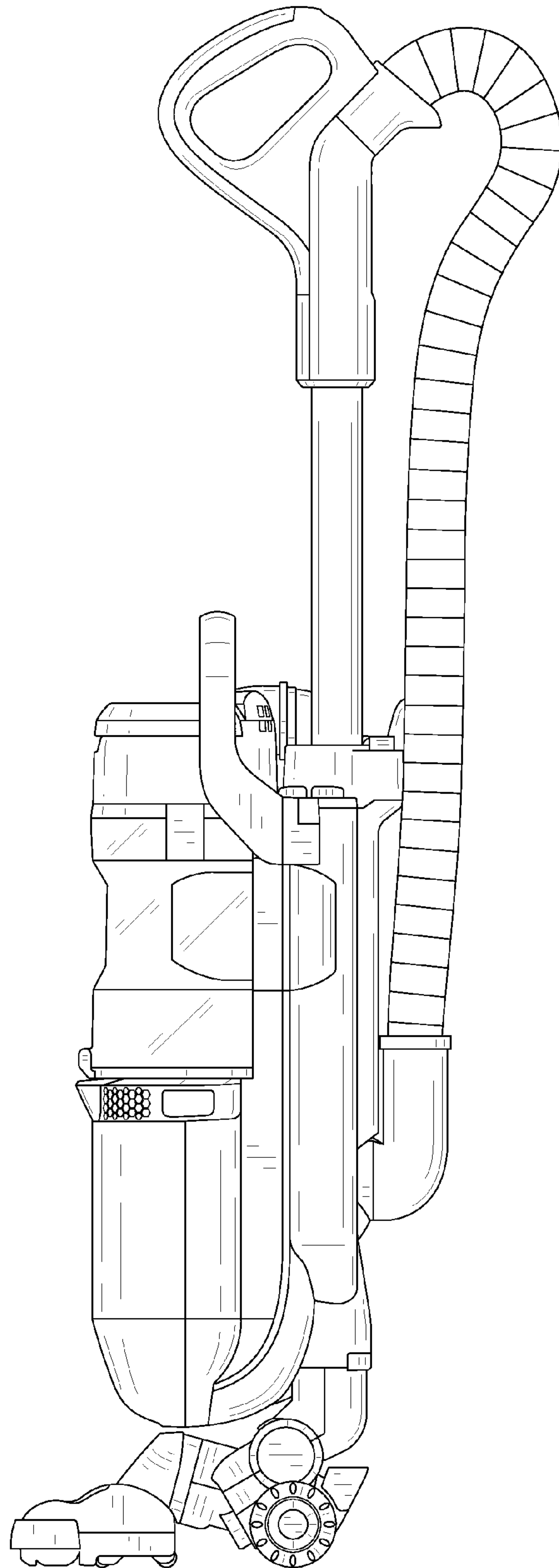


FIG.7

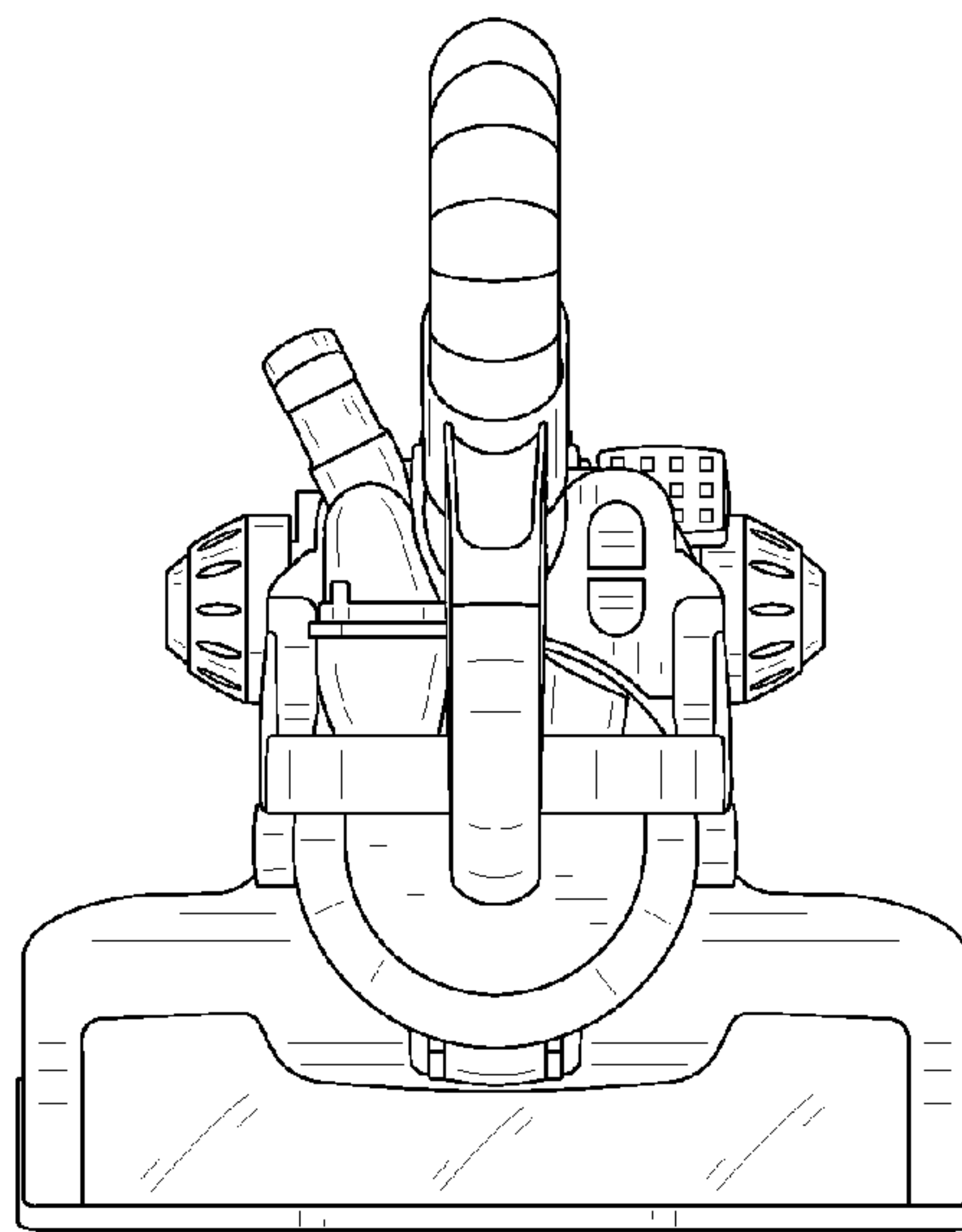


FIG.8

