



US00D684325S

(12) **United States Design Patent**  
**Newman**

(10) **Patent No.:** **US D684,325 S**  
(45) **Date of Patent:** **\*\* Jun. 11, 2013**

(54) **PLUNGER**

(76) Inventor: **Timothy M. Newman**, Dardenne Prairie,  
MO (US)

(\*\*) Term: **14 Years**

(21) Appl. No.: **29/394,068**

(22) Filed: **Jun. 13, 2011**

(51) **LOC (9) Cl.** ..... **15-05**

(52) **U.S. Cl.**  
USPC ..... **D32/14**

(58) **Field of Classification Search**  
USPC ..... D32/1, 14, 25, 35; D22/103; 42/79;  
4/255.01, 255.05, 255.11; 134/166 C, 167 C,  
134/168 C, 168 R; 15/104.05, 104.062, 104.31  
See application file for complete search history.

(56) **References Cited**

U.S. PATENT DOCUMENTS

2,195,830	A *	4/1940	Schubring	.....	4/255.11
D202,979	S *	11/1965	Krusche	.....	D32/35
D299,673	S *	1/1989	Knight	.....	D22/103
D381,147	S *	7/1997	Tash	.....	D32/35
D385,073	S *	10/1997	Tash	.....	D32/35
D387,524	S *	12/1997	Allen et al.	.....	D32/35
D416,305	S *	11/1999	Ruger et al.	.....	D22/103

6,145,135	A *	11/2000	Pool et al.	.....	4/255.09
D437,667	S *	2/2001	Hwang	.....	D32/35
D456,574	S *	4/2002	Chen	.....	D32/35
7,089,605	B2 *	8/2006	Jiang	.....	4/255.11
D531,255	S *	10/2006	Garrett et al.	.....	D22/103
D638,086	S *	5/2011	Salva	.....	D22/103
D671,182	S *	11/2012	Klotz	.....	D22/103
D678,453	S *	3/2013	Klotz	.....	D22/103
2010/0077541	A1 *	4/2010	Stein	.....	4/255.11

\* cited by examiner

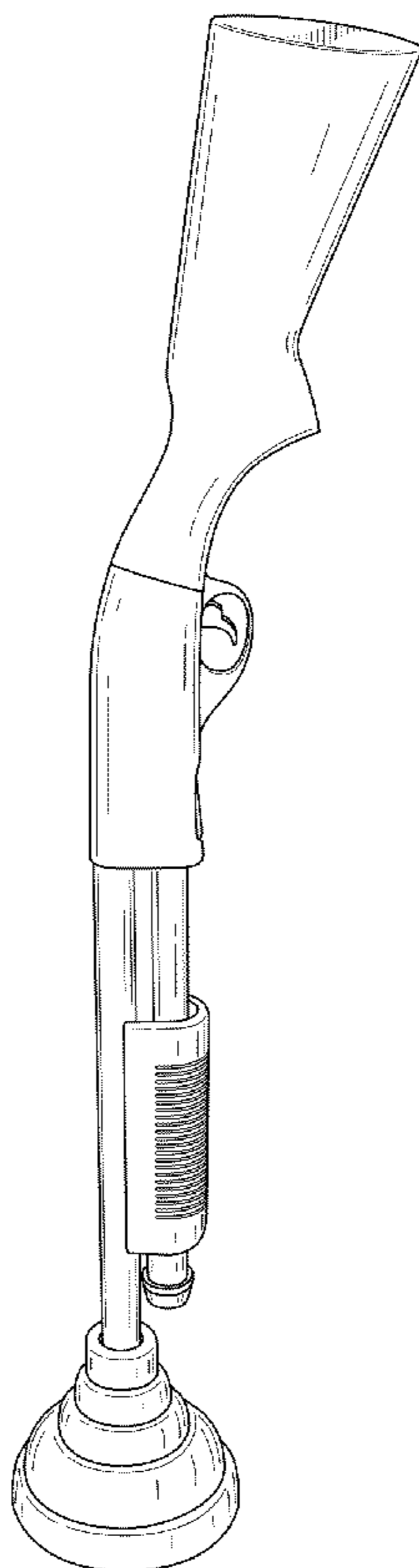
*Primary Examiner* — T. Chase Nelson  
*Assistant Examiner* — Kathleen M Sims  
(74) *Attorney, Agent, or Firm* — Brett D. Papendick;  
Shuttleworth & Ingersoll, PLC

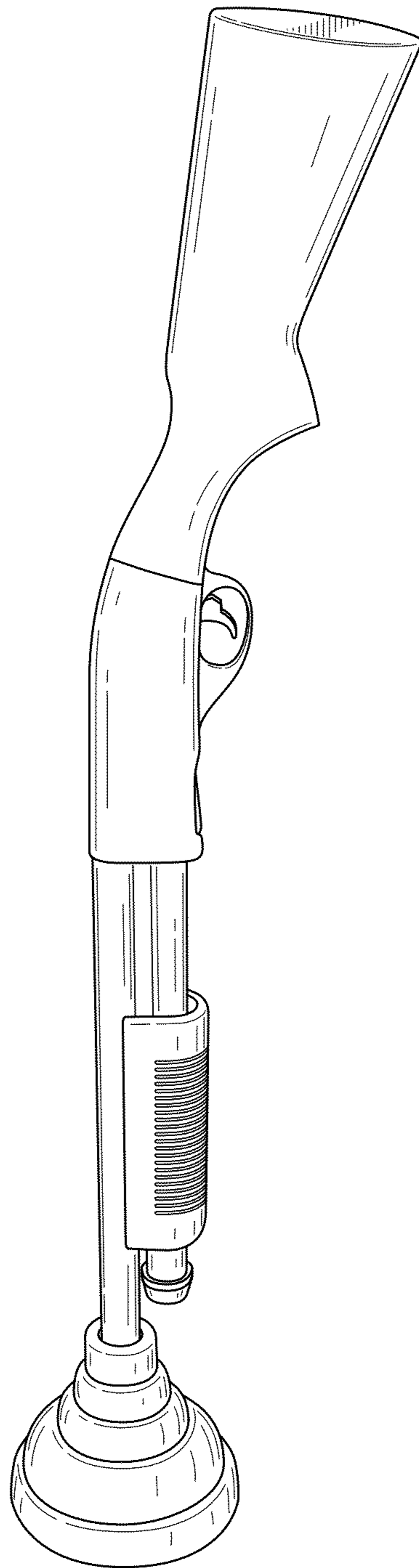
(57) **CLAIM**  
The ornamental design for a plunger, as shown and described.

**DESCRIPTION**

FIG. 1 is a perspective view of the plunger showing my new design;  
FIG. 2 is a left side view thereof;  
FIG. 3 is a right side view thereof;  
FIG. 4 is a top view thereof;  
FIG. 5 is a bottom view thereof;  
FIG. 6 is a front view thereof; and,  
FIG. 7 is a back view thereof.

**1 Claim, 6 Drawing Sheets**





**FIG. 1**

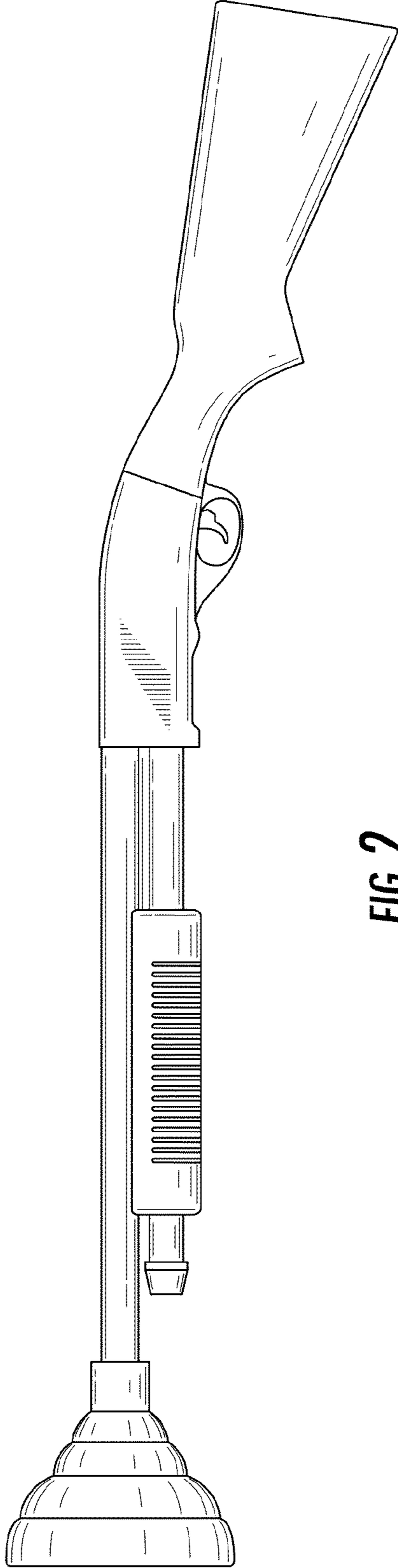


FIG. 2

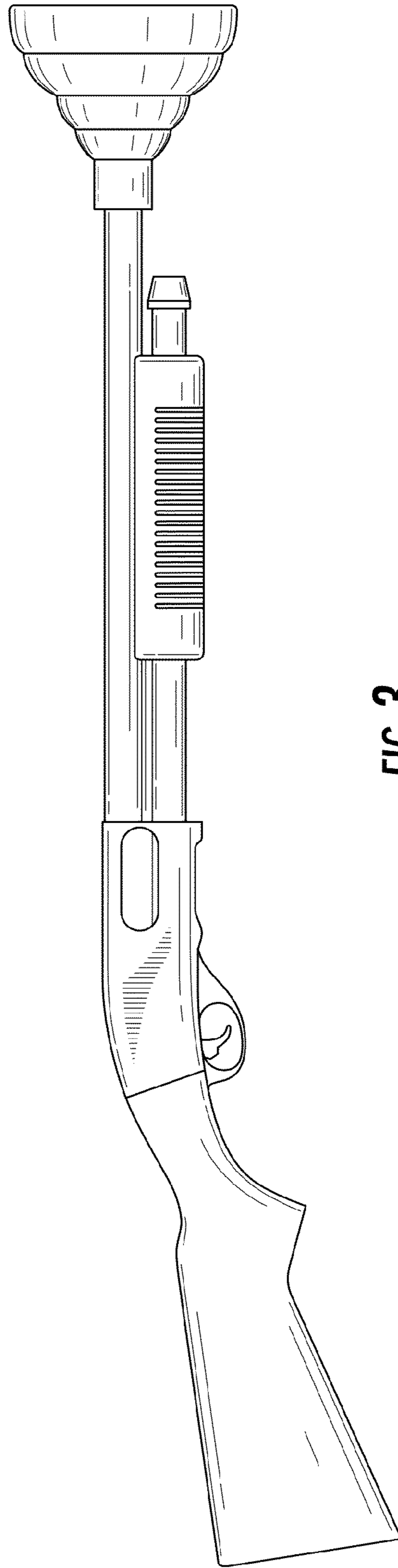


FIG. 3

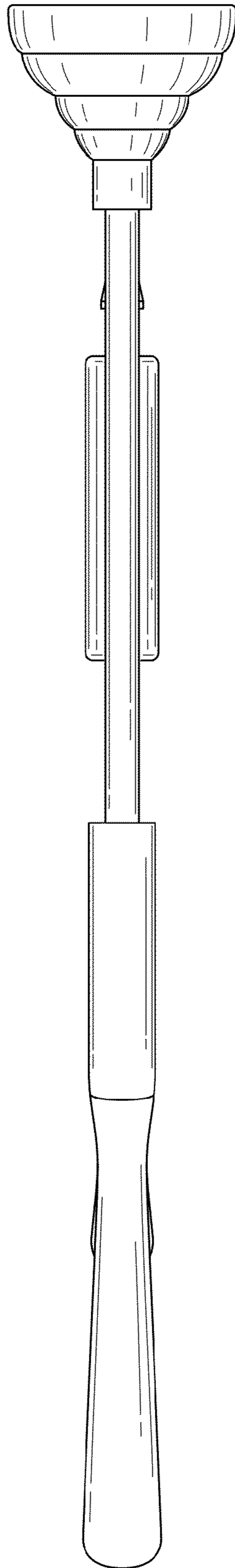


FIG. 4

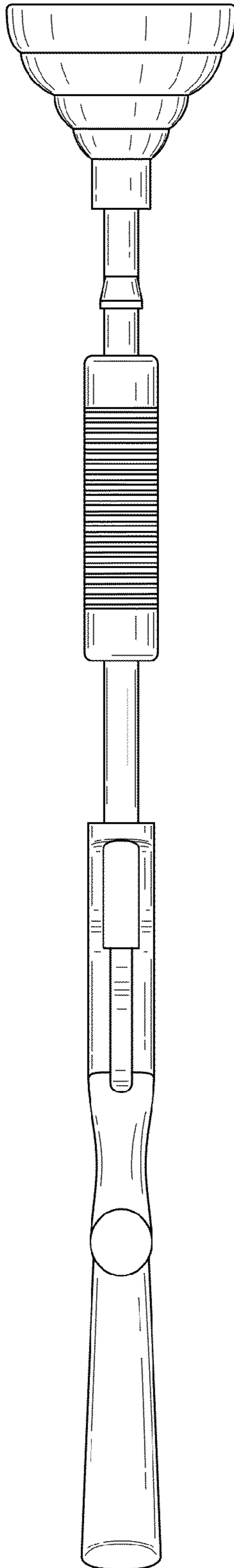
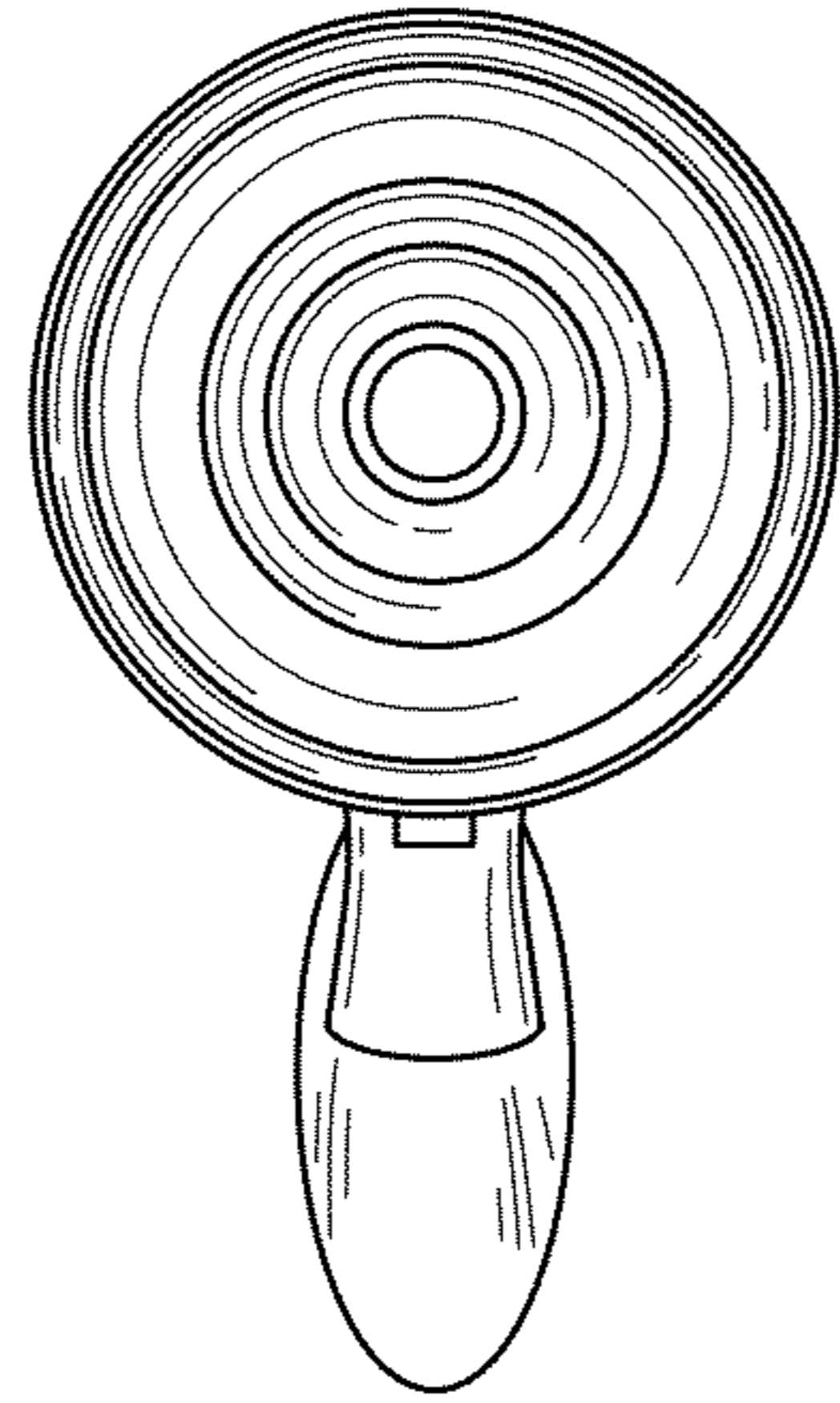
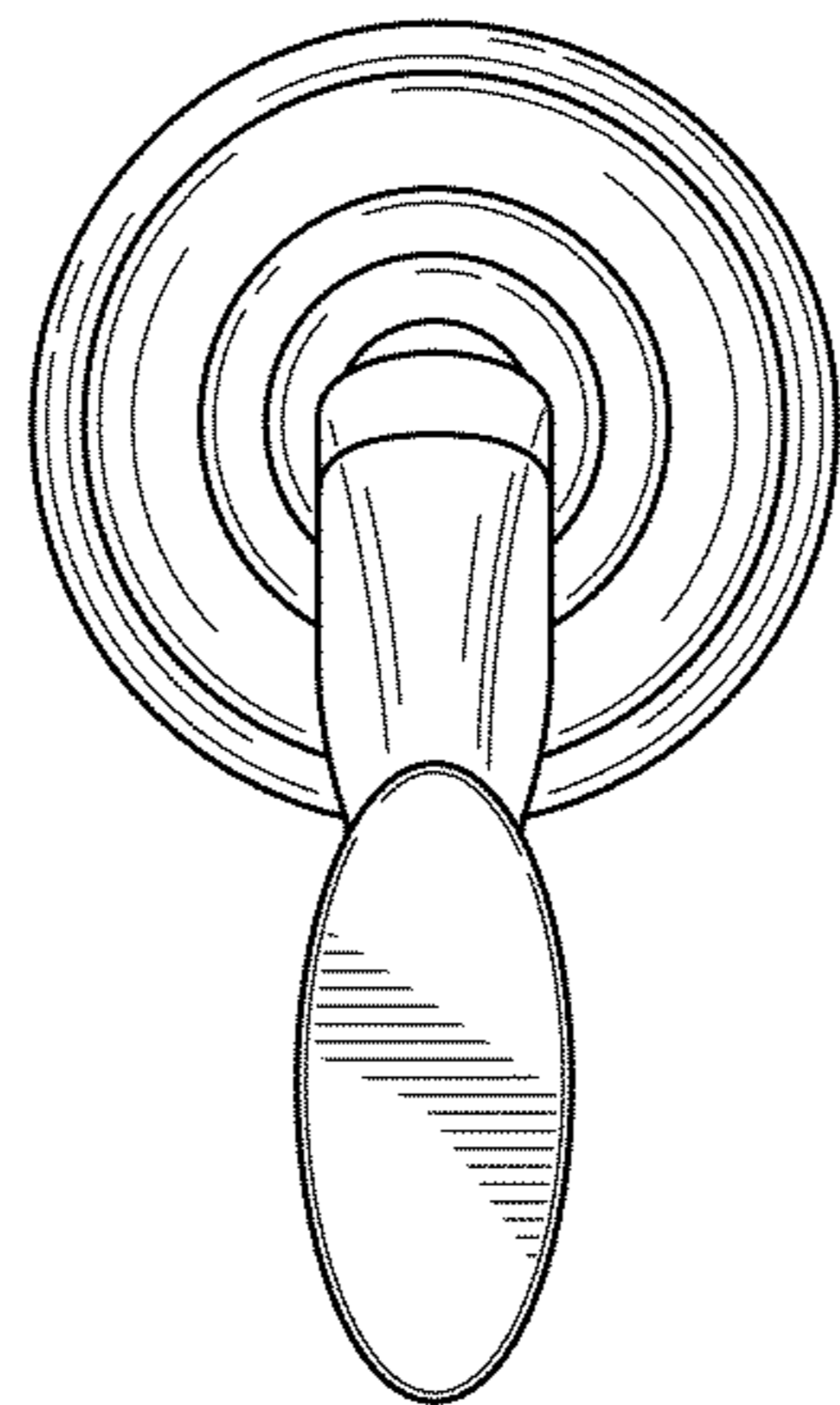


FIG. 5



**FIG. 6**



**FIG. 7**