



US00D684322S

(12) **United States Design Patent**
Shim

(10) **Patent No.:** **US D684,322 S**

(45) **Date of Patent:** **** *Jun. 11, 2013**

(54) **HYGIENE MASK**

(76) Inventor: **Kyu-Sung Shim**, Bucheon-si (KR)

(*) Notice: This patent is subject to a terminal disclaimer.

(**) Term: **14 Years**

(21) Appl. No.: **29/358,517**

(22) Filed: **Mar. 29, 2010**

(30) **Foreign Application Priority Data**

Feb. 9, 2010 (KR) 30-2010-0005751

(51) **LOC (9) Cl.** **29-02**

(52) **U.S. Cl.**
USPC **D29/110; D24/110.2**

(58) **Field of Classification Search**
USPC D24/110, 110.1, 110.2; D29/102–110,
D29/122; 128/205.25, 206.11, 206.12, 206.13,
128/206.19, 206.23, 206.24; 2/9, 174
See application file for complete search history.

(56) **References Cited**

U.S. PATENT DOCUMENTS

D31,395	S	*	8/1899	Geraghty	D29/108
704,311	A	*	7/1902	Galley	2/174
3,491,372	A	*	1/1970	Jackson	2/9
D287,300	S	*	12/1986	Lonnstedt	D29/110
5,020,533	A	*	6/1991	Hubbard et al.	128/206.23
D327,141	S	*	6/1992	Hubbard et al.	D24/110.2
D355,714	S	*	2/1995	Hubbard et al.	D24/110.2
D361,160	S	*	8/1995	Russell	D29/110
D362,086	S	*	9/1995	Russell	D29/110

D366,697	S	*	1/1996	Drummond	D24/110.2
5,682,879	A	*	11/1997	Bowers	128/206.19
D400,674	S	*	11/1998	Miura	D24/110.1
D404,847	S	*	1/1999	Varney	D29/108
D420,769	S	*	2/2000	White	D29/108
D454,976	S	*	3/2002	Recupido	D28/9
6,375,865	B1	*	4/2002	Paulson et al.	252/500
D526,446	S	*	8/2006	Cowan et al.	D29/109
D548,893	S	*	8/2007	Hedge et al.	D29/122
D563,603	S	*	3/2008	Huh et al.	D29/122
D611,659	S	*	3/2010	Isobe	D29/122
7,802,572	B2	*	9/2010	Hahne	128/206.19
D631,612	S	*	1/2011	Tajima	D29/102

* cited by examiner

Primary Examiner — Susan E Krakower

(74) *Attorney, Agent, or Firm* — IP Legal Services, LLC

(57) **CLAIM**

The ornamental design for a “hygiene mask,” as shown and described.

DESCRIPTION

FIG. 1 is a perspective view of a hygiene mask; FIG. 2 is a front elevation view of the hygiene mask; FIG. 3 is a rear elevation view of the hygiene mask; FIG. 4 is a left elevation view of the hygiene mask; FIG. 5 is a right elevation view of the hygiene mask; FIG. 6 is a top plan view of the hygiene mask; FIG. 7 is a bottom plan view of the hygiene mask; and, FIG. 8 is a right elevation view of the hygiene mask illustrating a user wearing the hygiene mask. The broken lines show environmental subject matter and form no part of the claimed design.

1 Claim, 8 Drawing Sheets

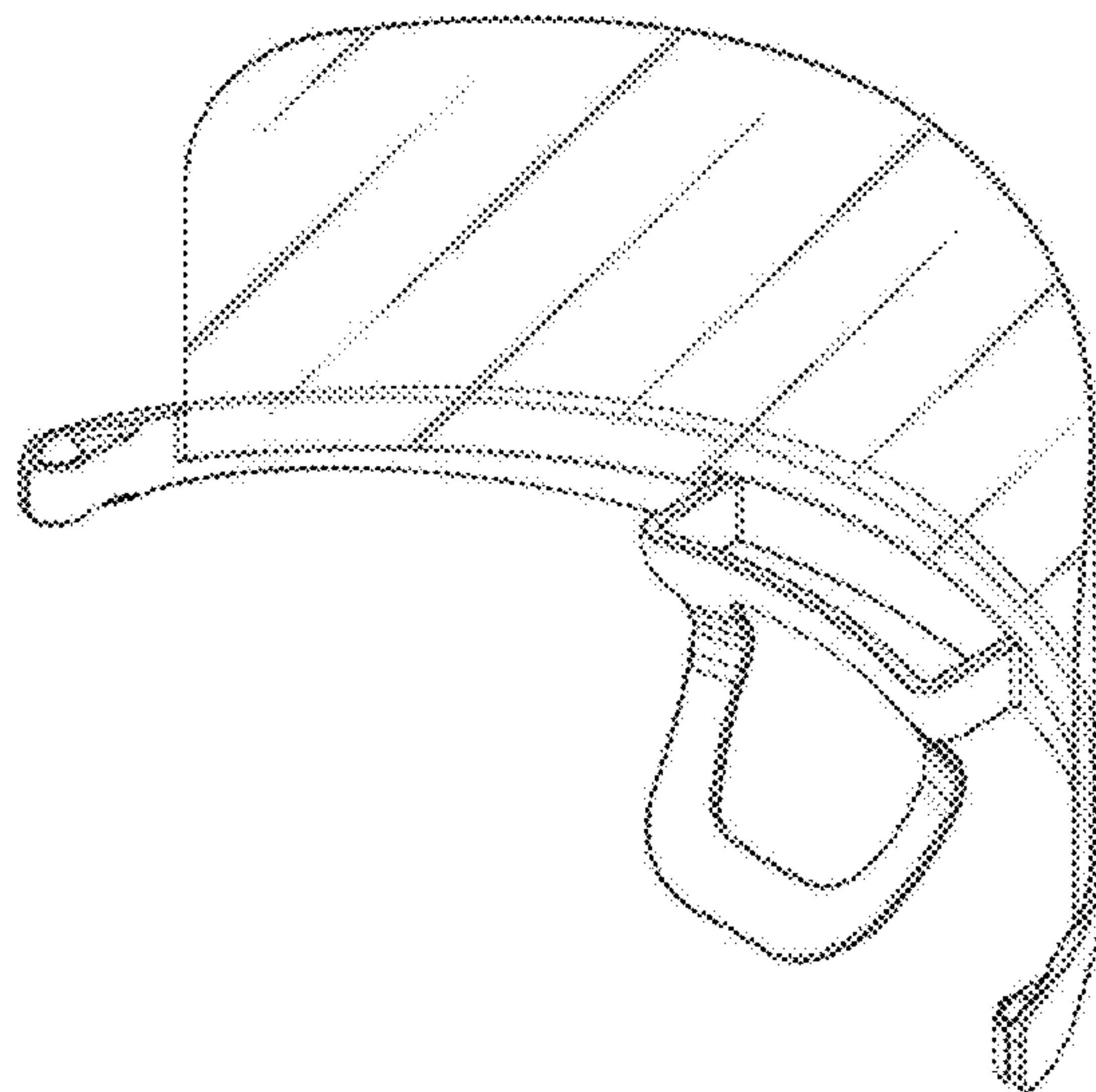


FIG. 1

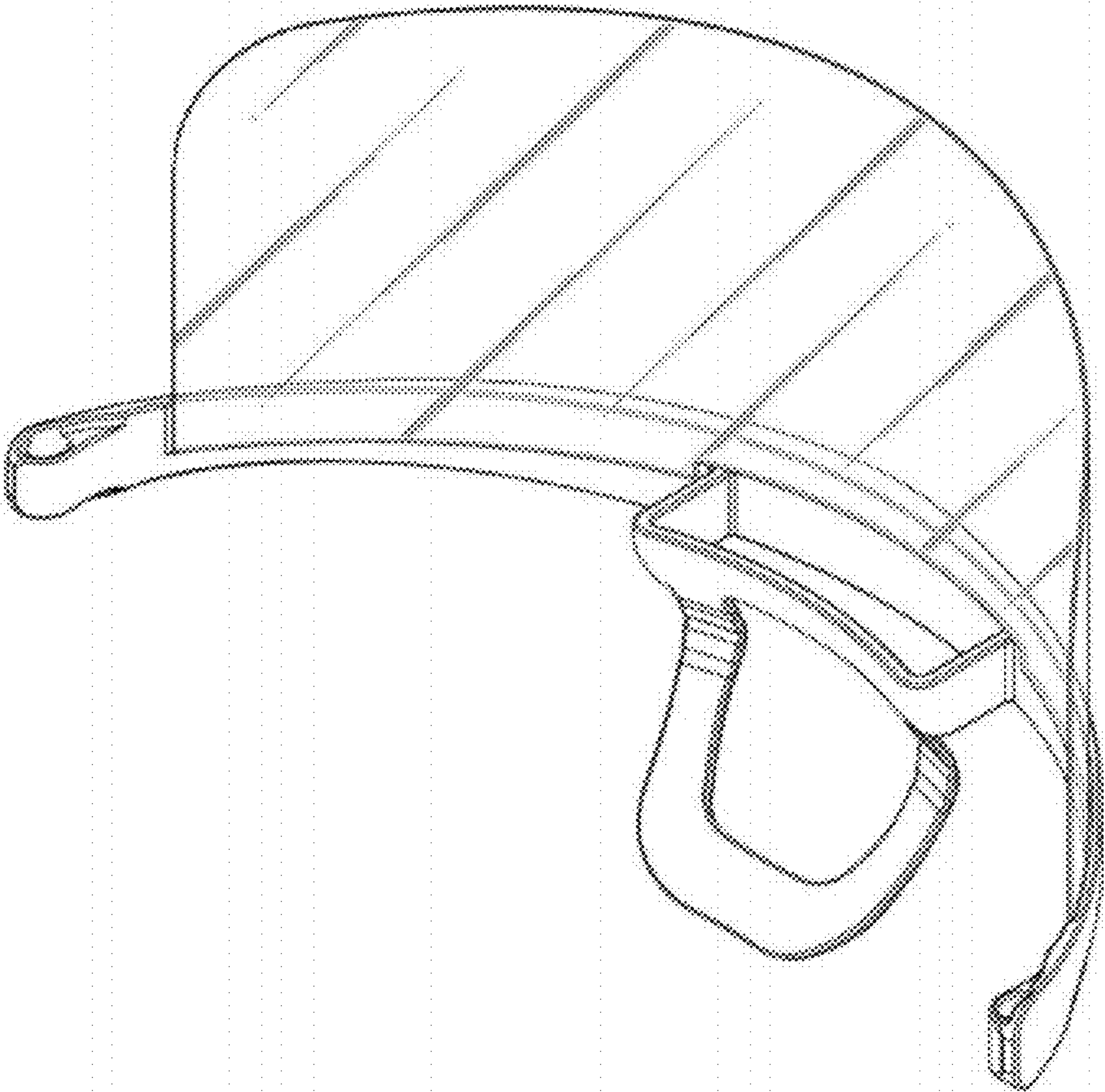


FIG. 2

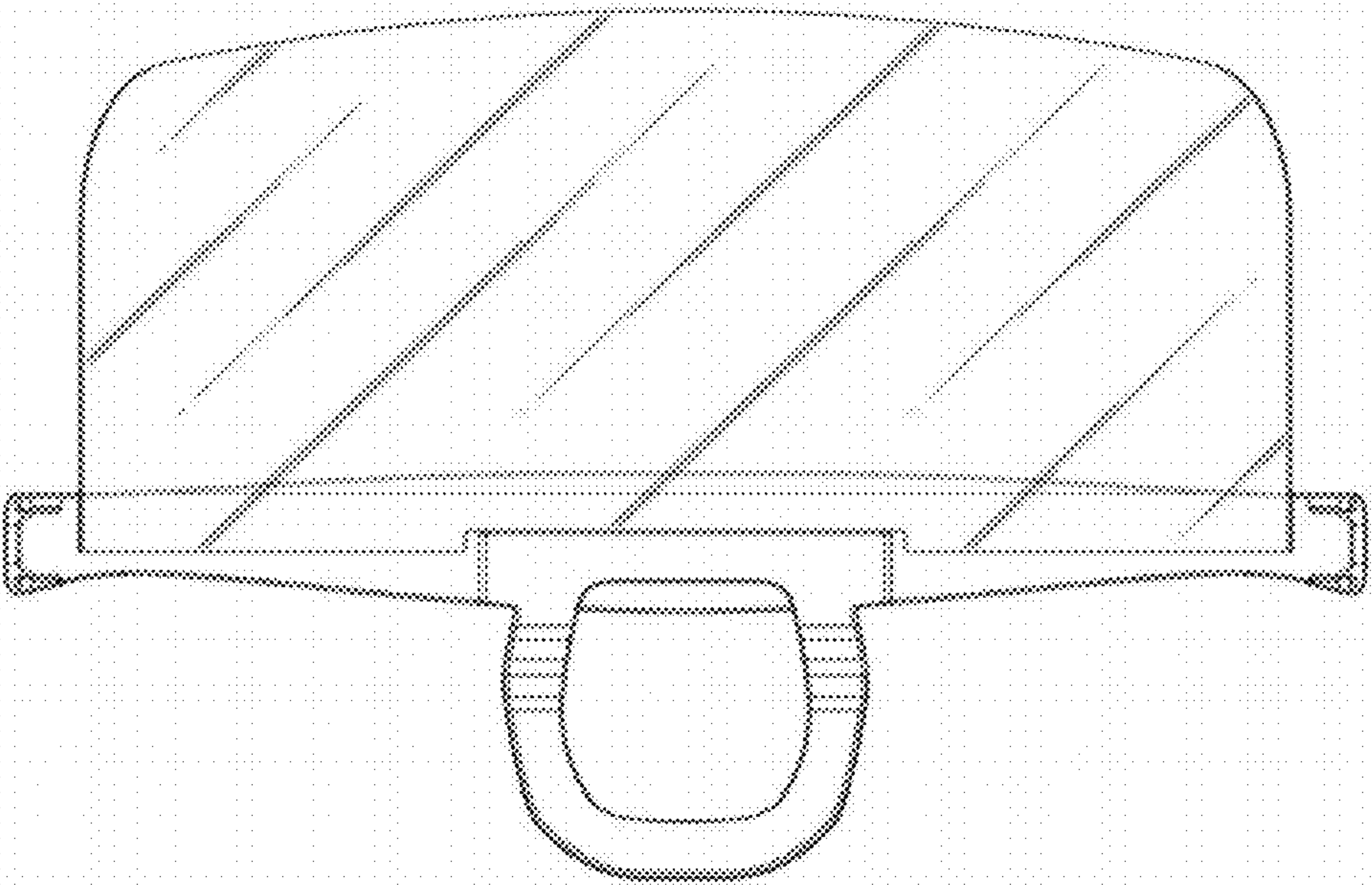


FIG. 3

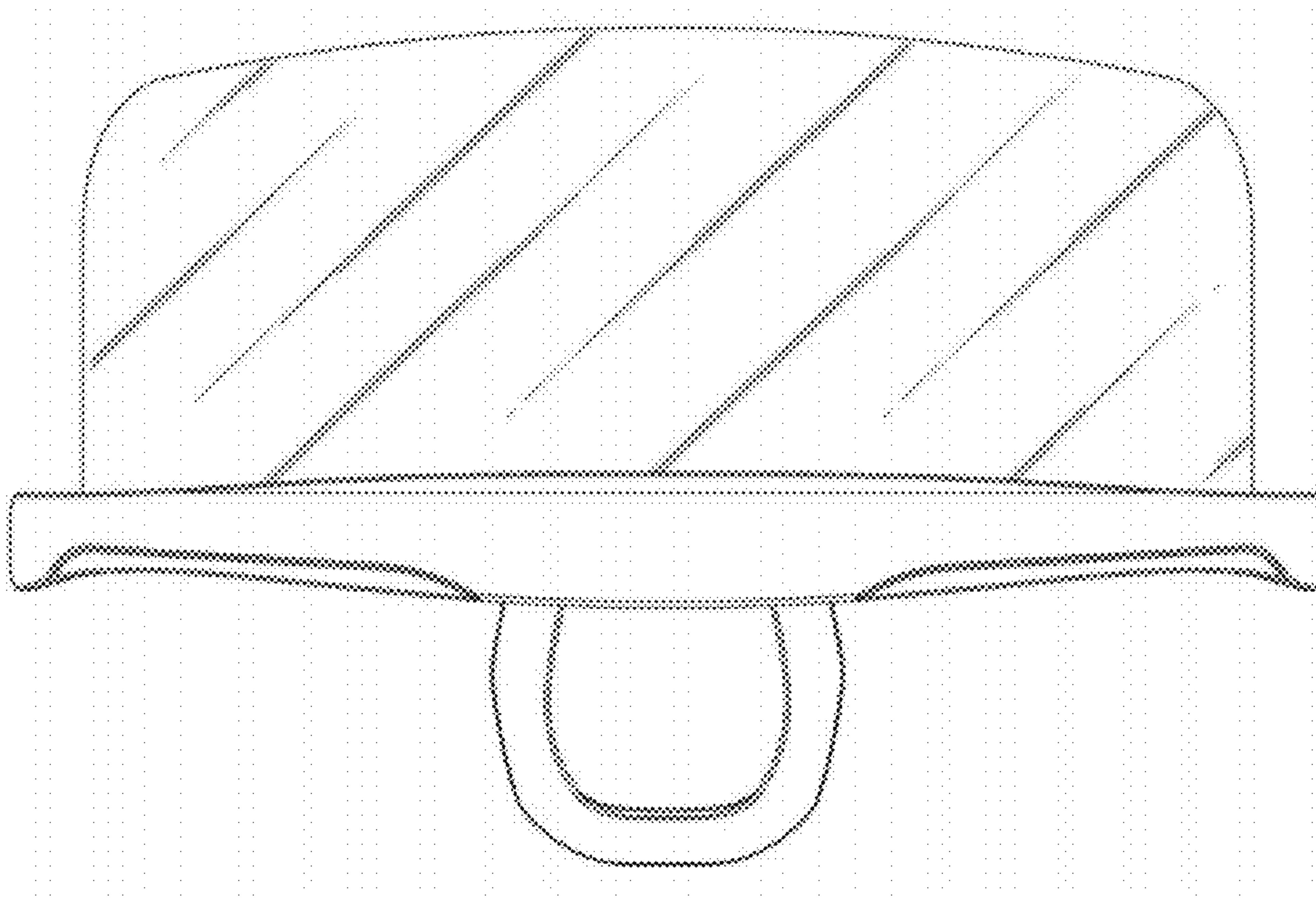


FIG. 4

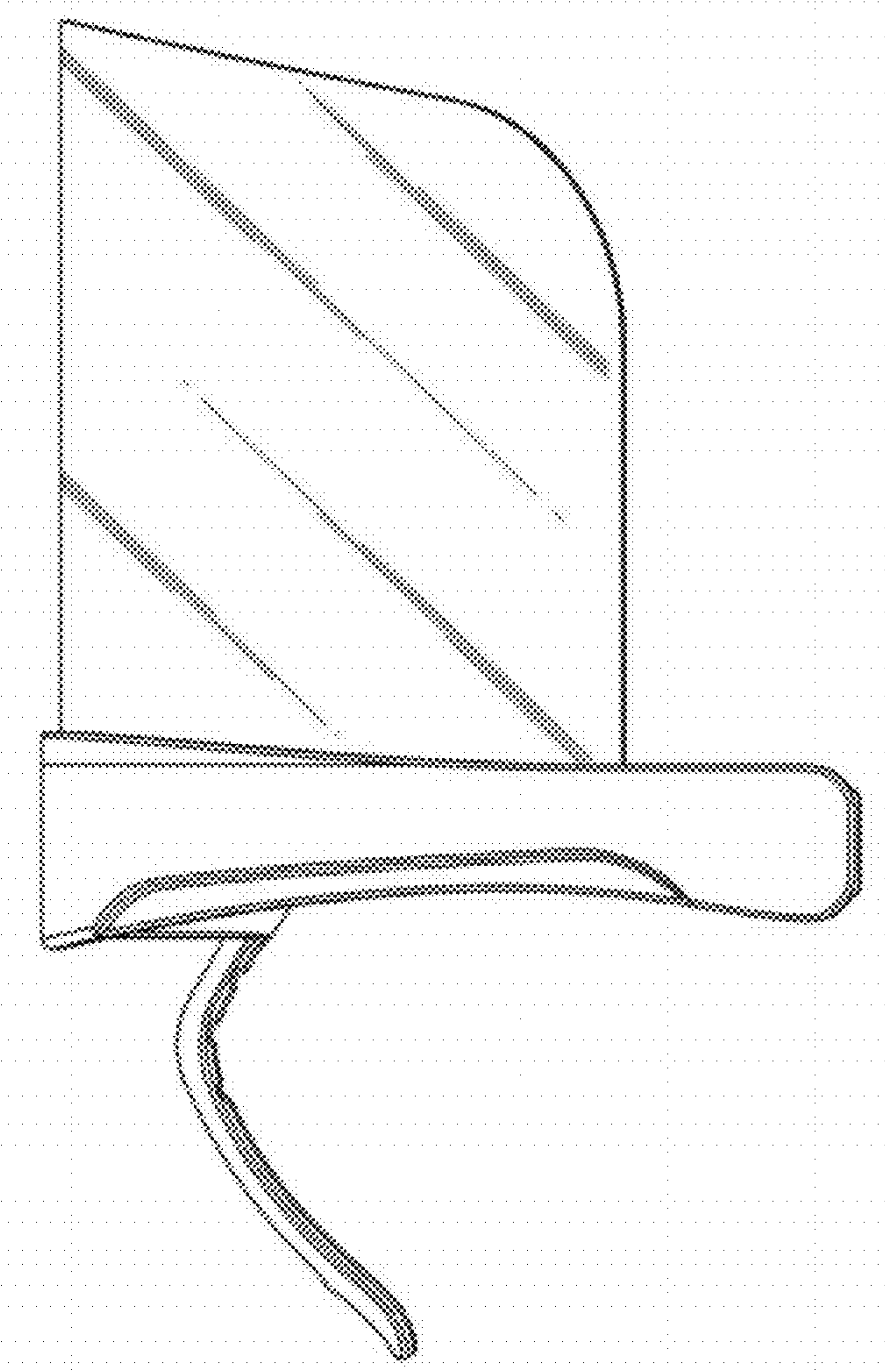


FIG. 5

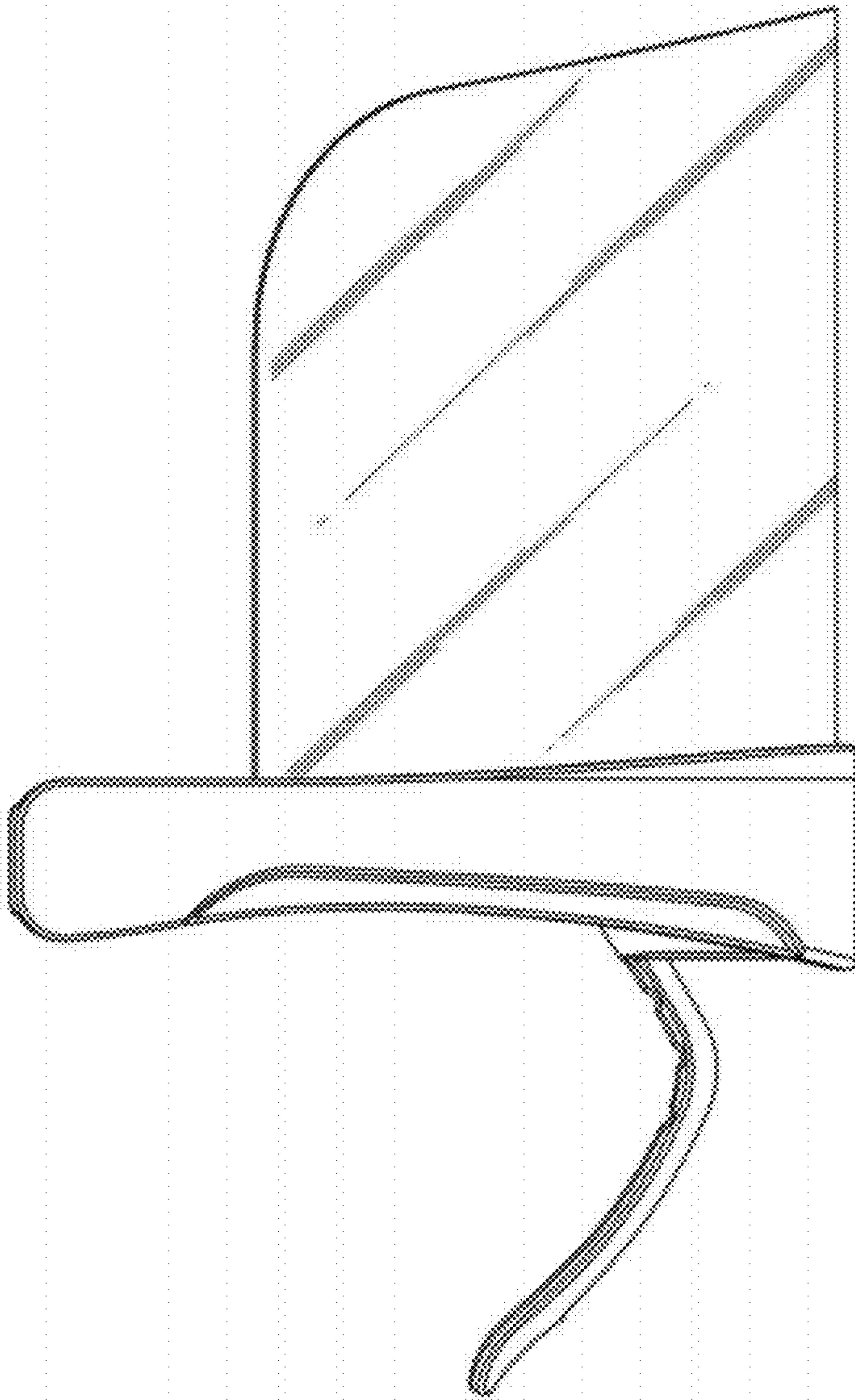


FIG. 6

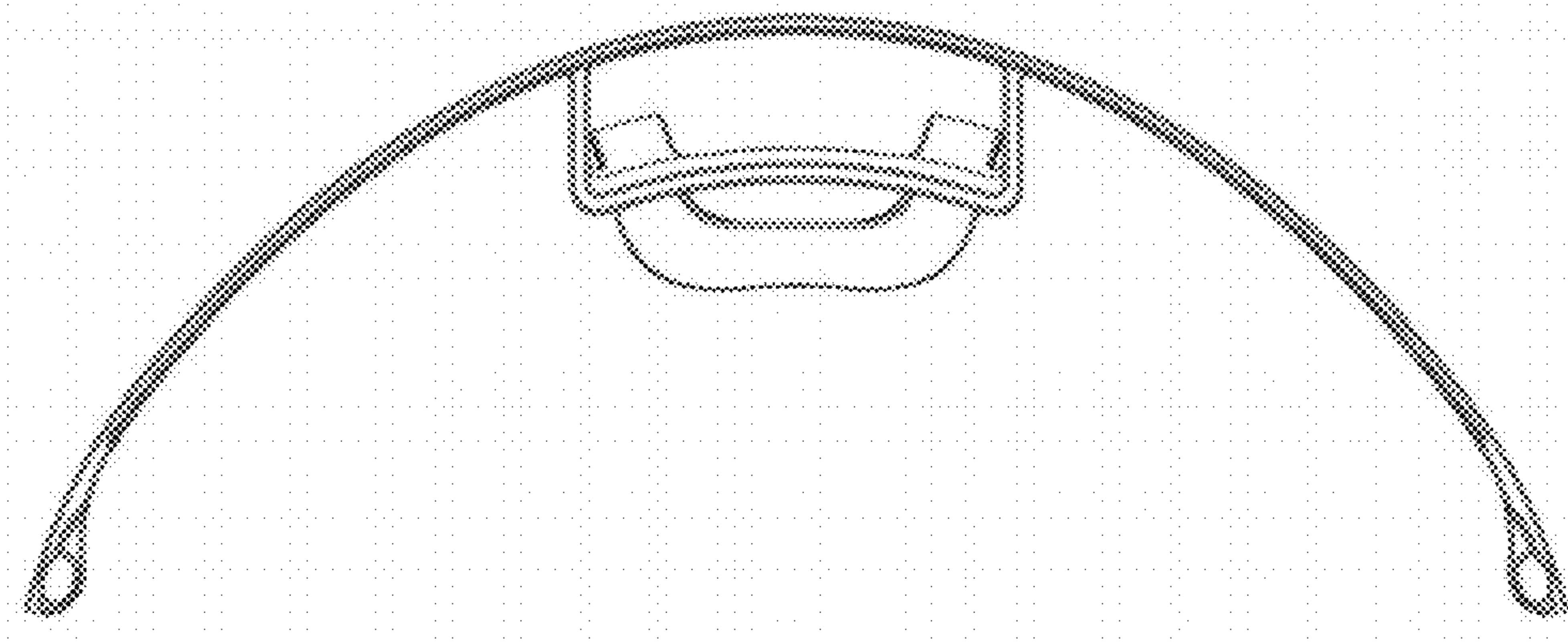


FIG. 7

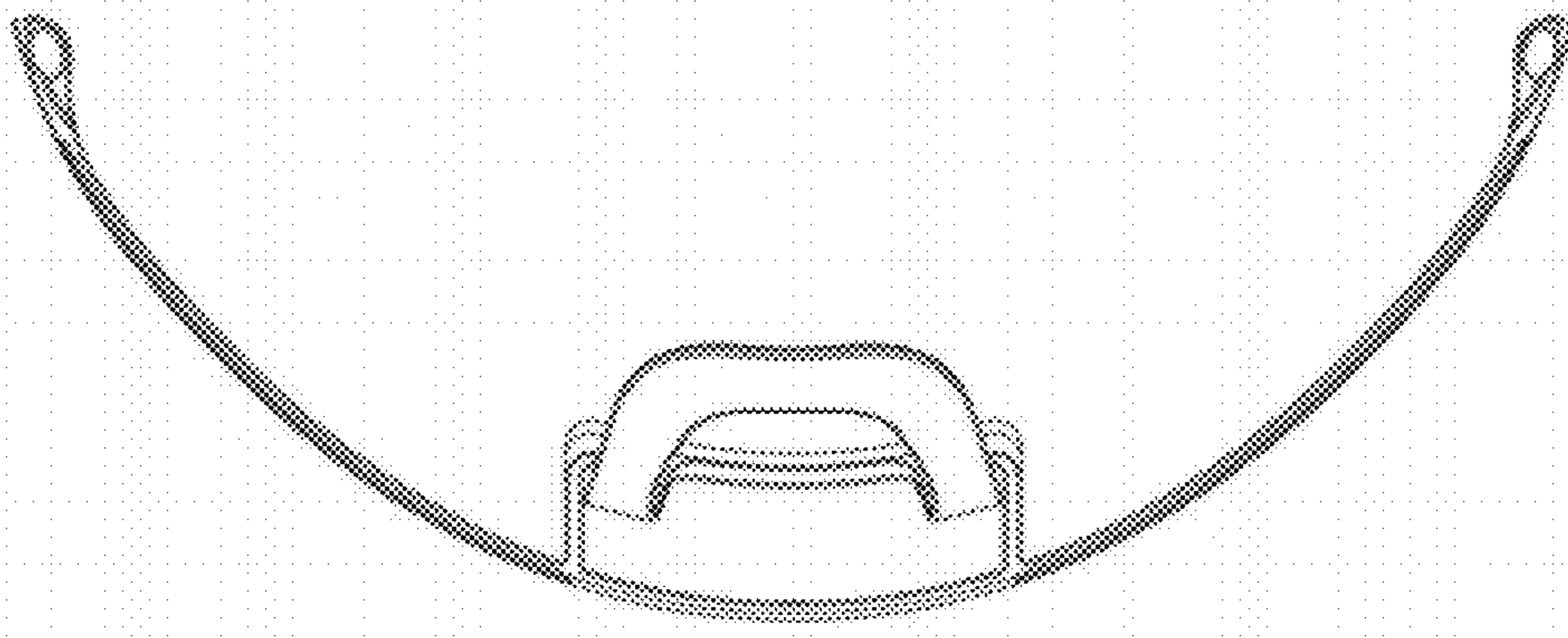


FIG. 8

