



US00D684318S

(12) **United States Design Patent**
Broen et al.

(10) **Patent No.:** **US D684,318 S**
(45) **Date of Patent:** **** Jun. 11, 2013**

(54) **SURGICAL CLIPPER**

Primary Examiner — Jennifer Rivard

(75) Inventors: **Martin E. Broen**, Milan (IT); **Johannes Bayer**, Balgach (CH)

(74) *Attorney, Agent, or Firm* — Thomas M. Spielbauer

(73) Assignee: **3M Innovative Properties Company**, St. Paul, MN (US)

(57) **CLAIM**

The ornamental design for a surgical clipper, as shown and described.

(**) Term: **14 Years**

(21) Appl. No.: **29/416,822**

(22) Filed: **Mar. 27, 2012**

DESCRIPTION

(51) **LOC (9) Cl.** **28-03**

(52) **U.S. Cl.**
USPC **D28/54**

(58) **Field of Classification Search**
USPC D28/44, 44.1, 49–54; 30/34.05, 34.1, 30/34.2, 43–43.92, 526, 527, 44–45, 341, 30/195–223, 272.1, 226–227, 231, 233–233.5
See application file for complete search history.

FIG. 1 is a perspective view showing the new design for a surgical clipper.
FIG. 2 is a right side view thereof, the left side view being a mirror image thereof;
FIG. 3 is a top view thereof;
FIG. 4 is a bottom view thereof;
FIG. 5 is a front view thereof; and
FIG. 6 is a rear view thereof; and,
FIG. 7 is a second perspective view thereof.

(56) **References Cited**

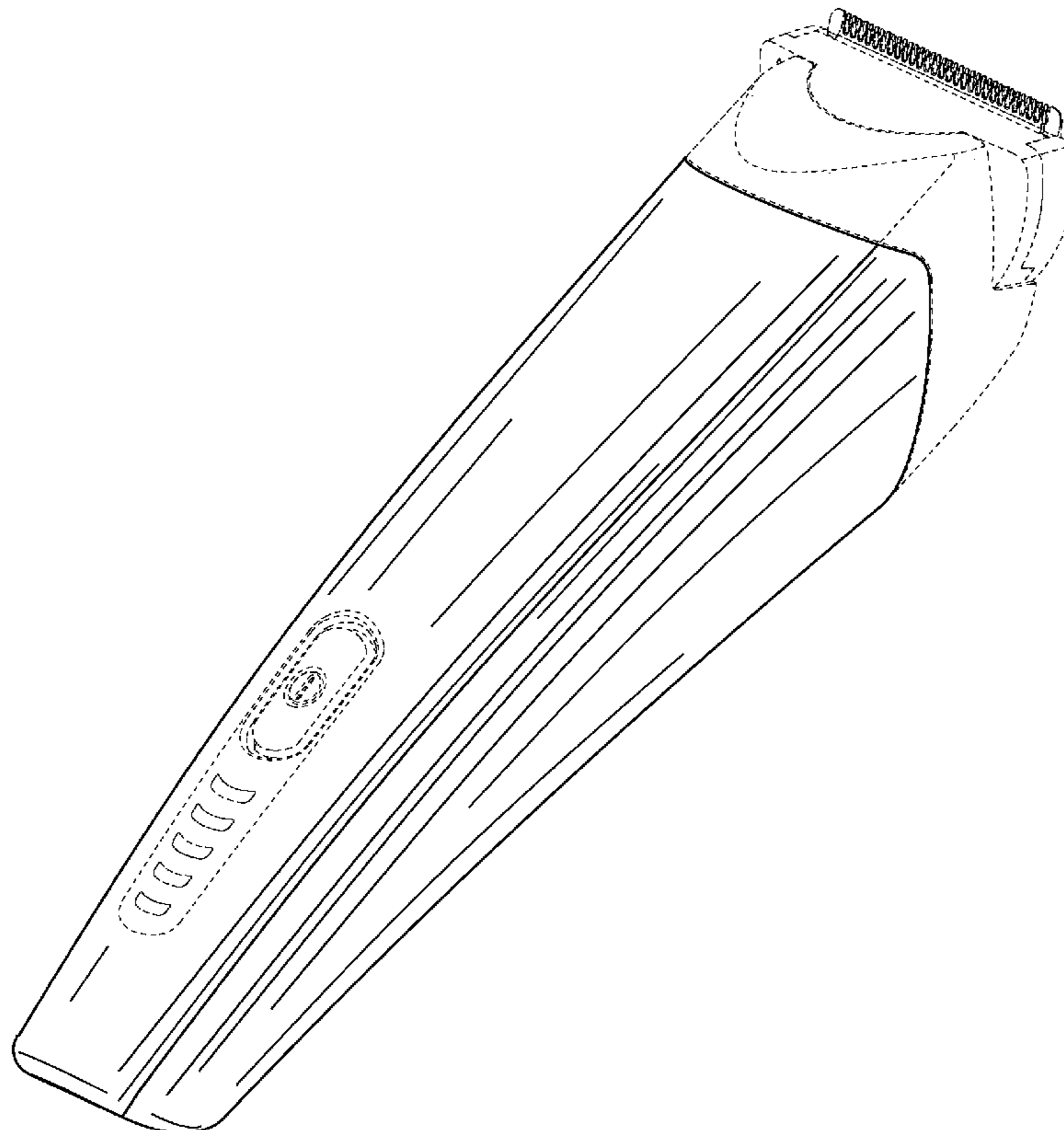
U.S. PATENT DOCUMENTS

D555,285 S	*	11/2007	Long et al.	D28/53
D600,409 S	*	9/2009	Klein	D28/53
D623,354 S	*	9/2010	Schwer et al.	D28/53
D628,744 S	*	12/2010	Goetschi	D28/53

The broken lines in the drawings are shown for illustrative purposes only and form no part of the claimed design. In addition, the surface shading illustrated in the drawings is provided merely to highlight the contour of the design; it is not intended to be illustrative of texture or gloss.

* cited by examiner

1 Claim, 5 Drawing Sheets



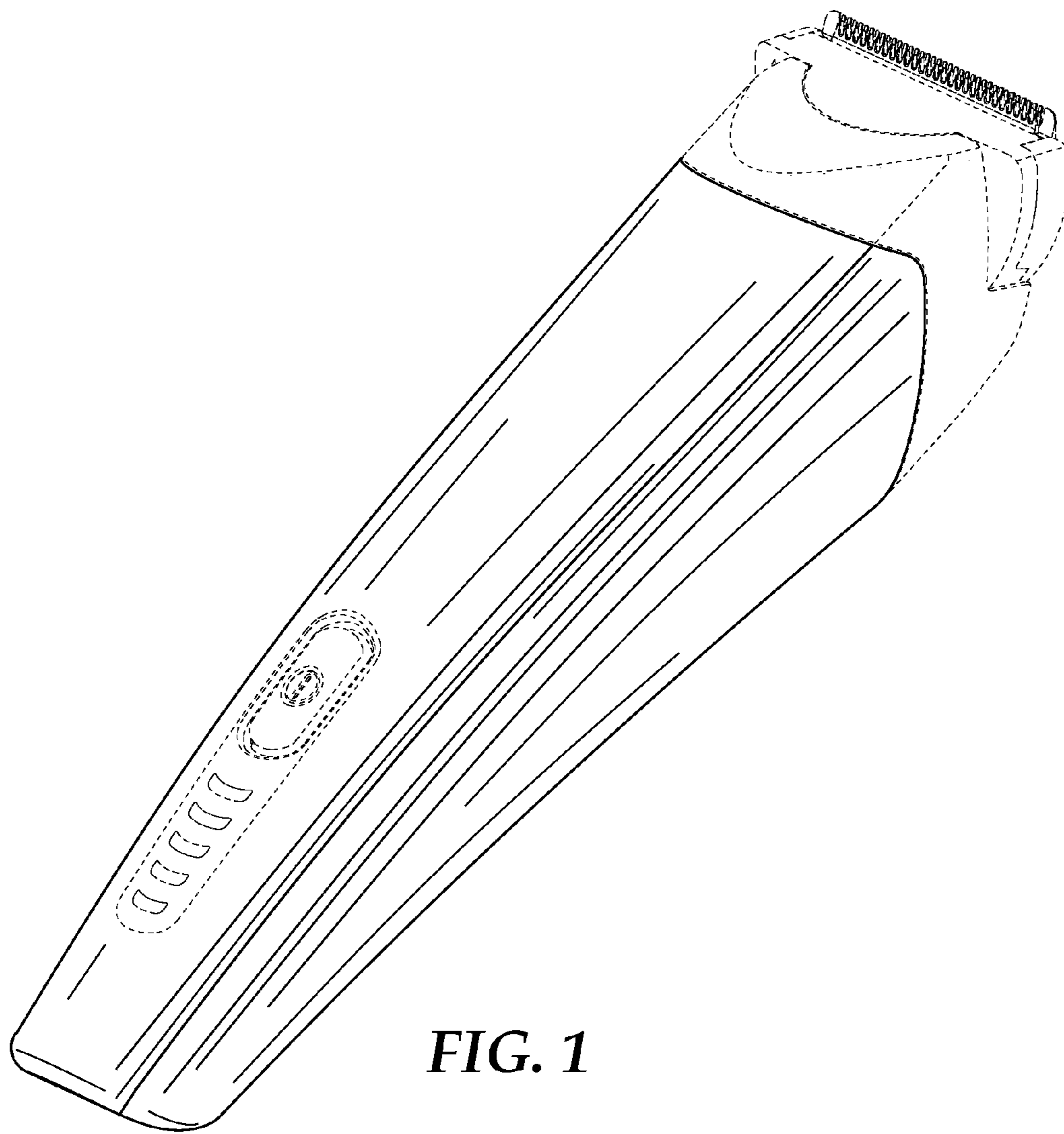


FIG. 1

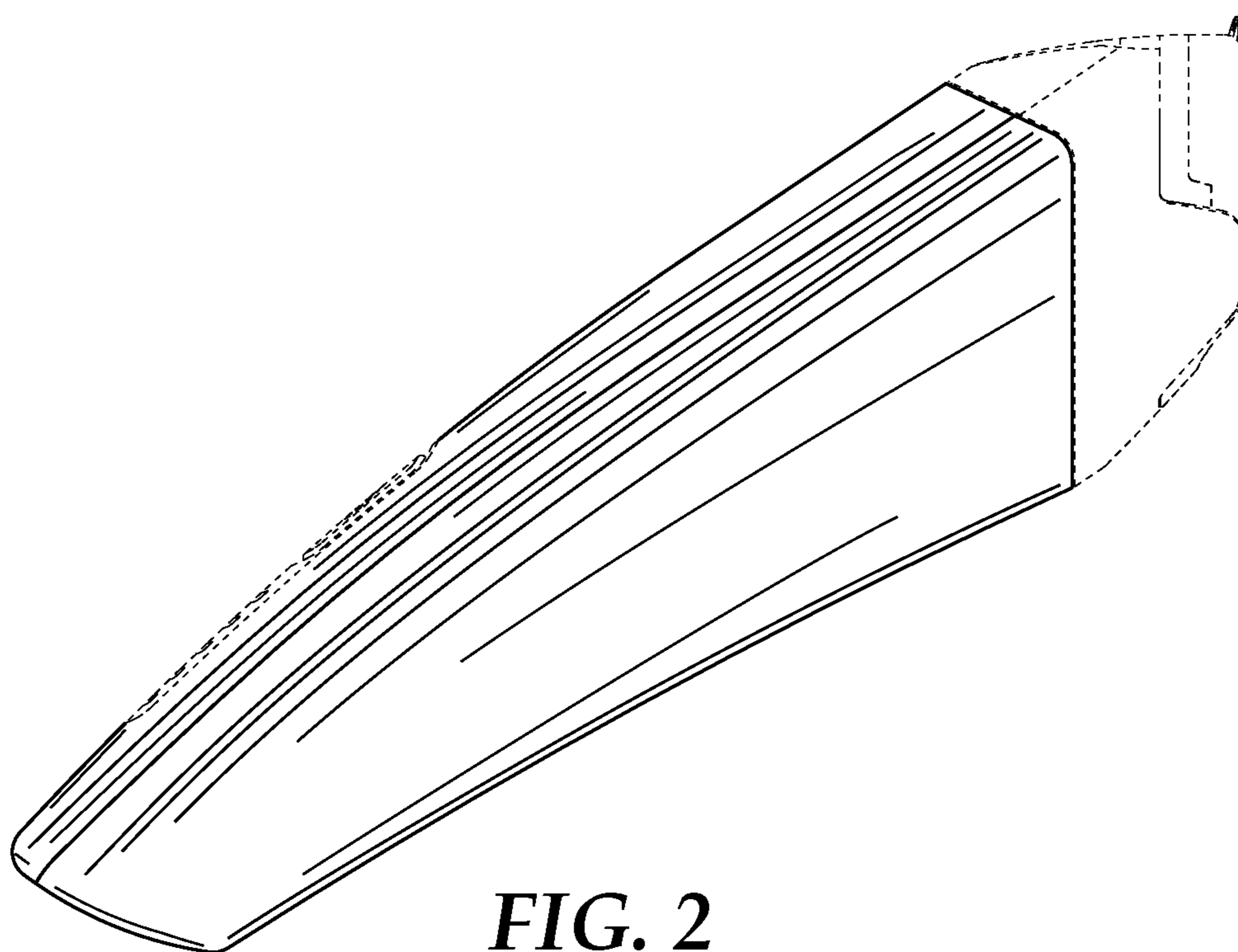


FIG. 2

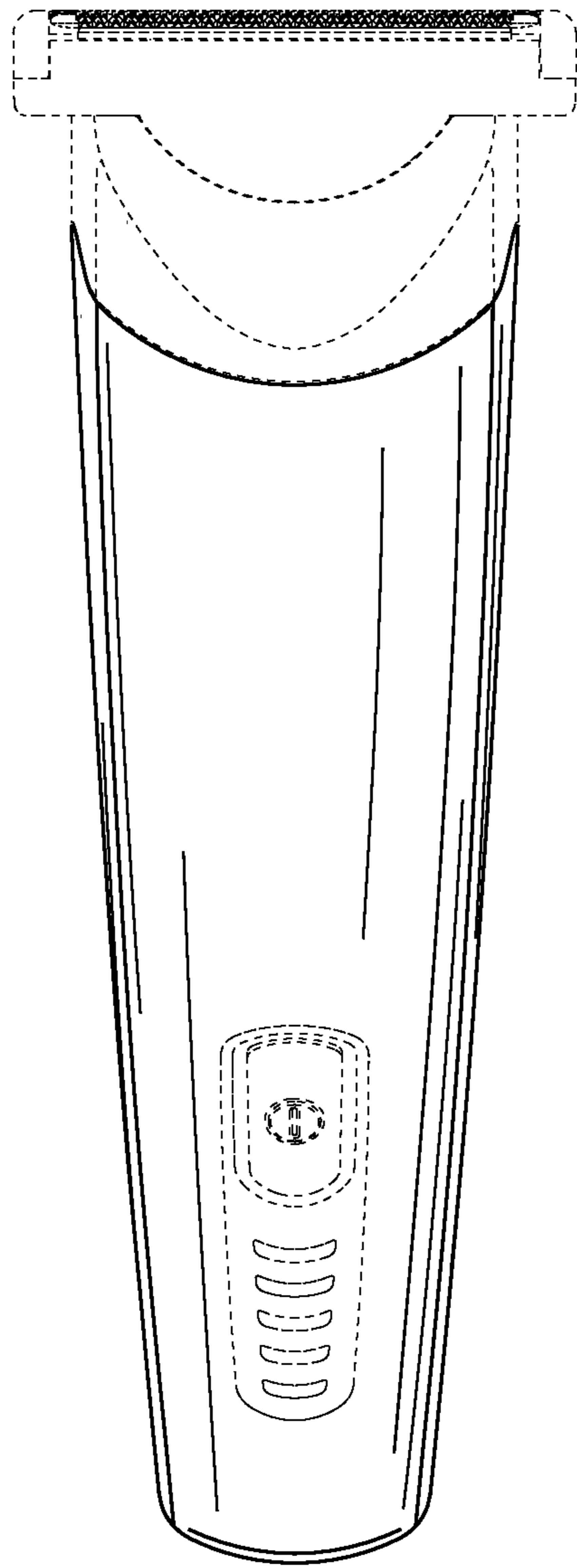


FIG. 3

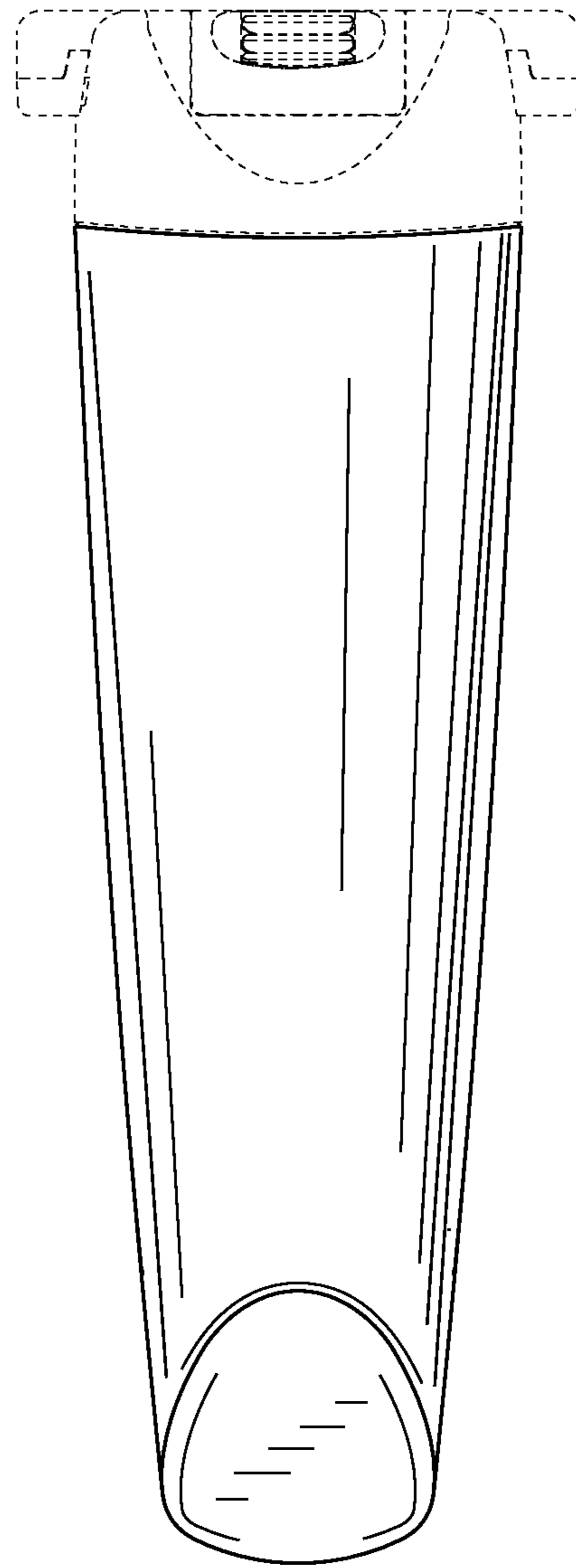


FIG. 4

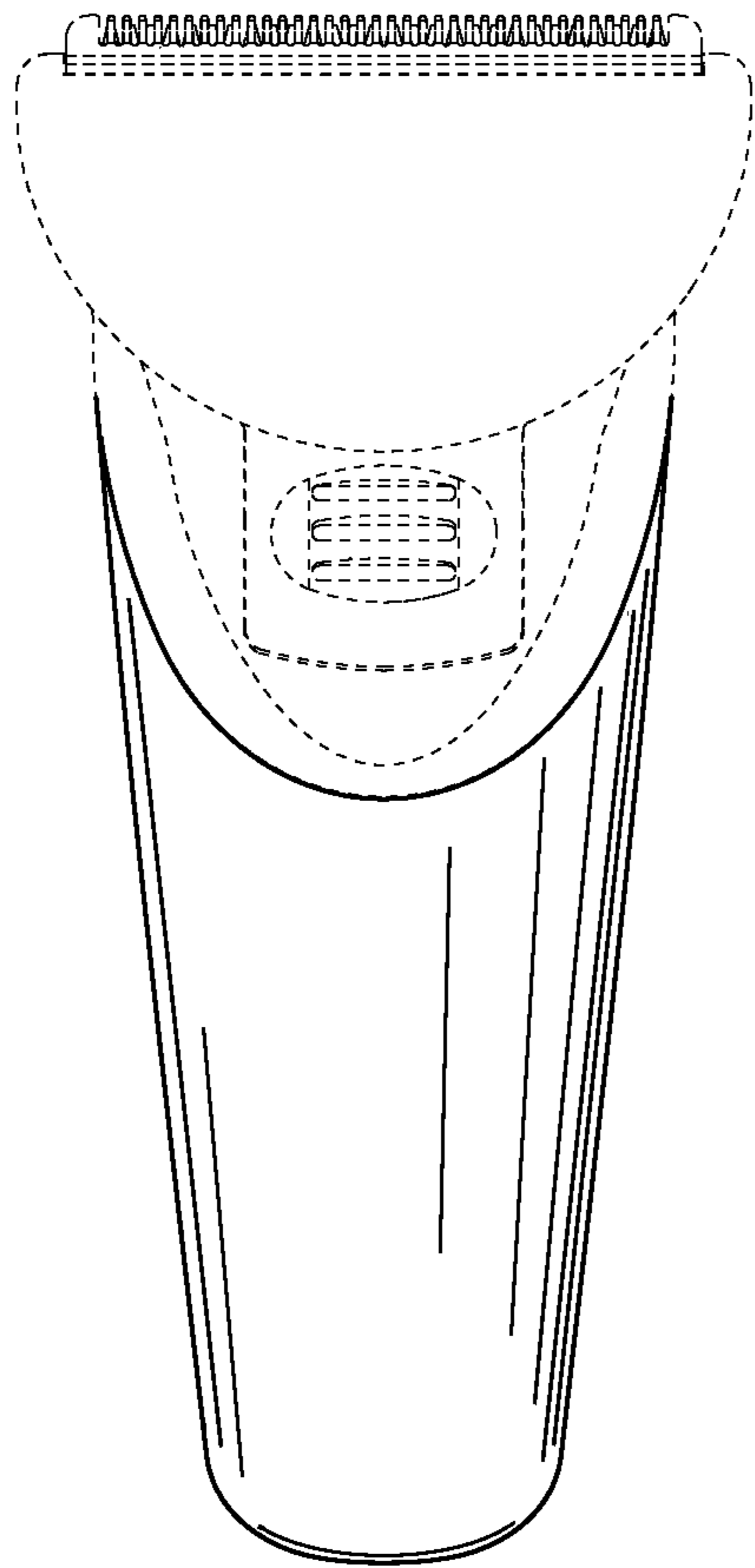


FIG. 5

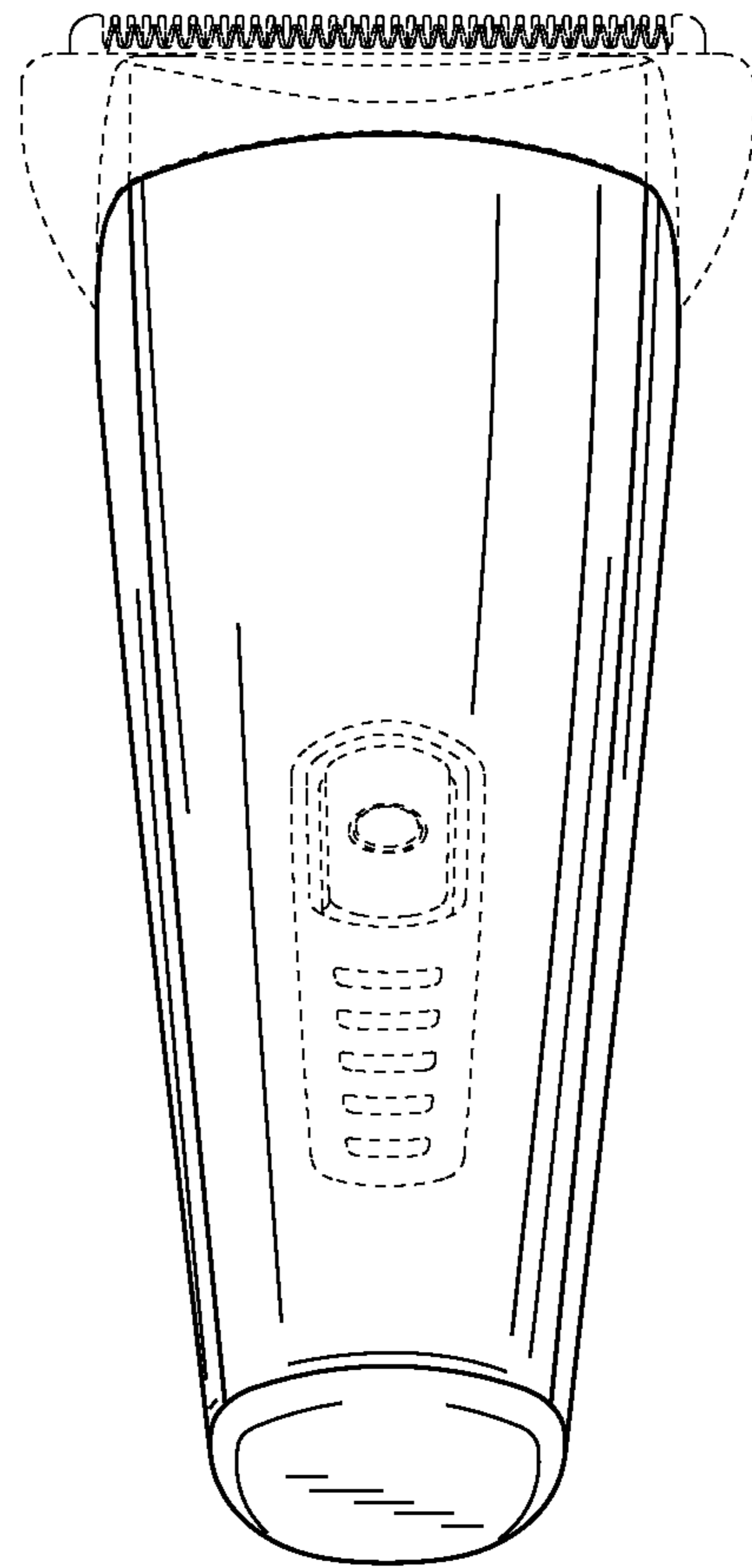


FIG. 6

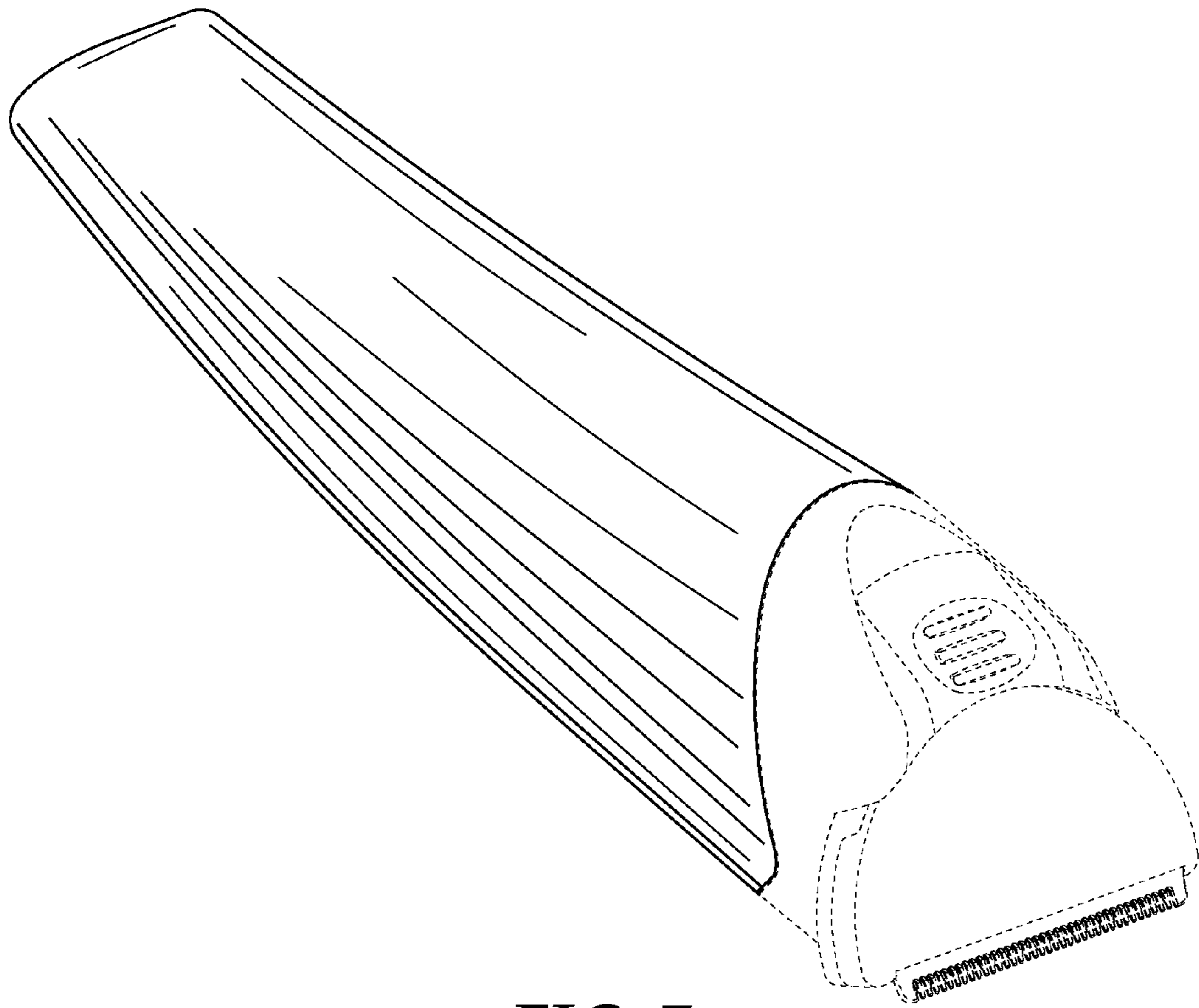


FIG. 7