



US00D684316S

(12) **United States Design Patent**
Batres et al.

(10) **Patent No.:** **US D684,316 S**
(45) **Date of Patent:** **** Jun. 11, 2013**

(54) **HAIR CARRIER CLIP**

(71) Applicants: **Deborah Ann Batres**, Chatsworth, CA (US); **Amalia Jean Moscoso**, New York City, NY (US)

(72) Inventors: **Deborah Ann Batres**, Chatsworth, CA (US); **Amalia Jean Moscoso**, New York City, NY (US)

(**) Term: **14 Years**

(21) Appl. No.: **29/437,371**

(22) Filed: **Nov. 15, 2012**

(51) **LOC (9) Cl.** **28-03**

(52) **U.S. Cl.**
USPC **D28/40**

(58) **Field of Classification Search**
USPC D28/31-34, 39-43; 132/101, 126, 132/128-131, 144, 148, 219, 275-284; D19/34, D19/65; D8/395; D9/434, 443
See application file for complete search history.

(56) **References Cited**

U.S. PATENT DOCUMENTS

D364,188 S *	11/1995	Wolff	D19/65
5,664,591 A *	9/1997	Potut	132/277
D412,343 S *	7/1999	Offenhauer	D19/65
D514,435 S *	2/2006	Bhavnani	D8/395
D566,536 S *	4/2008	Wolff et al.	D8/395
D583,417 S *	12/2008	Maier-Hunke	D19/65
D590,993 S *	4/2009	Hsu	D28/43

D637,480 S * 5/2011 Chen et al. D8/390

* cited by examiner

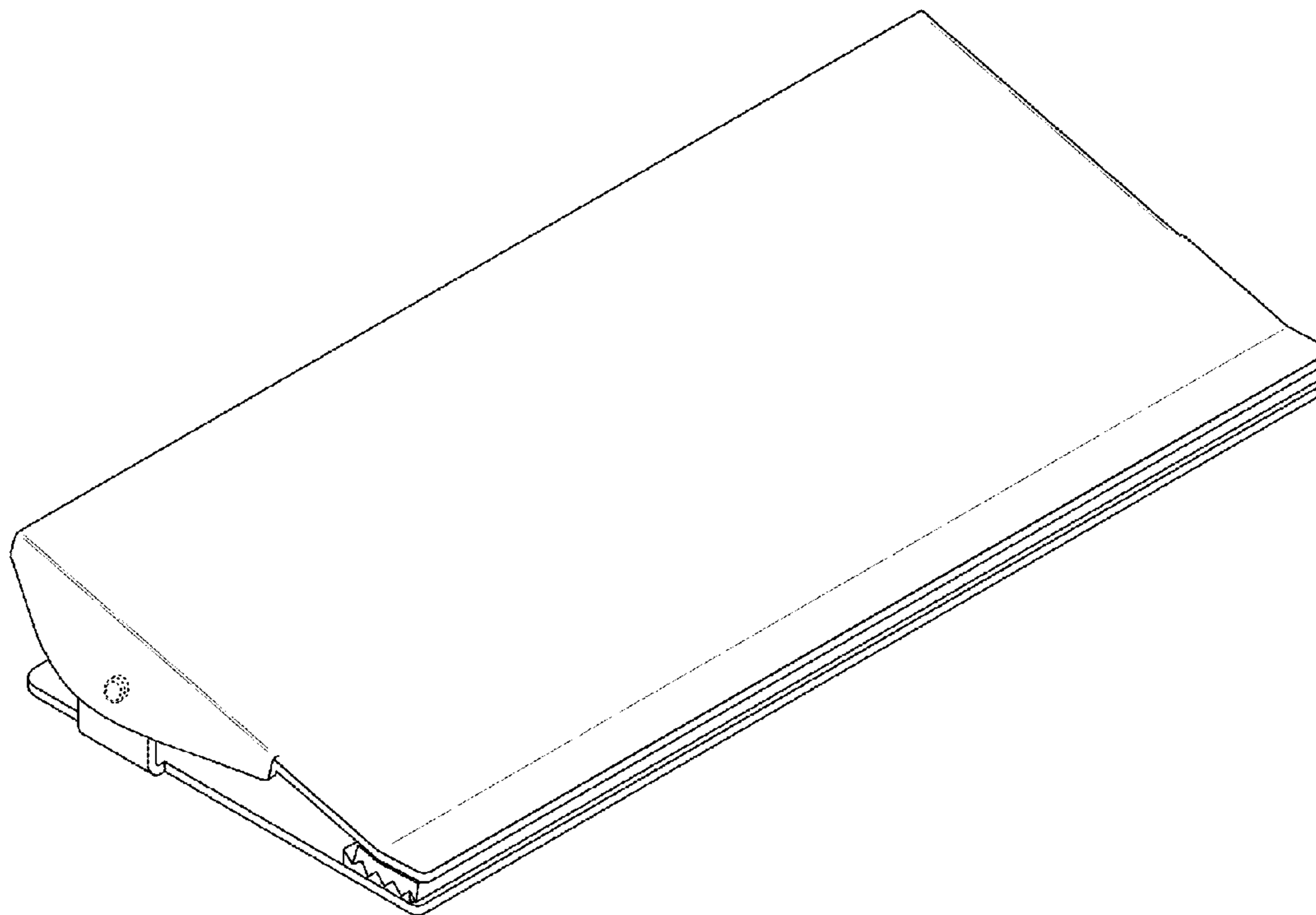
Primary Examiner — Zenia Bennett
(74) *Attorney, Agent, or Firm* — Tillman Wright, PLLC; James D. Wright; David R. Higgins

(57) **CLAIM**
The ornamental design for a hair carrier clip, as shown.

DESCRIPTION

FIG. 1 is a perspective view of the design for a hair carrier clip in accordance with a first preferred embodiment of the present invention;
FIG. 2 is a left side view of the hair carrier clip of FIG. 1;
FIG. 3 is a right side view of the hair carrier clip of FIG. 1;
FIG. 4 is a top plan view of the hair carrier clip of FIG. 1;
FIG. 5 is a bottom plan view of the hair carrier clip of FIG. 1;
FIG. 6 is a rear view of the hair carrier clip of FIG. 1;
FIG. 7 is a front elevational view of the hair carrier clip of FIG. 1;
FIG. 8 is a perspective view of the design for a hair carrier clip in accordance with a second preferred embodiment of the present invention;
FIG. 9 is a left side view of the hair carrier clip of FIG. 8;
FIG. 10 is a right side view of the hair carrier clip of FIG. 8;
FIG. 11 is a top plan view of the hair carrier clip of FIG. 8;
FIG. 12 is a bottom plan view of the hair carrier clip of FIG. 8;
FIG. 13 is a rear view of the hair carrier clip of FIG. 8; and, FIG. 14 is a front elevational view of the hair carrier clip of FIG. 8.
Broken lines illustrated in the drawings form no part of the design.

1 Claim, 8 Drawing Sheets



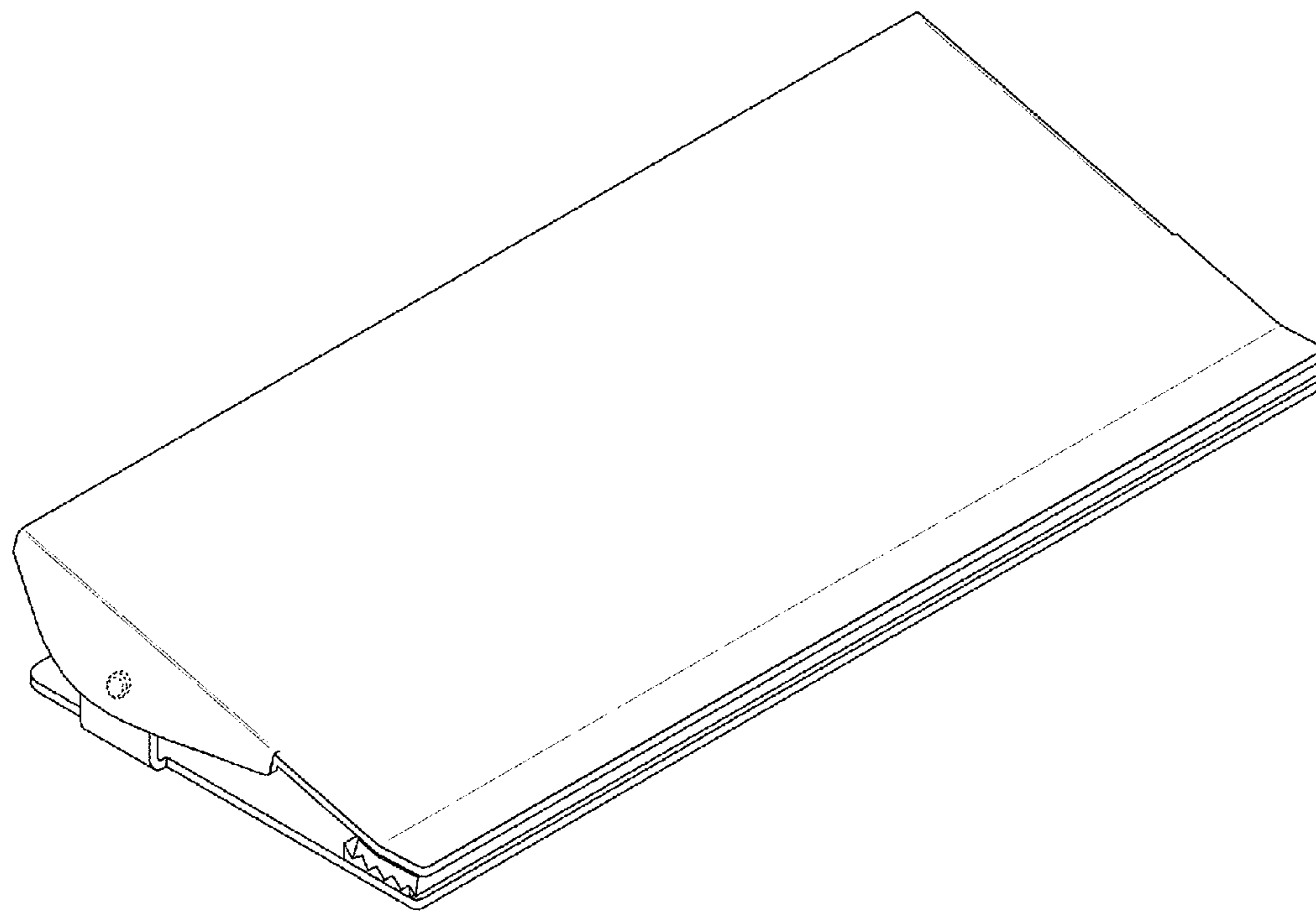


FIG. 1

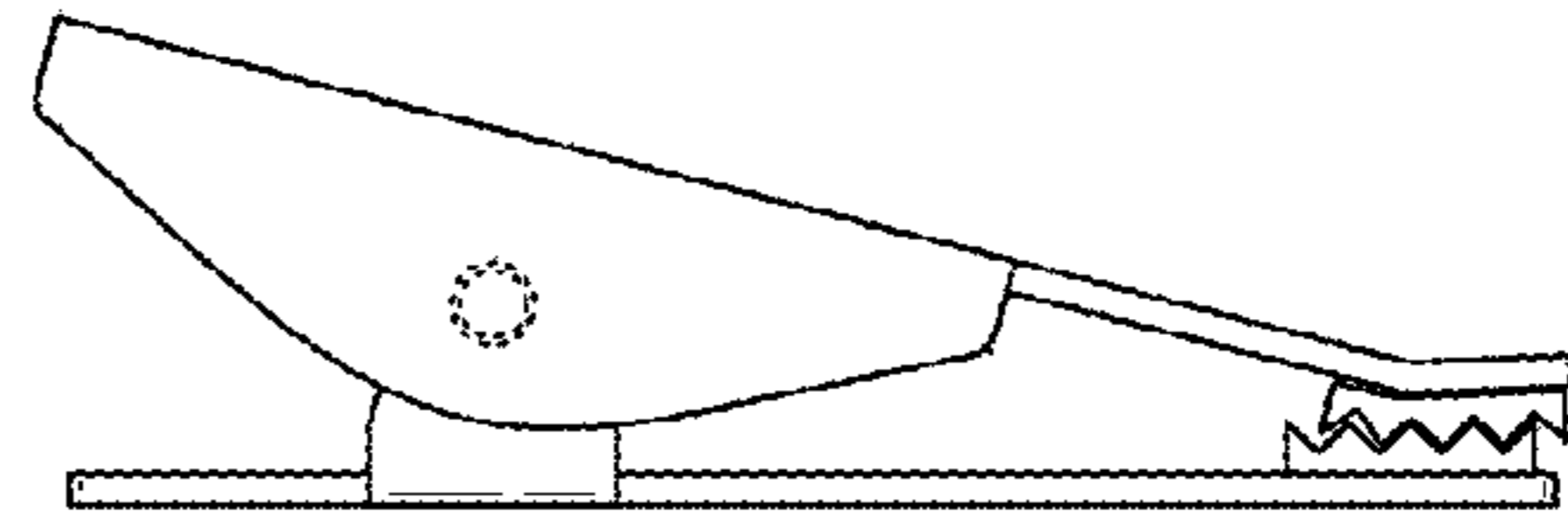


FIG. 2

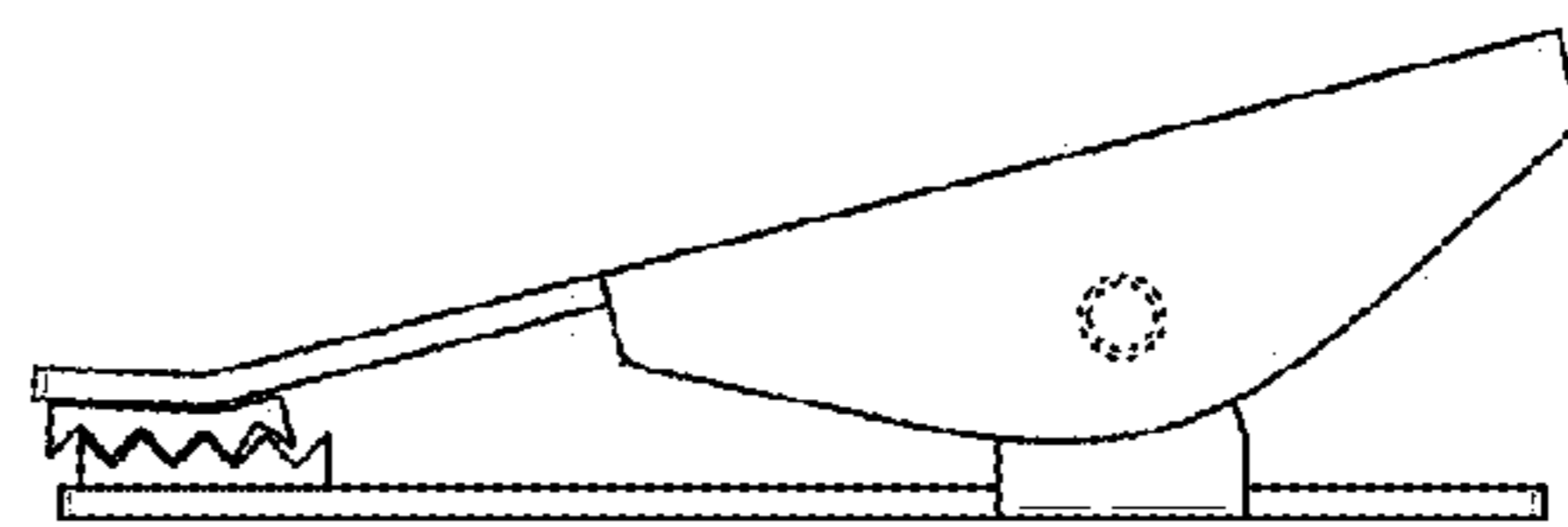


FIG. 3

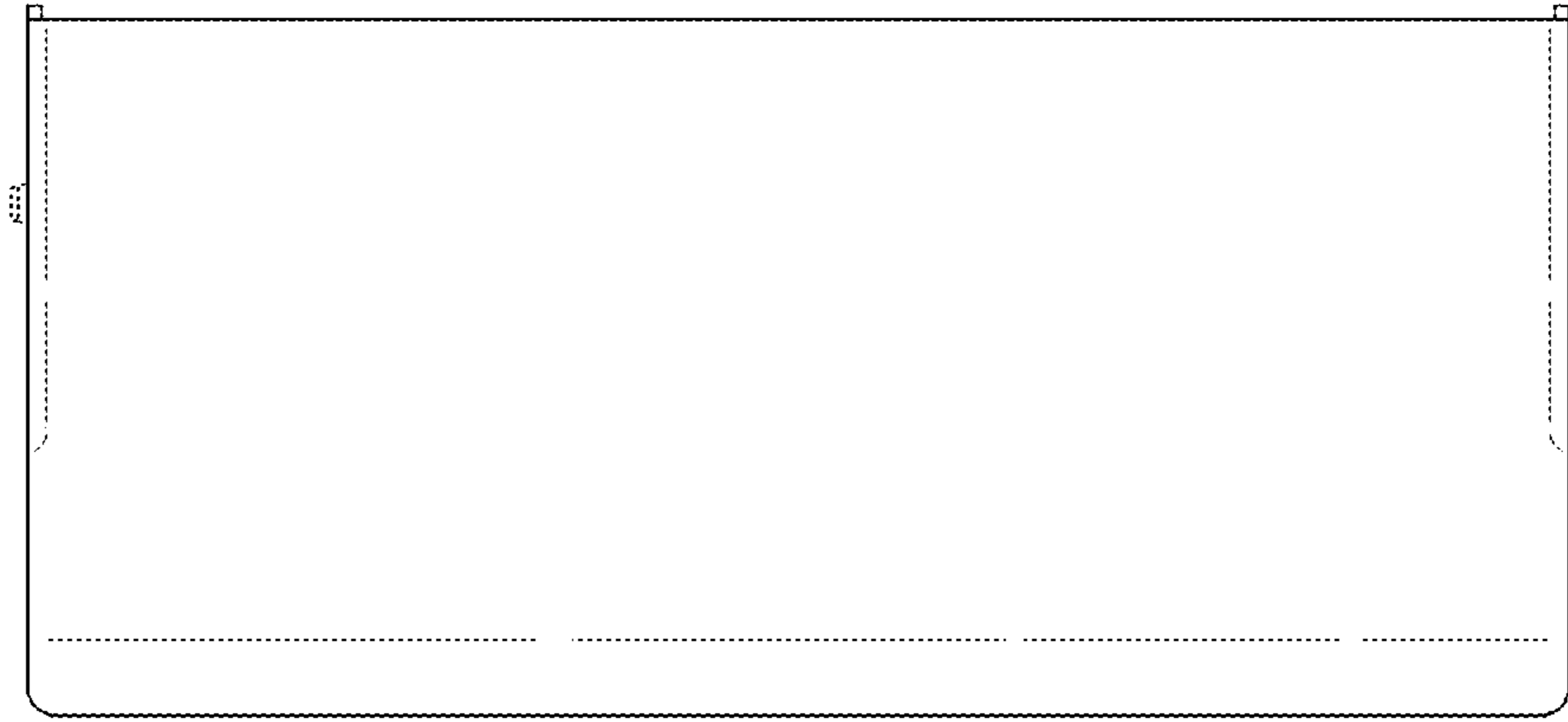


FIG. 4



FIG. 5

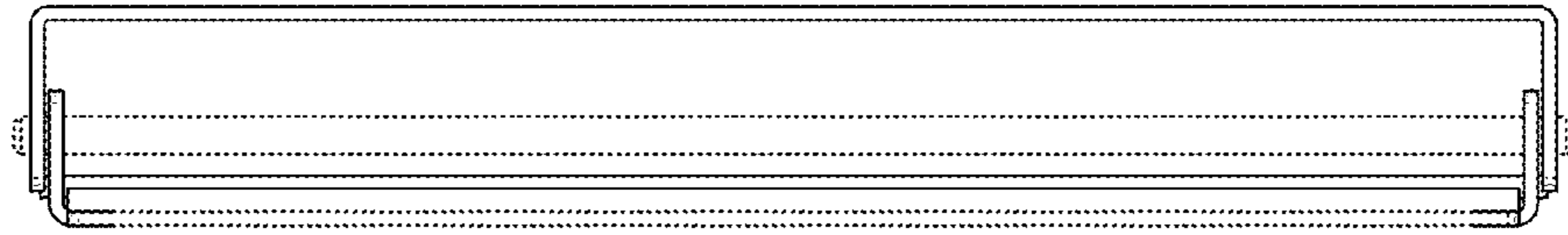


FIG. 6

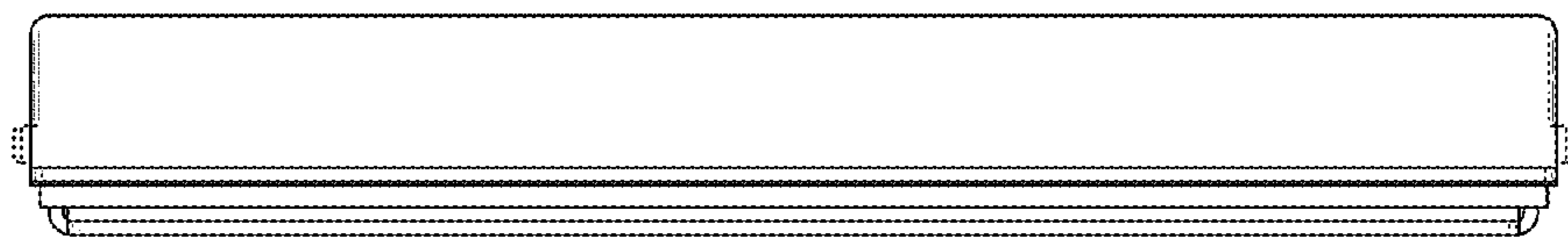


FIG. 7

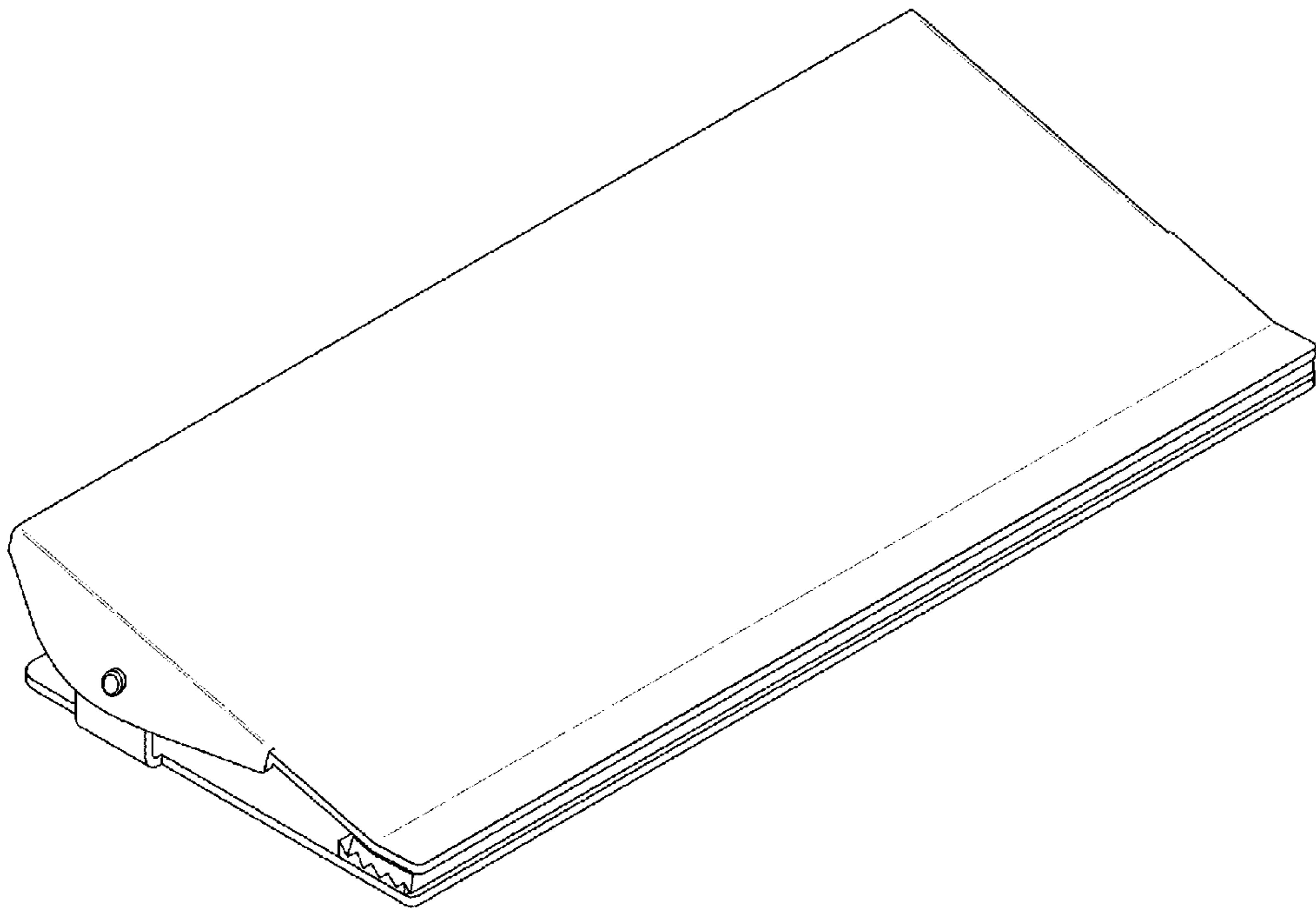


FIG. 8

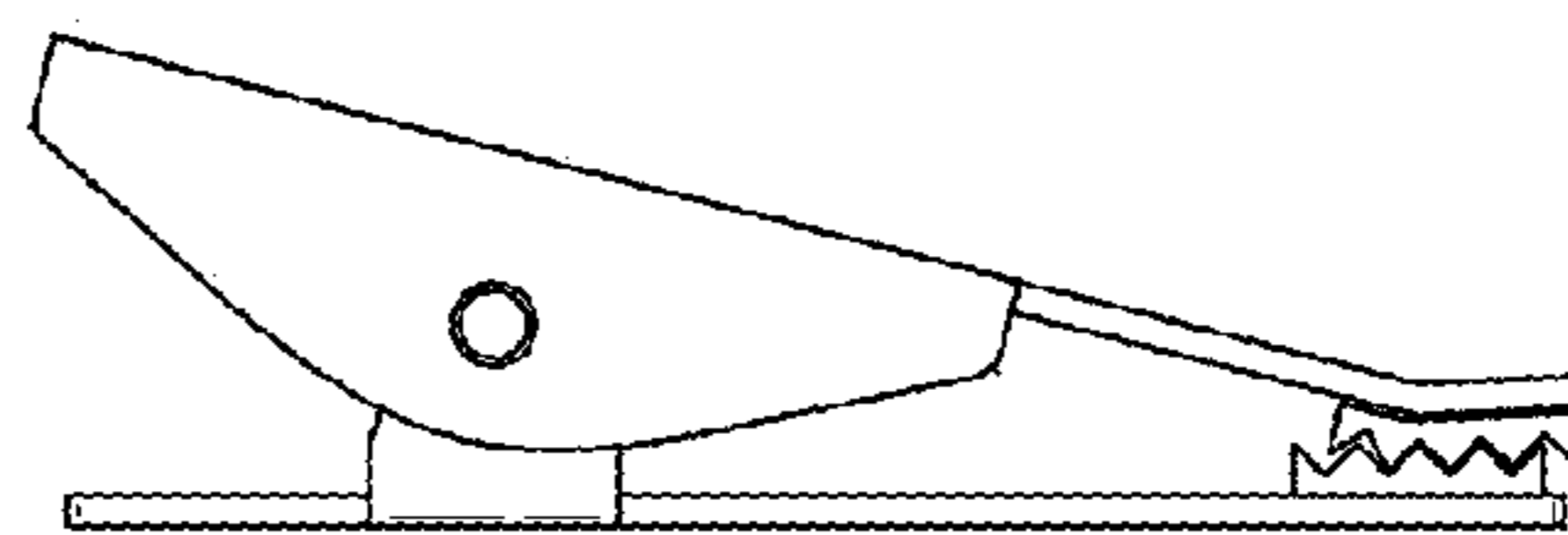


FIG. 9

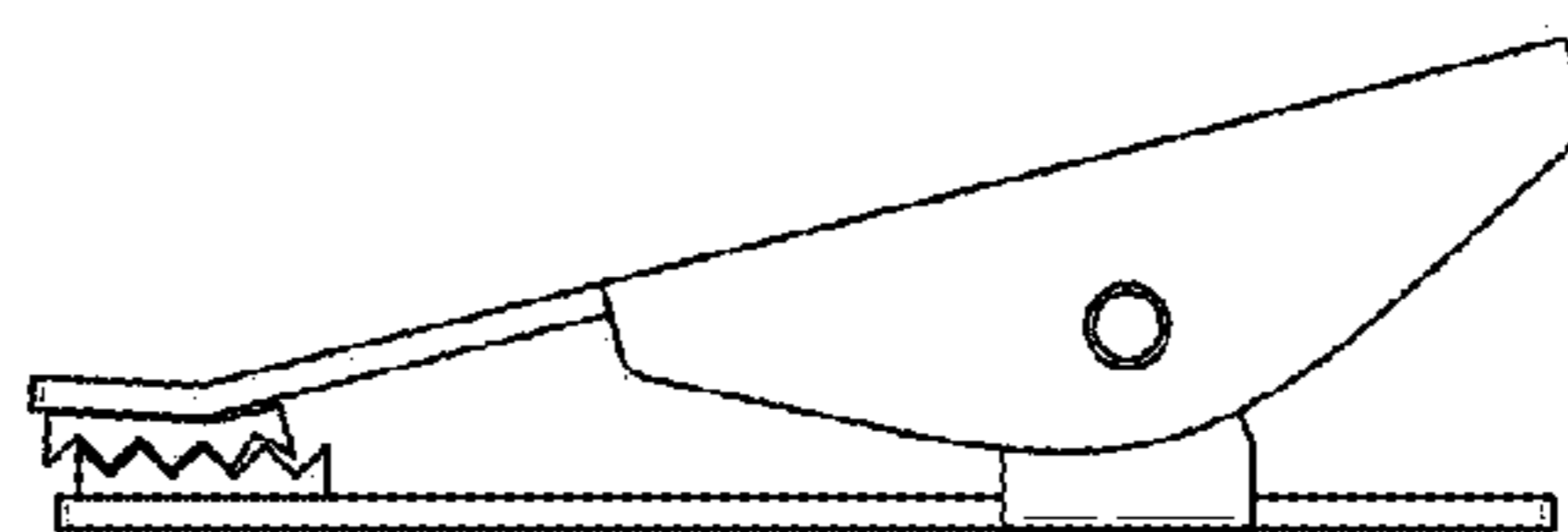


FIG. 10

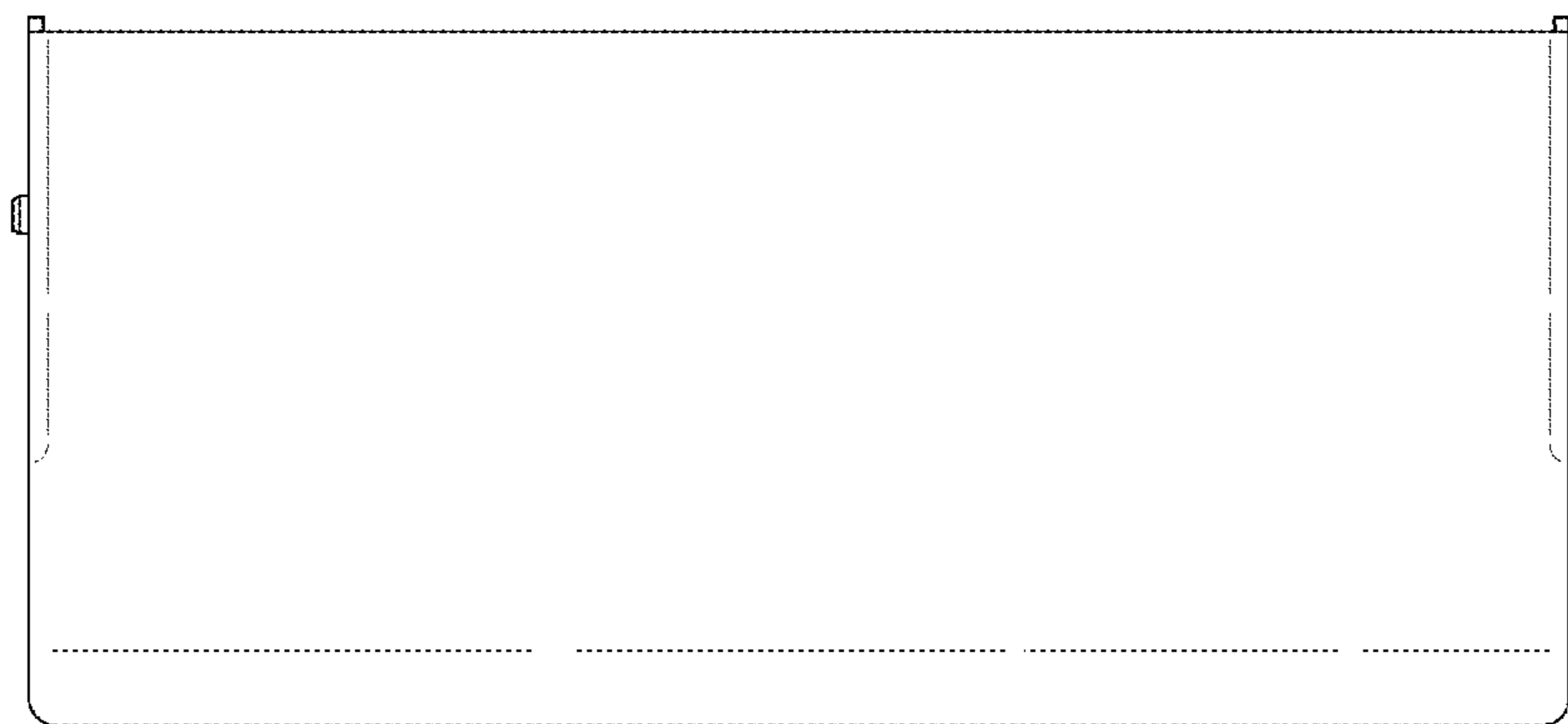


FIG. 11



FIG. 12

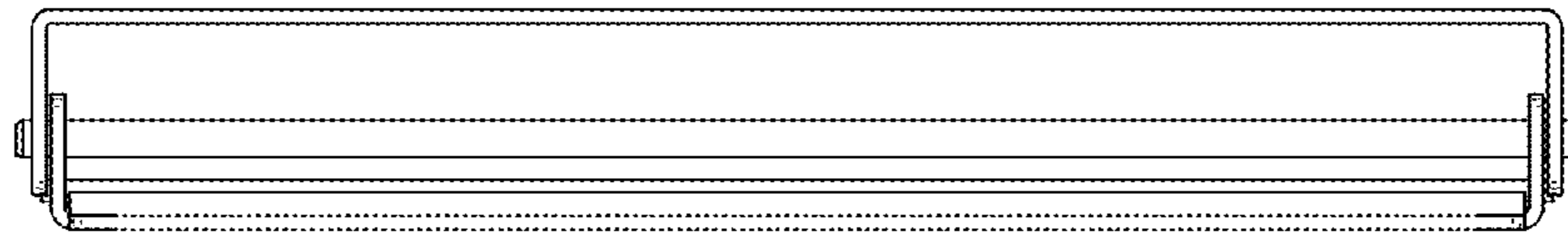


FIG. 13

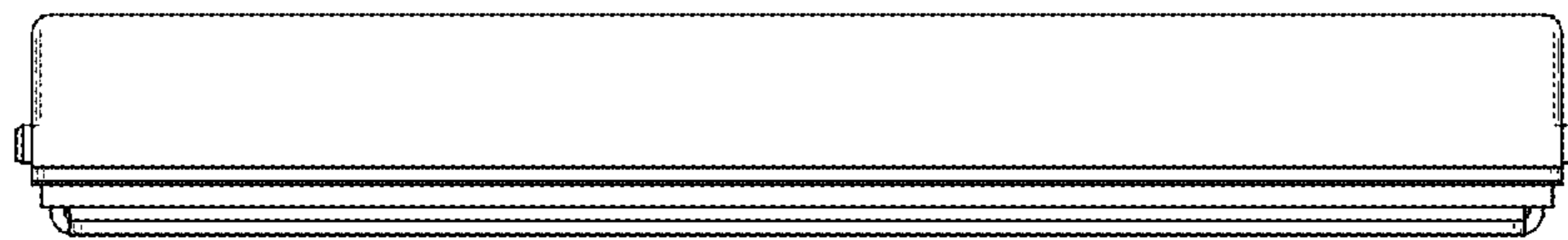


FIG. 14