



US00D684313S

(12) **United States Design Patent**
Wu

(10) **Patent No.:** **US D684,313 S**
(45) **Date of Patent:** **** Jun. 11, 2013**

- (54) **ELECTRONIC SMOKING PIPE**
- (71) Applicant: **B2B International Holding Limited**,
Wilmington, DE (US)
- (72) Inventor: **Jianyong Wu**, Wilmington, DE (US)
- (73) Assignee: **B2B International Holding Limited**,
Wilmington
- (**) Term: **14 Years**
- (21) Appl. No.: **29/438,127**
- (22) Filed: **Nov. 26, 2012**
- (51) **LOC (9) Cl.** **27-02**
- (52) **U.S. Cl.**
USPC **D27/164**
- (58) **Field of Classification Search**
USPC D27/195, 142, 143, 125, 194, 172,
D27/196, 101, 170, 189, 100, 162, 167, 169;
131/233, 254, 255, 329, 250, 251, 252, 253,
131/256, 248, 330, 187, 175, 328, 273, 274,
131/290, 291, 173, 202, 203, 204, 205, 206,
131/347, 360
See application file for complete search history.

- (56) **References Cited**
U.S. PATENT DOCUMENTS
912,105 A * 2/1909 Frazee 131/176
D68,280 S * 9/1925 Stern D27/164
D127,324 S * 5/1941 Leser D27/164
D131,197 S * 1/1942 Leser D27/164
D132,561 S * 5/1942 Clements D27/164

- 2,325,412 A * 7/1943 Martin 131/196
- D143,257 S * 12/1945 Abrams D27/164
- D143,423 S * 1/1946 Goulston et al. D27/164
- D150,219 S * 7/1948 Furedy et al. D27/164
- 2,467,002 A * 4/1949 Atkins 131/198.1
- 2,529,278 A * 11/1950 Bowers 131/185
- D177,226 S * 3/1956 Gevirman D27/164
- D177,952 S * 6/1956 Wang D27/162
- D229,520 S * 12/1973 Lamberti D27/163
- 3,874,393 A * 4/1975 Strong 131/193
- 4,213,469 A * 7/1980 Ramsay 131/199
- 4,303,083 A * 12/1981 Burruss, Jr. 131/271
- D304,771 S * 11/1989 Katayama D27/163
- D305,804 S * 1/1990 Browning et al. D27/163
- D436,686 S * 1/2001 Fujisawa D27/163
- D650,520 S * 12/2011 Timmermans D27/163
- 2004/0173223 A1 * 9/2004 Hu 131/226
- 2011/0036363 A1 * 2/2011 Urtsev et al. 131/273

* cited by examiner

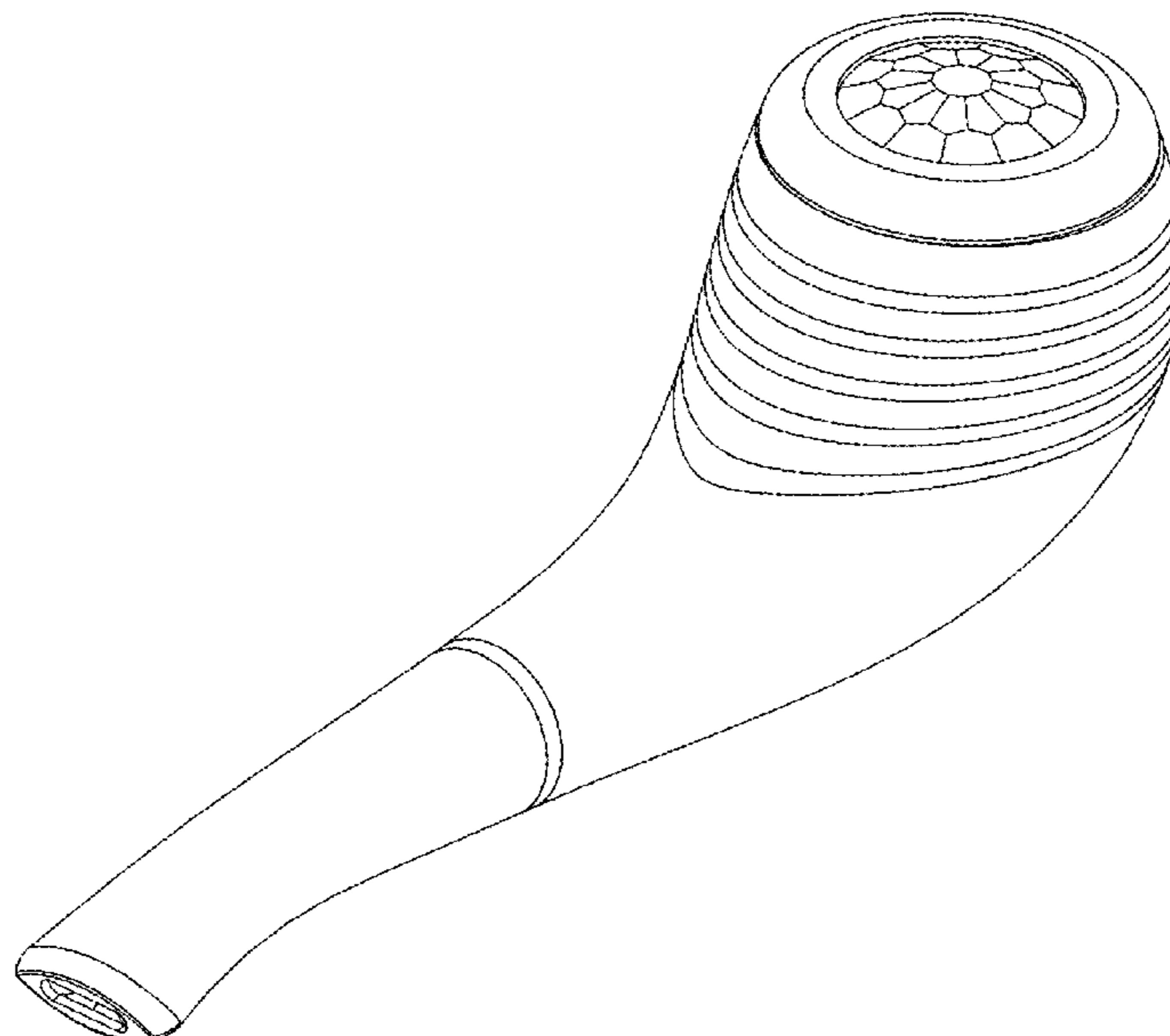
Primary Examiner — Kevin Rudzinski

(57) **CLAIM**
The ornamental design for an electronic smoking pipe, as shown and described.

DESCRIPTION

FIG. 1 is a front elevational view of an electronic smoking pipe showing my new design;
FIG. 2 is a rear elevational view thereof;
FIG. 3 is a left side elevational view thereof;
FIG. 4 is a right side elevational view thereof;
FIG. 5 is a top plan view thereof;
FIG. 6 is a bottom plan view thereof; and,
FIG. 7 is a perspective view thereof.

1 Claim, 7 Drawing Sheets



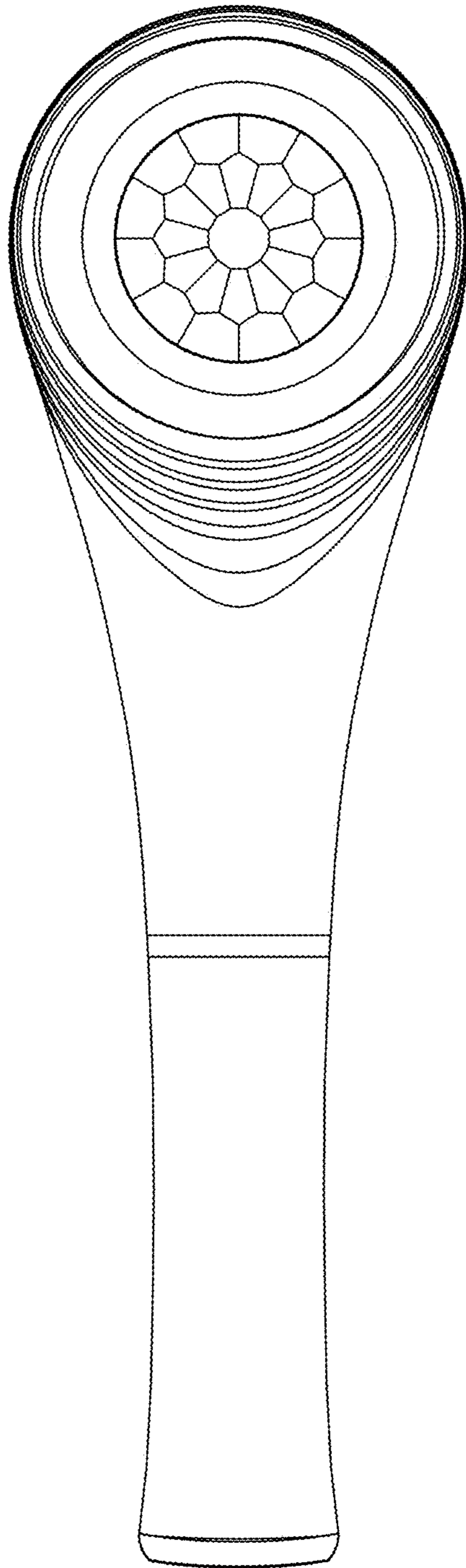


Fig. 1

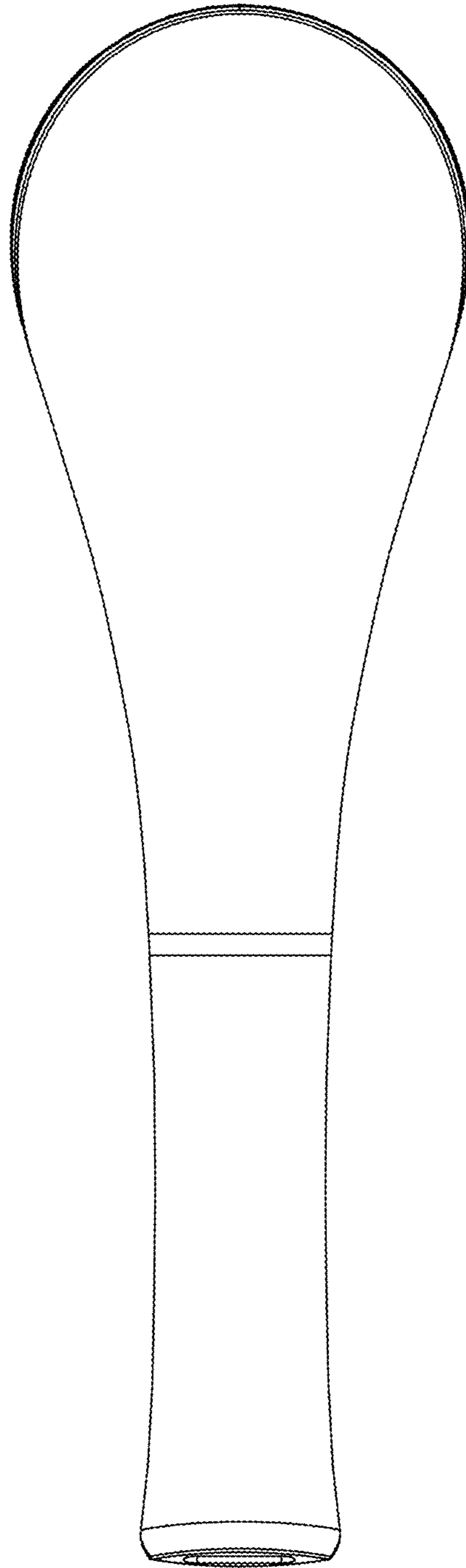


Fig. 2

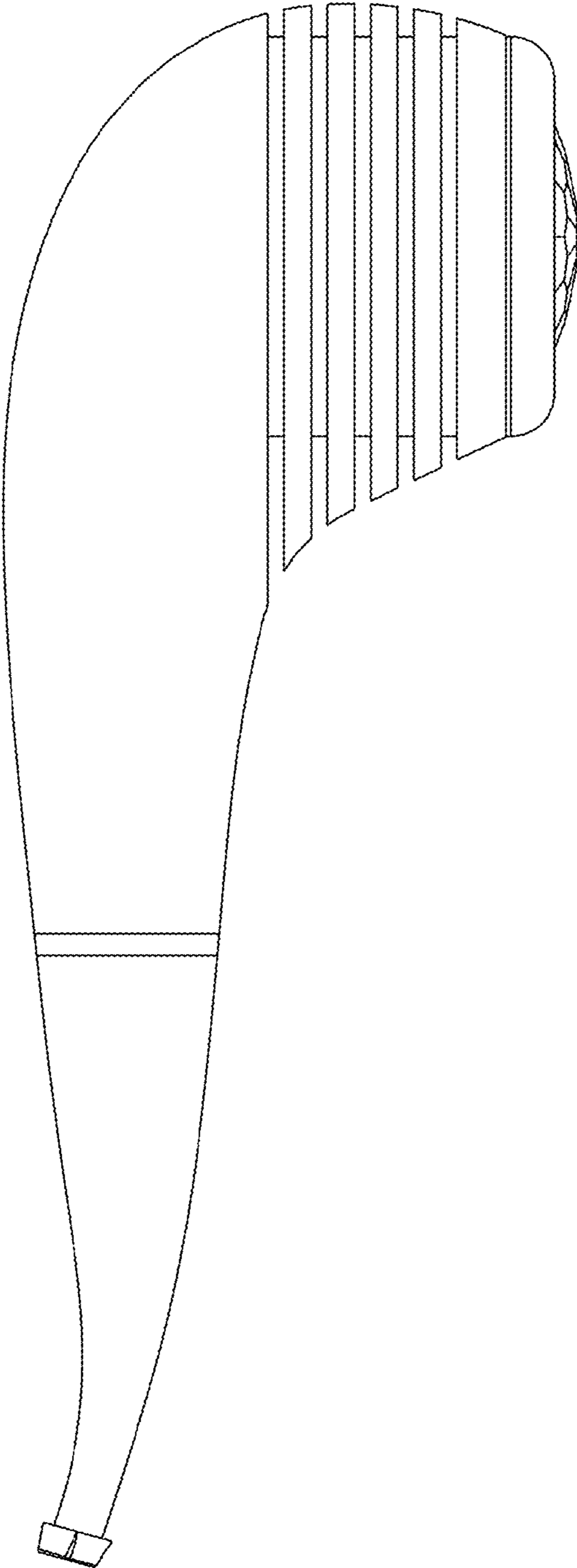


Fig. 3

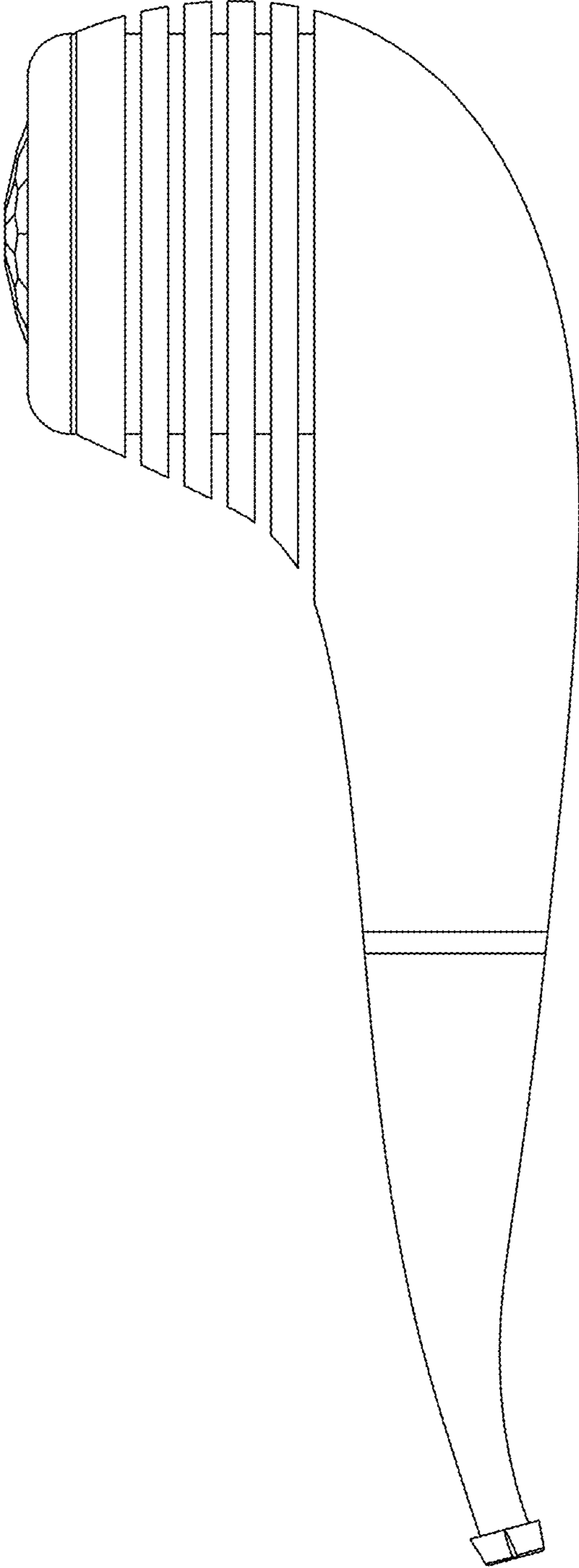


Fig. 4

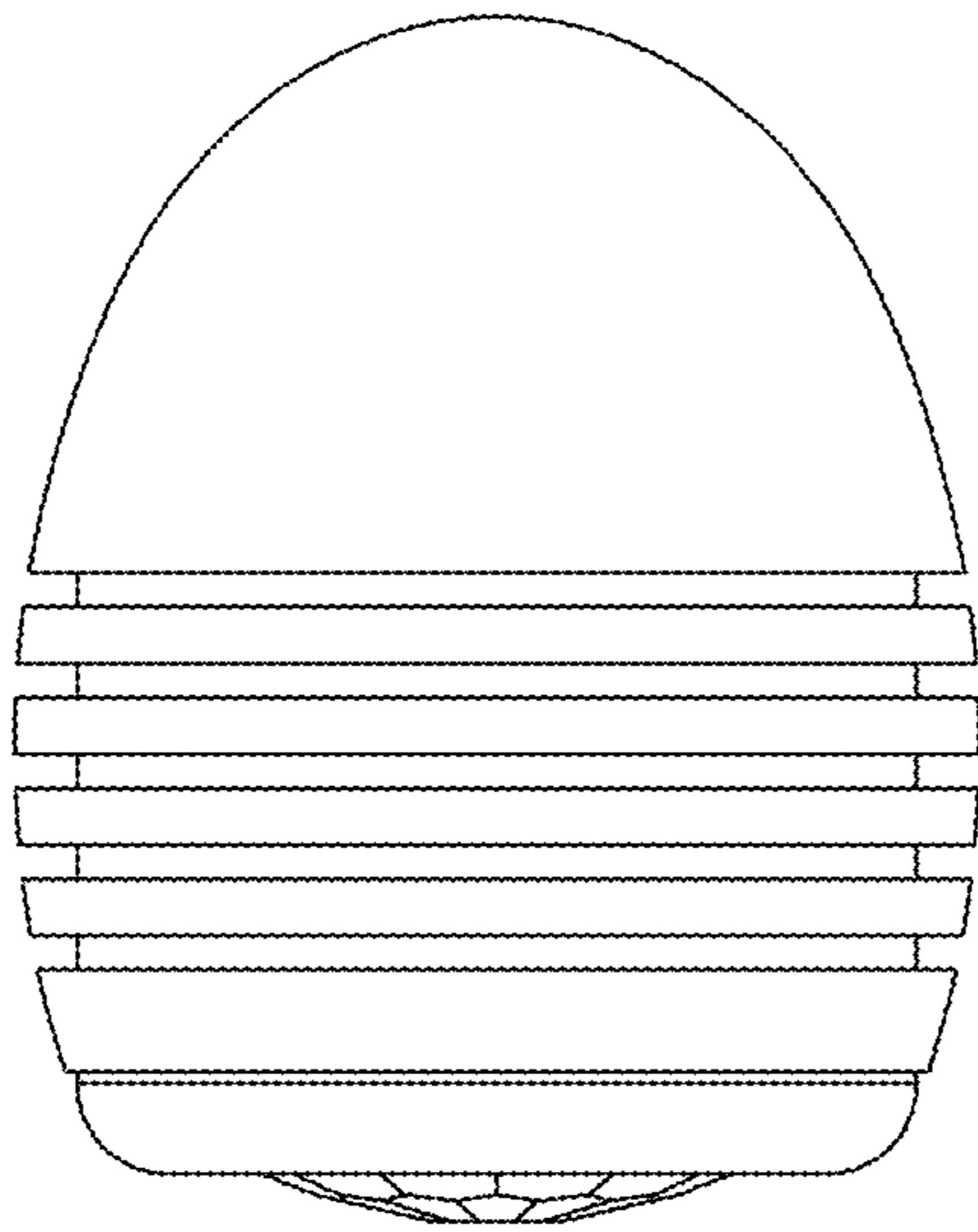


Fig. 5

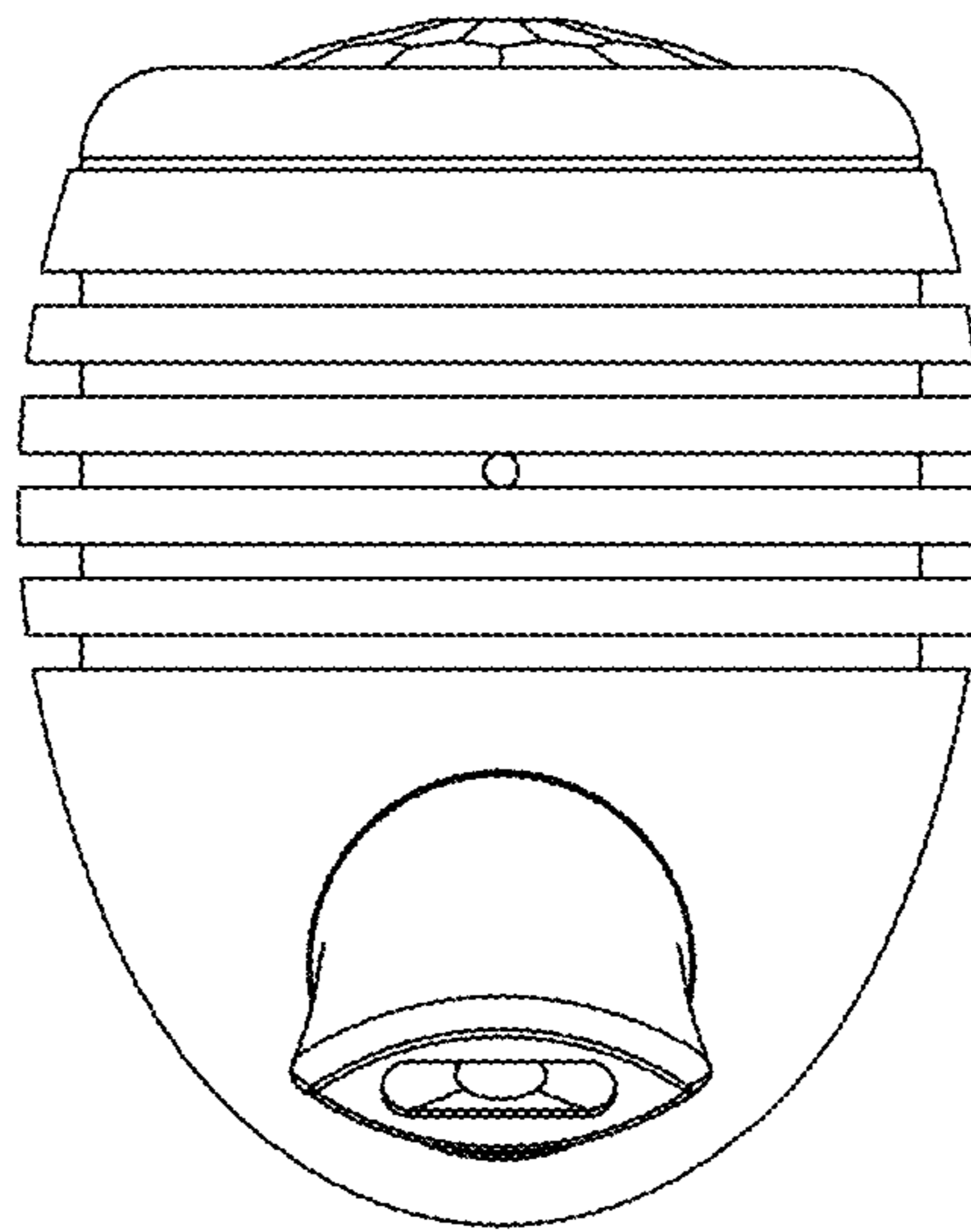


Fig. 6

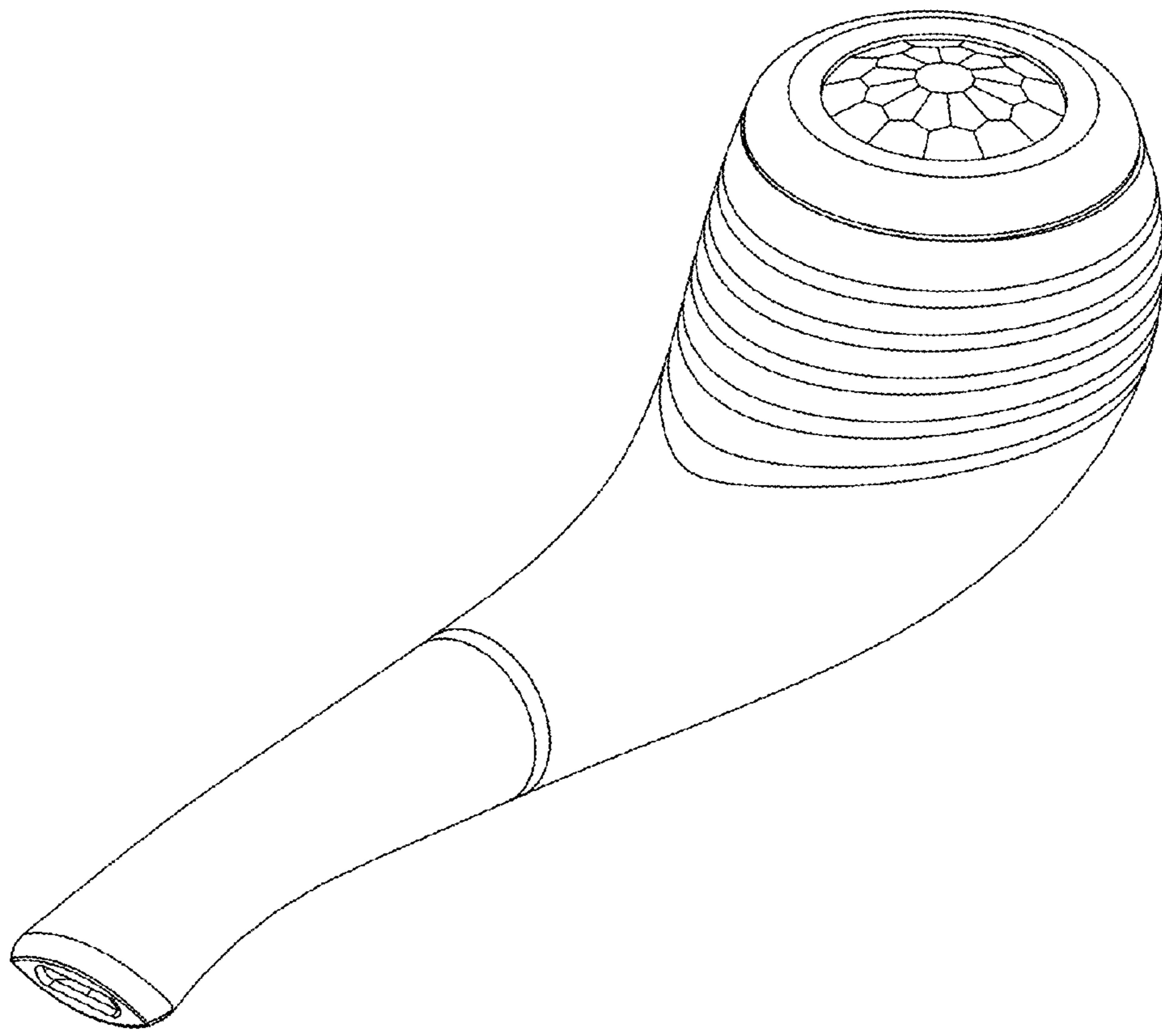


Fig. 7