



US00D684310S

(12) **United States Design Patent**  
**Hashimoto**

(10) **Patent No.:** **US D684,310 S**  
(45) **Date of Patent:** **\*\* Jun. 11, 2013**

(54) **LIGHT EMITTING DIODE LAMP**

(71) Applicant: **Panasonic Corporation**, Kadoma (JP)

(72) Inventor: **Naotaka Hashimoto**, Osaka (JP)

(73) Assignee: **Panasonic Corporation**, Osaka (JP)

(\*\*) Term: **14 Years**

(21) Appl. No.: **29/436,757**

(22) Filed: **Nov. 8, 2012**

**Related U.S. Application Data**

(62) Division of application No. 29/378,207, filed on Nov. 1, 2010, now Pat. No. Des. 679,049.

(30) **Foreign Application Priority Data**

Aug. 31, 2010 (JP) ..... 2010-020935  
Aug. 31, 2010 (JP) ..... 2010-020936  
Aug. 31, 2010 (JP) ..... 2010-020937

(51) **LOC (9) Cl.** ..... **26-99**

(52) **U.S. Cl.**  
USPC ..... **D26/138**

(58) **Field of Classification Search**  
USPC ..... D26/118, 119, 120, 67, 68, 69, 62,  
D26/63, 85, 86, 121, 122, 65, 124, 125, 139,  
D26/138, 140, 155, 154, 72, 76, 75, 64, 66,  
D26/71, 78, 79, 84, 137, 136, 126, 127, 128,  
D26/129, 135, 132, 134, 142, 144, 145, 147,  
D26/152, 1, 2, 3, 87, 88, 24, 25, 26, 28, 89,  
D26/90, 91, 92; 362/225, 326, 147,  
249.01-249.12, 346, 223, 224, 306, 149,  
362/362, 217.05, 342, 217.03, 297, 294,  
362/235, 329, 476, 555, 218; D13/179, 180  
See application file for complete search history.

(56) **References Cited**

U.S. PATENT DOCUMENTS

D302,861 S \* 8/1989 Tayama ..... D26/3  
D315,612 S \* 3/1991 Hughes et al.  
D366,705 S \* 1/1996 Yang ..... D26/3  
D415,294 S \* 10/1999 Kato et al. .... D26/3  
D422,371 S \* 4/2000 Kato et al. .... D26/3

(Continued)

FOREIGN PATENT DOCUMENTS

JP D1336043 7/2008  
JP D1336324 7/2008  
JP D1363613 6/2009  
JP D1363963 6/2009

*Primary Examiner* — Kevin Rudzinski

(74) *Attorney, Agent, or Firm* — Brinks Hofer Gilson & Lione

(57) **CLAIM**

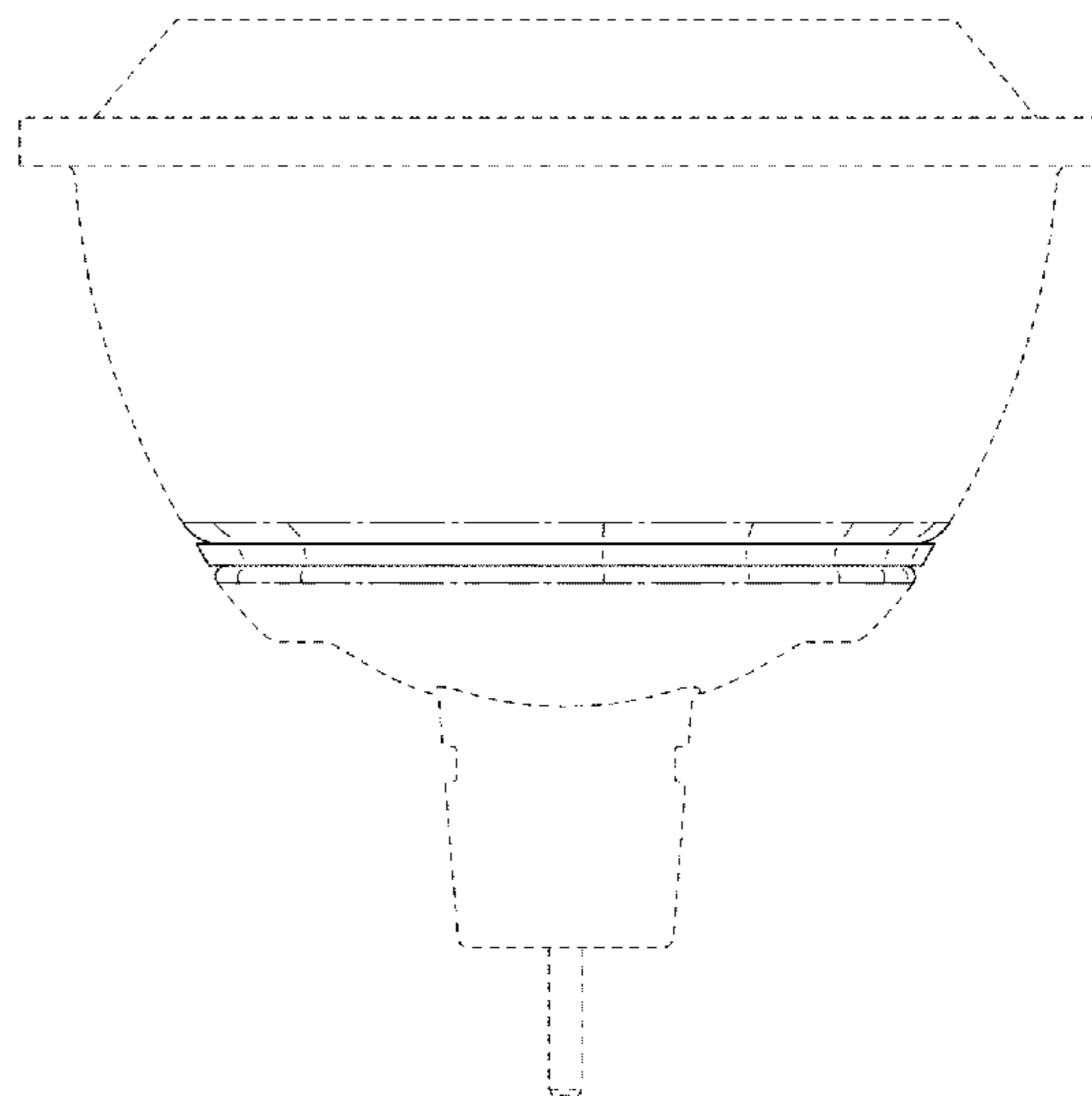
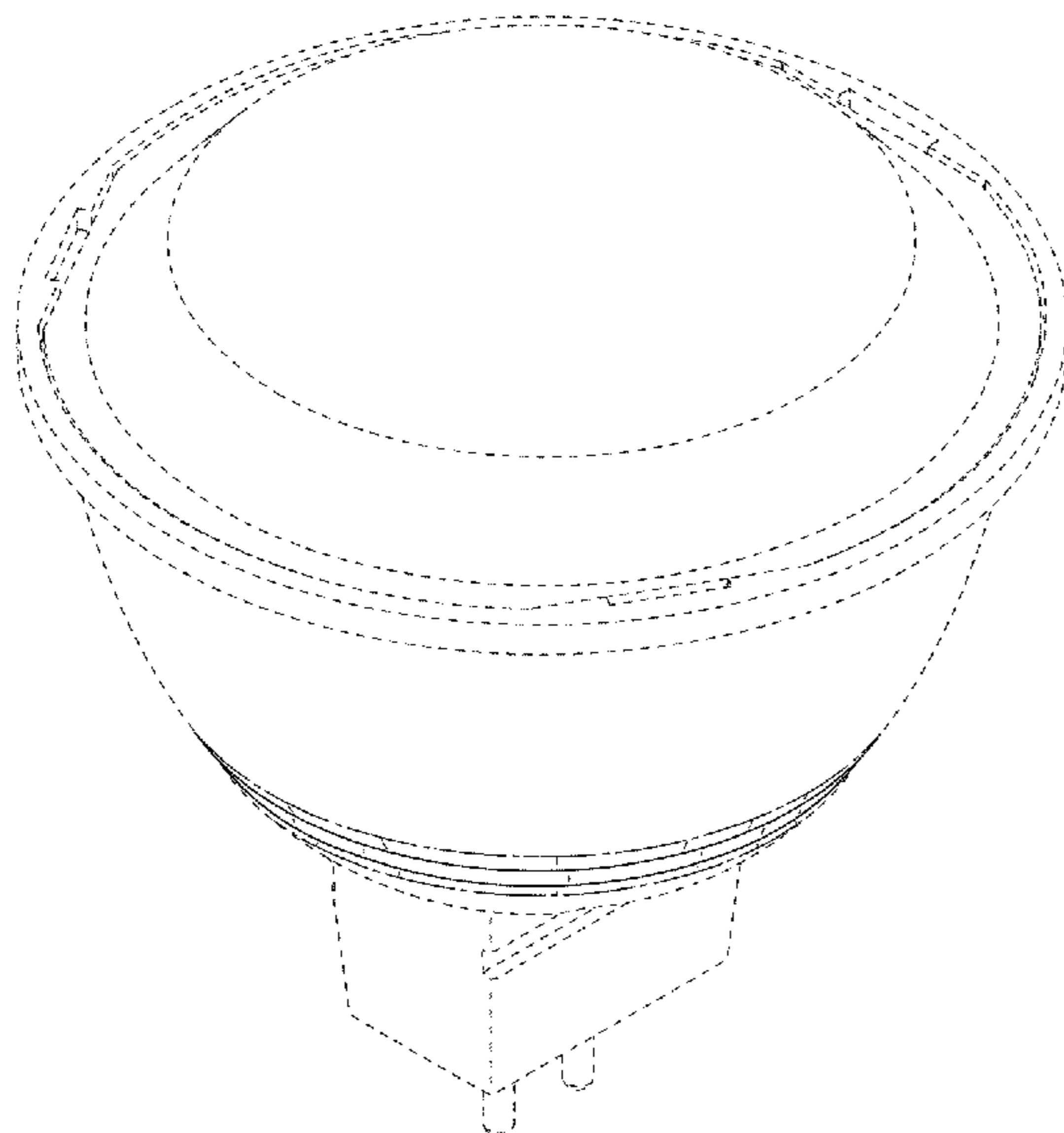
I claim the ornamental design for a light emitting diode lamp, as shown and described.

**DESCRIPTION**

FIG. 1 is a top perspective view of a light emitting diode lamp of the present invention;  
FIG. 2 is a bottom perspective view thereof;  
FIG. 3 is a front view thereof;  
FIG. 4 is a rear view thereof;  
FIG. 5 is a first side view thereof;  
FIG. 6 is a second side view thereof;  
FIG. 7 is a top view thereof; and,  
FIG. 8 is a bottom view thereof.

The evenly spaced broken lines shown in the drawings illustrate portions of the light emitting diode lamp and the unevenly spaced broken lines in the drawings define the limits of the claimed design. All broken lines form no part of the claimed design.

**1 Claim, 8 Drawing Sheets**



# US D684,310 S

Page 2

## U.S. PATENT DOCUMENTS

D470,606 S *	2/2003	Bobel .....	D26/2	D645,995 S	9/2011	Wey et al.	
D470,607 S *	2/2003	Bobel .....	D26/2	D645,997 S	9/2011	Wey et al.	
D487,939 S *	3/2004	Smith .....	D26/2	D646,804 S	10/2011	Murakami et al.	
D508,575 S *	8/2005	Buschmann et al. ....	D26/2	D646,807 S	10/2011	Wei	
D531,740 S *	11/2006	Maxik .....	D26/2	D647,636 S	10/2011	Guohui	
D534,665 S	1/2007	Egawa et al.		D648,455 S	11/2011	Kim et al.	
D542,426 S	5/2007	Itaya et al.		D648,458 S	11/2011	Kim et al.	
D548,369 S	8/2007	Bembridge et al.		D648,871 S	11/2011	Kim et al.	
7,482,632 B2	1/2009	Lu et al.		D648,875 S *	11/2011	Kim et al. ....	D26/2
D593,706 S *	6/2009	Zayas et al. ....	D26/142	D648,879 S	11/2011	Kim et al.	
D601,278 S	9/2009	Takahashi		D651,327 S *	12/2011	Hsiao et al. ....	D26/2
D601,721 S *	10/2009	Foo .....	D26/2	D652,158 S	1/2012	Kim et al.	
D602,614 S	10/2009	Takahashi et al.		D657,479 S *	4/2012	Jeon et al. ....	D26/2
D613,887 S *	4/2010	Lee et al. ....	D26/2	D660,469 S	5/2012	Mase et al.	
D613,888 S *	4/2010	Hiraga et al. ....	D26/2	D660,992 S *	5/2012	Mase et al. ....	D26/2
D615,698 S *	5/2010	Weiss .....	D26/142	D661,416 S *	6/2012	Mase et al. ....	D26/2
D616,119 S	5/2010	Wada et al.		D661,823 S	6/2012	Uneo et al.	
D623,774 S *	9/2010	Tsai .....	D26/2	D662,620 S *	6/2012	Xia et al. ....	D26/2
D628,320 S *	11/2010	Yamamoto .....	D26/2	D664,684 S	7/2012	Carroll et al.	
D629,534 S	12/2010	Song		D664,685 S	7/2012	Carroll et al.	
D633,225 S *	2/2011	Yoshimura et al. ....	D26/2	D669,199 S *	10/2012	Chuang .....	D26/2
D635,281 S *	3/2011	Murakami et al. ....	D26/2	D674,922 S *	1/2013	Huang et al. ....	D26/2
D639,997 S *	6/2011	Hashimoto .....	D26/113	D674,926 S *	1/2013	Shimizu .....	D26/2
D642,291 S *	7/2011	Li et al. ....	D26/2	D676,583 S *	2/2013	Holland et al. ....	D26/2
D643,551 S	8/2011	Murakami et al.					

\* cited by examiner

FIG. 1

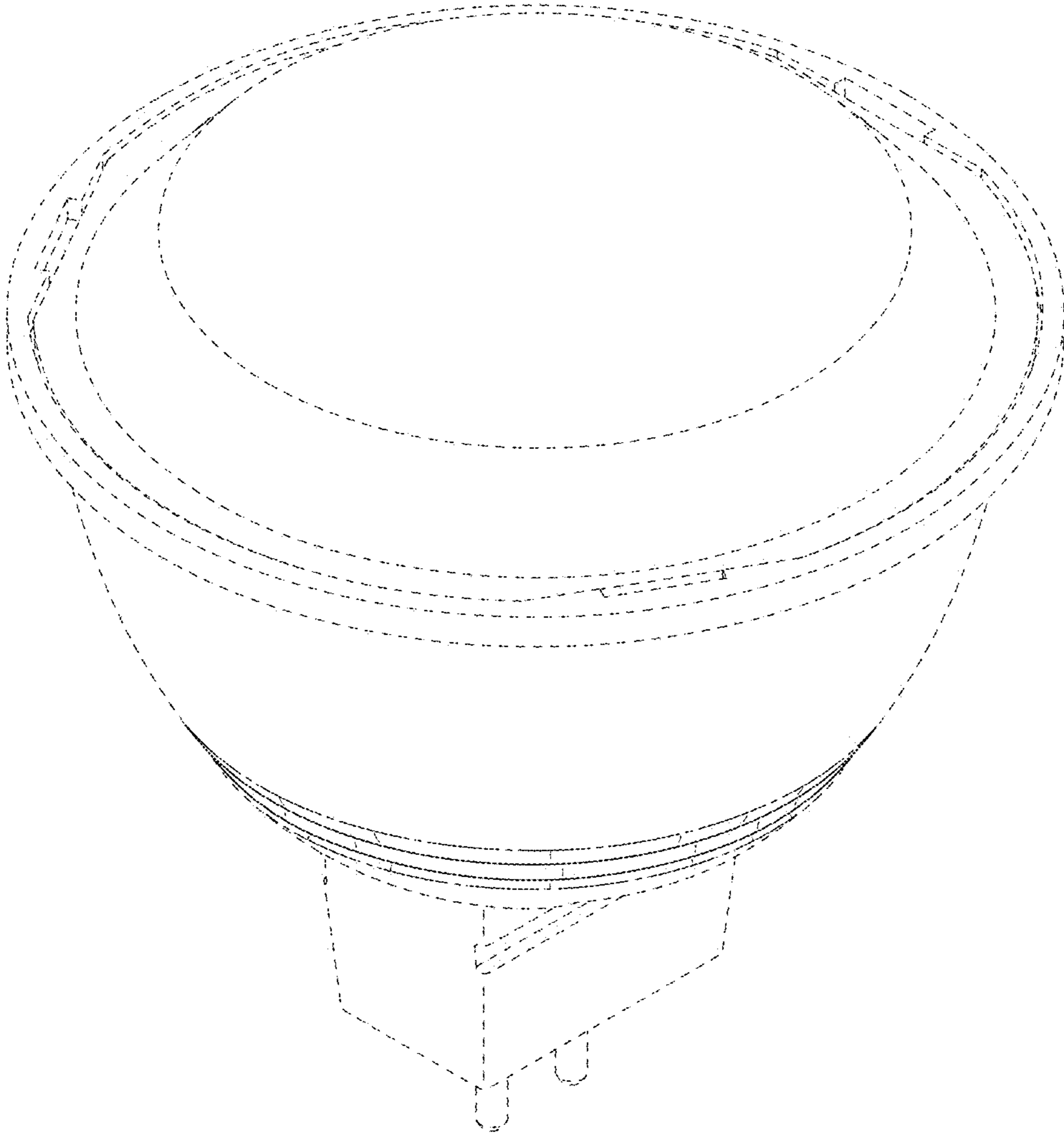


FIG.2

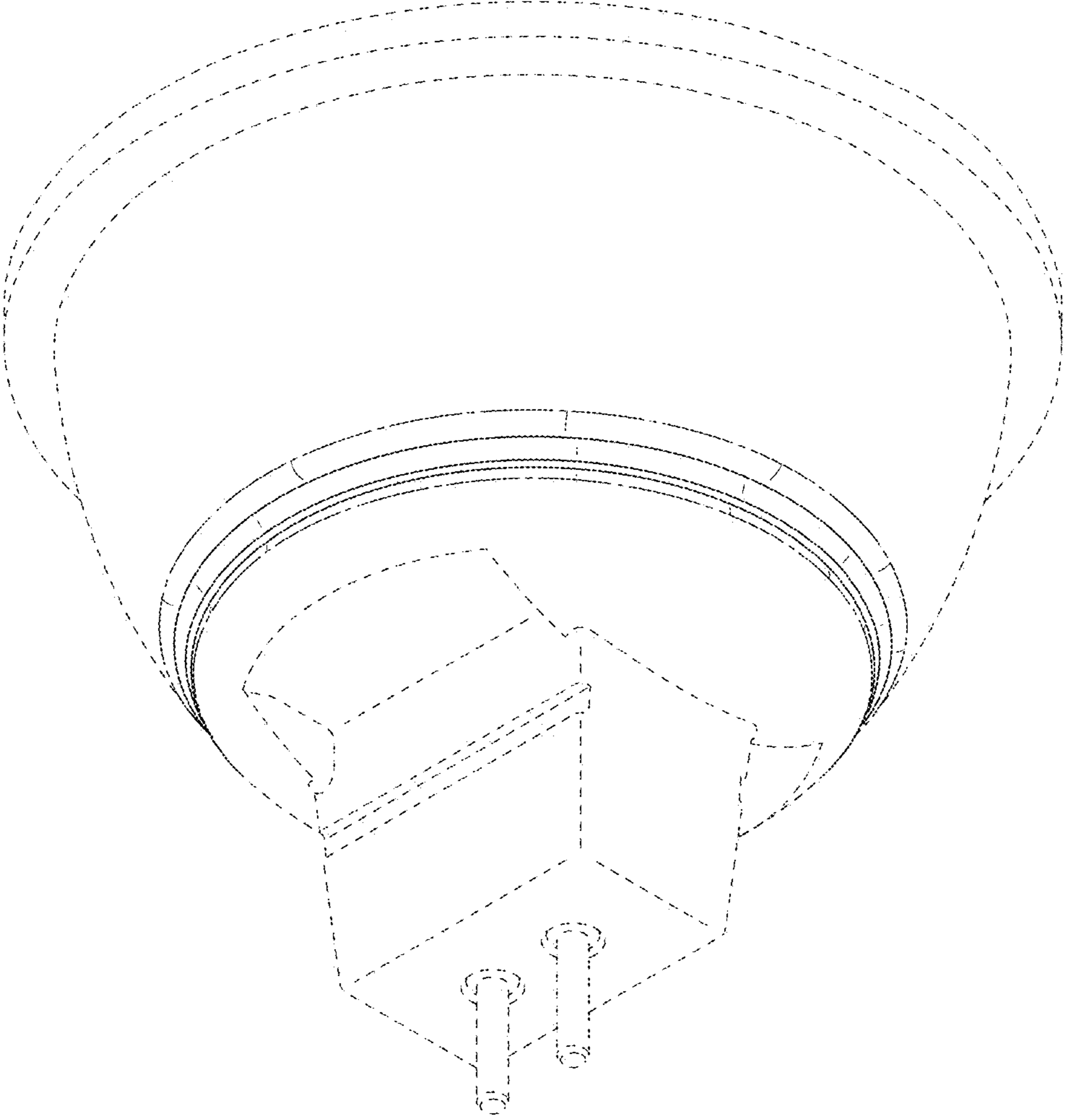


FIG.3

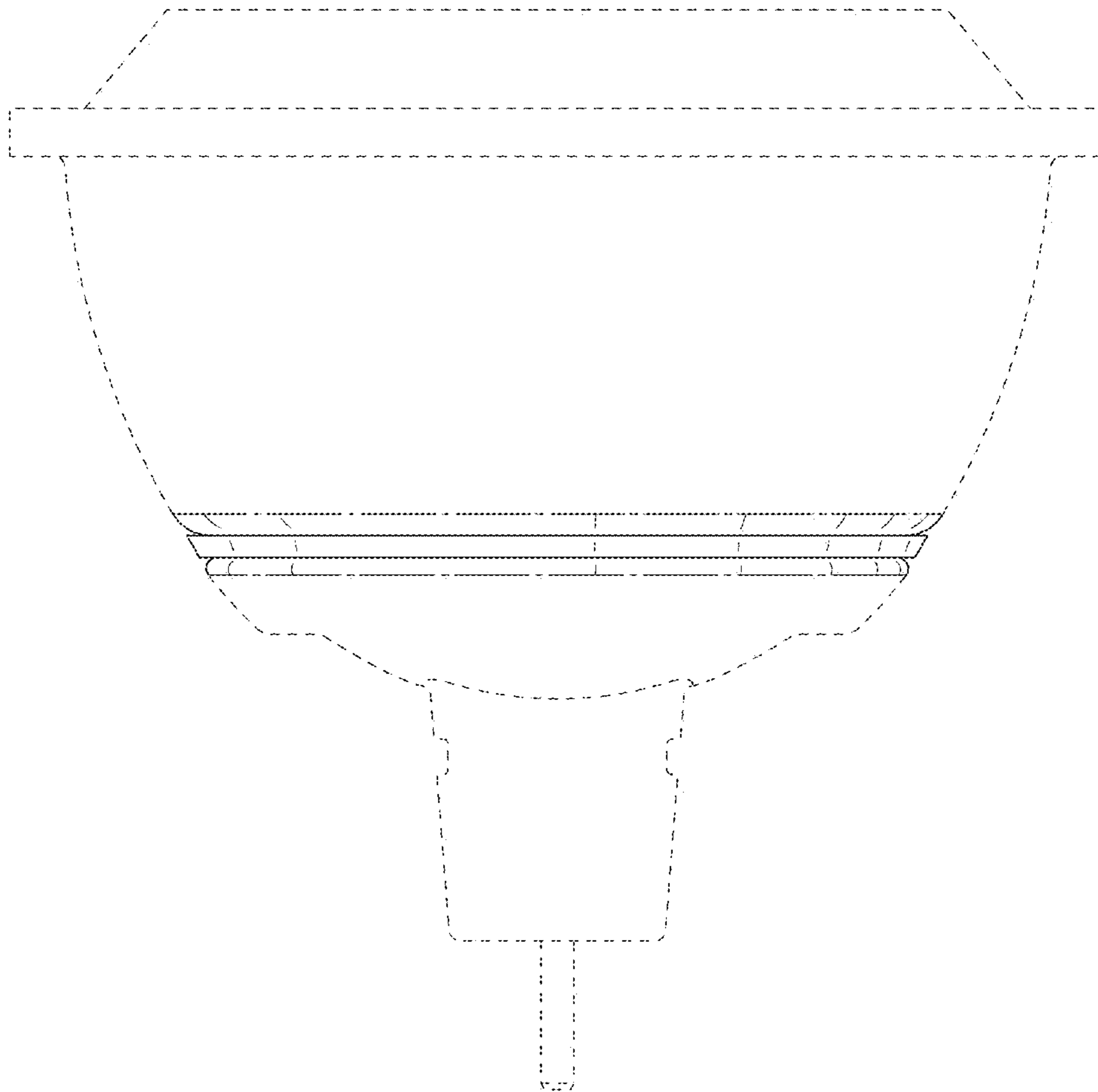


FIG.4

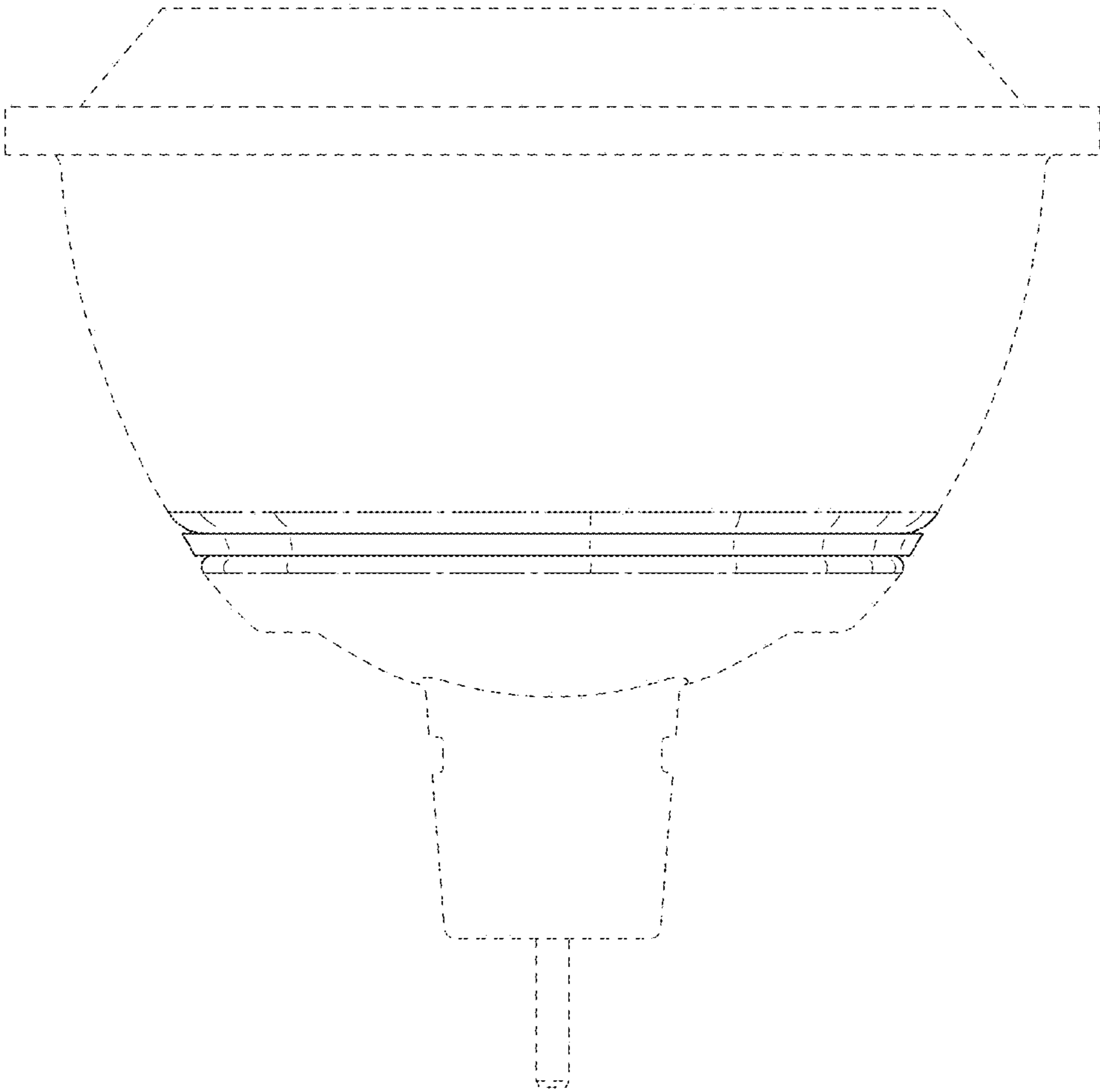


FIG.5

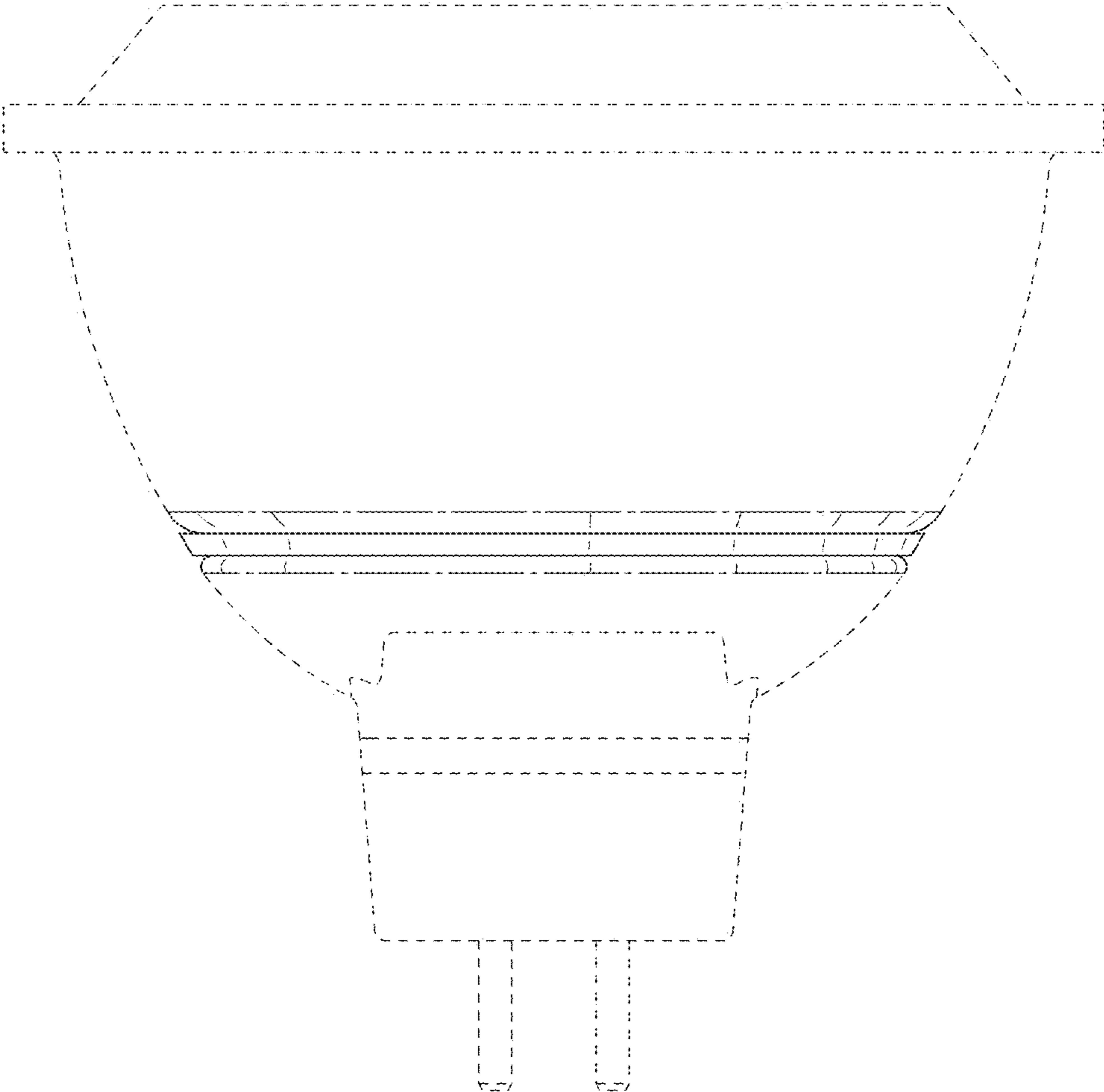


FIG.6

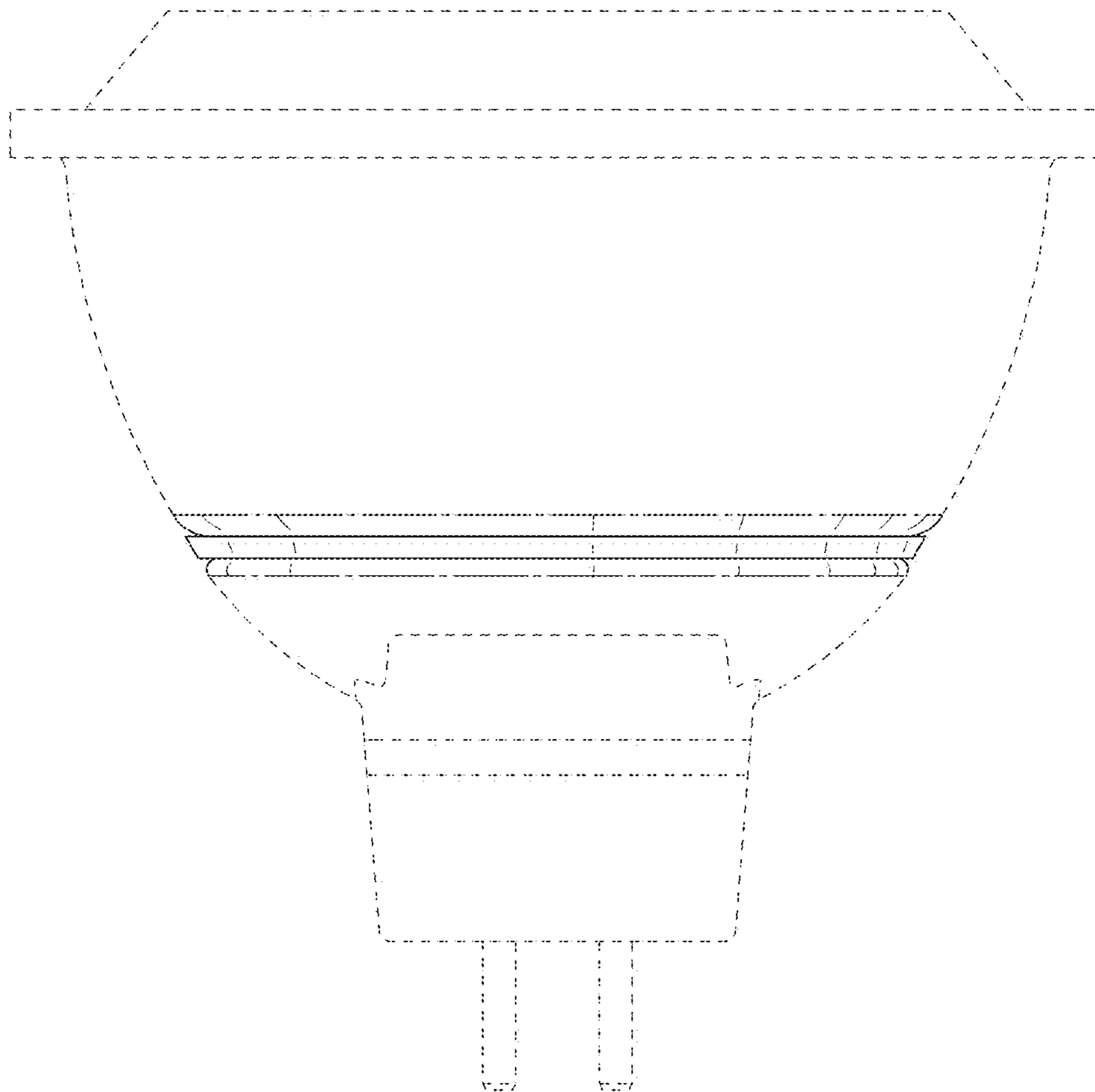




FIG. 7

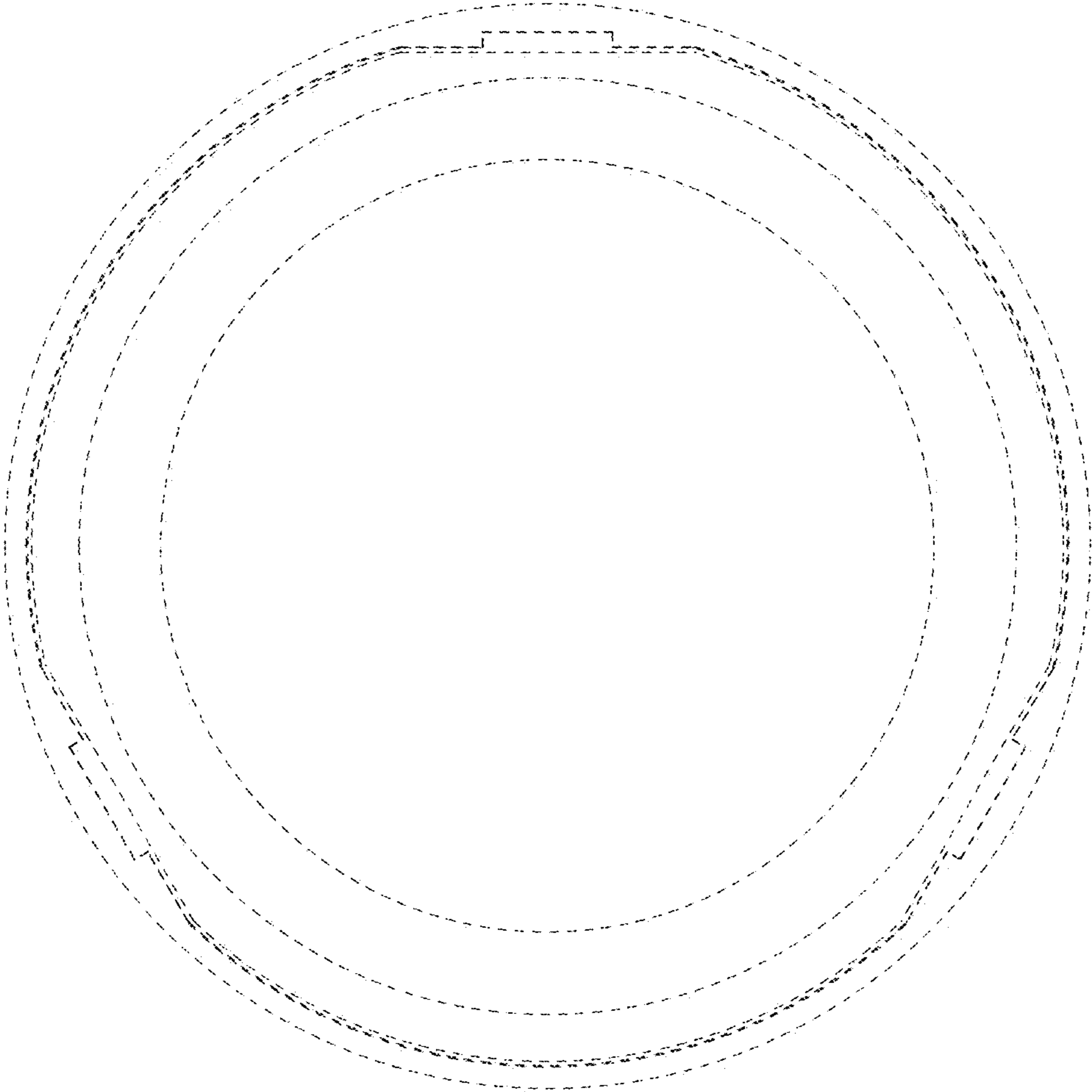


FIG.8

